

# Industrial bench vises

Heavy Duty



Simply better.

## Guaranteed Unbreakable drop forged moveable jaw, stationary jaw & base\* for the toughest jobs!

The BESSEY® industrial bench vise series sets new standards for durable work holding. Adjustable perfect parallel jaw design provides precision clamping. Sliding guides enhance protection against contamination. Large capacity drop forged pipe jaws are welded in place.

### 1 Durable

Guaranteed unbreakable under normal use

### 2 Top quality materials

90,000 PSI drop forged alloy steel construction on the moveable and stationary jaws as well as the base. Alloy steel spindle handle for fast, high force clamping.

### 3 Precise

Precision ground and induction hardened jaws and anvil

### 4 360 Rotation

Drop forged alloy steel base with locking handle for fast, easy, high force clamping

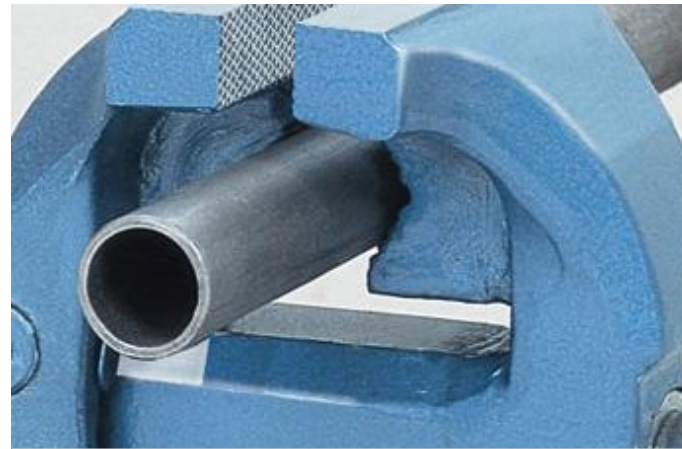
### 5 Made in Europe

Quality standards; ISO14001, ISO9001, Q1, TÜV SUED /GS



\*BESSEY® vises with drop forged components are guaranteed against breakage in normal use. This guarantee does not cover abuse, improper use, or handling and storage of the product. Never use cheater bars or pipes to extend the spindle handle. This will void the warranty and can cause injury.

	Jaw Width	Jaw Opening	Throat Depth	Pipe Capacity	Length	Width incl. swivel base	Height incl. swivel base	Anvil size	Approx. Weight
<b>BV-DF4SB</b>	4"	4 1/4"	2 3/8"	1/4 - 3"	12"	7"	5 1/2"	1 7/16" x 2"	14.00 lbs
<b>BV-DF5SB</b>	5"	6 1/2"	3"	1/4 - 3"	15"	8 1/4"	6 3/4"	2" x 2 3/4"	25.20 lbs
<b>BV-DF6SB</b>	6"	7"	4"	1/4 - 5"	19"	10"	8 3/4"	2 1/2" x 3 1/8"	50.00 lbs
<b>BV-DF8SB</b>	8"	10 1/2"	4 1/8"	1/4 - 6"	23 3/4"	10 3/4"	9 1/2"	3" x 3 3/8"	67.30 lbs

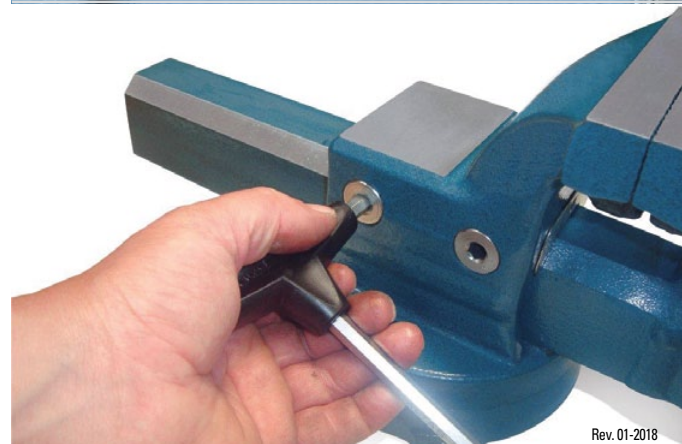


### Check out our vises in action!

Please reference our YouTube videos showing BESSEY® products in action - often with performed by renovation experts you're familiar with – like Kayleen McCabe of DIY Network's Rescue Renovation.

Search our video database at

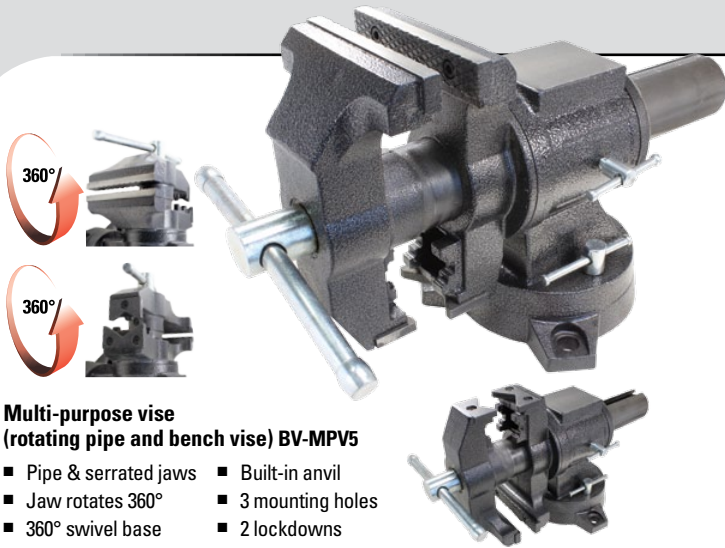
[www.youtube.com/user/BesseyTools](http://www.youtube.com/user/BesseyTools)



# BESSEY® Vises

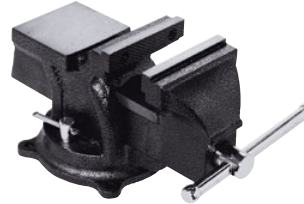


Simply better.



## Multi-purpose vise (rotating pipe and bench vise) BV-MPV5

- Pipe & serrated jaws
- Built-in anvil
- Jaw rotates 360°
- 3 mounting holes
- 360° swivel base
- 2 lockdowns



## Heavy duty bench vise, BV-HD40 & BV-HD60

- Serrated jaws
- 360° swivel base
- Built-in anvil
- 3 mounting holes
- 2 lockdowns



## Light duty bench vise, BV-HW45

- Serrated jaws
- 270° swivel base
- Built-in anvil
- 4 mounting holes
- 1 lockdown



## Drill press vise, BV-DP40

- Powder coated finish
- Machined spindle
- Grooved jaw for a secure grip
- Holes are elongated for easy fastening onto a drill press or work surface.



## Clamp-on vise, BV-C030

- Cast in pipe jaws
- Double steel guide bars
- Clamps on work surfaces up to 1.5"
- 3/4" pipe capacity



## Vacuum base vise BV-VB

- Lightweight & sturdy
- 360° swivel rotation head: release the locking ring to rotate, swivel and re-lock
- Includes non-slip rubber pads for vise jaws



## Multi-purpose vise jaws, BV-NVJ

- Fits any 3"-6" vise jaw
- Magnetic backing
- Great for holding wood, metal & tubing without marring



## Light duty wood vise, BV-WV65

- 6" jaws
- 6" opening

		Body Material	Jaw Width	Jaw Opening	Throat Depth	Pipe Capacity	Approx. Weight
BV-MPV5	Multi-purpose	gray cast	5"	5"	2 3/4"	2"	29 lbs
BV-HD40	General purpose	gray cast	4"	4"	2"	N/A	13 lbs
BV-HD60	General purpose	gray cast	6"	6"	2 3/8"	N/A	27 lbs
BV-HW45	Workshop	gray cast	4 1/2"	4"	1 3/4"	1"	11 lbs
BV-DP40	Drill press	gray cast	4"	4 1/2"	1"	N/A	7 lbs
BV-C030	Light duty clamp-on	gray cast	3"	3"	1"	3/4"	3.5 lbs
BV-VB	Vacuum base	aluminum	2 3/4"	2 3/4"	N/A	N/A	4.50 lbs
BV-NVJ	Multi-purpose	plastic	N/A	5 1/2"	N/A	N/A	0.50 lbs
BV-WV65	Light duty wood	gray cast	6"	6"	2 5/8"	N/A	8.50 lbs

Note: All vises should be securely fastened to a stable surface prior to use.

