

*If you have questions or comments, contact us.  
Pour toute question ou tout commentaire, nous contacter.  
Si tiene dudas o comentarios, contáctenos.*

**1-800-4-DEWALT • [www.dewalt.com](http://www.dewalt.com)**

**INSTRUCTION MANUAL  
GUIDE D'UTILISATION  
MANUAL DE INSTRUCCIONES**

INSTRUCTIVO DE OPERACIÓN, CENTROS DE SERVICIO Y PÓLIZA DE GARANTÍA. **ADVERTENCIA:** LÉASE ESTE INSTRUCTIVO ANTES DE USAR EL PRODUCTO.

---

# DEWALT®

---

**DCP580**

**3-1/4" (82 mm) Hand Planer**

**Raboteuse portative de 82 mm (3-1/4 po)**

**Cepilladora manual de 82 mm (3-1/4")**



## Definitions: Safety Guidelines

The definitions below describe the level of severity for each signal word. Please read the manual and pay attention to these symbols.

**⚠ DANGER:** Indicates an imminently hazardous situation which, if not avoided, **will** result in **death or serious injury**.

**⚠ WARNING:** Indicates a potentially hazardous situation which, if not avoided, **could** result in **death or serious injury**.

**⚠ CAUTION:** Indicates a potentially hazardous situation which, if not avoided, **may** result in **minor or moderate injury**.

**NOTICE:** Indicates a practice **not related to personal injury** which, if not avoided, **may** result in **property damage**.

IF YOU HAVE ANY QUESTIONS OR COMMENTS ABOUT THIS OR ANY DeWALT TOOL, CALL US TOLL FREE AT: **1-800-4-DeWALT (1-800-433-9258)**.



**WARNING:** To reduce the risk of injury, read the instruction manual.

## General Power Tool Safety Warnings



**WARNING!** Read all safety warnings and all instructions.

Failure to follow the warnings and instructions may result in electric shock, fire and/or serious injury.

## SAVE ALL WARNINGS AND INSTRUCTIONS FOR FUTURE REFERENCE

The term “power tool” in the warnings refers to your mains-operated (corded) power tool or battery-operated (cordless) power tool.

### 1) WORK AREA SAFETY

- a) **Keep work area clean and well lit.** Cluttered or dark areas invite accidents.
- b) **Do not operate power tools in explosive atmospheres, such as in the presence of flammable liquids, gases or dust.** Power tools create sparks which may ignite the dust or fumes.
- c) **Keep children and bystanders away while operating a power tool.** Distractions can cause you to lose control.

### 2) ELECTRICAL SAFETY

- a) **Power tool plugs must match the outlet. Never modify the plug in any way. Do not use any adapter plugs with earthed (grounded) power tools.** Unmodified plugs and matching outlets will reduce risk of electric shock.
- b) **Avoid body contact with earthed or grounded surfaces such as pipes, radiators, ranges and refrigerators.** There is an increased risk of electric shock if your body is earthed or grounded.
- c) **Do not expose power tools to rain or wet conditions.** Water entering a power tool will increase the risk of electric shock.
- d) **Do not abuse the cord. Never use the cord for carrying, pulling or unplugging the power tool. Keep cord away from heat, oil, sharp edges or moving parts.** Damaged or entangled cords increase the risk of electric shock.
- e) **When operating a power tool outdoors, use an extension cord suitable for outdoor use.** Use of a cord suitable for outdoor use reduces the risk of electric shock.
- f) **If operating a power tool in a damp location is unavoidable, use a ground fault circuit interrupter (GFCI) protected supply.** Use of a GFCI reduces the risk of electric shock.

### 3) PERSONAL SAFETY

- a) **Stay alert, watch what you are doing and use common sense when operating a power tool. Do not use a power tool while you are tired or under the influence of drugs, alcohol or medication.** A moment of inattention while operating power tools may result in serious personal injury.
- b) **Use personal protective equipment. Always wear eye protection.** Protective equipment such as dust mask, non-skid safety shoes, hard hat, or hearing protection used for appropriate conditions will reduce personal injuries.
- c) **Prevent unintentional starting. Ensure the switch is in the off position before connecting to power source and/ or battery pack, picking up or carrying the tool.** Carrying power tools with your finger on the switch or energizing power tools that have the switch on invites accidents.
- d) **Remove any adjusting key or wrench before turning the power tool on.** A wrench or a key left attached to a rotating part of the power tool may result in personal injury.
- e) **Do not overreach. Keep proper footing and balance at all times.** This enables better control of the power tool in unexpected situations.
- f) **Dress properly. Do not wear loose clothing or jewelry. Keep your hair, clothing and gloves away from moving parts.** Loose clothes, jewelry or long hair can be caught in moving parts.
- g) **If devices are provided for the connection of dust extraction and collection facilities, ensure these are connected and properly used.** Use of dust collection can reduce dust-related hazards.

### 4) POWER TOOL USE AND CARE

- a) **Do not force the power tool. Use the correct power tool for your application.** The correct power tool will do the job better and safer at the rate for which it was designed.

- b) **Do not use the power tool if the switch does not turn it on and off.** Any power tool that cannot be controlled with the switch is dangerous and must be repaired.
- c) **Disconnect the plug from the power source and/or the battery pack from the power tool before making any adjustments, changing accessories, or storing power tools.** Such preventive safety measures reduce the risk of starting the power tool accidentally.
- d) **Store idle power tools out of the reach of children and do not allow persons unfamiliar with the power tool or these instructions to operate the power tool.** Power tools are dangerous in the hands of untrained users.
- e) **Maintain power tools. Check for misalignment or binding of moving parts, breakage of parts and any other condition that may affect the power tool's operation. If damaged, have the power tool repaired before use.** Many accidents are caused by poorly maintained power tools.
- f) **Keep cutting tools sharp and clean.** Properly maintained cutting tools with sharp cutting edges are less likely to bind and are easier to control.
- g) **Use the power tool, accessories and tool bits, etc. in accordance with these instructions, taking into account the working conditions and the work to be performed.** Use of the power tool for operations different from those intended could result in a hazardous situation.

### 5) BATTERY TOOL USE AND CARE

- a) **Recharge only with the charger specified by the manufacturer.** A charger that is suitable for one type of battery pack may create a risk of fire when used with another battery pack.
- b) **Use power tools only with specifically designated battery packs.** Use of any other battery packs may create a risk of injury and fire.

- c) **When battery pack is not in use, keep it away from other metal objects, like paper clips, coins, keys, nails, screws, or other small metal objects, that can make a connection from one terminal to another.** Shorting the battery terminals together may cause burns or a fire.
- d) **Under abusive conditions, liquid may be ejected from the battery; avoid contact. If contact accidentally occurs, flush with water. If liquid contacts eyes, additionally seek medical help.** Liquid ejected from the battery may cause irritation or burns.

## 6) SERVICE

- a) **Have your power tool serviced by a qualified repair person using only identical replacement parts.** This will ensure that the safety of the power tool is maintained.

## Additional Safety Instructions for Planers

- **Wait for the cutter to stop before setting the tool down.** An exposed rotating cutter may engage the surface leading to possible loss of control and serious injury.
  - **Hold the power tool by insulated gripping surfaces only, because the cutter may contact hidden wiring.** Cutting a "live" wire may make exposed metal parts of the power tool "live" and could give the operator an electric shock.
  - **Use clamps or another practical way to secure and support the workpiece to a stable platform.** Holding the work by your hand or against the body leaves it unstable and may lead to loss of control.
  - Make certain that the switch is in the off position before installing the battery.
  - Be sure to switch OFF immediately if tool is jammed in work.
  - Be sure tool is set for correct depth before turning switch to ON.
  - Be sure to maintain tool with care. Follow instructions for lubricating and changing accessories.
  - Be sure that the blades are mounted as described in the instruction manual and check that all screws are firmly tightened before installing the battery.
  - Keep air vents unobstructed for proper motor cooling.
  - DO NOT lay tool down on shoe when the blades are exposed. This can chip the blades.
  - Keep side discharge chute unobstructed at all times.
  - Never reach under the tool for any reason unless it is turned off and BATTERY IS REMOVED. BLADES ARE EXPOSED AND EXTREMELY SHARP.
  - Use this tool for working with wood and wood products only.
  - Always make sure the work surface is free from nails and other foreign objects.
  - Always operate planer with two hands. Never operate without securely holding the front handle.
  - Planer blades are extremely sharp. Handle with great care.
  - Clean out your tool often, especially after heavy use.
  - **Air vents often cover moving parts and should be avoided.** Loose clothes, jewelry or long hair can be caught in moving parts.
- ▲ WARNING: ALWAYS** use safety glasses. Everyday eyeglasses are NOT safety glasses. Also use face or dust mask if cutting operation is dusty. ALWAYS WEAR CERTIFIED SAFETY EQUIPMENT:
- ANSI Z87.1 eye protection (CAN/CSA Z94.3),
  - ANSI S12.6 (S3.19) hearing protection,
  - NIOSH/OSHA/MSHA respiratory protection.
- ▲ WARNING:** Some dust created by power sanding, sawing, grinding, drilling, and other construction activities contains chemicals known to the State of California to cause cancer, birth defects or other reproductive harm. Some examples of these chemicals are:

- lead from lead-based paints,
- crystalline silica from bricks and cement and other masonry products, and
- arsenic and chromium from chemically-treated lumber.

Your risk from these exposures varies, depending on how often you do this type of work. To reduce your exposure to these chemicals: work in a well ventilated area, and work with approved safety equipment, such as those dust masks that are specially designed to filter out microscopic particles.

- **Avoid prolonged contact with dust from power sanding, sawing, grinding, drilling, and other construction activities. Wear protective clothing and wash exposed areas with soap and water.** Allowing dust to get into your mouth, eyes, or lay on the skin may promote absorption of harmful chemicals.




**▲ WARNING:** Use of this tool can generate and/or disperse dust, which may cause serious and permanent respiratory or other injury. Always use NIOSH/OSHA approved respiratory protection appropriate for the dust exposure. Direct particles away from face and body.

**▲ WARNING:** Always wear proper personal hearing protection that conforms to ANSI S12.6 (S3.19) during use. Under some conditions and duration of use, noise from this product may contribute to hearing loss.

**▲ CAUTION:** When not in use, place tool on its side on a stable surface where it will not cause a tripping or falling hazard. Some tools with large battery packs will stand upright on the battery pack but may be easily knocked over.

- The label on your tool may include the following symbols. The symbols and their definitions are as follows:
 

V..... volts	A..... amperes
Hz ..... hertz	W..... watts
min..... minutes	~ or AC..... alternating current
=== or DC.. direct current	

	..... Class I Construction (grounded)	 or AC/DC ... alternating or direct current
	..... Class II Construction (double insulated)	$n_0$ ..... no load speed
.../min.....	per minute	$n$ ..... rated speed
BPM.....	beats per minute	⊕..... earthing terminal
IPM.....	impacts per minute	▲..... safety alert symbol
RPM.....	revolutions per minute	⚠..... visible radiation
sfp/m.....	surface feet per minute	
SPM.....	strokes per minute	

## Important Safety Instructions for All Battery Packs

When ordering replacement battery packs, be sure to include the catalog number and voltage. Consult the chart at the end of this manual for compatibility of chargers and battery packs.

The battery pack is not fully charged out of the carton. Before using the battery pack and charger, read the safety instructions below and then follow charging procedures outlined.

### READ ALL INSTRUCTIONS

- **Do not charge or use the battery pack in explosive atmospheres, such as in the presence of flammable liquids, gases or dust.** Inserting or removing the battery pack from the charger may ignite the dust or fumes.
- **NEVER force the battery pack into the charger. DO NOT modify the battery pack in any way to fit into a non-compatible charger as battery pack may rupture causing**

**serious personal injury.** Consult the chart at the end of this manual for compatibility of batteries and chargers.

- Charge the battery packs only in designated DEWALT chargers.
- **DO NOT** splash or immerse in water or other liquids.
- **Do not store or use the tool and battery pack in locations where the temperature may reach or exceed 104 °F (40 °C) (such as outside sheds or metal buildings in summer).** For best life store battery packs in a cool, dry location.

**NOTE: Do not store the battery packs in a tool with the trigger switch locked on. Never tape the trigger switch in the ON position.**

**▲WARNING:** Fire hazard. Never attempt to open the battery pack for any reason. If the battery pack case is cracked or damaged, do not insert into the charger. Do not crush, drop or damage the battery pack. Do not use a battery pack or charger that has received a sharp blow, been dropped, run over or damaged in any way (e.g., pierced with a nail, hit with a hammer, stepped on). Damaged battery packs should be returned to the service center for recycling.

**▲WARNING:** Fire hazard. Do not store or carry the battery pack so that metal objects can contact exposed battery terminals. For example, do not place the battery pack in aprons, pockets, tool boxes, product kit boxes, drawers, etc., with loose nails, screws, keys, etc. **Transporting batteries can possibly cause fires if the battery terminals inadvertently come in contact with conductive materials such as keys, coins, hand tools and the like.** The US Department of Transportation Hazardous Material Regulations (HMR) actually prohibit transporting batteries in commerce or on airplanes (e.g., packed in suitcases and carry-on luggage) UNLESS they are properly protected from short circuits. So when transporting individual battery packs, make sure that the battery terminals are protected and well insulated from materials that could contact them and cause a short circuit.

## SPECIFIC SAFETY INSTRUCTIONS FOR LITHIUM ION (Li-Ion)

- **Do not incinerate the battery pack even if it is severely damaged or is completely worn out.** The battery pack can explode in a fire. Toxic fumes and materials are created when lithium ion battery packs are burned.
- **If battery contents come into contact with the skin, immediately wash area with mild soap and water.** If battery liquid gets into the eye, rinse water over the open eye for 15 minutes or until irritation ceases. If medical attention is needed, the battery electrolyte is composed of a mixture of liquid organic carbonates and lithium salts.
- **Contents of opened battery cells may cause respiratory irritation.** Provide fresh air. If symptoms persist, seek medical attention.

**▲WARNING:** Burn hazard. Battery liquid may be flammable if exposed to spark or flame.

## The RBRC® Seal

The RBRC® (Rechargeable Battery Recycling Corporation) Seal on the nickel cadmium, nickel metal hydride or lithium-ion batteries (or battery packs) indicates that the costs to recycle these batteries (or battery packs) at the end of their useful life have already been paid by DEWALT. In some areas, it is illegal to place spent nickel cadmium, nickel metal hydride or lithium-ion batteries in the trash or municipal solid waste stream and the Call 2 Recycle® program provides an environmentally conscious alternative.

Call 2 Recycle, Inc., in cooperation with DEWALT and other battery users, has established the program in the United States and Canada to facilitate the collection of spent nickel cadmium, nickel metal hydride or lithium-ion batteries. Help protect our environment and conserve natural resources by returning the spent nickel cadmium, nickel metal hydride or lithium-ion batteries to an authorized DEWALT



service center or to your local retailer for recycling. You may also contact your local recycling center for information on where to drop off the spent battery. RBRC® is a registered trademark of Call 2 Recycle, Inc.

## **Important Safety Instructions for All Battery Chargers**

**SAVE THESE INSTRUCTIONS:** This manual contains important safety and operating instructions for battery chargers.

- Before using the charger, read all instructions and cautionary markings on the charger, battery pack and product using the battery pack.

**▲WARNING:** Shock hazard. Do not allow any liquid to get inside the charger. Electric shock may result.

**▲CAUTION:** Burn hazard. To reduce the risk of injury, charge only DeWALT rechargeable battery packs. Other types of batteries may overheat and burst resulting in personal injury and property damage.

**NOTICE:** Under certain conditions, with the charger plugged into the power supply, the charger can be shorted by foreign material. Foreign materials of a conductive nature, such as, but not limited to, grinding dust, metal chips, steel wool, aluminum foil or any buildup of metallic particles should be kept away from the charger cavities. Always unplug the charger from the power supply when there is no battery pack in the cavity. Unplug the charger before attempting to clean.

- **DO NOT attempt to charge the battery pack with any chargers other than the ones in this manual.** The charger and battery pack are specifically designed to work together.
- **These chargers are not intended for any uses other than charging DEWALT rechargeable batteries.** Any other uses may result in risk of fire, electric shock or electrocution.

- **Do not expose the charger to rain or snow.**
- **Pull by the plug rather than the cord when disconnecting the charger.** This will reduce the risk of damage to the electric plug and cord.
- **Make sure that the cord is located so that it will not be stepped on, tripped over or otherwise subjected to damage or stress.**
- **Do not use an extension cord unless it is absolutely necessary.** Use of improper extension cord could result in risk of fire, electric shock or electrocution.
- **When operating a charger outdoors, always provide a dry location and use an extension cord suitable for outdoor use.** Use of a cord suitable for outdoor use reduces the risk of electric shock.
- **An extension cord must have adequate wire size (AWG or American Wire Gauge) for safety.** The smaller the gauge number of the wire, the greater the capacity of the cable, that is, 16 gauge has more capacity than 18 gauge. An undersized cord will cause a drop in line voltage resulting in loss of power and overheating. When using more than one extension to make up the total length, be sure each individual extension contains at least the minimum wire size. The following table shows the correct size to use depending on cord length and nameplate ampere rating. If in doubt, use the next heavier gauge. The lower the gauge number, the heavier the cord.



Minimum Gauge for Cord Sets						
Ampere Rating		Volts	Total Length of Cord in Feet (meters)			
		120 V	25 (7.6)	50 (15.2)	100 (30.5)	150 (45.7)
		240 V	50 (15.2)	100 (30.5)	200 (61.0)	300 (91.4)
More Than	Not More Than	AWG				
0	6		18	16	16	14
6	10		18	16	14	12
10	12		16	16	14	12
12	16		14	12	Not Recommended	

- **Do not place any object on top of the charger or place the charger on a soft surface that might block the ventilation slots and result in excessive internal heat.** Place the charger in a position away from any heat source. The charger is ventilated through slots in the top and the bottom of the housing.
- **Do not operate the charger with a damaged cord or plug.**
- **Do not operate the charger if it has received a sharp blow, been dropped or otherwise damaged in any way.** Take it to an authorized service center.
- **Do not disassemble the charger; take it to an authorized service center when service or repair is required.** Incorrect reassembly may result in a risk of electric shock, electrocution or fire.
- **Disconnect the charger from the outlet before attempting any cleaning. This will reduce the risk of electric shock.** Removing the battery pack will not reduce this risk.
- **NEVER** attempt to connect 2 chargers together.

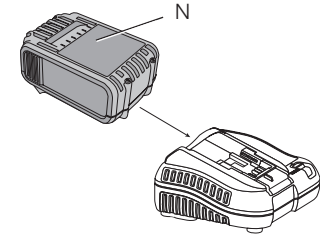
- **The charger is designed to operate on standard 120 V household electrical power. Do not attempt to use it on any other voltage.** This does not apply to the vehicular charger.

## Chargers

Your tool uses a DEWALT charger. Be sure to read all safety instructions before using your charger. Consult the chart at the end of this manual for compatibility of chargers and battery packs.





### Charging Procedure (Fig. 1)

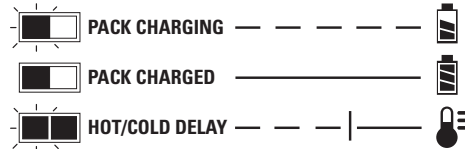
1. Plug the charger into an appropriate outlet before inserting the battery pack.
2. Insert the battery pack (N) into the charger, as shown in Figure 1, making sure the pack is fully seated in charger. The red (charging) light will blink continuously, indicating that the charging process has started.
3. The completion of charge will be indicated by the red light remaining ON continuously. The pack is fully charged and may be used at this time or left in the charger.



### Indicator Light Operation

DCB101, DCB102, DCB103

-  **PACK CHARGING** — — — — —
-  **PACK CHARGED** —————
-  **HOT/COLD DELAY** —●—●—●—●—●
-  **PROBLEM PACK OR CHARGER** ●●●●●●●●●●

**DCB107, DCB112, DCB113, DCB115****Charge Indicators**

This charger is designed to detect certain problems that can arise. Problems are indicated by the red light flashing at a fast rate. If this occurs, re-insert the battery pack into the charger. If the problem persists, try a different battery pack to determine if the charger is working properly. If the new pack charges correctly, then the original pack is defective and should be returned to a service center or other collection site for recycling. If the new battery pack elicits the same trouble indication as the original, have the charger and the battery pack tested at an authorized service center.

**HOT/COLD DELAY****DCB101, DCB102, DCB103**

These chargers have a hot/cold delay feature. When the charger detects a battery that is too hot or too cold, it automatically starts a delay, suspending charging. The red light flashes long, then short while in the hot/cold delay mode.

Once the battery has reached an optimum temperature, the charger will automatically resume the charging procedure. This feature ensures maximum battery life.

**DCB107, DCB112, DCB113, DCB115**

These chargers have a hot/cold delay feature. When the charger detects a battery that is too hot or too cold, it automatically starts a delay, suspending charging. The red light will continue to blink, but a yellow indicator light will be illuminated during this suspension.

Once the battery has reached an optimum temperature, the yellow light will turn off and the charger will automatically resume the charging procedure. This feature ensures maximum battery life.

**LEAVING THE BATTERY PACK IN THE CHARGER**

The charger and battery pack can be left connected with the charge indicator showing Pack Charged.

**WEAK BATTERY PACKS:** Weak batteries will continue to function but should not be expected to perform as much work.

**FAULTY BATTERY PACKS****DCB101, DCB102, DCB103**

These chargers will not charge a faulty battery pack. The charger will indicate faulty battery pack by refusing to light or by displaying problem pack or charger.

**NOTE:** This could also mean a problem with a charger.

**DCB107, DCB112, DCB113, DCB115**

These chargers will not charge a faulty battery pack. The charger will indicate faulty battery pack by refusing to light.

**NOTE:** This could also mean a problem with a charger.

**Wall Mounting****DCB107, DCB112, DCB113, DCB115**

These chargers are designed to be wall mountable or to sit upright on a table or work surface.

If wall mounting, locate the charger within reach of an electrical outlet. Mount the charger securely using drywall screws at least 1" (25.4 mm) long, screwed into wood to an optimal depth leaving approximately 7/32" (5.5 mm) of the screw exposed.

**Important Charging Notes**

1. Longest life and best performance can be obtained if the battery pack is charged when the air temperature is between 65 °F and

75 °F (18°–24 °C). DO NOT charge the battery pack in an air temperature below +40 °F (+4.5 °C), or above +104 °F (+40 °C). This is important and will prevent serious damage to the battery pack.

2. The charger and battery pack may become warm to the touch while charging. This is a normal condition, and does not indicate a problem. To facilitate the cooling of the battery pack after use, avoid placing the charger or battery pack in a warm environment such as in a metal shed or an uninsulated trailer.
3. A cold battery pack will charge at about half the rate of a warm battery pack. The battery pack will charge at that slower rate throughout the entire charging cycle and will not return to maximum charge rate even if the battery pack warms.
4. If the battery pack does not charge properly:
  - a. Check operation of receptacle by plugging in a lamp or other appliance;
  - b. Check to see if receptacle is connected to a light switch which turns power off when you turn out the lights;
  - c. Move the charger and battery pack to a location where the surrounding air temperature is approximately 65 °F–75 °F (18°–24 °C);
  - d. If charging problems persist, take the tool, battery pack and charger to your local service center.
5. The battery pack should be recharged when it fails to produce sufficient power on jobs which were easily done previously. DO NOT CONTINUE to use under these conditions. Follow the charging procedure. You may also charge a partially used pack whenever you desire with no adverse effect on the battery pack.
6. Foreign materials of a conductive nature such as, but not limited to, grinding dust, metal chips, steel wool, aluminum foil, or any buildup of metallic particles should be kept away from charger cavities. Always unplug the charger from the power supply when

there is no battery pack in the cavity. Unplug the charger before attempting to clean.

7. Do not freeze or immerse the charger in water or any other liquid.  
**▲ WARNING:** *Shock hazard. Don't allow any liquid to get inside the charger. Electric shock may result.*

**▲ WARNING:** *Burn hazard. Do not submerge the battery pack in any liquid or allow any liquid to enter the battery pack. Never attempt to open the battery pack for any reason. If the plastic housing of the battery pack breaks or cracks, return to a service center for recycling.*

### **Storage Recommendations**

1. The best storage place is one that is cool and dry, away from direct sunlight and excess heat or cold.
2. For long storage, it is recommended to store a fully charged battery pack in a cool dry place out of the charger for optimal results.

**NOTE:** Battery packs should not be stored completely depleted of charge. The battery pack will need to be recharged before use.

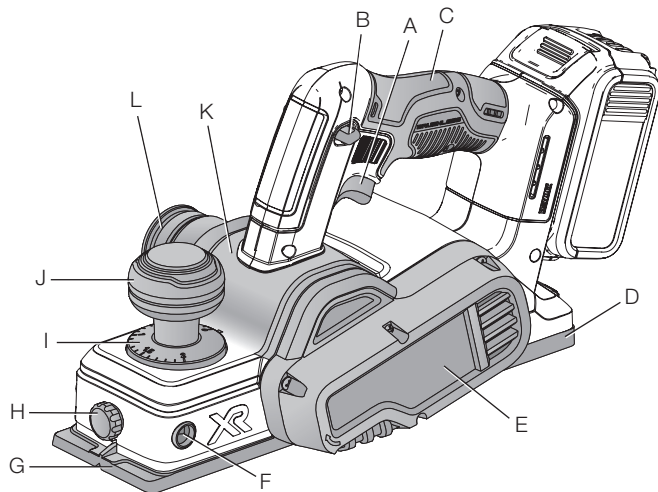
### **SAVE THESE INSTRUCTIONS FOR FUTURE USE**

### **COMPONENTS (FIG. 2)**

**▲ WARNING:** *Never modify the power tool or any part of it. Damage or personal injury could result.*

- |                          |   |
|--------------------------|---|
| A. Trigger switch        | H. Rabbet fence tightening knob                   |
| B. Lock-off button       | I. Planing depth graduation                       |
| C. Main handle           | J. Planing depth adjustment knob/<br>front handle |
| D. Rear shoe             | K. Chip discharge chute                           |
| E. Drive belt cover      | L. Dust adapter                                   |
| F. Hole for rabbet fence | M. Blade storage knob                             |
| G. Front shoe            |   |

FIG. 2



### INTENDED USE

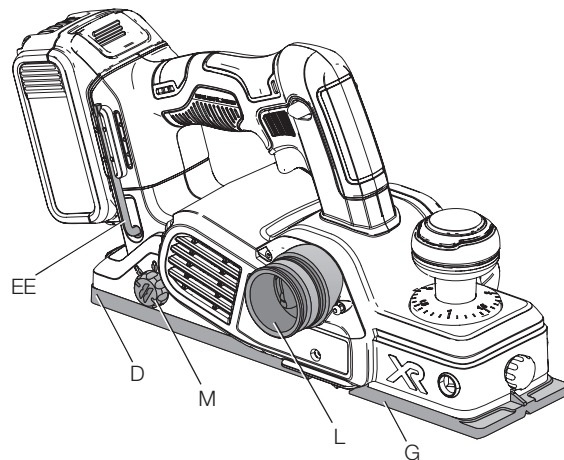
This planer is designed for professional planing applications of wood and wood products.

**DO NOT** use under wet conditions or in presence of flammable liquids or gases.

This planer is a professional power tool. **DO NOT** let children come into contact with the tool. Supervision is required when inexperienced operators use this tool.

### OPERATION

**▲WARNING:** To reduce the risk of serious personal injury, turn tool off and remove the battery pack before making any adjustments or removing/installing attachments or accessories. An accidental start-up can cause injury.



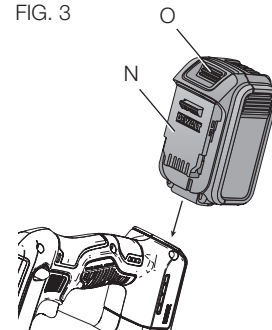
### Installing and Removing the Battery Pack (Fig. 3)

**NOTE:** For best results, make sure your battery pack is fully charged.

To install the battery pack (N) into the tool handle, align the battery pack with the rails inside the tool's handle and slide it into the handle until the battery pack is firmly seated in the tool and ensure that it does not disengage.

To remove the battery pack from the tool, press the release button (O) and firmly pull the battery pack out of the

FIG. 3



tool handle. Insert it into the charger as described in the charger section of this manual.

Squeeze the tool trigger for three seconds to dissipate the slight electric charge that may still be in the tool. The worklight may come on for a brief moment.

### FUEL GAUGE BATTERY PACKS (FIG. 4)

Some DEWALT battery packs include a fuel gauge which consists of three green LED lights that indicate the level of charge remaining in the battery pack.

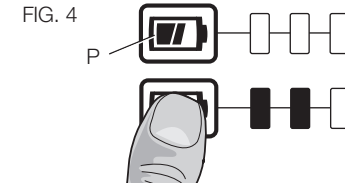
The fuel gauge is an indication of approximate levels of charge remaining in the battery pack according to the following indicators:



To actuate the fuel gauge, press and hold the fuel gauge button (P). A combination of the three green LED lights will illuminate designating the level of charge left. When the level of charge in the battery is below the usable limit, the fuel gauge will not illuminate and the battery will need to be recharged.

**NOTE:** The fuel gauge is only an indication of the charge left on the battery pack. It does not indicate tool functionality and is subject to variation based on product components, temperature and end-user application.

For more information regarding fuel gauge battery packs, please call 1-800-4-DEWALT (1-800-433-9258) or visit our website [www.dewalt.com](http://www.dewalt.com).



### Trigger Switch (Fig. 2)

**⚠ WARNING:** This tool has no provision to lock the switch in the ON position and should never be locked ON by any other means.

Release the trigger switch lock-off button (B) by pressing the button.

**⚠ CAUTION:** Allow the tool to reach full speed before touching tool to the work surface. Lift the tool from the work surface before turning the tool off.

To start the planer, depress the trigger switch (A).

To turn the planer off, release the trigger switch.

### Adjusting the Planing Depth (Fig. 2)

To adjust the depth of cut, turn the planing depth adjustment knob (J). Each click is equal to 0.1 mm of depth up to the maximum depth of cut of approximately 5/64" (2.0 mm).

It is recommended that test cuts be made in scrap wood after each re-adjustment to make sure that the desired amount of wood is being removed by the planer. Several shallow passes (rather than one deep one) will produce a smoother finish.

## Planing (Fig. 2, 5-7)

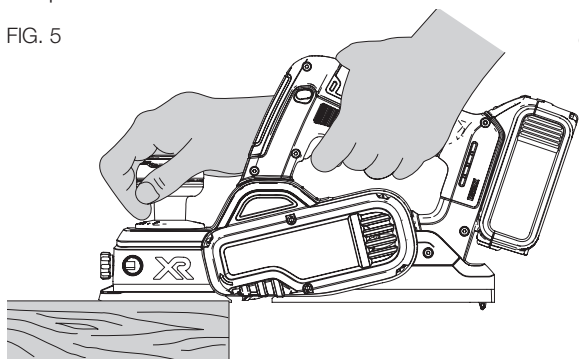
**⚠CAUTION:** Allow the tool to reach full speed before touching tool to the work surface. Lift the tool from the work surface before turning the tool off.

Hold the planer in the correct position with one hand on the front handle (J) and the other hand on the main handle (C) as shown in Figure 2. Place the front shoe (G) on the surface to be planed, making certain that the cutting blades are not touching the surface. Push down firmly on the front handle of the planer so that the front shoe is ABSOLUTELY FLAT on the work surface. Squeeze the trigger switch and allow the motor to reach full speed before touching the planer blades to the work surface.

Move the tool slowly into the work and maintain downward pressure to keep the planer flat. Be particularly careful to keep the tool flat at the beginning and the end of the work surface.

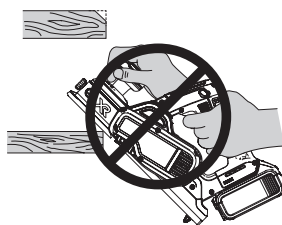
**Planing Tip:** For a smoother appearance, fasten a piece of scrap wood to the end of the piece you are planing. Don't stop planing until the cutting blades of the planer are past your workpiece and into the scrap material.

FIG. 5



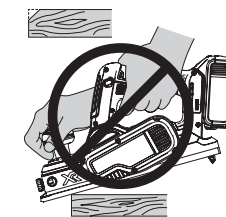
CORRECT

FIG. 6



INCORRECT

FIG. 7



## Rabbet Fence (Fig. 8, 9)

**⚠WARNING:** Allow the tool to reach full speed before touching tool to the work surface. Lift the tool from the work surface before turning the tool off.

The rabbet fence (Q) is used for optimum tool control on narrow workpieces and can be installed on either side of your planer. The planer makes rabbet cuts up to 23/64" (9 mm).

### TO INSTALL RABBET FENCE

1. Loosen the rabbet fence tightening knob (H).
2. Slide the crossbar on the rabbet fence (Q) into the hole (F) on the side of the planer as shown in Figure 8.
3. Set the width of cut by adjusting the edge guide across the width of the shoe.
4. Securely tighten rabbet fence tightening knob (H).

**NOTE:** The rabbet fence should be below the planer when installed correctly as shown in Figure 9.

### TO MAKE A RABBET CUT

1. Turn the rabbet fence tightening knob (H) to adjust the desired width of cut.
2. Make several cuts until the desired depth is reached.

FIG. 8

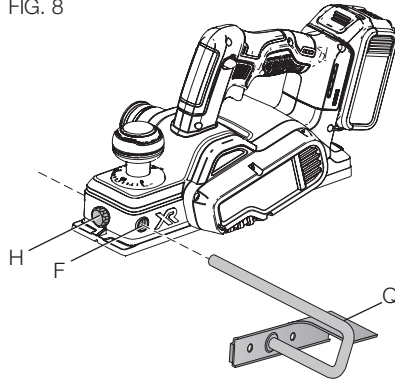
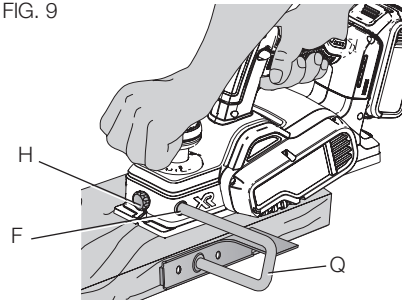


FIG. 9



**NOTE:** It will be necessary to make quite a few cuts for most rabbit applications.

### To Change Blades (Fig. 10, 11)

**▲WARNING:** To reduce the risk of serious personal injury, turn tool off and remove the battery pack before making any

**adjustments or removing/installing attachments or accessories.**  
An accidental start-up can cause injury.

**▲CAUTION:** Planer blades are extremely sharp. Handle with great care.

The planer is capable of using high-speed steel and carbide blades. Be sure to check the planer to verify which blade it is fitted with.

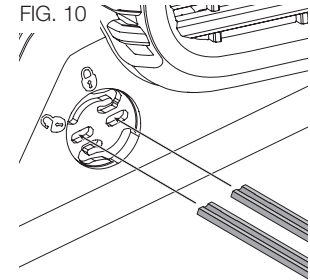
#### BLADE STORAGE (FIG. 10)

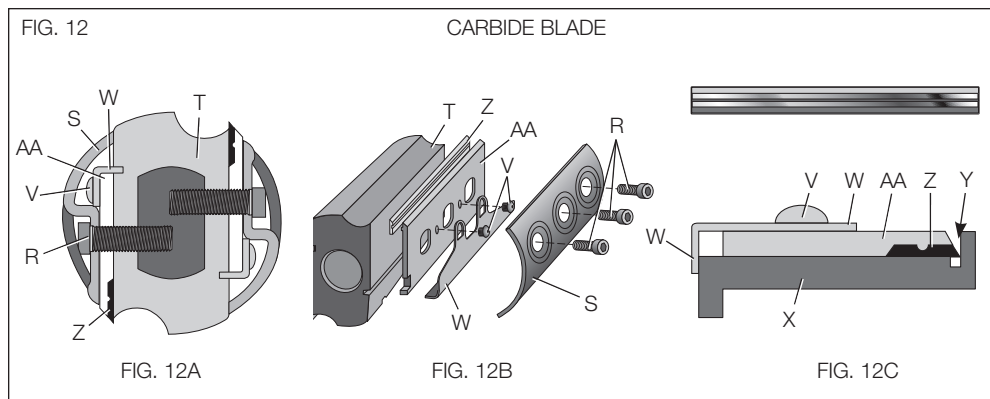
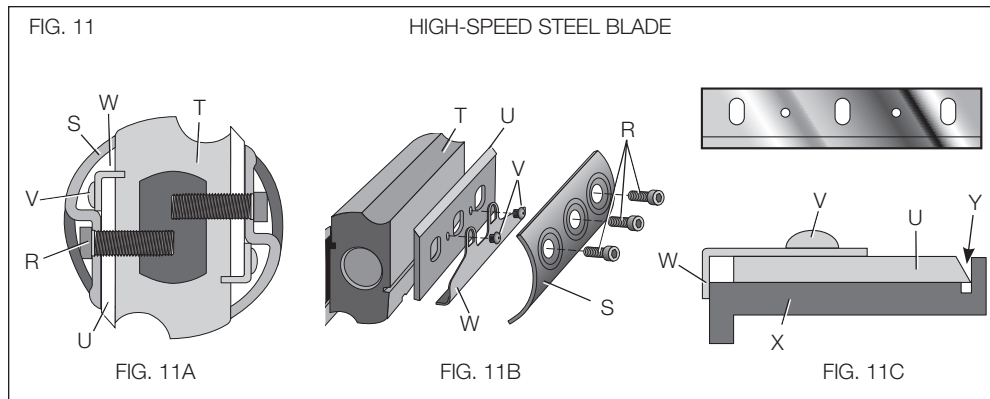
Your planer is equipped with blade storage for two additional blades. To store or remove additional blades, turn the blade storage knob (M) counter clockwise to open.

#### HIGH-SPEED STEEL BLADES (FIG. 11)

1. To Remove Blade from Planer (Fig. 11B)
  - a. Loosen and remove the three star head screws (R) with the T25 star head key (EE) provided. Remove the drum cover (S) from the drum (T).
  - b. Remove the guide bar/high-speed steel blade assembly (U, V, W).
2. To Adjust Blade Using Gauge Plate (provided with tool) (Fig. 11C)
  - a. Place the guide bar/high-speed steel blade assembly on the gauge plate (X) with the cutting edge of the high-speed steel blade flush against the gauge plate inside wall (Y). The heel of the guide bar (W) will overlap the end of the gauge plate (X).
  - b. Loosen the two cross-shaped screws (V) with a screwdriver.
  - c. Simultaneously hold the blade edge (U) against the gauge plate inside wall (Y) and the heel of the guide bar (W) against the back edge of the gauge plate. Securely tighten the cross shaped screws (V).

FIG. 10





### 3. To Reinstall Blade (Fig. 10A, 10B)

- Cautiously remove the adjusted guide bar/high-speed steel blade assembly from the gauge plate (X) and place the heel of the guide bar (W) into the groove in the drum (T).
- Set the drum cover (S) over the adjusted guide bar/high-speed steel blade assembly and securely tighten the three star head screws (R) to the drum.

4. Repeat procedure for the other blade.

**NOTE:** In order to use high-speed steel blades with this planer, the sharpening holder (BB) is required to sharpen high-speed steel blades and is available at additional cost from your local DEWALT authorized service center.

### REVERSIBLE CARBIDE BLADES (FIG. 12)

#### 1. To Remove Blade from Planer (Fig. 12B)

- Loosen and remove the three star head screws (R) with the T25 star key (EE) provided. Remove the drum cover (S) from the drum (T).
- Remove the blade carrier/guide bar assembly (V, W, Z). Carefully remove the carbide blade (Z).

#### 2. To Adjust Blade Using Gauge Plate (provided with tool) (Fig. 12C)

- Cautiously place the sharp edge of the carbide blade (Z) on the gauge



plate (X) with the grooved side of the carbide blade facing up. Either edge of the reversible carbide blade can be set flush against the gauge plate inside wall (Y).

- b. Place the blade carrier/guide bar assembly on the blade so that the rib on the blade carrier (AA) fits into the groove on the carbide blade (Z). The heel of the guide bar (W) will over-hang the end of the gauge plate (X).
  - c. Loosen the two cross-shaped screws (V) with a screwdriver.
  - d. Simultaneously hold the blade carrier (AA) and blade (Z) against the gauge plate inside wall (Y) while holding the heel of the guide bar (W) against the back edge of the gauge plate. Securely tighten the cross shaped screws (V).
3. **To Replace the Blade (Fig. 12A, 12B)**
- a. Remove the adjusted blade carrier/guide bar assembly from the gauge plate (X) and place the heel of the guide bar (W) into the groove on the drum (T).
  - b. Place the drum cover (S) over the blade carrier/guide bar assembly. Loosely screw the three star head screws (R) into the drum (T) so that there is a small gap between the drum and the blade carrier (AA).
  - c. Slide the carbide blade between the drum (T) and the blade carrier (AA) from the side so that the rib on the blade carrier sets into the groove in the blade.
  - d. Center the carbide blade (Z) under the blade carrier (AA) making sure the blade is clear of the tool housing on both sides.
  - e. Securely tighten the three star head screws (R) to the drum.
4. Repeat procedure for the other blade.

**NOTE:** If your planer is not fitted with carbide blades, the blade carrier (AA) required for carbide blades is available at additional cost from your local DEWALT authorized service center.

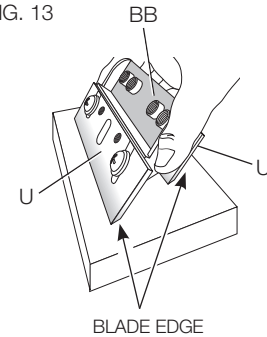
## Sharpening High-Speed Steel Blades (Fig. 13)

**CAUTION:** Planer blades are extremely sharp. Handle with great care.

**NOTE:** Carbide blades cannot be sharpened.

1. Fasten the blades to the sharpening holder (BB). Make sure both blade edges (U) are facing the same direction.
2. Place the blade edges so they rest flat on the grinding stone (not included).
3. Firmly grip the sharpening holder and move it back and forward to sharpen the blades (U).

FIG. 13

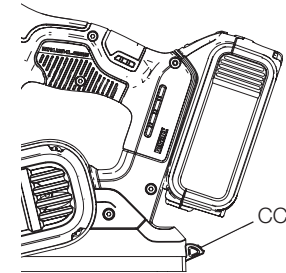


## Kickstand (Fig. 14)

Your planer is equipped with a kickstand (CC) that automatically lowers when the tool is lifted from the work surface allowing the planer to set on the work surface without the blade touching it. When planing, the kickstand raises as the tool is pushed forward through the material. If the kickstand obstructs special planing work, it can be stored and locked out of the way.

**CAUTION:** Be sure that the kickstand is correctly extended when setting the planer on a work surface.

FIG. 14



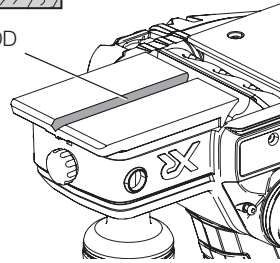
## Edge Chamfering (Fig. 15)

Your planer has a precision machined chamfering groove (DD) in the front shoe for planing along a corner of the wood. The width of the groove is 4.5 to 8 mm. It's a good idea to try a piece of scrap wood before doing finish work.

FIG. 15



DD



## Dust Extraction (Fig. 2, 16)

Your planer has a built-in dust extraction port (L) which allows either a dust bag or a shop vacuum to be connected. The built-in outlet utilizes the DEWALT AirLock connection system making it compatible with the DEWALT dust extractor.

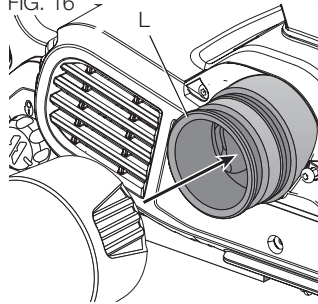
### TO ATTACH THE DUST BAG

While holding the planer, slide the dust bag collar onto the dust extraction port (L) as shown in Figure 16.

### TO EMPTY THE DUST BAG

1. While holding the planer, remove the dust bag by sliding it off the dust extraction port (L).
2. Gently shake or tap the dust bag to empty.
3. Reattach the dust bag back onto the outlet.

FIG. 16



You may notice that all the dust will not come free from the bag. This will not affect planing performance but will reduce the planer's dust collection efficiency. To restore your planer's dust collection efficiency, depress the spring inside the dust bag when you are emptying it and tap it on the side of the trash can or dust receptacle.

**NOTE:** A DEWALT AirLock Adapter (DWW9000) can be purchased separately to connect a shop vacuum or DEWALT dust extractor to your planer.

**▲CAUTION:** Never operate these tools unless the dust collector is in place. Planing dust exhaust may create a breathing hazard.

## MAINTENANCE

**▲WARNING:** To reduce the risk of serious personal injury, turn tool off and remove the battery pack before making any adjustments or removing/installing attachments or accessories. An accidental start-up can cause injury.

## Cleaning

**▲WARNING:** Blow dirt and dust out of all air vents with clean, dry air at least once a week. To minimize the risk of eye injury, always wear ANSI Z87.1 approved eye protection when performing this.

**▲WARNING:** Never use solvents or other harsh chemicals for cleaning the non-metallic parts of the tool. These chemicals may weaken the plastic materials used in these parts. Use a cloth dampened only with water and mild soap. Never let any liquid get inside the tool; never immerse any part of the tool into a liquid.

## CHARGER CLEANING INSTRUCTIONS

**▲WARNING:** Shock hazard. Disconnect the charger from the AC outlet before cleaning. Dirt and grease may be removed from the exterior of the charger using a cloth or soft non-metallic brush. Do not use water or any cleaning solutions.

## CHIP DISCHARGE CHUTE CLEANING INSTRUCTIONS

If the unit is clogged with dust or chips, use a non-metallic stick to push the obstruction out of the chip discharge chute (K). Never stick your finger into the chute.

## Accessories

**▲WARNING:** *Since accessories, other than those offered by DEWALT, have not been tested with this product, use of such accessories with this tool could be hazardous. To reduce the risk of injury, only DEWALT recommended accessories should be used with this product.*

Recommended accessories for use with your tool are available at extra cost from your local dealer or authorized service center. If you need assistance in locating any accessory, please contact DEWALT Industrial Tool Co., 701 East Joppa Road, Towson, MD 21286, call 1-800-4-DEWALT (1-800-433-9258) or visit our website: [www.dewalt.com](http://www.dewalt.com).

## Repairs

The charger and battery pack are not serviceable.

To assure product SAFETY and RELIABILITY, repairs, maintenance and adjustment should be performed by a DEWALT factory service center, a DEWALT authorized service center or other qualified service personnel. Always use identical replacement parts.

## Register Online

Thank you for your purchase. Register your product now for:

- **WARRANTY SERVICE:** Registering your product will help you obtain more efficient warranty service in case there is a problem with your product.
- **CONFIRMATION OF OWNERSHIP:** In case of an insurance loss, such as fire, flood or theft, your registration of ownership will serve as your proof of purchase.

## Three Year Limited Warranty

DEWALT will repair, without charge, any defects due to faulty materials or workmanship for three years from the date of purchase. This warranty does not cover part failure due to normal wear or tool abuse. For further detail of warranty coverage and warranty repair information, visit [www.dewalt.com](http://www.dewalt.com) or call 1-800-4-DEWALT (1-800-433-9258). This warranty does not apply to accessories or damage caused where repairs have been made or attempted by others. This warranty gives you specific legal rights and you may have other rights which vary in certain states or provinces.

In addition to the warranty, DEWALT tools are covered by our:

### 1 YEAR FREE SERVICE

DEWALT will maintain the tool and replace worn parts caused by normal use, for free, any time during the first year after purchase.

### 2 YEARS FREE SERVICE ON DEWALT BATTERY PACKS

DC9071, DC9091, DC9096, DC9280, DC9360, DC9180, DCB120, DCB127, DCB201, DCB203, DCB203BT, DCB207

### 3 YEARS FREE SERVICE ON DEWALT BATTERY PACKS

DCB200, DCB204, DCB204BT, DCB205

### DEWALT BATTERY PACKS

Product warranty voided if the battery pack is tampered with in any way. DEWALT is not responsible for any injury caused by tampering and may prosecute warranty fraud to the fullest extent permitted by law.

### 90 DAY MONEY BACK GUARANTEE

If you are not completely satisfied with the performance of your DEWALT Power Tool, Laser, or Nailer for any reason, you can return it within 90 days from the date of purchase with a receipt for a full refund – no questions asked.

**LATIN AMERICA:** This warranty does not apply to products sold in Latin America. For products sold in Latin America, see country specific warranty information contained in the packaging, call the local company or see website for warranty information.

**FREE WARNING LABEL REPLACEMENT:** If your warning labels become illegible or are missing, call 1-800-4-DEWALT (1-800-433-9258) for a free replacement.

**DCP580** 2mm PLANER

20V == (Max)

**⚠️ WARNING** TO REDUCE THE RISK OF INJURY, USER MUST READ INSTRUCTION MANUAL, KEEP HANDS ON FRONT HANDLE AND SWITCH HANDLE. KEEP HANDS CLEAR OF BLADES BELOW. BEFORE OPERATING, BE SURE CUTTER BLADES ARE SECURE. ALWAYS USE PROPER EYE AND RESPIRATORY PROTECTION. USE DEWALT BATTERIES.

SER.

**⚠️ ADVERTENCIA**

PARA EL MANEJO SEGURO LEA EL MANUAL DE INSTRUCCIONES. MANTENGA LAS MANOS EN EL MANGO DELANTERO Y EL MANGO DEL INTERRUPTOR, MANTENGA LAS MANOS ALEJADAS DE LAS HOJAS DEBAJO. ANTES DE USAR LA HERRAMIENTA, COMPRUEBE QUE LAS HOJAS DE CORTE ESTEN BIEN INSTALADAS. UTILIZAR CON BATERÍAS DEWALT. UTILIZAR PROTECCIÓN OCULAR Y RESPIRATORIA.

**⚠️ AVERTISSEMENT**

À TITRE PRÉVENTIF, LIRE LE GUIDE, MAINTENIR LES MAINS SUR LA POIGNÉE AVANT ET LA POIGNÉE DE L'INTERRUPTEUR, MAINTENIR LES MAINS ÉLOIGNÉES DE LA LAME DESSOUS. AVANT TOUTE UTILISATION, S'ASSURER QUE LES ORGANES DE COUPE SONT SOIGNEUSEMENT ARRIMÉS. UTILISER AVEC LES BLOCS-PILES DEWALT. UTILISER DES PROTECTIONS OCULAIRE ET RESPIRATOIRE.

DEWALT INDUSTRIAL TOOL CO., TOWSON, MD 21286 USA  
FOR SERVICE INFORMATION CALL: 1-800-4-DEWALT [www.DEWALT.com](http://www.DEWALT.com)

### Définitions : lignes directrices en matière de sécurité

Les définitions ci-dessous décrivent le niveau de danger pour chaque mot-indicateur employé. Lire le mode d'emploi et porter une attention particulière à ces symboles.

**▲ DANGER** : indique une situation dangereuse imminente qui, si elle n'est pas évitée, **entraînera la mort ou des blessures graves**.

**▲ AVERTISSEMENT** : indique une situation potentiellement dangereuse qui, si elle n'est pas évitée, **pourrait entraîner la mort ou des blessures graves**.

**▲ ATTENTION** : indique une situation potentiellement dangereuse qui, si elle n'est pas évitée, **pourrait entraîner des blessures légères ou modérées**.

**AVIS** : indique une pratique ne posant **aucun risque de dommages corporels** mais qui par contre, si rien n'est fait pour l'éviter, **pourrait** poser des risques de **dommages matériels**.

POUR TOUTE QUESTION OU REMARQUE AU SUJET DE CET OUTIL OU DE TOUT AUTRE OUTIL DEWALT, COMPOSEZ LE NUMÉRO SANS FRAIS : +1-800-4-DEWALT (+1 800 433-9258).



**AVERTISSEMENT** : afin de réduire le risque de blessures, lire le mode d'emploi de l'outil.

### Avertissements de sécurité généraux pour les outils électriques

**▲ AVERTISSEMENT!** Lire tous les avertissements de sécurité et toutes les Directives. Le non-respect des avertissements et des directives pourrait se solder par un choc électrique, un incendie et/ou une blessure grave.

## CONSERVER TOUS LES AVERTISSEMENTS ET TOUTES LES DIRECTIVES POUR UN USAGE ULTÉRIEUR

Le terme « outil électrique » cité dans les avertissements se rapporte à votre outil électrique à alimentation sur secteur (avec fil) ou à piles (sans fil).

### 1) SÉCURITÉ DU LIEU DE TRAVAIL

- Tenir l'aire de travail propre et bien éclairée.** Les lieux encombrés ou sombres sont propices aux accidents.
- Ne pas faire fonctionner d'outils électriques dans un milieu déflagrant, tel qu'en présence de liquides, de gaz ou de poussières inflammables.** Les outils électriques produisent des étincelles qui pourraient enflammer la poussière ou les vapeurs.
- Éloigner les enfants et les personnes à proximité pendant l'utilisation d'un outil électrique.** Une distraction pourrait en faire perdre la maîtrise à l'utilisateur.

### 2) SÉCURITÉ EN MATIÈRE D'ÉLECTRICITÉ

- Les fiches des outils électriques doivent correspondre à la prise. Ne jamais modifier la fiche d'aucune façon. Ne jamais utiliser de fiche d'adaptation avec un outil électrique mis à la terre.** Le risque de choc électrique sera réduit par l'utilisation de fiches non modifiées correspondant à la prise.
- Éviter tout contact physique avec des surfaces mises à la terre comme des tuyaux, des radiateurs, des cuisinières et des réfrigérateurs.** Le risque de décharge électrique est plus élevé si votre corps est mis à la terre.
- Ne pas exposer les outils électriques à la pluie ou à l'humidité.** La pénétration de l'eau dans un outil électrique augmente le risque de choc électrique.

- d) **Ne pas utiliser le cordon de façon abusive. Ne jamais utiliser le cordon pour transporter, tirer ou débrancher un outil électrique. Tenir le cordon éloigné de la chaleur, de l'huile, des bords tranchants et des pièces mobiles.** Les cordons d'alimentation endommagés ou enchevêtrés augmentent le risque de décharge électrique.
- e) **Pour l'utilisation d'un outil électrique à l'extérieur, se servir d'une rallonge convenant à cette application.** L'utilisation d'une rallonge conçue pour l'extérieur réduira les risques de décharge électrique.
- f) **S'il est impossible d'éviter l'utilisation d'un outil électrique dans un endroit humide, brancher l'outil dans une prise ou sur un circuit d'alimentation dotés d'un disjoncteur de fuite à la terre (GFCI).** L'utilisation de ce type de disjoncteur réduit les risques de choc électrique.

### 3) SÉCURITÉ PERSONNELLE

- a) **Être vigilant, surveiller le travail effectué et faire preuve de jugement lorsqu'un outil électrique est utilisé. Ne pas utiliser d'outil électrique en cas de fatigue ou sous l'influence de drogues, d'alcool ou de médicaments.** Un simple moment d'inattention en utilisant un outil électrique peut entraîner des blessures corporelles graves.
- b) **Utiliser des équipements de protection individuelle. Toujours porter une protection oculaire.** L'utilisation d'équipements de protection comme un masque antipoussière, des chaussures antidérapantes, un casque de sécurité ou des protecteurs auditifs lorsque la situation le requiert réduira les risques de blessures corporelles.
- c) **Empêcher les démarrages intempestifs. S'assurer que l'interrupteur se trouve à la position d'arrêt avant de relier l'outil à une source d'alimentation et/ou d'insérer un bloc-piles, de ramasser ou de transporter l'outil.** Transporter un outil électrique alors que le doigt repose sur

l'interrupteur ou brancher un outil électrique dont l'interrupteur est à la position de marche risque de provoquer un accident.

- d) **Retirer toute clé de réglage ou clé avant de mettre l'outil électrique en marche.** Une clé ou une clé de réglage attachée à une partie pivotante de l'outil électrique peut provoquer des blessures corporelles.
- e) **Ne pas trop tendre les bras. Conserver son équilibre en tout temps.** Cela permet de mieux maîtriser l'outil électrique dans les situations imprévues.
- f) **S'habiller de manière appropriée. Ne pas porter de vêtements amples ni de bijoux. Garder les cheveux, les vêtements et les gants à l'écart des pièces mobiles.** Les vêtements amples, les bijoux ou les cheveux longs risquent de rester coincés dans les pièces mobiles.
- g) **Si des composants sont fournis pour le raccordement de dispositifs de dé poussiérage et de ramassage, s'assurer que ceux-ci sont bien raccordés et utilisés.** L'utilisation d'un dispositif de dé poussiérage peut réduire les dangers engendrés par les poussières.

### 4) UTILISATION ET ENTRETIEN D'UN OUTIL ÉLECTRIQUE

- a) **Ne pas forcer un outil électrique. Utiliser l'outil électrique approprié à l'application.** L'outil électrique approprié effectuera un meilleur travail, de façon plus sûre et à la vitesse pour laquelle il a été conçu.
- b) **Ne pas utiliser un outil électrique dont l'interrupteur est défectueux.** Tout outil électrique dont l'interrupteur est défectueux est dangereux et doit être réparé.
- c) **Débrancher la fiche de la source d'alimentation et/ou du bloc-piles de l'outil électrique avant de faire tout réglage ou changement d'accessoire ou avant de ranger l'outil.** Ces mesures préventives réduisent les risques de démarrage accidentel de l'outil électrique.

- d) **Ranger les outils électriques hors de la portée des enfants et ne permettre à aucune personne n'étant pas familière avec un outil électrique ou son mode d'emploi d'utiliser cet outil.** Les outils électriques deviennent dangereux entre les mains d'utilisateurs inexpérimentés.
- e) **Entretien des outils électriques. Vérifier si les pièces mobiles sont mal alignées ou coincées, si des pièces sont brisées ou présentent toute autre condition susceptible de nuire au bon fonctionnement de l'outil électrique. En cas de dommage, faire réparer l'outil électrique avant toute nouvelle utilisation.** Beaucoup d'accidents sont causés par des outils électriques mal entretenus.
- f) **S'assurer que les outils de coupe sont aiguisés et propres.** Les outils de coupe bien entretenus et affûtés sont moins susceptibles de se coincer et sont plus faciles à maîtriser.
- g) **Utiliser l'outil électrique, les accessoires, les forets, etc. conformément aux présentes directives en tenant compte des conditions de travail et du travail à effectuer.** L'utilisation d'un outil électrique pour toute opération autre que celle pour laquelle il a été conçu est dangereuse.

## 5) UTILISATION ET ENTRETIEN DU BLOC-PILES

- a) **Ne recharger l'outil qu'au moyen du chargeur précisé par le fabricant.** L'utilisation d'un chargeur qui convient à un type de bloc-piles risque de provoquer un incendie s'il est utilisé avec un autre type de bloc-piles.
- b) **Utiliser les outils électriques uniquement avec les blocs-piles conçus à cet effet.** L'utilisation de tout autre bloc-piles risque de causer des blessures ou un incendie.
- c) **Lorsque le bloc-piles n'est pas utilisé, le tenir éloigné des objets métalliques, notamment des trombones, de la monnaie, des clés, des clous, des vis ou autres petits objets métalliques qui peuvent établir une connexion**

**entre les deux bornes.** Le court-circuit des bornes du bloc-piles risque de provoquer des brûlures ou un incendie.

- d) **En cas d'utilisation abusive, le liquide peut gicler hors du bloc-piles; éviter tout contact avec ce liquide. Si un contact accidentel se produit, laver à grande eau. Si le liquide entre en contact avec les yeux, obtenir également des soins médicaux.** Le liquide qui gicle hors du bloc-piles peut provoquer des irritations ou des brûlures.

## 6) RÉPARATION

- a) **Faire réparer l'outil électrique par un réparateur professionnel en n'utilisant que des pièces de rechange identiques.** Cela permettra de maintenir une utilisation sécuritaire de l'outil électrique.

## Consignes additionnelles de sécurité propres aux raboteuses

- **Attendre l'arrêt complet de l'organe de coupe avant de poser l'outil sur une surface quelconque.** Un organe de coupe en rotation à nu pourrait attaquer la surface et causer la perte de contrôle de l'outil et des dommages corporels graves.
- **Tenir l'outil électrique uniquement par ses surfaces de prise isolées. L'organe de coupe pourrait entrer en contact avec des fils cachés.** Couper un fil sous tension pourra mettre les parties métalliques exposées de l'outil sous tension et électrocuter l'utilisateur.
- **Utiliser des serre-joints, ou tout autre moyen, pour fixer et immobiliser le matériau sur une surface stable.** Tenir la pièce à la main ou contre son corps offre une stabilité insuffisante qui pourrait vous en faire perdre le contrôle.
- **S'assurer de bien mettre l'interrupteur en position d'arrêt avant de retirer ou d'installer le bloc-piles.**

- S'assurer de mettre immédiatement l'interrupteur en position d'ARRÊT si l'outil s'enraye.
- S'assurer que l'outil est réglé à la bonne profondeur avant de le mettre en MARCHÉ.
- S'assurer d'effectuer une bonne maintenance de l'outil. Suivre toute instruction relative à la lubrification et au changement d'accessoire.
- S'assurer que l'organe de coupe a bien été monté suivant les instructions du manuel, et que toutes les vis sur l'outil sont bien serrées avant d'installer le bloc-piles.
- Maintenir tout évent libre de toute obstruction pour assurer le refroidissement correct du moteur.
- NE PAS poser l'outil sur son patin lorsque ses lames sont à nu. Ces dernières pourraient subir des dommages.
- Maintenir systématiquement tout orifice latéral d'éjection libre de toute obstruction.
- Ne jamais passer sa main sous l'outil à moins qu'il ne soit à l'arrêt et que son BLOC-PILES AIT ÉTÉ RETIRÉ. LES LAMES SONT À NU ET EXTRÊMEMENT COUPANTES.
- N'utiliser cet outil que pour travailler le bois ou tout produit du bois.
- S'assurer systématiquement que la surface de travail ne comporte ni clou ni objets étrangers.
- Utiliser systématiquement la raboteuse à deux mains. Ne jamais utiliser l'outil sans tenir fermement sa poignée avant.
- L'organe de coupe de la raboteuse est extrêmement acéré. Utiliser la raboteuse avec la plus grande vigilance.
- Nettoyer votre outil souvent, surtout après un usage intensif.
- **Prendre des précautions à proximité des événements, car ils cachent des pièces mobiles.** Vêtements amples, bijoux ou cheveux longs risquent de rester coincés dans ces pièces mobiles.

**▲AVERTISSEMENT :** porter **SYSTEMATIQUEMENT** des lunettes de protection. Les lunettes courantes NE sont PAS des lunettes de protection. Utiliser aussi un masque antipoussières si la découpe doit en produire beaucoup. **PORTER SYSTEMATIQUEMENT UN ÉQUIPEMENT DE SÉCURITÉ HOMOLOGUÉ.**

- Protection oculaire ANSI Z87.1 (CAN/CSA Z94.3),
- Protection auditive ANSI S12.6 (S3.19),
- Protection des voies respiratoires NIOSH/OSHA/MSHA.

**▲AVERTISSEMENT :** les scies, meules, ponceuses, perceuses ou autres outils de construction peuvent produire des poussières contenant des produits chimiques reconnus par l'État californien pour causer cancers, malformations congénitales ou être nocifs au système reproducteur. Voici quelques exemples de ces produits chimiques :

- Le plomb dans les peintures à base de plomb,
- La silice cristallisée dans les briques et le ciment, ou autres produits de maçonnerie, et
- L'arsenic et le chrome dans le bois ayant subi un traitement chimique.

Le risque associé à de telles expositions varie selon la fréquence à laquelle on effectue ces travaux. Pour réduire toute exposition à ces produits : travailler dans un endroit bien aéré, en utilisant du matériel de sécurité homologué, tel un masque antipoussières spécialement conçu pour filtrer les particules microscopiques.

- **limiter toute exposition prolongée avec les poussières provenant du ponçage, sciage, meulage, perçage ou toute autre activité de construction. Porter des vêtements de protection et nettoyer à l'eau savonneuse les parties du corps exposées.** Le fait de laisser la poussière pénétrer dans la bouche, les yeux ou la peau peut favoriser l'absorption de produits chimiques dangereux.



**⚠AVERTISSEMENT** : cet outil peut produire et/ou répandre de la poussière susceptible de causer des dommages sérieux et permanents au système respiratoire. Utiliser systématiquement un appareil de protection des voies respiratoires homologué par le NIOSH ou l'OSHA. Diriger les particules dans le sens opposé au visage et au corps.

**⚠AVERTISSEMENT** : pendant l'utilisation, porter systématiquement une protection auditive individuelle adéquate homologuée ANSI S12.6 (S3.19). Sous certaines conditions et suivant la durée d'utilisation, le bruit émanant de ce produit pourrait contribuer à une perte de l'acuité auditive.

**⚠ATTENTION** : après utilisation, ranger l'outil sur son côté, sur une surface stable, là où il ne pourra ni faire trébucher ni faire chuter quelqu'un. Certains outils équipés d'un large bloc-piles peuvent tenir à la verticale sur celui-ci, mais manquent alors de stabilité.

• L'étiquette apposée sur votre outil peut inclure les symboles suivants. Les symboles et leur définition sont indiqués ci-après :

V..... volts	A..... ampères
Hz..... hertz	W..... watts
min..... minutes	~ ou AC..... courant alternatif
== ou DC... courant continu	⌚ ou AC/DC... courant alternatif
Ⓛ..... classe I fabrication (mis à la terre)	no..... vitesse à vide
Ⓜ..... fabrication classe II (double isolation)	n..... vitesse nominale
.../min..... par minute	⊕..... borne de terre
IPM..... impacts par minute	⚠..... symbole d'avertissement
	SPM (FPM)..... fréquence par minute

BPM..... battements par minute	r/min..... tours par minute
sfpm..... pieds linéaires par minute (plpm)	⚠..... rayonnement visible

## Consignes importantes de sécurité propres à tous les blocs-piles

Pour commander un bloc-piles de rechange, s'assurer d'inclure son numéro de catalogue et sa tension. Consulter le tableau en dernière page de ce manuel pour connaître les compatibilités entre chargeurs et blocs-piles.

Le bloc-piles n'est pas totalement chargé d'usine. Avant d'utiliser le bloc-piles et le chargeur, lire les consignes de sécurité ci-dessous.

### LIRE TOUTES LES CONSIGNES

- **Ne pas recharger ou utiliser un bloc-piles en milieu déflagrant, en présence, par exemple, de poussières, gaz ou liquides inflammables.** Le fait d'insérer ou retirer un bloc-piles de son chargeur pourrait causer l'inflammation de poussières ou d'émanations.
- **NE JAMAIS forcer l'insertion d'un bloc-piles dans un chargeur. NE MODIFIER UN BLOC-PILES D'AUCUNE façon pour le faire rentrer dans un chargeur incompatible, car il pourrait se briser et causer des dommages corporels graves.** Consulter le tableau en dernière page de ce manuel pour connaître les compatibilités entre blocs-piles et chargeurs.
- Recharger les blocs-piles exclusivement dans des chargeurs DEWALT.
- **NE PAS** éclabousser le bloc-piles ou l'immerger dans l'eau ou dans tout autre liquide.
- **Ne pas entreposer ou utiliser l'appareil et le bloc-piles en présence de températures ambiantes pouvant excéder**

**40 °C (104 °F) (comme dans des hangars ou des bâtiments métalliques l'été).** Pour préserver leur durée de vie, entreposer les blocs-piles dans un endroit frais et sec.

**REMARQUE : ne pas mettre un bloc-piles dans un outil dont la gâchette est verrouillée en position de marche. Ne jamais bloquer l'interrupteur en position de MARCHE.**

**⚠️AVERTISSEMENT : risques d'incendie.** Ne jamais tenter d'ouvrir le bloc-piles pour quelque raison que ce soit. Si le boîtier du bloc-piles est fissuré ou endommagé, ne pas l'insérer dans un chargeur. Ne pas écraser, laisser tomber, ou endommager les blocs-piles. Ne pas utiliser un bloc-piles ou un chargeur qui a reçu un choc violent, ou si l'appareil est tombé, a été écrasé ou endommagé de quelque façon que ce soit (p. ex. percé par un clou, frappé d'un coup de marteau, piétiné). Les blocs-piles endommagés doivent être renvoyés à un centre de réparation pour y être recyclés.

**⚠️AVERTISSEMENT : risques d'incendie. Au moment de ranger ou transporter le bloc-piles, s'assurer qu'aucun objet métallique n'entre en contact avec les bornes à découvert du bloc-piles.** Par exemple, éviter de placer un bloc-piles dans un tablier, une poche, une boîte à outils ou un tiroir, etc. contenant des objets tels que des clous, des vis, des clés, etc. **Le fait de transporter des blocs-piles comporte des risques d'incendie, car les bornes des piles pourraient entrer, par inadvertance, en contact avec des objets conducteurs, tels que : clés, pièces de monnaie, outils ou autres.** La réglementation sur les produits dangereux (Hazardous Material Regulations) du département américain des transports interdit, en fait, le transport des piles pour le commerce ou dans les avions (ex : dans les bagages enregistrés ou à main) À MOINS qu'elles ne soient correctement protégées contre tout court-circuit. Aussi, lors du transport individuel de blocs-piles, s'assurer que leurs bornes sont bien protégées et isolées de tout matériau pouvant entrer en contact avec elles et provoquer un court-circuit.

## CONSIGNES DE SÉCURITÉ PROPRES AUX PILES AU LITHIUM-ION (Li-Ion)

- **Ne pas incinérer le bloc-piles même s'il est sévèrement endommagé ou complètement usagé,** car il pourrait exploser et causer un incendie. Pendant l'incinération des blocs-piles au lithium-ion, des vapeurs et matières toxiques sont dégagées.
- **En cas de contact du liquide de la pile avec la peau, rincer immédiatement au savon doux et à l'eau.** En cas de contact oculaire, rincer l'œil ouvert à l'eau claire une quinzaine de minutes ou jusqu'à ce que l'irritation cesse. Si des soins médicaux s'avéraient nécessaires, noter que l'électrolyte de la pile est composé d'un mélange de carbonates organiques liquides et de sels de lithium.
- **Le contenu des cellules d'une pile ouverte peut causer une irritation respiratoire.** En cas d'inhalation, exposer l'individu à l'air libre. Si les symptômes persistent, obconsulter un médecin.

**⚠️AVERTISSEMENT : risques de brûlure.** Le liquide de la pile peut s'enflammer s'il est exposé à des étincelles ou à une flamme.

## Le sceau SRPRC®

Le sceau SRPRC® (Société de recyclage des piles rechargeables du Canada) apposé sur une pile au nickel-cadmium, à hydrure métallique de nickel ou au lithium-ion (ou un bloc-piles) indique que les coûts de recyclage de ces derniers en fin d'utilisation ont déjà été réglés par DEWALT. Dans certaines régions, la mise au rebut ou aux ordures municipales des piles au nickel-cadmium, à l'hydrure métallique de nickel ou au lithium-ion, est illégale ; le programme de l'Appel à Recycler® constitue donc une solution pratique et écologique. Appel à Recycler Canada, Inc., en collaboration avec DEWALT et d'autres utilisateurs de piles, a mis sur pied de programme aux États-Unis et au Canada pour faciliter la collecte des piles au nickel-cadmium, à l'hydrure métallique de nickel ou au lithium-ion



usagées. Aidez-nous à protéger l'environnement et à conserver nos ressources naturelles en renvoyant les piles au nickel-cadmium, à l'hydrure métallique de nickel ou au lithium-ion usagées à un centre de réparation autorisé DEWALT ou chez votre détaillant afin qu'elles y soient recyclées. On peut en outre se renseigner auprès d'un centre de recyclage local pour connaître d'autres sites les acceptant. SRPRC® est une marque déposée de l'Appel à Recycler Canada, Inc.

## **Directives de sécurité importantes propres à tous les chargeurs de piles**

**CONSERVER CES INSTRUCTIONS** : ce manuel contient des directives de sécurité et d'utilisation importantes propres aux chargeurs de piles.

- Avant d'utiliser le chargeur, lire toute consigne et tout avertissement apposés sur le chargeur, le bloc-piles et le produit utilisant le bloc-piles.

**⚠AVERTISSEMENT** : risques de chocs électriques. Ne laisser aucun liquide pénétrer dans le chargeur, des chocs électriques pourraient en résulter.

**⚠ATTENTION** : risques de brûlure. Pour réduire tout risque de dommages corporels, ne recharger que des blocs-piles rechargeables DEWALT. Tout autre type de pile pourrait exploser et causer des dommages corporels et matériels.

**AVIS** : sous certaines conditions, lorsque le chargeur est connecté au bloc d'alimentation, des matériaux étrangers pourraient court-circuiter le chargeur. Les corps étrangers conducteurs tels que (mais pas limité à) poussières de rectification, débris métalliques, laine d'acier, feuilles d'aluminium, ou toute accumulation de particules métalliques doivent être maintenus à distance des orifices du chargeur. Débrancher systématiquement le chargeur lorsque le bloc-piles n'y est pas inséré. Débrancher systématiquement le chargeur avant tout entretien.

- **NE PAS tenter de charger un bloc-piles avec des chargeurs autres que ceux décrits dans ce manuel.** Le chargeur et son bloc-piles ont été conçus tout spécialement pour fonctionner ensemble.
- **Ces chargeurs n'ont pas été conçus pour une utilisation autre que recharger les blocs-piles rechargeables DEWALT.** Toute autre utilisation comporte des risques d'incendie, de chocs électriques ou d'électrocution
- **Protéger le chargeur de la pluie ou de la neige.**
- **Tirer sur la fiche plutôt que sur le cordon pour débrancher le chargeur.** Cela permet de réduire les risques d'endommager la fiche ou le cordon d'alimentation.
- **S'assurer que le cordon est protégé de manière à ce que personne ne marche ni ne trébuche dessus, ou à ce qu'il ne soit ni endommagé ni soumis à aucune tension.**
- **N'utiliser une rallonge qu'en cas de nécessité absolue.** L'utilisation d'une rallonge inadéquate comporte des risques d'incendie, de chocs électriques ou d'électrocution.
- **Pour utiliser un chargeur à l'extérieur, le placer dans un endroit sec et utiliser une rallonge conçue pour l'extérieur.** L'utilisation d'une rallonge conçue pour l'extérieur réduira les risques de décharge électrique.
- **Pour la sécurité de l'utilisateur, utiliser une rallonge de calibre adéquat (AWG, American Wire Gauge [calibrage américain normalisé des fils électriques]).** Plus le calibre est petit, et plus sa capacité est grande. Un calibre 16, par exemple, a une capacité supérieure à un calibre 18. Une rallonge de calibre inférieur causera une chute de tension qui entraînera perte de puissance et surchauffe. Si plus d'une rallonge est utilisée pour obtenir une certaine longueur, s'assurer que chaque rallonge présente au moins le calibre de fil minimum. Le tableau ci-dessous illustre les calibres à utiliser selon la longueur de rallonge et l'intensité nominale indiquée

sur la plaque signalétique. En cas de doute, utiliser le calibre suivant. Plus le calibre est petit, plus la rallonge peut supporter de courant.

Calibres minimaux des rallonges						
Intensité (en ampères)		volts	Longueur totale de cordon en mètres (pieds)			
		120 V	7,6 (25)	15,2 (50)	30,5 (100)	45,7 (150)
		240 V	15,2 (50)	30,5 (100)	61,0 (200)	91,4 (300)
Supérieur à	Inférieur à	AWG				
0	6		18	16	16	14
6	10		18	16	14	12
10	12		16	16	14	12
12	16		14	12	Non recommandé	

- **Ne poser aucun objet sur le chargeur. Ne pas mettre le chargeur sur une surface molle qui pourrait en bloquer la ventilation et provoquer une surchauffe interne.** Éloigner le chargeur de toute source de chaleur. Le chargeur dispose d'orifices d'aération sur le dessus et le dessous du boîtier.
- **Ne pas le faire fonctionner avec un cordon d'alimentation ou une fiche endommagée.**
- **Ne pas utiliser le chargeur s'il a reçu un coup, fait une chute ou a été endommagé de quelque façon que ce soit.** Le ramener dans un centre de réparation agréé.
- **Ne pas démonter le chargeur. Pour tout service ou réparation, le rapporter dans un centre de réparation agréé.** Le fait de le réassembler de façon incorrecte comporte des risques de chocs électriques, d'électrocution et d'incendie.

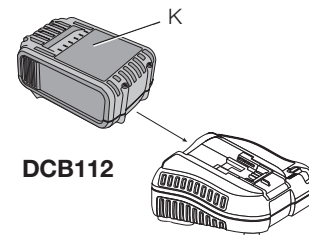
- **Débrancher le chargeur du secteur avant tout entretien. Cela réduira tout risque de chocs électriques.** Le fait de retirer le bloc-piles ne réduira pas ces risques.
- **NE JAMAIS tenter de connecter 2 chargeurs ensemble.**
- **Le chargeur a été conçu pour être alimenté en courant électrique domestique standard de 120 volts. Ne pas tenter de l'utiliser avec toute autre tension.** Cela ne s'applique pas aux chargeurs de postes mobiles.

## Chargeurs

L'outil utilise un chargeur DEWALT. S'assurer de bien lire toutes les directives de sécurité avant d'utiliser le chargeur. Consulter le tableau figurant à la fin du présent mode d'emploi pour connaître la compatibilité des chargeurs et des blocs-piles.

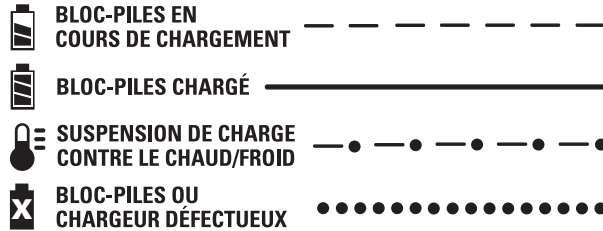
### Procédure de charge (Fig. 1)

1. Branchez le chargeur dans la prise appropriée avant d'y insérer le bloc-piles. FIG. 1
2. Insérez le bloc-piles (K) dans le chargeur, comme illustré en Figure 1, en vous assurant qu'il y est correctement calé. Le voyant rouge (charge) clignotera de façon continue indiquant que le cycle de chargement a commencé.
3. En fin de charge, le voyant rouge restera ALLUMÉ de façon continue. Le bloc-piles est alors complètement chargé et peut être utilisé ou laissé dans le chargeur.

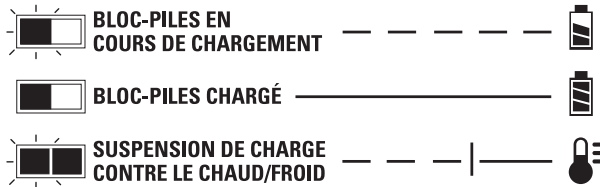


## Fonctionnement du voyant

DCB101, DCB102, DCB103



DCB107, DCB112, DCB113, DCB115



## Voyants de charge

Ce chargeur a été conçu pour détecter les problèmes pouvant survenir. Un voyant rouge clignotant rapidement indique qu'il y a un problème. Dans cette éventualité, réinsérez le bloc-piles dans le chargeur. Si le problème persiste, essayez un autre bloc-piles pour déterminer si le chargeur fonctionne. Si le nouveau bloc-piles se recharge correctement, le bloc-piles initial est endommagé et doit être retourné dans un centre de réparation ou tout autre site de récupération pour y être recyclé. Si l'on obtient le même résultat avec le nouveau bloc-piles, faites vérifier le chargeur et le bloc-piles chez un centre de réparation agréé.

## FONCTION DE SUSPENSION DE CHARGE CONTRE LE CHAUD/FROID

DCB101, DCB102, DCB103

Ces chargeurs ont une fonctionnalité de délai chaud/froid. Lorsque le chargeur détecte qu'une batterie est trop chaude ou trop froide, un délai se met automatiquement en marche, arrêtant temporairement la charge. Le voyant rouge clignote lentement, puis rapidement en mode délai chaud/froid.

Une fois que la batterie a atteint une température optimale, le chargeur reprendra automatiquement la charge. Cette fonctionnalité assure une durée de vie maximum de la batterie.

DCB107, DCB112, DCB113, DCB115

Ces chargeurs ont une fonctionnalité de délai chaud/froid. Lorsque le chargeur détecte qu'une batterie est trop chaude ou trop froide, un délai se met automatiquement en marche, arrêtant temporairement la charge. Le voyant rouge continuera de clignoter mais un indicateur jaune s'allumera pendant la mise en veille de la charge.

Une fois que la batterie a atteint une température optimale, le voyant jaune s'éteindra et le chargeur reprendra automatiquement la charge. Cette fonctionnalité assure une durée de vie maximum de la batterie.

## LAISSER LE BLOC-PILES DANS LE CHARGEUR

Le chargeur et son bloc-piles peuvent rester connectés, le voyant du chargeur affichant alors Bloc-piles chargé.

**BLOCS-PILES FAIBLES** : les blocs-piles faibles continueront de fonctionner, mais il faudra s'attendre à un rendement moindre.

## BLOCS-PILES DÉFECTUEUX

DCB101, DCB102, DCB103

Ces chargeurs ne chargent pas les blocs-piles défectueux. Le chargeur indiquera qu'un bloc-piles est défectueux en refusant de s'allumer ou en affichant bloc-piles ou chargeur défectueux.

**REMARQUE** : cela pourra aussi indiquer un problème avec le chargeur.

### **DCB107, DCB112, DCB113, DCB115**

Ces chargeurs ne chargent pas les blocs-piles défectueux. Le chargeur indiquera qu'un bloc-piles est défectueux en refusant de s'allumer.

**REMARQUE** : cela pourra aussi indiquer un problème avec le chargeur.

## **Installation murale**

### **DCB107, DCB112, DCB113, DCB115**

Ces chargeurs ont été conçus pour une installation murale ou pour être posés sur une table ou une surface de travail.

Pour une fixation murale, installez le chargeur à proximité d'une prise électrique. Fixez soigneusement le chargeur au mur à l'aide de vis à placoplâtre d'au moins 25,4 mm (1 po) de long. Vissez-les dans le bois en laissant une longueur d'environ 5,5 mm (7/32 po) exposée.

## **Remarques importantes concernant le chargement**

1. Pour augmenter la durée de vie du bloc-piles et optimiser son rendement, le recharger à une température ambiante de 18 ° à 24 °C (65 °F à 75 °F). NE PAS recharger le bloc-piles à une température inférieure à + 4,5 °C (+ 40 °F) ou supérieure à + 40 °C (+ 104 °F). C'est important pour prévenir tout dommage sérieux au bloc-piles.
2. Le chargeur et son bloc-piles peuvent devenir chauds au toucher pendant la charge. C'est normal et ne représente en aucun cas une défaillance du produit. Pour faciliter le refroidissement du bloc-piles après utilisation, éviter de laisser le chargeur ou le bloc-piles dans un local où la température ambiante est élevée comme dans un hangar métallique ou une remorque non isolée.

3. Un bloc-piles froid se rechargera deux fois moins vite qu'un bloc-piles chaud. Le bloc-piles se rechargera à un rythme plus lent tout au cours du cycle de charge et ne retournera pas à sa capacité maximale de charge même s'il venait à se réchauffer.
4. Si le bloc-piles ne se recharge pas correctement :
  - a. Vérifier le bon fonctionnement de la prise en y branchant une lampe ou tout autre appareil électrique.
  - b. Vérifier que la prise n'est pas contrôlée par un interrupteur qui coupe le courant lorsqu'on éteint les lumières.
  - c. Déplacer le chargeur et le bloc-piles dans un local où la température ambiante se trouve entre environ 18 ° et 24 °C (65 °F et 75 °F).
  - d. Si le problème persiste, amener l'outil, le bloc-piles et son chargeur dans un centre de réparation local.
5. Recharger le bloc-piles lorsqu'il ne produit plus assez de puissance pour effectuer un travail qu'il faisait facilement auparavant. NE PAS CONTINUER à l'utiliser dans ces conditions. Suivre la procédure de charge. Si nécessaire, il est aussi possible de recharger un bloc-piles partiellement déchargé sans effet nuisible sur le bloc-piles.
6. Les corps étrangers conducteurs tels que (mais pas limité à) poussières de rectification, débris métalliques, laine d'acier, feuilles d'aluminium, ou toute accumulation de particules métalliques doivent être maintenus à distance des orifices du chargeur. Débrancher systématiquement le chargeur lorsque le bloc-piles n'y est pas inséré. Débrancher systématiquement le chargeur avant tout entretien.
7. Ne pas congeler ou immerger le chargeur dans l'eau ou tout autre liquide.

**⚠️ AVERTISSEMENT** : risques de chocs électriques. Ne laisser aucun liquide pénétrer dans le chargeur, des chocs électriques pourraient en résulter.

**⚠AVERTISSEMENT** : risqu esde brûlure. Ne submerger le bloc-piles dans aucun liquide et le protéger de toute infiltration de liquide. Ne jamais tenter d'ouvrir le bloc-piles pour quelque raison que ce soit. Si le boîtier plastique du bloc-piles est brisé ou fissuré, le retourner dans un centre de réparation pour y être recyclé.

### Recommandations de stockage

1. Le lieu idéal de rangement est un lieu frais et sec, à l'abri de toute lumière solaire directe et de toute température excessive.
2. Pour un stockage prolongé, il est recommandé d'entreposer le bloc-piles pleinement chargé dans un lieu frais et sec, hors du chargeur pour optimiser les résultats.

**REMARQUE** : les blocs-piles ne devraient pas être entreposés complètement déchargés. Il sera nécessaire de recharger le bloc-piles avant réutilisation.

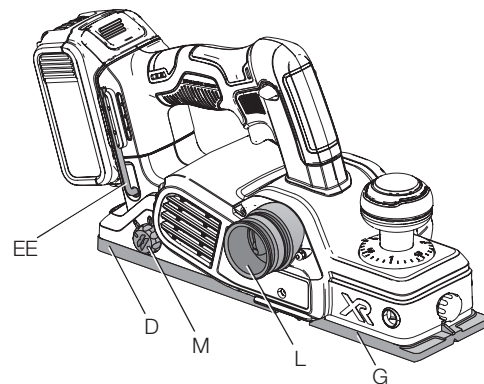
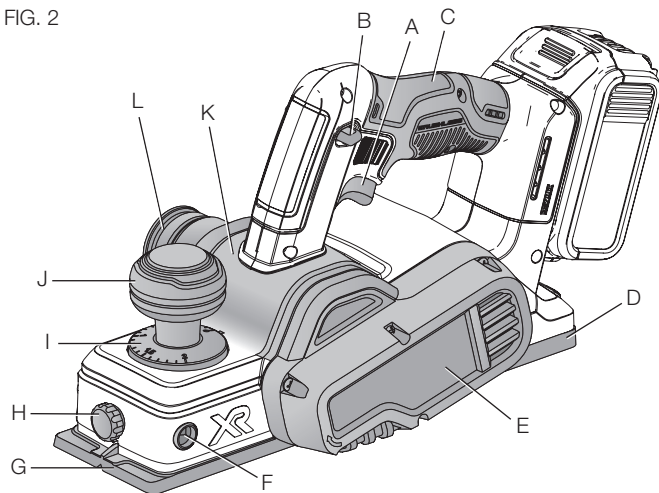
### CONSERVER CES CONSIGNES POUR UTILISATION ULTÉRIEURE

#### COMPOSANTS (Fig. 2)

**⚠AVERTISSEMENT** : ne jamais modifier l'outil électrique ni aucun de ses composants, car il y a risques de dommages corporels ou matériels.

- |   |                                    |
|---|------------------------------------|
| A. Gâchette                             | I. Réglette de profondeur de       |
| B. Bouton de verrouillage               | rabotage                           |
| d'arrêt                                 | J. Bouton de réglage de profondeur |
| C. Poignée principale                   | de rabotage/poignée avant          |
| D. Patin arrière                        | K. Couloir d'éjection              |
| E. Couvercle de courroie                | L. Buse de dépoussiérage           |
| F. Orifice du guide à rainure           | M. Bouton de stockage de la lame   |
| G. Patin avant                          |                                    |
| H. Bouton de serrage du guide à rainure |                                    |

FIG. 2



## UTILISATION PRÉVUE

Cette raboteuse a été conçue pour le rabotage professionnel du bois et des produits du bois.

**NE PAS** les utiliser en milieu ambiant humide ou en présence de liquides ou de gaz inflammables.

Cette raboteuse est un outil électrique de professionnels. **NE PAS** les laisser à la portée des enfants. Une supervision est nécessaire auprès de tout utilisateur non expérimenté.

## FONCTIONNEMENT

**⚠️ AVERTISSEMENT :** pour réduire le risque de blessures graves, éteindre l'outil et retirer le bloc-piles avant d'effectuer tout réglage et d'enlever ou d'installer tout accessoire. Un démarrage accidentel pourrait provoquer des blessures.

### Installation et retrait du bloc-piles (Fig. 3)

**REMARQUE :** pour des résultats optimums, s'assurer que le bloc-piles est complètement chargé.

Pour installer le bloc-piles (N) dans la poignée de l'outil, aligner le bloc-piles sur les rails dans la poignée de l'outil et le faire glisser fermement en place puis vérifier qu'il ne s'en détachera pas.

Pour retirer le bloc-piles de l'outil, pousser sur le bouton de libération (O) et tirer fermement le bloc-piles hors de la poignée de l'outil. L'insérer dans son chargeur comme décrit dans la section appropriée de ce manuel.

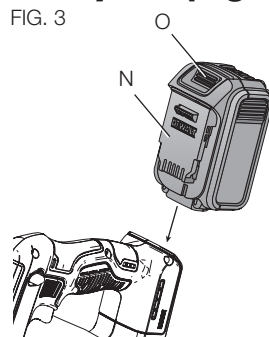


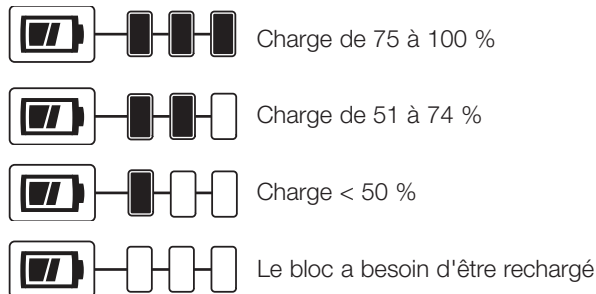
FIG. 3

Presser la détente de l'outil pendant trois secondes pour dissiper la légère charge électrique que l'outil peut avoir conservé. Il se peut que la lampe de travail s'allume un court moment.

### TÉMOIN DE CHARGE DU BLOC-PILES (FIG. 4)

Certains blocs-piles DEWALT possèdent un témoin de charge qui consiste en trois voyants Del verts indiquant le niveau de charge du bloc-piles.

Le témoin de charge indique le niveau approximatif de la charge du bloc-piles en fonction des indicateurs suivants :



Pour activer le témoin de charge, maintenir appuyé le bouton du témoin de charge (P). Une combinaison des trois voyants Del verts s'allumera indiquant le niveau de charge. Lorsque le niveau de charge du bloc-piles atteint la limite minimale d'utilisation, le témoin de charge reste éteint et le bloc-piles doit être rechargé.

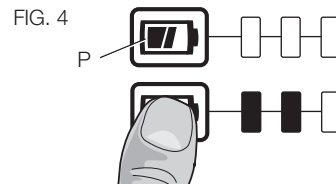


FIG. 4



## Gâchette (Fig. 2)

**⚠AVERTISSEMENT :** cet outil ne possède aucun verrouillage de gâchette en position de marche et ne devrait en aucune manière être verrouillé en marche.

Libérez le bouton de verrouillage de la gâchette (B) en appuyant sur le bouton.

**⚠ATTENTION :** laisser l'outil tourner à plein régime avant de le mettre en contact avec la surface à travailler. Retirer l'outil de la pièce à travailler avant de l'arrêter.

Pour démarrer la raboteuse, appuyez sur la gâchette (A).

Pour arrêter la raboteuse, relâchez la gâchette.

## Réglage de la profondeur de rabotage (Fig. 2)

Pour régler la profondeur de coupe, tournez le bouton de réglage de profondeur de rabotage (J). Chaque clic correspond à 0,1 mm de profondeur, et ce, jusqu'à une profondeur maximum de coupe de 2.0 mm (5/64 po).

Il est recommandé de faire un essai sur un morceau de bois après chaque réajustement pour s'assurer que seule la quantité de bois désirée sera enlevée par la raboteuse. Plusieurs passages légers (plutôt qu'un seul profond) produiront un fini plus satiné.

## Rabotage (Fig. 2, 5-7)

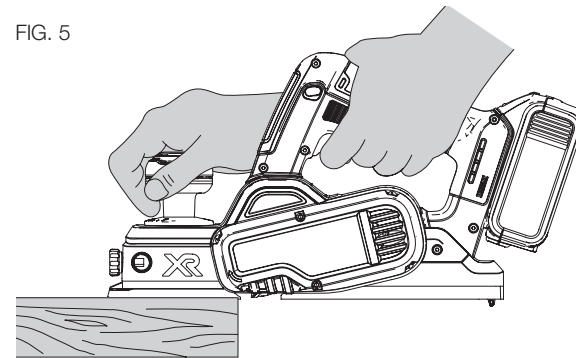
**⚠ATTENTION :** laisser l'outil tourner à plein régime avant de le mettre en contact avec la surface à travailler. Retirer l'outil de la pièce à travailler avant de l'arrêter.

Maintenez la raboteuse dans la bonne position, une main sur la poignée avant (J) et l'autre sur la poignée principale (C), comme illustré en figure 2. Placez le patin avant (G) sur la surface à raboter, en s'assurant que l'organe de coupe ne touche pas la surface.

Appuyez fermement sur la poignée avant de la raboteuse pour que le patin avant soit COMPLÈTEMENT À PLAT sur la surface à travailler. Appuyez sur la gâchette et laissez l'outil atteindre sa vitesse maximum avant de laisser les lames entrer en contact avec la surface à travailler. Faites avancer l'outil lentement sur la surface à travailler en exerçant une certaine pression pour maintenir la raboteuse horizontale. Faites particulièrement attention à maintenir l'outil à l'horizontale aux deux extrémités de la surface à travailler.

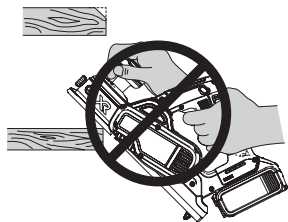
**Conseil de rabotage :** pour une apparence satinée, ajoutez un morceau de bois à l'extrémité de la pièce à raboter. Continuez de raboter tant que les lames de la raboteuse ne sont pas au-delà de la pièce à travailler, sur le morceau rajouté.

FIG. 5



CORRECT

FIG. 6

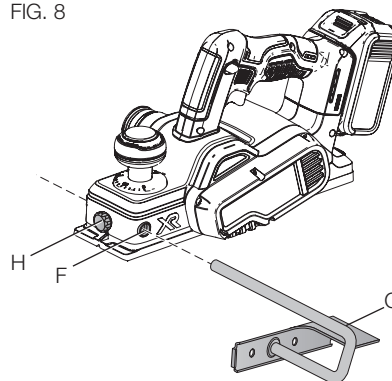


INCORRECT

FIG. 7



FIG. 8



### Guide à rainure (Fig. 8, 9)

**⚠AVERTISSEMENT :** laisser l'outil tourner à plein régime avant de le mettre en contact avec la surface à travailler. Retirer l'outil de la pièce à travailler avant de l'arrêter.

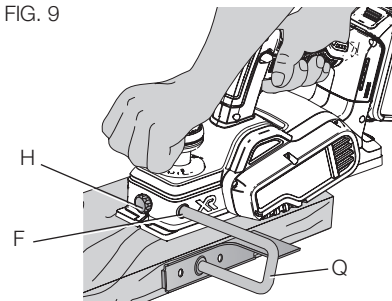
Le guide à rainure (Q) est utilisé pour optimiser le contrôle de l'outil sur des pièces étroites, et peut être installé sur l'un ou l'autre côté de la raboteuse. La raboteuse peut effectuer des feuillures jusqu'à 9 mm (23/64 po).

#### POUR INSTALLER LE GUIDE À RAINURE

1. Desserrez le bouton de serrage du guide à rainure (H).
2. Faites glisser la barre latérale du guide à rainure (Q) dans le trou (F) sur le côté de la raboteuse, comme illustré en figure 8.
3. Ajustez la largeur de coupe en réglant le guide de chant transversalement au patin.
4. Resserrez soigneusement le bouton de serrage du guide à rainure (H).

**REMARQUE :** le guide à rainure doit se trouver plus bas que la raboteuse pour être installé correctement, comme illustré en figure 9.

FIG. 9



#### POUR FAIRE UNE RAINURE

1. Ajustez le bouton de réglage du guide à rainure (H) pour déterminer la largeur de coupe.

2. Repassez plusieurs fois jusqu'à ce que la profondeur voulue soit atteinte.

**REMARQUE :** un nombre répété de coupes sera nécessaire pour la plupart des découpes de rainures.

## Changement de lames (Fig. 10, 11)

**⚠AVERTISSEMENT :** pour réduire le risque de blessures graves, éteindre l'outil et retirer le bloc-piles avant d'effectuer tout réglage et d'enlever ou d'installer tout accessoire. Un démarrage accidentel pourrait provoquer des blessures.

**⚠ATTENTION :** l'organe de coupe de la raboteuse est extrêmement acéré. Utiliser la raboteuse avec la plus grande vigilance.

Cette raboteuse peut utiliser des lames en acier à coupe rapide et au carbure. Assurez-vous de vérifier quel type de lames est installé sur la raboteuse.

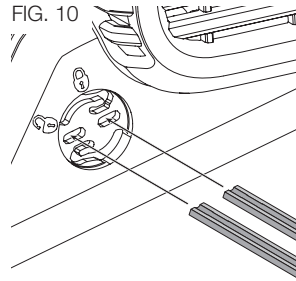
### STOCKAGE DE LAME (FIG. 10)

Votre raboteuse est équipée d'un stockage de lame pour deux lames supplémentaires. Pour entreposer ou retirer des lames, tournez le bouton de stockage de la lame (M) vers la gauche pour l'ouvrir.

### LAMES EN ACIER À COUPE RAPIDE (FIG. 11)

#### 1. Pour retirer la lame de la raboteuse (Fig. 11B)

- Desserrez et retirez les trois vis cruciformes (R) avec la clé cruciforme T25 (EE) fournie avec l'outil. Retirez le couvercle du logement des lames (S) du logement (T).
- Retirez le dispositif barre de guidage/lame en acier à coupe rapide (U, V, W).



#### 2. Pour régler la lame à l'aide de la plaque étalon (fournie avec l'outil) (Fig. 11C)

- Disposez le dispositif barre de guidage/lame en acier à coupe rapide sur la plaque étalon (X) en alignant le bord acéré de la lame en acier à coupe rapide tout contre la paroi interne (Y) de la plaque étalon. Le talon de la barre de guidage (W) recouvrira l'extrémité de la plaque de butée (X).
- Desserrez les deux vis cruciformes (V) avec un tournevis.
- Maintenez simultanément le bord de la lame (U) contre la paroi interne de la plaque de butée (Y) et le talon de la barre de guidage (W) contre le bord arrière de la plaque de butée. Resserrez soigneusement les vis cruciformes (V).

#### 3. Pour réinstaller la lame (Fig. 10A, 10B)

- Retirez avec précautions le dispositif ajusté barre de guidage/lame en acier à coupe rapide de la plaque étalon (X) et placez le talon de la barre de guidage (W) dans la rainure du logement (T).
- Posez le couvercle du logement de lames (S) sur le dispositif ajusté barre de guidage/lame en acier à coupe rapide et vissez soigneusement les trois vis cruciformes (R) sur le logement.

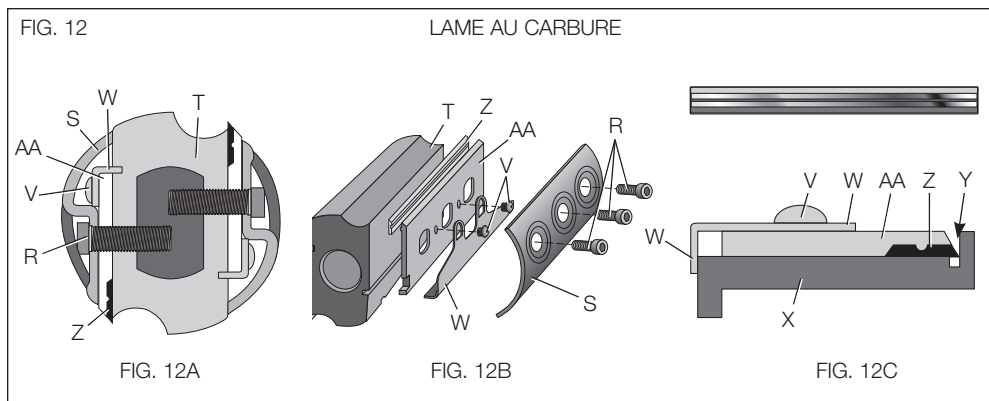
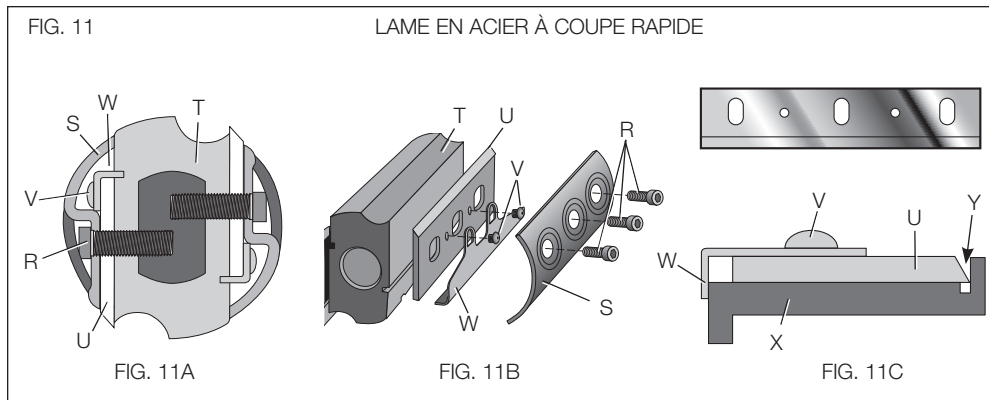
4. Répétez la même procédure pour l'autre lame.

**REMARQUE :** pour utiliser des lames acier à coupe rapide avec cette raboteuse, un support d'affûtage (BB), requis pour affûter les lames à coupe rapide, est vendu séparément chez votre centre de réparation local agréé DEWALT.

### LAMES AU CARBURE RÉVERSIBLES (FIG. 12)

#### 1. Pour retirer la lame de la raboteuse (Fig. 12B)

- Desserrez et retirez les trois vis cruciformes (R) avec la clé cruciforme T25 (EE) fournie avec l'outil. Retirez le couvercle du logement des lames (S) du logement (T).



b. Retirez le dispositif porte-lame/barre de guidage (V, W, Z). Retirez avec précautions la lame au carbure (Z).

**2. Pour régler la lame à l'aide de la plaque étalon (fournie avec l'outil) (Fig. 12C)**

- a. Placez avec précautions le bord acéré de la lame au carbure (Z) sur la plaque étalon (X), avec son côté comportant la rainure vers le haut. L'un ou l'autre bord de la lame réversible au carbure peut être aligné tout contre la paroi interne (Y) de la plaque étalon.
- b. Placez le dispositif porte-lame/barre de guidage sur la lame de façon à ce que la nervure du porte-lame (AA) s'encastre dans la rainure de la lame au carbure (Z). Le talon de la barre de guidage (W) dépassera de l'extrémité de la plaque de butée (X).
- c. Desserrez les deux vis cruciformes (V) avec un tournevis.
- d. Maintenez simultanément le porte-lame (AA) et la lame (Z) contre la paroi interne de la plaque de butée (Y) tout en maintenant le talon de la barre de guidage (W) contre le bord arrière de la plaque de butée. Resserrez soigneusement les vis cruciformes (V).

**3. Pour changer la lame (Fig. 12A, 12B)**

- a. Retirez le dispositif ajusté porte-lame/barre de guidage de la plaque étalon (X) et placez le talon de la barre de guidage (W) dans la rainure du logement (T).
  - b. Placez le couvercle du logement (S) sur le dispositif porte-lame/barre de guidage. Vissez légèrement les trois vis cruciformes (R) dans le logement de lames (T) de façon à laisser un petit interstice entre le logement et le porte-lame (AA).
  - c. Insérez la lame au carbure entre le logement (T) et le porte-lame (AA) par le côté de façon à ce que la nervure sur le porte-lame repose dans la rainure de la lame.
  - d. Centrez la lame au carbure (Z) sous le porte-lame (AA) en vous assurant que la lame ne touche pas les côtés du boîtier de l'outil.
  - e. Resserrez fermement les trois vis cruciformes (R) sur le logement de lames.
4. Répétez la même procédure pour l'autre lame.

**REMARQUE :** si votre raboteuse n'est pas équipée de lames au carbure, des porte-lames (AA), requis pour les lames au carbure, sont vendus séparément chez votre centre de réparation local agréé DEWALT.

**Affûtage des lames en acier à coupe rapide (Fig. 13)**

**⚠ AVERTISSEMENT :** l'organe de coupe de la raboteuse est extrêmement acéré. Utiliser la raboteuse avec la plus grande vigilance.

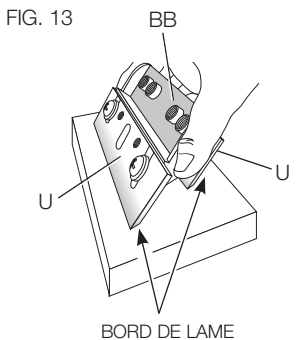


FIG. 13

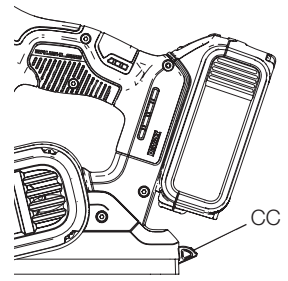
**REMARQUE :** les lames au carbure ne peuvent pas être affûtées.

1. Rattachez les lames au porte-meule (BB). Assurez-vous que les deux bords de lames (U) sont dans le même sens.
2. Placez les bords de lame de façon à ce qu'ils reposent contre la meule (non incluse).
3. Attrapez fermement le porte-meule et déplacez-le d'avant en arrière pour affûter les lames (U).

**Béquille (Fig. 14)**

La raboteuse est munie d'une béquille (CC) qui se déploie automatiquement lorsque l'outil est soulevé de la surface de travail, permettant à la raboteuse d'être posée sur la surface de travail sans que la lame ne touche cette dernière. Lors du rabotage, la béquille se rétracte dès que l'outil est poussé en avant dans le matériau. Si la béquille venait à devenir un obstacle pour un ouvrage particulier, elle peut être repliée et verrouillée, hors du chemin.

FIG. 14

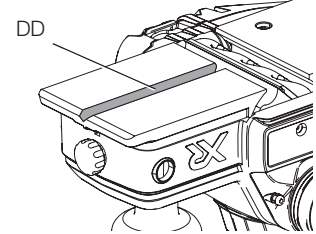


**⚠ ATTENTION :** assurez-vous que la béquille est pliée correctement avant de poser la raboteuse sur une surface de travail.

FIG. 15

**Chanfreinage (Fig. 15)**

La raboteuse est équipée d'une rainure (DD) haute précision de chanfreinage sur le patin avant pour raboter un coin de bois. La largeur de

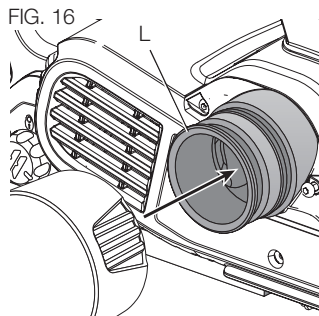


DD

rainure va de 4,5 à 8 mm. Il est recommandé de faire des essais sur un rebut avant tout travail définitif.

### Dépoussiérage (Fig. 2, 16)

Votre raboteuse est équipée d'une buse d'extraction des poussières (L) qui permet d'y connecter soit un sac à poussières soit un aspirateur d'atelier. La buse intégrée utilise un système étanche de connecteur Airlock DEWALT qui est compatible avec tous les extracteurs de poussières DEWALT.



#### POUR CONNECTER LE SAC À POUSSIÈRES

Tout en maintenant la raboteuse, insérez le collier de serrage du sac à poussières sur la buse d'extraction des poussières (L), comme illustré en figure 16.

#### POUR VIDER LE SAC À POUSSIÈRES

1. Tout en maintenant la raboteuse, retirez le sac à poussières en le tirant hors de la buse d'extraction des poussières (L).
2. Secouer ou tapoter légèrement le sac à poussières pour le vider.
3. Rattachez le sac à poussières sur la buse.

Il se peut que toute la poussière ne soit pas évacuée du sac. Cela n'affectera pas les performances de la raboteuse, mais en réduira son efficacité d'aspiration de la poussière. Pour restaurer son rendement d'aspiration, appuyez sur le ressort à l'intérieur du sac à poussières tout en vidant ce dernier et en le tapotant sur les côtés du réceptacle de récupération utilisé, poubelle ou autre.

**REMARQUE** : les adaptateurs AirLock DEWALT (DWV9000) sont vendus séparément pour connecter un aspirateur d'atelier ou un extracteur de poussières DEWALT à votre raboteuse.

**⚠ATTENTION** : ne jamais utiliser ces outils sans le système de dépoussiérage en place. L'évacuation des poussières du rabotage pose des risques au système respiratoire.

### MAINTENANCE

**⚠AVERTISSEMENT** : pour réduire le risque de blessures graves, éteindre l'outil et retirer le bloc-piles avant d'effectuer tout réglage et d'enlever ou d'installer tout accessoire. Un démarrage accidentel peut provoquer des blessures.

#### Nettoyage

**⚠AVERTISSEMENT** : enlever les saletés et la poussière hors des événements au moyen d'air comprimé propre et sec, au moins une fois par semaine. Pour minimiser le risque de blessure aux yeux, toujours porter une protection oculaire conforme à la norme ANSI Z87.1 lors du nettoyage.

**⚠AVERTISSEMENT** : ne jamais utiliser de solvants ni d'autres produits chimiques puissants pour nettoyer les pièces non métalliques de l'outil. Ces produits chimiques peuvent affaiblir les matériaux de plastique utilisés dans ces pièces. Utiliser un chiffon humecté uniquement d'eau et de savon doux. Ne jamais laisser de liquide pénétrer dans l'outil et n'immerger aucune partie de l'outil dans un liquide.

#### INSTRUCTION DE NETTOYAGE DU CHARGEUR

**⚠AVERTISSEMENT** : risque de choc. Débrancher le chargeur de la prise de courant C.A. avant de le nettoyer. La saleté et la graisse peuvent être enlevées de la surface extérieure du chargeur au moyen

d'un chiffon ou d'une brosse douce non métallique. Ne pas utiliser d'eau ni d'autres solutions de nettoyage.

### **INSTRUCTION DE NETTOYAGE DU COULOIR D'ÉJECTION**

Si l'outil venait à être obstrué par de la poussière ou des copeaux, utilisez un bâtonnet non métallique pour éliminer l'obstruction dans le couloir d'éjection (K). N'enfoncez jamais votre doigt dans le couloir d'éjection.

### **Accessoires**

**⚠️ AVERTISSEMENT :** *puisque les accessoires autres que ceux offerts par DEWALT n'ont pas été testés avec ce produit, leur utilisation pourrait s'avérer dangereuse. Pour réduire le risque de blessures, utiliser exclusivement les accessoires DEWALT recommandés avec le présent produit.*

Les accessoires recommandés pour cet outil sont vendus séparément au centre de service de votre région. Pour obtenir de l'aide concernant l'achat d'un accessoire, communiquer avec DEWALT Industrial Tool Co., 701 East Joppa Road, Towson, MD 21286 aux États-Unis; composer le 1 800 433-9258 (1 800 4-DEWALT) ou visiter notre site Web : [www.dewalt.com](http://www.dewalt.com).

### **Réparations**

Le chargeur et le bloc-piles ne sont pas réparables. Pour assurer la SÉCURITÉ et la FIABILITÉ du produit, les réparations, l'entretien et les réglages doivent être réalisés par un centre de réparation en usine DEWALT, un centre de réparation agréé DEWALT ou par d'autres techniciens qualifiés. Toujours utiliser des pièces de rechange identiques.

### **Registre en ligne**

Merci pour votre achat. Enregistrez dès maintenant votre produit:

- **RÉPARATIONS SOUS GARANTIE:** cette carte remplie vous permettra de vous prévaloir du service de réparations sous garantie de façon plus efficace dans le cas d'un problème avec le produit.
- **CONFIRMATION DE PROPRIÉTÉ:** en cas de perte provoquée par un incendie, une inondation ou un vol, cette preuve de propriété vous servira de preuve auprès de votre compagnie d'assurances.
- **SÉCURITÉ:** l'enregistrement de votre produit nous permettra de communiquer avec vous dans l'éventualité peu probable de l'envoi d'un avis de sécurité régi par la loi fédérale américaine de la protection des consommateurs.

Registre en ligne à [www.dewalt.com/register](http://www.dewalt.com/register).

### **Garantie limitée de trois ans**

DEWALT réparera, sans frais, tout produit défectueux causé par un défaut de matériel ou de fabrication pour une période de trois ans à compter de la date d'achat. La présente garantie ne couvre pas les pièces dont la défectuosité a été causée par une usure normale ou l'usage abusif de l'outil. Pour obtenir de plus amples renseignements sur les pièces ou les réparations couvertes par la présente garantie, visiter le site [www.dewalt.com](http://www.dewalt.com) ou composer le 1 800 433-9258 (1 800 4-DEWALT). Cette garantie ne s'applique pas aux accessoires et ne vise pas les dommages causés par des réparations effectuées par un tiers. Cette garantie confère des droits légaux particuliers à l'acheteur, mais celui-ci pourrait aussi bénéficier d'autres droits variant d'un état ou d'une province à l'autre.

En plus de la présente garantie, les outils DEWALT sont couverts par notre :

### CONTRAT D'ENTRETIEN GRATUIT D'UN AN

DEWALT entretiendra l'outil et remplacera les pièces usées au cours d'une utilisation normale et ce, gratuitement, pendant une période d'un an à compter de la date d'achat.

### CONTRAT D'ENTRETIEN GRATUIT DE DEUX ANS SUR LES BLOC-PILES DEWALT

DC9071, DC9091, DC9096, DC9280, DC9360, DC9180,  
DCB120, DCB127, DCB201, DCB203, DCB203BT, DCB207

### CONTRAT D'ENTRETIEN GRATUIT DE TROIS ANS SUR LES BLOC-PILES DEWALT

DCB200, DCB204, DCB204BT, DCB205

### BLOCS-PILES DEWALT

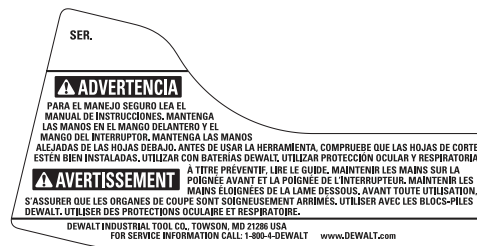
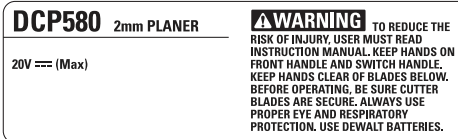
La garantie de ce produit sera annulée si le bloc-piles a été altéré de quelque façon que ce soit. DEWALT ne peut être tenu responsable de tout dommage corporel causé par l'altération du produit et pourra poursuivre toute fraude en matière de garantie dans toute l'étendue permise par la loi.

### GARANTIE DE REMBOURSEMENT DE 90 JOURS

Si l'acheteur n'est pas entièrement satisfait, pour quelque raison que ce soit, du rendement de l'outil électrique, du laser ou de la cloueuse DEWALT, celui-ci peut le retourner, accompagné d'un reçu, dans les 90 jours à compter de la date d'achat pour obtenir un remboursement intégral, sans aucun problème.

**AMÉRIQUE LATINE :** cette garantie ne s'applique aux produits vendus en Amérique latine. Pour ceux-ci, veuillez consulter les informations relatives à la garantie spécifique présente dans l'emballage, appeler l'entreprise locale ou consulter le site Web pour les informations relatives à cette garantie.

**REPLACEMENT GRATUIT DES ÉTIQUETTES D'AVERTISSEMENT :** si les étiquettes d'avertissement deviennent illisibles ou sont manquantes, composer le 1 800 433-9258 (1 800 4-DEWALT) pour en obtenir le remplacement gratuit.





### **Definiciones: Normas de seguridad**

Las siguientes definiciones describen el nivel de gravedad de cada palabra de señal. Lea el manual y preste atención a estos símbolos.

**⚠ PELIGRO:** Indica una situación de peligro inminente que, si no se evita, provocará **la muerte o lesiones graves**.

**⚠ ADVERTENCIA:** Indica una situación de peligro potencial que, si no se evita, **podría provocar la muerte o lesiones graves**.

**⚠ ATENCIÓN:** Indica una situación de peligro potencial que, si no se evita, **posiblemente provocaría lesiones leves o moderadas**.

**AVISO:** Se refiere a una práctica **no relacionada a lesiones corporales** que de no evitarse **puede** resultar en **daños a la propiedad**.

SI TIENE ALGUNA DUDA O ALGÚN COMENTARIO SOBRE ÉSTA U OTRA HERRAMIENTA DEWALT, LLÁMENOS AL NÚMERO GRATUITO: **1-800-4-DEWALT (1-800-433-9258)**.



**ADVERTENCIA:** Para reducir el riesgo de lesiones, lea el manual de instrucciones.

### **Advertencias generales de seguridad para herramientas eléctricas**



**¡ADVERTENCIA!** Lea todas las advertencias de seguridad e instrucciones. El incumplimiento de las advertencias e instrucciones puede provocar descargas eléctricas, incendios o lesiones graves.

## **CONSERVE TODAS LAS ADVERTENCIAS E INSTRUCCIONES PARA FUTURAS CONSULTAS**

El término “herramienta eléctrica” incluido en las advertencias hace referencia a las herramientas eléctricas operadas con corriente (con cable eléctrico) o a las herramientas eléctricas operadas con baterías (inalámbricas).

### **1) SEGURIDAD EN EL ÁREA DE TRABAJO**

- Mantenga el área de trabajo limpia y bien iluminada.** Las áreas abarrotadas y oscuras propician accidentes.
- No opere las herramientas eléctricas en atmósferas explosivas, como ambientes donde haya polvo, gases o líquidos inflamables.** Las herramientas eléctricas originan chispas que pueden encender el polvo o los vapores.
- Mantenga alejados a los niños y a los espectadores de la herramienta eléctrica en funcionamiento.** Las distracciones pueden provocar la pérdida de control.

### **2) SEGURIDAD ELÉCTRICA**

- Los enchufes de la herramienta eléctrica deben adaptarse al tomacorriente. Nunca modifique el enchufe de ninguna manera. No utilice ningún enchufe adaptador con herramientas eléctricas con conexión a tierra.** Los enchufes no modificados y que se adaptan a los tomacorrientes reducirán el riesgo de descarga eléctrica.
- Evite el contacto corporal con superficies con descargas a tierra como, por ejemplo, tuberías, radiadores, cocinas eléctricas y refrigeradores.** Existe mayor riesgo de descarga eléctrica si su cuerpo está puesto a tierra.
- No exponga las herramientas eléctricas a la lluvia o a condiciones de humedad.** Si entra agua a una herramienta eléctrica, aumentará el riesgo de descarga eléctrica.

- d) **No maltrate el cable. Nunca utilice el cable para transportar, tirar o desenchufar la herramienta eléctrica. Mantenga el cable alejado del calor, el aceite, los bordes filosos y las piezas móviles.** Los cables dañados o enredados aumentan el riesgo de descarga eléctrica.
- e) **Al operar una herramienta eléctrica en el exterior, utilice un cable prolongador adecuado para tal uso.** Utilice un cable adecuado para uso en exteriores a fin de reducir el riesgo de descarga eléctrica.
- f) **Si el uso de una herramienta eléctrica en un lugar húmedo es imposible de evitar, utilice un suministro protegido con un interruptor de circuito por falla a tierra (GFCI).** El uso de un GFCI reduce el riesgo de descargas eléctricas.

### 3) SEGURIDAD PERSONAL

- a) **Permanezca alerta, controle lo que está haciendo y utilice el sentido común cuando emplee una herramienta eléctrica. No utilice una herramienta eléctrica si está cansado o bajo el efecto de drogas, alcohol o medicamentos.** Un momento de descuido mientras se opera una herramienta eléctrica puede provocar lesiones personales graves.
- b) **Utilice equipos de protección personal. Siempre utilice protección para los ojos.** En las condiciones adecuadas, el uso de equipos de protección, como máscaras para polvo, calzado de seguridad antideslizante, cascos o protección auditiva, reducirá las lesiones personales.
- c) **Evite el encendido por accidente. Asegúrese de que el interruptor esté en la posición de apagado antes de conectarlo a la fuente de energía o paquete de baterías, o antes de levantar o transportar la herramienta.** Transportar herramientas eléctricas con el dedo apoyado en el

interruptor o enchufar herramientas eléctricas con el interruptor en la posición de encendido puede propiciar accidentes.

- d) **Retire la clavija de ajuste o la llave de tuercas antes de encender la herramienta eléctrica.** Una llave de tuercas o una clavija de ajuste que quede conectada a una pieza giratoria de la herramienta eléctrica puede provocar lesiones personales.
- e) **No se estire. Conserve el equilibrio y párese adecuadamente en todo momento.** Esto permite un mejor control de la herramienta eléctrica en situaciones inesperadas.
- f) **Use la vestimenta adecuada. No use ropas holgadas ni joyas. Mantenga el cabello, la ropa y los guantes alejados de las piezas en movimiento.** Las ropas holgadas, las joyas o el cabello largo pueden quedar atrapados en las piezas en movimiento.
- g) **Si se suministran dispositivos para la conexión de accesorios con fines de recolección y extracción de polvo, asegúrese de que estén conectados y que se utilicen correctamente.** El uso de dispositivos de recolección de polvo puede reducir los peligros relacionados con el polvo.

### 4) USO Y MANTENIMIENTO DE LA HERRAMIENTA ELÉCTRICA

- a) **No fuerce la herramienta eléctrica. Utilice la herramienta eléctrica correcta para el trabajo que realizará.** Si se la utiliza a la velocidad para la que fue diseñada, la herramienta eléctrica correcta permite trabajar mejor y de manera más segura.
- b) **No utilice la herramienta eléctrica si no puede encenderla o apagarla con el interruptor.** Toda herramienta eléctrica que no pueda ser controlada mediante el interruptor es peligrosa y debe repararse.

- c) **Desconecte el enchufe de la fuente de energía o el paquete de baterías de la herramienta eléctrica antes de realizar ajustes, cambiar accesorios o almacenar la herramienta eléctrica.** Estas medidas de seguridad preventivas reducen el riesgo de encender la herramienta eléctrica en forma accidental.
- d) **Guarde la herramienta eléctrica que no esté en uso fuera del alcance de los niños y no permita que otras personas no familiarizadas con ella o con estas instrucciones operen la herramienta.** Las herramientas eléctricas son peligrosas si son operadas por usuarios no capacitados.
- e) **Realice el mantenimiento de las herramientas eléctricas. Revise que no haya piezas en movimiento mal alineadas o trabadas, piezas rotas o cualquier otra situación que pueda afectar el funcionamiento de la herramienta eléctrica. Si encuentra daños, haga reparar la herramienta eléctrica antes de utilizarla.** Se producen muchos accidentes a causa de las herramientas eléctricas que carecen de un mantenimiento adecuado.
- f) **Mantenga las herramientas de corte afiladas y limpias.** Las herramientas de corte con mantenimiento adecuado y con los bordes de corte afilados son menos propensas a trabarse y son más fáciles de controlar.
- g) **Utilice la herramienta eléctrica, los accesorios y las brocas de la herramienta, etc. de acuerdo con estas instrucciones y teniendo en cuenta las condiciones de trabajo y el trabajo que debe realizarse.** El uso de la herramienta eléctrica para operaciones diferentes de aquéllas para las que fue diseñada podría originar una situación peligrosa.

## 5) USO Y MANTENIMIENTO DE LA HERRAMIENTA CON BATERÍAS

- a) **Recargue solamente con el cargador especificado por el fabricante.** Un cargador adecuado para un tipo de paquete de baterías puede originar riesgo de incendio si se utiliza con otro paquete de baterías.
- b) **Utilice herramientas eléctricas sólo con paquetes de baterías específicamente diseñados.** El uso de cualquier otro paquete de baterías puede producir riesgo de incendio y lesiones.
- c) **Cuando no utilice el paquete de baterías, manténgalo lejos de otros objetos metálicos como sujetapapeles, monedas, llaves, clavos, tornillos u otros objetos metálicos pequeños que puedan realizar una conexión desde un terminal al otro.** Los cortocircuitos en los terminales de la batería pueden provocar quemaduras o incendio.
- d) **En condiciones abusivas, el líquido puede ser expulsado de la batería. Evite su contacto. Si entra en contacto accidentalmente, enjuague con agua. Si el líquido entra en contacto con los ojos, busque atención médica.** El líquido expulsado de la batería puede provocar irritación o quemaduras.

## 6) MANTENIMIENTO

- a) **Solicite a una persona calificada en reparaciones que realice el mantenimiento de su herramienta eléctrica y que sólo utilice piezas de repuesto idénticas.** Esto garantizará la seguridad de la herramienta eléctrica.

## Instrucciones de seguridad adicionales para cepilladoras

- **Espere a que la cuchilla se detenga antes de soltar la herramienta.** Una cuchilla expuesta que esté girando puede

encajarse en la superficie y provocar una posible pérdida de control y lesión grave.

- **Sujete la herramienta eléctrica solamente por superficies de agarre aisladas, porque la cuchilla puede entrar en contacto con instalaciones eléctricas ocultas.** El cortar un cable bajo tensión puede transmitir corriente a las partes metálicas expuestas de la herramienta y producir una descarga eléctrica en el operador.
- **Use abrazaderas u otra forma práctica de asegurar y apoyar la pieza de trabajo a una plataforma estable.** El sujetar la pieza de trabajo con la mano o contra su cuerpo no proporciona estabilidad y puede causar una pérdida de control.
- Asegúrese de que el interruptor esté en posición de apagado antes de instalar la batería.
- Asegúrese de APAGAR inmediatamente si la herramienta está atascada en la pieza de trabajo.
- Asegúrese de que la herramienta esté fijada para la profundidad correcta antes de ENCENDER el interruptor.
- Tenga cuidado al realizar las labores de mantenimiento. Siga las instrucciones para lubricar y cambiar los accesorios.
- Asegúrese de que las hojas se monten según se describe en el manual de instrucciones y compruebe que todos los tornillos estén apretados firmemente antes de instalar la batería.
- Mantenga las rejillas de ventilación libres de obstrucción para un enfriamiento adecuado del motor.
- NO coloque la herramienta sobre la base cuando las hojas estén expuestas. Así se pueden romper las hojas.
- Mantenga el conducto de descarga lateral sin obstrucciones en todo momento.
- Nunca ponga la mano debajo de la herramienta por ningún motivo a no ser que esté apagada y la BATERÍA ESTÉ QUITADA.

LAS HOJAS ESTÁN EXPUESTAS Y SON EXTREMADAMENTE AFILADAS.

- Use esta herramienta para trabajar con madera y productos de madera solamente.
- Asegúrese siempre de que la superficie de trabajo no tenga clavos ni otros objetos extraños.
- Opere siempre la cepilladora con las dos manos. No opere nunca sin sujetar firmemente el mango delantero.
- Las hojas de la cepilladora son extremadamente afiladas. Manéjelas con mucho cuidado.
- Limpie su herramienta periódicamente, especialmente después de realizar trabajos pesados.
- **Los orificios de ventilación suelen cubrir piezas en movimiento, por lo que también se deben evitar.** Las piezas en movimiento pueden atrapar prendas de vestir sueltas, joyas o el cabello largo.

▲ **ADVERTENCIA:** Use **SIEMPRE** lentes de seguridad. Los anteojos de diario NO SON lentes de seguridad. Utilice además una cubrebocas o mascarilla antipolvo si la operación de corte genera demasiado polvo. SIEMPRE LLEVE EQUIPO DE SEGURIDAD CERTIFICADO:

- protección ocular ANSI Z87.1 (CAN/CSA Z94.3),
- protección auditiva ANSI S12.6 (S3.19),
- protección respiratoria NIOSH/OSHA/MSHA.

▲ **ADVERTENCIA:** Algunas partículas de polvo generadas al lijar, serrar, esmerilar y taladrar con herramientas eléctricas, así como al realizar otras actividades de construcción, contienen químicos que el Estado de California sabe que pueden producir cáncer, defectos congénitos u otras afecciones reproductivas. Ejemplos de estos químicos son:

- plomo de algunas pinturas en base a plomo,

- polvo de sílice proveniente de ladrillos y cemento y otros productos de albañilería, y
- arsénico y cromo provenientes de madera tratada químicamente.

Su riesgo de exposición a estos químicos varía, dependiendo de la frecuencia con la cual realiza usted este tipo de trabajo. Para reducir su exposición a estas sustancias químicas: trabaje en una zona bien ventilada y llevando equipos de seguridad aprobados, como mascarillas antipolvo especialmente diseñadas para filtrar partículas microscópicas.

- **Evite el contacto prolongado con polvo generado por el lijado, aserrado, pulido, taladrado y otras actividades de construcción. Vista ropas protectoras y lave las áreas de la piel expuestas con agua y jabón.** Si permite que el polvo se introduzca en la boca u ojos o quede sobre la piel, puede favorecer la absorción de productos químicos peligrosos.

**▲ADVERTENCIA:** La utilización de esta herramienta puede generar polvo o dispersarlo, lo que podría causar daños graves y permanentes al sistema respiratorio, así como otras lesiones. Siempre use protección respiratoria aprobada por NIOSH (Instituto Nacional de Seguridad y Salud en el Trabajo) u OSHA (Administración de Seguridad y Salud en el Trabajo) apropiada para la exposición al polvo. Dirija las partículas en dirección contraria a la cara y el cuerpo.

**▲ADVERTENCIA: Siempre lleve la debida protección auditiva personal en conformidad con ANSI S12.6 (S3.19) durante el uso de esta herramienta.** Bajo algunas condiciones y duraciones de uso, el ruido producido por este producto puede contribuir a la pérdida auditiva.

**▲ATENCIÓN:** Cuando no esté en uso, guarde la herramienta apoyada en un costado sobre una superficie estable, donde no interrumpa el paso o provoque una caída. Algunas herramientas

con paquetes de baterías de gran tamaño pueden colocarse paradas sobre el paquete de baterías, pero pueden caerse fácilmente.

- La etiqueta de su herramienta puede incluir los siguientes símbolos. A continuación se indican los símbolos y sus definiciones:

V.....voltios	A..... amperios
Hz.....hertz	W..... vatios
min .....minutos	~ o AC ..... corriente alterna
— o DC.....corriente directa	≈ o AC/DC... corriente alterna o directa
⚠.....Construcción de Clase I (tierra)	n..... velocidad nominal
⚡.....Construcción de Clase II (doble aislamiento)	n <sub>0</sub> ..... velocidad sin carga
.../min .....por minuto	⊕..... terminal de conexión a tierra
IPM.....impactos por minuto	▲..... símbolo de advertencia de seguridad
sfpn .....pies de superficie por minuto	☠..... radiación visible
RPM.....revoluciones por minuto	
BPM.....golpes por minuto	
SPM .....pasadas por minuto	

## Instrucciones de seguridad importantes para todas las unidades de batería

Cuando solicite unidades de batería de repuesto, no olvide indicar el número de catálogo y el voltaje. Consulte la tabla al final de este

manual para ver la compatibilidad entre cargadores y unidades de batería.

La unidad de batería no viene completamente cargada de fábrica. Antes de usar la unidad de batería y el cargador, lea las siguientes instrucciones de seguridad. Luego, siga los procedimientos de carga indicados.

## LEA TODAS LAS INSTRUCCIONES

- **No cargue o use la unidad de batería en atmósferas explosivas, como en presencia de líquidos, gases o polvos inflamables.** Puede que al insertar o sacar la unidad de batería del cargador se inflamen el polvo o los gases.
- **NUNCA fuerce la unidad de batería para que entre en el cargador. NO modifique la unidad de batería en ninguna forma para que entre en un cargador no compatible, pues puede producir una ruptura en la unidad de batería y causar lesiones corporales graves.** Consulte la tabla al final de este manual para ver la compatibilidad entre baterías y cargadores.
- Cargue las unidades de batería sólo en los cargadores designados por DEWALT.
- **NO** salpique con ni sumerja en agua u otros líquidos.
- **No guarde ni use la herramienta y unidad de batería en lugares donde la temperatura pueda alcanzar o superar los 40 °C (104 °F), tales como cobertizos o construcciones de metal durante el verano.** Almacene las unidades de batería en lugares frescos y secos para maximizar su vida útil.

**NOTA: No almacene las unidades de batería en la herramienta con el interruptor de gatillo en posición encendida fija. Nunca use cinta adhesiva para mantener el interruptor de gatillo en posición ENCENDIDA.**

**▲ADVERTENCIA:** Peligro de incendio. Nunca intente abrir la unidad de batería por ningún motivo. Si la caja exterior de la unidad de batería se triza o daña, no la introduzca en el cargador. No triture, deje

caer o dañe la unidad de batería. No use una unidad de batería o un cargador que haya sido golpeado, dejado caer, atropellado o dañado en cualquier forma (por ejemplo, perforado por un clavo, golpeado con un martillo, pisado). Lleve sus unidades de batería dañadas al centro de servicio para que sean recicladas.

**▲ADVERTENCIA: Peligro de incendio. No guarde ni transporte la unidad de batería de manera que objetos metálicos puedan hacer contacto con los terminales expuestos de la batería.** Por ejemplo, no ponga la unidad de batería en delanteles, bolsillos, cajas de herramientas, estuches de productos, cajones, etc., junto con clavos, tornillos, llaves, etc., sueltos. **El transporte de baterías puede causar incendios si sus terminales inadvertidamente entran en contacto con materiales conductores como llaves, monedas, herramientas de mano y otros por el estilo.** El Reglamento sobre Materiales Peligrosos (HMR) del Ministerio de Transporte de los Estados Unidos actualmente prohíbe el transporte de baterías en el comercio o en aviones (por ejemplo, embaladas en maletas y maletines de mano) A NO SER que estén debidamente protegidas para prevenir cortocircuitos. Por lo tanto, cuando transporte unidades de batería individuales, asegúrese de que sus terminales estén protegidos y debidamente aislados de materiales que pudieran entrar en contacto con ellos y causar un cortocircuito.

## INSTRUCCIONES DE SEGURIDAD ESPECÍFICAS PARA BATERÍAS DE IONES DE LITIO (Li-Ion)

- **No incinere la unidad de batería, aunque esté completamente dañada o descargada. La unidad de batería puede explotar si se quema.** Cuando se queman unidades de batería de iones de litio, se producen gases y materiales tóxicos.
- **Si el contenido de la batería entra en contacto con la piel, lave el área de inmediato con agua y un jabón suave.** Si el líquido de la batería entra en contacto con sus ojos, enjuáguelos con agua y los ojos abiertos por 15 minutos o hasta que cese la irritación. Si se requiere de asistencia médica, el electrolito de la

batería está compuesto por una mezcla de carbonatos orgánicos líquidos y sales de litio.

- **El contenido de los elementos abiertos de la batería puede causar irritación en el tracto respiratorio.** Salga al aire fresco. Si los síntomas persisten, busque asistencia médica.

**⚠ADVERTENCIA:** Peligro de quemaduras. El líquido de la batería puede ser inflamable si se expone a chispas o llamas.

### **El sello RBRC®**

El sello RBRC® (Rechargeable Battery Recycling Corporation) en las baterías (unidades de batería) de níquel cadmio, níquel e hidruro metálico o de iones de litio indica que el costo de reciclaje de estas baterías (o unidades de batería) al llegar al final de su vida de servicio ya ha sido pagado por DEWALT. En algunas áreas, es ilegal depositar baterías de níquel cadmio, níquel e hidruro metálico o de iones de litio gastadas en la basura o la corriente de residuos sólidos urbanos; el programa Call 2 Recycle® proporciona una alternativa ecológica.

Call 2 Recycle, Inc., en cooperación con DEWALT y otros usuarios de baterías, han establecido programas en los Estados Unidos y Canadá para facilitar la recolección de baterías de níquel cadmio, níquel e hidruro metálico o de iones de litio gastadas. Al llevar sus baterías de níquel cadmio, níquel e hidruro metálico y de iones de litio gastadas a un centro de servicio autorizado por DEWALT o al minorista local para que sean recicladas, ayuda a proteger el medio ambiente y a conservar recursos naturales. También puede comunicarse con el centro de reciclaje de su localidad para mayor información sobre dónde llevar sus baterías gastadas. RBRC® es una marca comercial registrada de Call 2 Recycle, Inc.



## **Instrucciones importantes de seguridad para todos los cargadores de baterías**

**GUARDE ESTAS INSTRUCCIONES:** Este manual contiene instrucciones de seguridad y operación importantes para los cargadores de baterías.

- Antes de usar el cargador, lea todas las instrucciones y advertencias que se encuentren en el cargador, la unidad de batería y el producto que usa la unidad de batería.

**⚠ADVERTENCIA:** Peligro de descarga eléctrica. No permita que ningún líquido se introduzca en el cargador. Puede producir descargas eléctricas.

**⚠ATENCIÓN:** Peligro de quemaduras. Para reducir el riesgo de lesiones, sólo cargue unidades de batería recargables marca DEWALT. Otros tipos de batería podrían sobrecalentarse y reventar lo que podría resultar en lesiones corporales y daños a su propiedad.

**AVISO:** Bajo ciertas condiciones, cuando el cargador está enchufado a una toma de corriente, el cargador puede hacer cortocircuito si entra en contacto con algún material ajeno. Los materiales ajenos de naturaleza conductora, como el polvo de esmerilado, las placas de metal, la lana de acero, el papel de aluminio y otros, o cualquier acumulación de partículas metálicas deberían mantenerse alejados de las cavidades del cargador. Desenchufe siempre el cargador cuando no haya una unidad de batería en su cavidad. Desenchufe el cargador antes de intentar limpiarlo.

- **NO intente cargar la unidad de batería con otros cargadores que no sean los descritos en este manual.** El cargador y la unidad de batería fueron específicamente diseñados para trabajar en conjunto.
- **Estos cargadores no fueron diseñados para ser utilizados para más que cargar las baterías recargables DEWALT.** Cualquier otro uso puede producir riesgo de incendios, descargas eléctricas o electrocución.

- **No exponga el cargador a la lluvia o a la nieve.**
- **Tire del enchufe y no del cable cuando desconecte el cargador.** De esta forma se reduce el riesgo de daño al enchufe y cable.
- **Asegúrese de que el cable no sea ubicado de manera que podría ser pisado, causar que alguien tropiece con él o ser expuesto a otro tipo de daños y desgastes.**
- **No use un alargador a menos que sea absolutamente necesario.** El uso de un alargador incorrecto podría producir riesgo de incendios, descargas eléctricas o electrocución.
- **Cuando opere un cargador al exterior, hágalo siempre en un lugar seco y use un alargador apropiado para uso al exterior.** El uso de un alargador apropiado para uso al exterior reduce el riesgo de descarga eléctrica.
- **Los hilos del alargador deben ser de un calibre apropiado (AWG o American Wire Gauge) para su seguridad.** Mientras menor sea el calibre del hilo, mayor la capacidad del cable. Es decir, un hilo calibre 16 tiene mayor capacidad que uno de 18. Un cable de un calibre insuficiente causará una caída en la tensión de la línea dando por resultado una pérdida de energía y sobrecalentamiento. Cuando se utilice más de un alargador para completar el largo total, asegúrese que los hilos de cada alargador tengan el calibre mínimo. La tabla siguiente muestra el tamaño correcto a utilizar, dependiendo de la longitud del cable y del amperaje nominal de la placa de identificación. Si tiene dudas sobre cuál calibre usar, use un calibre mayor. Cuanto menor sea el número del calibre, más resistente será el cable.

Calibre mínimo para cables de alimentación						
Amperaje		Voltios	Largo total del cordón en metros (pies)			
		120 V	7,6 (25)	15,2 (50)	30,5 (100)	45,7 (150)
		240 V	15,2 (50)	30,5 (100)	61,0 (200)	91,4 (300)
Más de	No más de	AWG				
0	6		18	16	16	14
6	10		18	16	14	12
10	12		16	16	14	12
12	16		14	12	No recomendado	

- **No coloque ningún objeto encima del cargador ni coloque a este sobre una superficie blanda que pudiera bloquear las ranuras de ventilación y resultar en un calor interno excesivo.** Coloque el cargador en un lugar alejado de cualquier fuente de calor. El cargador se ventila a través de las ranuras que se encuentran en la parte superior e inferior de la caja protectora.
- **No opere el cargador si su cable o enchufe están dañados.**
- **No opere el cargador si ha recibido un golpe agudo, si se ha caído o si ha sido dañado de alguna otra forma.** Llévelo a un centro de servicio autorizado.
- **No desarme el cargador; llévelo a un centro de servicio autorizado cuando deba ser reparado.** Si es reensamblado incorrectamente, puede causar descargas eléctricas, electrocución o incendios.
- **Desenchufe el cargador antes de intentar limpiarlo. Esto reducirá el riesgo de descargas eléctricas.** El retirar el paquete de baterías no reducirá este riesgo.



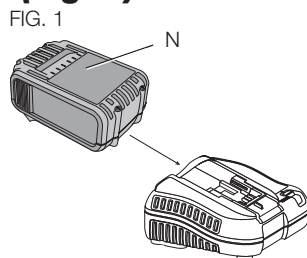
- **NUNCA** intente conectar 2 cargadores entre sí.
- **El cargador está diseñado para operar con una corriente eléctrica estándar residencial de 120 V. No intente usarlo con ningún otro voltaje.** Esto no aplica al cargador vehicular.

## Cargadores

Su herramienta utiliza un cargador DEWALT. Asegúrese de leer todas las instrucciones de seguridad antes de utilizar su cargador. Consulte el gráfico al final del manual para conocer la compatibilidad entre los cargadores y los paquetes de baterías.

### Procedimiento de carga (Fig. 1)

1. Enchufe el cargador en una toma de corriente apropiada antes de insertar la unidad de batería.
2. Inserte la unidad de batería (K) en el cargador, como se muestra en la Figura 1, comprobando que quede bien colocado dentro del mismo. La luz roja (de carga) parpadeará continuamente para indicar que se ha iniciado el proceso de carga.
3. La luz roja se quedará ENCENDIDA continuamente cuando se haya completado el proceso de carga. La unidad estará entonces completamente cargada y podrá ser utilizado de inmediato o dejarse en el cargador.



## Operación de la luz indicadora

DCB101, DCB102, DCB103

	UNIDAD EN PROCESO DE CARGA	— — — — —
	UNIDAD CARGADA	—————
	RETRASO POR UNIDAD CALIENTE/FRIA	—●—●—●—●—●
	UNIDAD O CARGADOR CON PROBLEMAS	●●●●●●●●●●●●●●

DCB107, DCB112, DCB113, DCB115

	UNIDAD EN PROCESO DE CARGA	— — — — —	
	UNIDAD CARGADA	—————	
	RETRASO POR UNIDAD CALIENTE/FRIA	— — —   ———	

## Indicadores de carga

Este cargador ha sido diseñado para detectar ciertos problemas que pudieran surgir. Estos problemas se indican mediante una luz roja intermitente rápida. Si esto ocurre, vuelva a colocar la unidad de batería en el cargador. Si el problema persiste, pruebe con otra unidad de batería para determinar si el cargador está funcionando debidamente. Si la segunda unidad de batería carga correctamente, significa que la primera está fallada y debería ser llevada a un centro de servicio u otro lugar de colección para su reciclaje. Si la segunda unidad de batería hace que el cargador indique el mismo problema que la primera, lleve el cargador y la unidad de batería a un centro de servicio autorizado para su examinación.

**RETARDO POR UNIDAD CALIENTE/FRÍA*****DCB101, DCB102, DCB103***

Estos cargadores tienen una función de retardo por batería caliente/fría. Cuando el cargador detecta una batería que está demasiado caliente o demasiado fría, automáticamente comienza un retardo y suspende la carga. La luz roja parpadeará a intervalos largos, luego cortos cuando esté en modo de retardo por batería caliente/fría.

Una vez que la batería ha alcanzado una temperatura óptima, el cargador automáticamente reanuda el procedimiento de carga. Esta función garantiza la máxima duración de la batería.

***DCB107, DCB112, DCB113, DCB115***

Estos cargadores tienen una función de retardo por batería caliente/fría. Cuando el cargador detecta una batería que está demasiado caliente o demasiado fría, automáticamente comienza un retardo y suspende la carga. La luz roja continuará parpadeando, pero la luz indicadora amarilla estará iluminada durante esta suspensión.

Una vez que la batería ha alcanzado una temperatura óptima, la luz amarilla se apagará y el cargador automáticamente reanudará el procedimiento de carga. Esta función garantiza la máxima duración de la batería.

**PERMANENCIA DE LA UNIDAD DE BATERÍA EN EL CARGADOR**

El cargador y la unidad de batería pueden dejarse conectados con la luz del cargador indicando que la unidad está cargada.

**UNIDADES DE BATERÍA DESGASTADAS:** Las baterías desgastadas seguirán funcionando pero no debe esperarse que tengan capacidad para la misma cantidad de trabajo.

**UNIDADES DE BATERÍA DEFECTUOSAS:*****DCB101, DCB102, DCB103***

Estos cargadores no cargarán un paquete de baterías defectuoso. El cargador indicará que la unidad de batería es defectuosa al no iluminarse o al indicar que existe un problema con la unidad o el cargador.

**NOTA:** Esto también puede significar que hay un problema con el cargador.

***DCB107, DCB112, DCB113, DCB115***

Estos cargadores no cargarán un paquete de baterías defectuoso. El cargador indicará que la unidad de batería es defectuosa al no iluminarse.

**NOTA:** Esto también puede significar que hay un problema con el cargador.

***Montaje en la pared******DCB107, DCB112, DCB113, DCB115***

Estos cargadores están diseñados para montarse en la pared o colocarse en posición vertical sobre una mesa o superficie de trabajo. Si se monta en la pared, ubicar el cargador al alcance de una toma de corriente. Montar el cargador firmemente utilizando tornillos para muro seco de un mínimo de 25,4 mm (1") de largo, atornillados en madera hasta una profundidad óptima dejando el tornillo expuesto aproximadamente 5,5 mm (7/32").

***Notas importantes sobre la carga***

1. Se puede obtener una mayor duración y un mejor rendimiento si la unidad de batería se carga a una temperatura ambiente de 18–24 °C (65–75 °F). NO cargue la unidad de batería a una temperatura ambiental inferior a +4,5 °C (+40 °F) o superior a +40 °C (+104 °F). Esto es importante y evitará causar daños graves a la batería.

2. Puede que el cargador y la unidad de batería se calienten ligeramente durante el proceso de carga. Esto es normal y no representa ningún problema. Para facilitar el enfriamiento de la unidad de batería después del uso, evite colocar el cargador o la unidad de batería en un lugar cálido, como un cobertizo metálico o un remolque sin aislamiento térmico.
3. Una unidad de batería fría se demora el doble del tiempo en cargarse que una unidad de batería caliente. La unidad de batería se cargará a ese ritmo más lento durante todo el ciclo de carga y no volverá a cargarse a la velocidad de carga máxima aún cuando la unidad de batería se caliente.
4. Si la unidad de batería no se carga correctamente:
  - a. Verifique el funcionamiento de la toma enchufando una lámpara u otro aparato;
  - b. Revise que la toma de corriente no esté conectada a un interruptor de luz que corte la corriente cuando se corte la luz;
  - c. Mueva el cargador y la unidad de batería a un lugar donde la temperatura ambiental sea aproximadamente 18–24 °C (65–75 °F);
  - d. Si el problema de carga continúa, lleve la herramienta, unidad de batería y el cargador a su centro de servicio local.
5. La unidad de batería debería ser recargada cuando no sea capaz de producir suficiente potencia para trabajos que eran fácilmente realizados antes. NO CONTINÚE usándola bajo estas circunstancias. Siga el procedimiento de carga. También puede cargar una unidad de batería que haya sido usada parcialmente cuando lo desee, sin dañarla.
6. Los materiales ajenos conductores por naturaleza, tales como, pero sin limitarse a, el polvo del esmerilado, las virutas metálicas, la lana de acero, el papel de aluminio o cualquier acumulación de partículas metálicas deberían mantenerse alejados de las

cavidades del cargador. Desenchufe siempre el cargador de la toma de corriente cuando no haya una unidad de batería en su cavidad. Desenchufe el cargador antes de intentar limpiarlo.

7. No congele ni sumerja el cargador en agua o cualquier otro líquido.

**⚠ADVERTENCIA:** Peligro de descarga eléctrica. No permita que ningún líquido se introduzca en el cargador. Puede producir descargas eléctricas.

**⚠ADVERTENCIA:** Peligro de quemaduras. No sumerja la unidad de batería en líquido de ningún tipo ni permita que se introduzca ningún tipo de líquido a la unidad de batería. Nunca intente abrir la unidad de batería por ningún motivo. Si la caja plástica de la unidad de batería se triza o rompe, llévela a un centro de servicio para su reciclaje

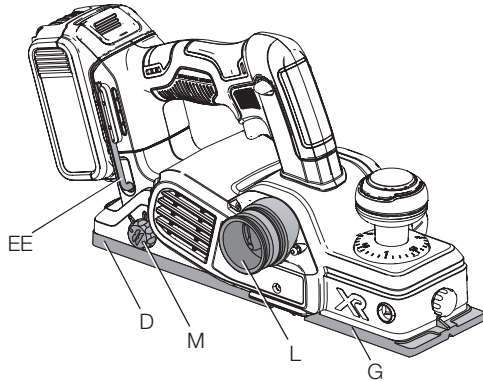
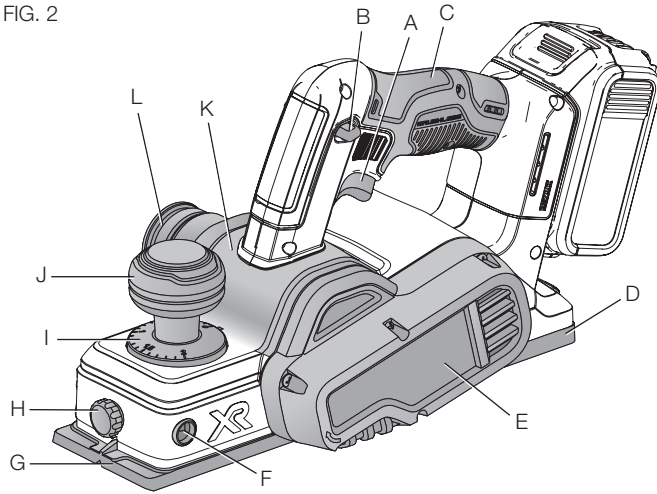
### **Recomendaciones de almacenamiento**

1. El mejor lugar de almacenamiento es uno que sea fresco y seco, lejos de la luz solar directa y del exceso de calor o frío.
2. Para resultados óptimos durante tiempos prolongados de almacenamiento, se recomienda almacenar la unidad de batería completamente cargada en un lugar fresco y seco fuera del cargador.

**NOTA:** Las unidades de batería no deberían almacenarse completamente descargadas. La unidad de batería deberá recargarse antes de ser usada.

**GUARDE ESTAS INSTRUCCIONES  
PARA VOLVER A CONSULTAR  
EN EL FUTURO**

FIG. 2



## COMPONENTES (FIG. 2)

**⚠ADVERTENCIA:** Nunca modifique la herramienta eléctrica, ni tampoco ninguna de sus piezas. Podría producir lesiones corporales.

- |   |  |
|---|--|
| A. Interruptor de gatillo                 | I. Graduación de la altura del cepillado                           |
| B. Botón de bloqueo                       | J. Perilla de ajuste de la altura del cepillado/agarradera frontal |
| C. Agarradera principal                   | K. Tolva de descarga de astillas del impulsor                      |
| D. Zapata trasera                         | L. Adaptador para polvo  |
| E. Cubierta de la banda del impulsor      | M. Botón de almacenamiento de la hoja                              |
| F. Orificio para cerco de rebajo          |  |
| G. Zapata frontal                         |  |
| H. Perilla de apriete del cerco de rebajo |  |

## USO DEBIDO

Esta cepilladora está diseñada para aplicaciones de cepillado profesional de madera y productos de madera.

**NO** utilice la herramienta en condiciones de humedad o en presencia de líquidos o gases inflamables.

Esta cepilladora es una herramienta eléctrica profesional. **NO** permita que los niños toquen la herramienta. Si el operador no tiene experiencia operando esta herramienta, su uso deberá ser supervisado.

## FUNCIONAMIENTO

**⚠ADVERTENCIA:** Para reducir el riesgo de lesiones graves, apague la herramienta y quite el paquete de baterías antes de realizar ajustes o quitar/instalar aditamentos o accesorios. Un arranque accidental puede ocasionar lesiones.

## Instalación y extracción del paquete de baterías (Fig. 3)

**NOTA:** Para obtener mejores resultados, asegúrese de que el paquete de baterías esté totalmente cargado.

Para instalar el paquete de baterías (N) en el mango de la herramienta, alinee el paquete de baterías con los rieles dentro del mango de la herramienta y deslícelo hacia el interior del mango hasta que el paquete quede asentado con firmeza en la herramienta. Asegúrese de que no se desenganche.

Para extraer el paquete de baterías de la herramienta, presione el botón de liberación (O) y tire con firmeza del paquete hacia afuera del mango de la herramienta. Insértelo en el cargador, como se describe en la sección de Cargador de este manual.

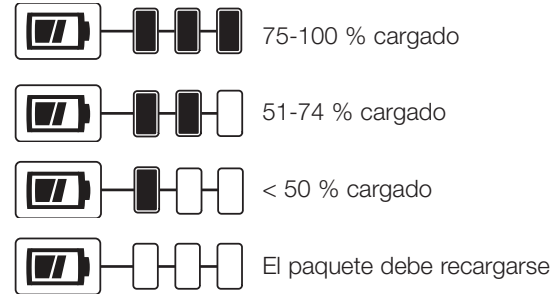
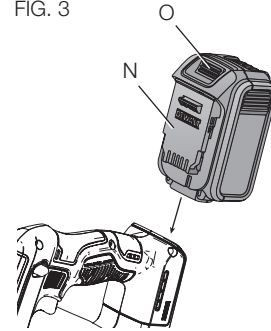
Presione el gatillo de la herramienta por tres segundos para disipar la leve carga eléctrica que aún pueda existir en la herramienta. La luz de trabajo puede encenderse por un momento.

### PAQUETES DE BATERÍAS CON MEDIDOR DE CARGA (FIG. 4)

Algunos paquetes de baterías DEWALT incluyen un medidor de carga, el cual consiste en tres luces LED verdes que indican el nivel de carga remanente en el paquete de baterías.

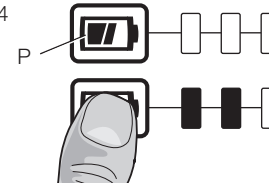
El medidor de carga es una indicación de los niveles aproximados de carga restante en el paquete de baterías de acuerdo con los indicadores siguientes:

FIG. 3



Para accionar el medidor de carga, mantenga presionado el botón del medidor de carga (P). Se iluminará un conjunto de tres luces LED verdes que designan el nivel de carga restante. Cuando el nivel de carga en la batería sea inferior al límite utilizable, el medidor de carga no se iluminará y la batería deberá recargarse.

FIG. 4



**NOTA:** El medidor de carga es solo un indicador de la carga restante en el paquete de baterías. No indica la funcionalidad de la herramienta y está sujeto a variaciones según los componentes del producto, la temperatura y la aplicación del usuario final.

Para obtener más información sobre los paquetes de baterías con medidores de carga, comuníquese al 1-800-4-DEWALT (1-800-433-9258) o visite nuestro sitio web [www.dewalt.com](http://www.dewalt.com).

## Interruptor de gatillo (Fig. 2)

**⚠ADVERTENCIA:** Esta herramienta no está prevista para bloquear el interruptor en la posición de encendido, y nunca debe bloquearse en la posición de encendido por ningún otro medio.

Libere el botón de bloqueo del interruptor de gatillo (B) presionando el botón.

**⚠ATENCIÓN:** Deje que la herramienta alcance su velocidad total antes de tocar con ella la superficie de la pieza de trabajo. Levante la herramienta de la superficie de trabajo antes de apagarla.

Para poner en funcionamiento la cepilladora, presione el interruptor de gatillo (A).

Para apagar la cepilladora, suelte el interruptor de gatillo.

## Cómo ajustar la altura del cepillado (Fig. 2)

Para ajustar la profundidad de corte, gire la perilla de ajuste de la altura del cepillado (J). Cada clic es igual a 0,1 mm de profundidad hasta la máxima profundidad de corte de aproximadamente 2,0 mm (5/64").

Se recomienda que se hagan cortes de prueba en madera de desecho después de cada reajuste, para asegurarse de que la cepilladora remueva la cantidad deseada de madera. Varios pasadas de poca profundidad (en vez de una profunda) producirán un acabado más suave.

## Cepillado (Fig. 2, 5-7)

**⚠ATENCIÓN:** Deje que la herramienta alcance su velocidad total antes de tocar con ella la superficie de la pieza de trabajo. Levante la herramienta de la superficie de trabajo antes de apagarla.

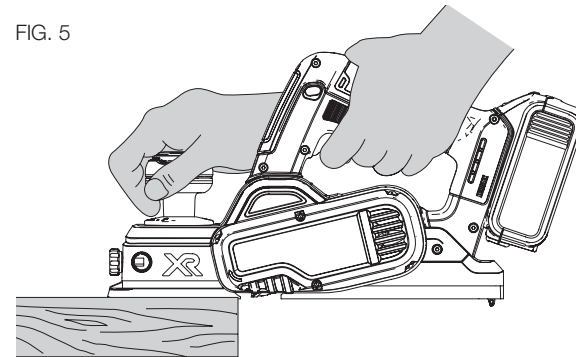
Sostenga la cepilladora en la posición correcta con una mano sobre la agarradera frontal (J) y la otra mano sobre la agarradera principal (C), como lo muestra la Figura 2. Coloque la zapata frontal (G) sobre

la superficie a ser rebajada, cerciorándose de que las hojas de corte no estén tocando la superficie. Empuje hacia abajo con firmeza en el mango delantero de la cepilladora para que la base delantera quede **COMPLETAMENTE PLANA** sobre la superficie de trabajo. Apriete el interruptor de gatillo y permita que el motor alcance su velocidad total antes de hacer tocar las hojas de la cepilladora contra la superficie de trabajo.

Mueva la herramienta lentamente para trabajar la pieza, manteniendo la presión vertical para mantenerla plana contra la pieza. Tenga especial cuidado de mantener la herramienta plana al inicio y al final de la superficie de trabajo.

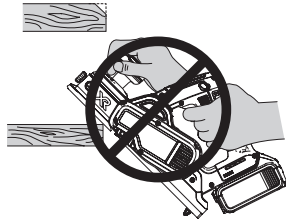
**Consejo de cepillado:** Para un aspecto más liso, agregue una pieza de madera de desecho a un extremo de la pieza que cepilla. No detenga la cepilladora hasta que las hojas de corte de la misma hayan pasado la pieza de trabajo y estén sobre el material de desecho.

FIG. 5



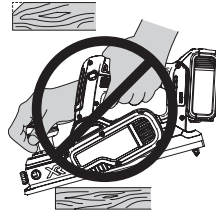
CORRECTO

FIG. 6



INCORRECTO

FIG. 7



### Cerco de rebajo (Fig. 8, 9)

**¡ADVERTENCIA!** Deje que la herramienta alcance su velocidad total antes de tocar con ella la superficie de la pieza de trabajo. Levante la herramienta de la superficie de trabajo antes de apagarla. El cerco de rebajo (Q) es utilizado para lograr un control óptimo de la herramienta sobre piezas de trabajo estrechas, y puede ser instalado en cualquier lado de su cepilladora. La cepilladora hace cortes por rebajo hasta 9 mm (23/64").

#### PARA INSTALAR EL CERCO DE REBAJO

1. Afloje la perilla de apriete del cerco de rebajo (H).
2. Deslice la barra transversal sobre el cerco de rebajo (Q) en el orificio (F) sobre el lado de la cepilladora, como lo muestra la Figura 8.
3. Fije la anchura del corte ajustando la guía de borde a través de la anchura de la zapata.
4. Apriete firmemente la perilla de apriete del cerco de rebajo (H).

**NOTA:** El cerco de rebajo debería quedar debajo de la cepilladora cuando está instalado correctamente, como se muestra en la Figura 9.

FIG. 8

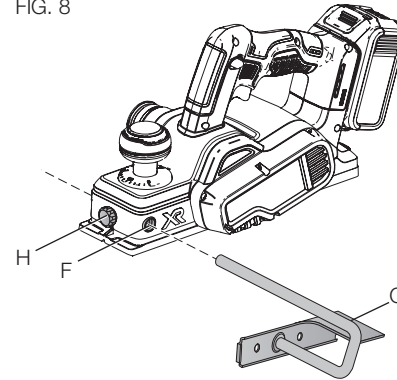
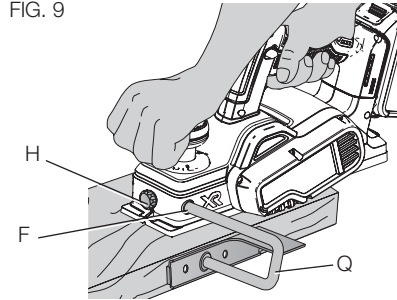


FIG. 9



#### PARA HACER UN CORTE DE REBAJO

1. Gire la perilla de apriete del cerco de rebajo (H) para ajustar la anchura de corte deseada.
2. Haga varios cortes hasta llegar a la profundidad deseada.

**NOTA:** Será necesario realizar bastantes cortes en la mayoría de las aplicaciones de rebajado.

## Para cambiar las hojas (Fig. 10, 11)

**⚠ADVERTENCIA:** Para reducir el riesgo de lesiones graves, apague la herramienta y quite el paquete de baterías antes de realizar ajustes o quitar/instalar aditamentos o accesorios. Un arranque accidental puede ocasionar lesiones.

**⚠ATENCIÓN:** Las hojas de la cepilladora son extremadamente afiladas. Manéjelas con mucho cuidado.

La cepilladora puede utilizar hojas de acero y de carburo de alta velocidad. Asegúrese de comprobar la cepilladora para verificar qué hoja tiene instalada.

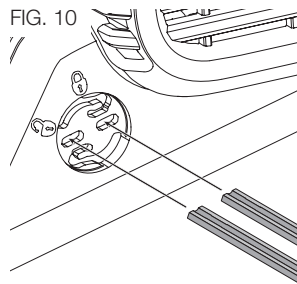
### ALMACENAMIENTO DE LA HOJA (FIG. 10)

Su cepilladora está equipada con un almacenamiento de hoja para dos hojas adicionales. Para guardar o extraer las hojas adicionales, gire el botón de almacenamiento de las hojas (M) en dirección contraria a las agujas del reloj para abrir.

### HOJAS DE ACERO DE ALTA VELOCIDAD (FIG. 11)

#### 1. Para sacar la hoja de la cepilladora (Fig. 11B)

- Afloje y saque los tres tornillos con cabeza de estrella (R) con la llave de cabeza de estrella T25 (EE) provista. Retire la cubierta del tambor (S) del tambor (T).
- Retire la unidad de la barra de guía/hoja de acero de alta velocidad (U, V, W).



#### 2. Para ajustar la hoja utilizando la placa de calibre (provista con la herramienta (Fig. 11C))

- Coloque la unidad de la barra de guía/hoja de acero de alta velocidad en la placa de calibre (X) con el borde de corte de la hoja de acero de alta velocidad al ras de la pared interior de la placa de calibre (Y). El extremo de la barra de guía (W) traslapará el extremo de la placa de calibre (X).
- Afloje los dos tornillos en forma de cruz (V) con un destornillador.
- Simultáneamente sujete el borde de la hoja (U) contra la pared interior de la placa de calibre (Y) y el extremo de la barra de guía (W) contra el borde posterior de la placa de calibre. Apriete firmemente los tornillos en forma de cruz (V).

#### 3. Para volver a instalar la hoja (Fig. 10A, 10B)

- Saque con cuidado la unidad de la barra de guía/hoja de acero de alta velocidad ajustada de la placa de calibre (X) y ponga el extremo de la barra de guía (W) en la ranura del tambor (T).
  - Fije la cubierta del tambor (S) por encima de la unidad de barra de guía/hoja de acero de alta velocidad ajustada y apriete bien los tres tornillos con cabeza de estrella (R) en el tambor.
4. Repita el procedimiento para la otra hoja.

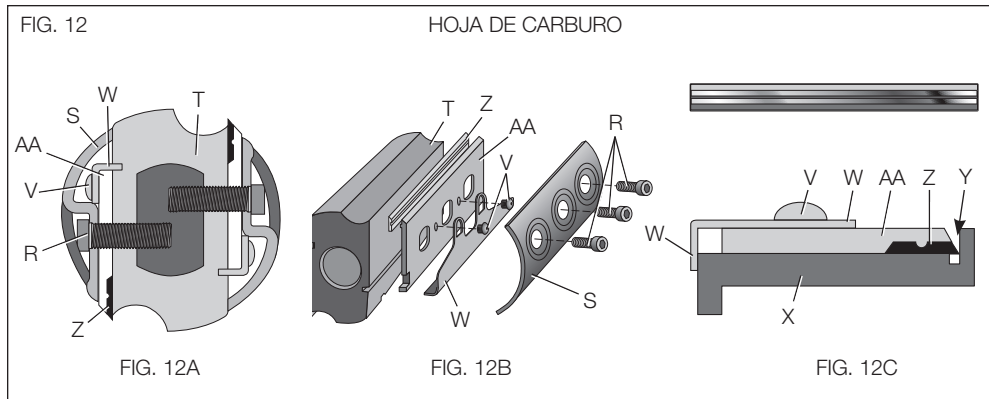
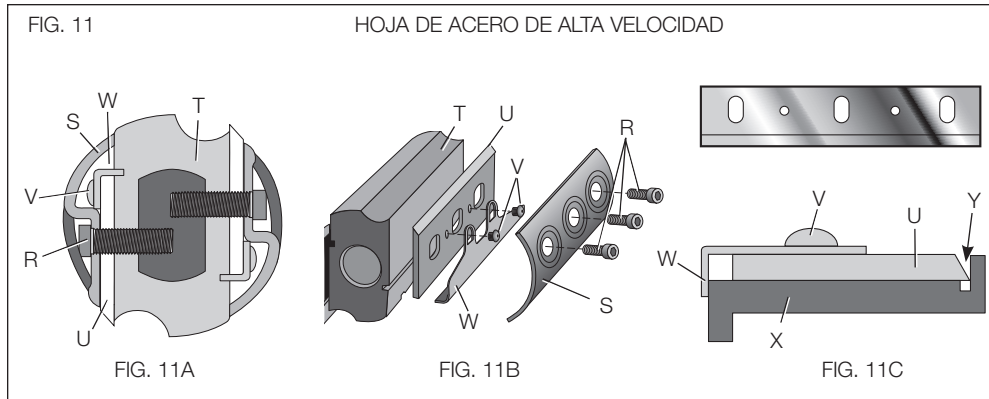
**NOTA:** Para utilizar hojas de acero de alta velocidad con esta cepilladora, se requiere el soporte de afilado (BB) para afilar las hojas de acero de alta velocidad y puede obtenerse por un costo adicional de su centro de servicio DEWALT autorizado.

### HOJAS DE CARBURO REVERSIBLES (FIG. 12)

#### 1. Para sacar la hoja de la cepilladora (Fig. 12B)

- Afloje y saque los tres tornillos con cabeza de estrella (R) con la llave de estrella T25 (EE) provista. Retire la cubierta del tambor (S) del tambor (T).
- Retire la unidad del porta-hojas/barra de guía (V, W, Z). Retire con cuidado la hoja de carburo (Z).





## 2. Para ajustar la hoja utilizando la placa de calibre (provista con la herramienta) (Fig. 12C)

- Coloque el borde afilado de la hoja de carburo (Z) en la placa de calibre (X) con el lado ranurado de la hoja de carburo mirando hacia arriba. Cualquiera de los bordes de la hoja de carburo reversible puede fijarse al ras de la pared interior de la placa de calibre (Y).
- Coloque la unidad del porta-hojas/barra de guía en la hoja para que el reborde del porta-hojas (AA) encaje en la ranura de la hoja de carburo (Z). El extremo de la barra de guía (W) sobresaldrá del extremo de la placa de calibre (X).
- Afloje los dos tornillos en forma de cruz (V) con un destornillador.
- Simultáneamente sujete el porta-hojas (AA) y la hoja (Z) contra la pared interior de la placa de calibre (Y) mientras sujeta el extremo de la barra de guía (W) contra el borde posterior de la placa de calibre. Apriete firmemente los tornillos en forma de cruz (V).

## 3. Para volver a colocar la hoja (Fig. 12A, 12B)

- Saque la unidad del porta-hojas/barra de guía ajustada de la placa

de calibre (X) y ponga el extremo de la barra de guía (W) en la ranura del tambor (T).

- Ponga la cubierta del tambor (S) por encima de la unidad del porta-hojas/barra de guía. Atornille sin apretar los tres tornillos de cabeza de estrella (R) en el tambor (T) para que haya una pequeña distancia entre el tambor y el porta-hojas (AA).
- Deslice la hoja de carburo entre el tambor (T) y el porta-hojas (AA) del lado para que el reborde del porta-hojas se fije en la ranura de la hoja.
- Centre la hoja de carburo (Z) bajo el porta-hojas (AA) asegurándose de que la hoja esté alejada de la caja protectora de la herramienta en ambos lados.
- Apriete fijamente los tres tornillos de cabeza de estrella (R) en el tambor.

4. Repita el procedimiento para la otra hoja.

**NOTA:** Si su cepilladora no viene con hojas de carburo, el porta-hojas (AA) requerido para las hojas de carburo puede obtenerse por un costo adicional de su centro de servicio autorizado DEWALT.

### Afilado de hojas de acero de alta velocidad (Fig. 13)

**⚠ PRECAUCIÓN:** Las hojas de la cepilladora son extremadamente afiladas. Manéjelas con mucho cuidado.

**NOTA:** Las hojas de carburo no pueden afilarse.

- Ajuste las hojas al soporte de afilado (BB). Asegúrese de que los bordes de las hojas (U) estén mirando hacia la misma dirección.

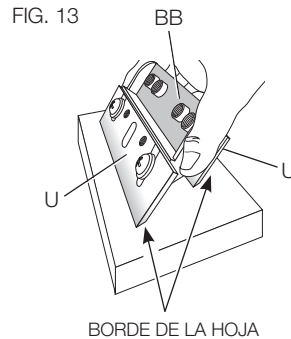


FIG. 13

- Ponga los bordes de la hoja de modo que queden planos sobre la piedra de afilar (no incluida).
- Sujete el soporte de afilado firmemente y muévalo hacia atrás y hacia adelante para afilar las hojas (U).

### Pie de apoyo (Fig. 14)

Su cepilladora está equipada con un pie de apoyo (CC) que se baja automáticamente cuando la herramienta se levanta de la superficie de trabajo permitiendo que la cepilladora se ponga sobre la superficie de trabajo sin que la hoja la toque. Al cepillar, el pie de apoyo se levanta cuando la herramienta se empuja hacia adelante a través del material. Si el pie de apoyo obstruye un trabajo de cepillado especial, puede guardarse y apartarse.

**⚠ ATENCIÓN:** Asegúrese de que el pie de apoyo esté extendido correctamente al poner la cepilladora sobre una superficie de trabajo.

### Achaflanado de bordes (Fig. 15)

Su cepilladora tiene una ranura de achaflanado (DD) mecanizada con precisión en la base delantera para cepillar a lo largo de una esquina de la madera. La anchura de la ranura es de 4.5 a 8 mm. Es buena idea probar en un trozo de madera de desecho antes de realizar el trabajo de acabado.

FIG. 14

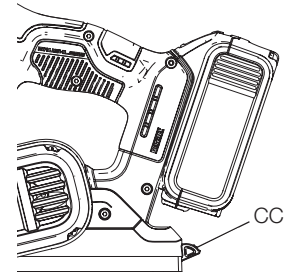
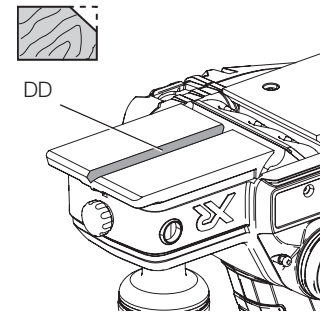


FIG. 15

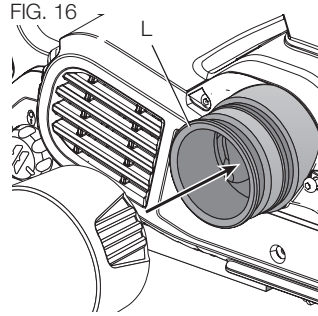


## Extracción de polvo (Fig. 2, 16)

La cepilladora tiene una boquilla de extracción de polvo (L) incorporada que permite conectar una bolsa para polvo o una aspiradora de taller. El orificio de salida incorporado utiliza el sistema de conexión AirLock de DEWALT, haciendo que sea compatible con el extractor de polvo DEWALT.

### PARA FIJAR LA BOLSA PARA POLVO

Mientras sujeta la cepilladora, deslice el collarín de la bolsa para polvo en la boquilla de extracción de polvo (L) como se muestra en la Figura 16.



### PARA VACIAR LA BOLSA PARA POLVO

1. Mientras sujeta la cepilladora, retire la bolsa para polvo deslizando la de la boquilla de extracción de polvo (L).
2. Sacuda o golpee suavemente la bolsa para polvo para vaciarla.
3. Vuelva a colocar la bolsa para polvo en la salida.

Quizás observe que todo el polvo no saldrá de la bolsa. Esto no afectará el desempeño del cepillado pero sí la eficacia de recolección de polvo de la cepilladora. Para recuperar la eficacia de recolección de polvo de su cepilladora, presione el muelle del interior de la bolsa para polvo cuando la esté vaciando y golpéela contra el lado del cubo de la basura o recipiente para polvo.

**NOTA:** Un adaptador AirLock DEWALT (DWW9000) puede comprarse por separado para conectar una aspiradora de taller o extractor de polvo DEWALT a su cepilladora.

**⚠ATENCIÓN:** No opere nunca estas herramientas a menos que el colector de polvo esté en su sitio. El polvo del cepillado puede crear un peligro para la respiración.

## MANTENIMIENTO

**⚠ADVERTENCIA:** Para reducir el riesgo de lesiones graves, apague la herramienta y quite el paquete de baterías antes de realizar ajustes o quitar/instalar aditamentos o accesorios. Un arranque accidental puede ocasionar lesiones.

### Limpeza

**⚠ADVERTENCIA:** Expulse la suciedad y el polvo de todas las ventilaciones de aire con aire limpio y seco al menos una vez por semana. Para minimizar el riesgo de lesión ocular, siempre utilice protección ocular aprobada por ANSI Z87.1 al realizar esta tarea.

**⚠ADVERTENCIA:** Nunca use solventes ni otros productos químicos abrasivos para limpiar las partes no metálicas de la herramienta. Estos productos químicos pueden debilitar los materiales de plástico usados en estas partes. Use un paño humedecido solo con agua y jabón neutro. Nunca permita el ingreso de líquido en la herramienta; nunca sumerja ninguna parte de la herramienta en líquido.

### INSTRUCCIONES DE LIMPIEZA DEL CARGADOR

**⚠ADVERTENCIA:** Riesgo de descarga. Desconecte el cargador del tomacorriente de CA antes de limpiarlo. Se puede extraer suciedad y grasa del exterior del cargador con un trapo o cepillo no metálico suave. No use agua ni ninguna solución de limpieza.

### INSTRUCCIONES DE LIMPIEZA DE LA TOLVA DE DESCARGA DE VIRUTAS

Si la unidad está obstruida con polvo o virutas, use un palo no metálico para desobstruir la tolva de descarga de virutas (K). No ponga nunca el dedo en la tolva.

## Accesorios

**▲ADVERTENCIA:** Como los accesorios, fuera de los ofrecidos por DEWALT, no han sido probados con este producto, el uso de tales accesorios con esta herramienta podría ser peligroso. Para reducir el riesgo de lesiones, solo debe usar accesorios recomendados por DEWALT con este producto.

Los accesorios recomendados para usar con su herramienta están disponibles a un costo adicional con su distribuidor local o centro técnico autorizado. Si necesita asistencia para ubicar un accesorio, contacte a DEWALT Industrial Tool Co., 701 East Joppa Road, Towson, MD 21286, llame al 1-800-4-DEWALT (1-800-433-9258) o visite nuestro sitio web: [www.dewalt.com](http://www.dewalt.com).

## Reparaciones

El cargador y el paquete de baterías no pueden repararse. Para garantizar la SEGURIDAD y CONFIABILIDAD del producto, las reparaciones, el mantenimiento y los ajustes deben ser realizados por un centro técnico de fábrica de DEWALT, un centro técnico autorizado de DEWALT u otro personal técnico calificado. Utilice siempre piezas de repuesto idénticas.

### PARA REPARACIÓN Y SERVICIO DE SUS HERRAMIENTAS ELÉCTRICAS, FAVOR DE DIRIGIRSE AL CENTRO DE SERVICIO MÁS CERCANO

#### CULIACAN, SIN

Blvd.Emiliano Zapata 5400-1 Poniente  
Col. San Rafael (667) 717 89 99

#### GUADALAJARA, JAL

Av. La Paz #1779 - Col. Americana Sector Juárez (33) 3825 6978

#### MEXICO, D.F.

Eje Central Lázaro Cárdenas No. 18  
Local D, Col. Obrera (55) 5588 9377

#### MERIDA, YUC

Calle 63 #459-A - Col. Centro (999) 928 5038

#### MONTERREY, N.L.

Av. Francisco I. Madero 831 Poniente - Col. Centro (818) 375 23 13

#### PUEBLA, PUE

17 Norte #205 - Col. Centro (222) 246 3714

#### QUERETARO, QRO

Av. San Roque 274 - Col. San Gregorio (442) 2 17 63 14

#### SAN LUIS POTOSI, SLP

Av. Universidad 1525 - Col. San Luis (444) 814 2383

#### TORREON, COAH

Blvd. Independencia, 96 Pte. - Col. Centro (871) 716 5265

#### VERACRUZ, VER

Prolongación Díaz Mirón #4280 - Col. Remes (229) 921 7016

#### VILLAHERMOSA, TAB

Constitución 516-A - Col. Centro (993) 312 5111

#### PARA OTRAS LOCALIDADES:

Si se encuentra en México, por favor llame al (55) 5326 7100

Si se encuentra en U.S., por favor llame al  
1-800-433-9258 (1-800 4-DEWALT)

## Póliza de Garantía

IDENTIFICACIÓN DEL PRODUCTO:

Sello o firma del Distribuidor.

Nombre del producto: \_\_\_\_\_ Mod./Cat.: \_\_\_\_\_

Marca: \_\_\_\_\_ Núm. de serie: \_\_\_\_\_

(Datos para ser llenados por el distribuidor)

Fecha de compra y/o entrega del producto: \_\_\_\_\_

Nombre y domicilio del distribuidor donde se adquirió el producto: \_\_\_\_\_

Este producto está garantizado por un año a partir de la fecha de entrega, contra cualquier defecto en su funcionamiento, así como en materiales y mano de obra empleados para su fabricación. Nuestra garantía incluye la reparación o reposición del producto y/o componentes sin cargo alguno para el cliente, incluyendo mano de obra, así como los gastos de transportación razonablemente erogados derivados del cumplimiento de este certificado.

Para hacer efectiva esta garantía deberá presentar su herramienta y esta póliza sellada por el establecimiento comercial donde se adquirió el producto, de no contar con ésta, bastará la factura de compra.

### **EXCEPCIONES**

Esta garantía no será válida en los siguientes casos:

- Cuando el producto se hubiese utilizado en condiciones distintas a las normales;
- Cuando el producto no hubiese sido operado de acuerdo con el instructivo de uso que se acompaña;
- Cuando el producto hubiese sido alterado o reparado por personas distintas a las enlistadas al final de este certificado.

Anexo encontrará una relación de sucursales de servicio de fábrica, centros de servicio autorizados y franquiciados en la República Mexicana, donde podrá hacer efectiva su garantía y adquirir partes, refacciones y accesorios originales.

### **Registro en línea**

Gracias por su compra. Registre su producto ahora para:

- **SERVICIO EN GARANTÍA:** Si completa esta tarjeta, podrá obtener un servicio en garantía más eficiente, en caso de que exista un problema con su producto.
- **CONFIRMACIÓN DE PROPIEDAD:** En caso de una pérdida que cubra el seguro, como un incendio, una inundación o un robo, el registro de propiedad servirá como comprobante de compra.

- **PARA SU SEGURIDAD:** Si registra el producto, podremos comunicarnos con usted en el caso improbable que se deba enviar una notificación de seguridad conforme a la Federal Consumer Safety Act (Ley Federal de Seguridad de Productos para el Consumidor).

Registro en línea en [www.dewalt.com/register](http://www.dewalt.com/register).

### **Garantía limitada por tres años**

DEWALT reparará, sin cargo, cualquier falla que surja de defectos en el material o la fabricación del producto, por hasta tres años a contar de la fecha de compra. Esta garantía no cubre fallas de las piezas causadas por su desgaste normal o abuso a la herramienta. Para mayores detalles sobre la cobertura de la garantía e información acerca de reparaciones realizadas bajo garantía, visítenos en [www.dewalt.com](http://www.dewalt.com) o diríjase al centro de servicio más cercano. Esta garantía no aplica a accesorios o a daños causados por reparaciones realizadas o intentadas por terceros. Esta garantía le otorga derechos legales específicos, además de los cuales puede tener otros dependiendo del estado o la provincia en que se encuentre.

Además de la garantía, las herramientas DEWALT están cubiertas por:

#### **1 AÑO DE SERVICIO GRATUITO**

DEWALT mantendrá la herramienta y reemplazará las piezas gastadas por su uso normal, sin cobro, en cualquier momento durante un año a contar de la fecha de compra. Los artículos gastados por la clavadora, tales como la unidad de hoja y retorno del impulsador, no están cubiertas.

#### **2 AÑOS DE SERVICIO GRATUITO PARA UNIDADES DE ALIMENTACIÓN DEWALT**

DC9071, DC9091, DC9096, DC9280, DC9360, DC9180, DCB120, DCB127, DCB201, DCB203, DCB203BT, DCB207

### 3 AÑOS DE SERVICIO GRATUITO PARA UNIDADES DE ALIMENTACIÓN DeWALT

DCB200, DCB204, DCB204BT, DCB205

#### UNIDADES DE BATERÍA DeWALT

La garantía del producto quedará nula si la unidad de batería ha sido alterada de cualquier manera. DeWALT no es responsable de ninguna lesión causada por alteraciones y podría iniciar un procedimiento judicial por fraude de garantía hasta el máximo grado permisible por la ley.

#### GARANTÍA DE REEMBOLSO DE SU DINERO POR 90 DÍAS

Si no está completamente satisfecho con el desempeño de su máquina herramienta, láser o clavadora DeWALT, cualquiera sea el motivo, podrá devolverlo hasta 90 días de la fecha de compra con su recibo y obtener el reembolso completo de su dinero – sin necesidad de responder a ninguna pregunta.

**AMÉRICA LATINA:** Esta garantía no se aplica a los productos que se venden en América Latina. Para los productos que se venden en América Latina, debe consultar la información de la garantía específica del país que viene en el empaque, llamar a la compañía local o visitar el sitio Web a fin de obtener esa información.

### REEMPLAZO GRATUITO DE LAS ETIQUETAS DE ADVERTENCIAS:

Si sus etiquetas de advertencia se vuelven ilegibles o faltan, llame al 1-800-433-9258 (1-800-4-DeWALT) para que se le reemplacen gratuitamente.

**DCP580** 2mm PLANER

20V (Max)

**⚠️ WARNING** TO REDUCE THE RISK OF INJURY, USER MUST READ INSTRUCTION MANUAL. KEEP HANDS ON FRONT HANDLE AND SWITCH HANDLE. KEEP HANDS CLEAR OF BLADES BELOW. BEFORE OPERATING, BE SURE CUTTER BLADES ARE SECURE. ALWAYS USE PROPER EYE AND RESPIRATORY PROTECTION. USE DEWALT BATTERIES.

SER.

**⚠️ ADVERTENCIA**  
PARA EL MANEJO SEGURO LEA EL MANUAL DE INSTRUCCIONES. MANTENGA LAS MANOS EN EL MANGO DELANTERO Y EL MANGO DEL INTERRUPTOR, MANTENGA LAS MANOS ALEJADAS DE LAS HOJAS DE CORTA. ANTES DE USAR LA HERRAMIENTA, COMPRUEBE QUE LAS HOJAS DE CORTE ESTÉN BIEN INSTALADAS. UTILIZAR CON BATERÍAS DeWALT. UTILIZAR PROTECCIÓN OCULAR Y RESPIRATORIA.

**⚠️ AVERTISSEMENT**  
À TITRE PRÉVENTIF, LIRE LE GUIDE. MAINTENIR LES MAINS SUR LA POIGNÉE AVANT ET LA POIGNÉE DE L'INTERRUPTEUR, MAINTENIR LES MAINS ÉLOIGNÉES DE LA LAME D'ESSAIE. AVANT TOUTE UTILISATION, S'ASSURER QUE LES ORGANES DE COUPE SONT SOIGNEUSEMENT ARRIMÉS. UTILISER AVEC LES BLOCS-PILES DeWALT. UTILISER DES PROTECTIONS OCULAIRES ET RESPIRATOIRES.

DEWALT INDUSTRIAL TOOL CO. TOWSON, MD 21286 USA  
FOR SERVICE INFORMATION CALL: 1-800-4-DEWALT [www.DEWALT.com](http://www.DEWALT.com)

#### ESPECIFICACIONES

	DCP580
Tensión de alimentación	20V
Rotación sin carga:	15,000 rpm



DeWALT Battery and Charger Systems

Chargers/Charge Time (Minutes) – Chargeurs/Durée de charge (Minutes) – Cargadores de baterías/Tiempo de carga (Minutos)

Battery Cat #	Output Voltage	120 Volts																			12 Volts						
		DC011	DC022	DC9000	DC9310	DC9320	DCB095	DCB101	DCB102	DCB103	DCB107	DCB112	DCB114	DCB115	DW911	DW9106	DW9107	DW9108	DW9116	DW9117	DW9118	DW9216	DW9226	DCB119	DW0249	DW9109	DC9319
DCB404	40	X	X	X	X	X	X	X	X	X	X	X	X	90	X	X	X	X	X	X	X	X	X	X	X	X	X
DCB406	40	X	X	X	X	X	X	X	X	X	X	X	X	130	X	X	X	X	X	X	X	X	X	X	X	X	X
DC9360	36	X	X	45	X	X	X	X	X	X	X	X	X	X	X	X	X	X	X	X	X	X	X	X	X	X	X
DCB361	36	X	X	45	X	X	X	X	X	X	X	X	X	X	X	X	X	X	X	X	X	X	X	X	X	X	X
DC9280	28	X	X	60	X	X	X	X	X	X	X	X	X	X	X	X	X	X	X	X	X	X	X	X	X	X	X
DW0242	24	X	X	X	X	X	X	X	X	X	X	X	X	X	X	X	X	X	X	X	X	X	X	X	X	X	X
DCB200	20	X	X	X	X	X	60	60	60	140	90	67	X	45	X	X	X	X	X	X	X	X	X	X	90	X	X
DCB201	20	X	X	X	X	X	30	30	30	70	45	35	X	22	X	X	X	X	X	X	X	X	X	X	45	X	X
DCB203/BT*	20	X	X	X	X	X	35	35	35	90	60	45	X	30	X	X	X	X	X	X	X	X	X	60	X	X	X
DCB204/BT*	20	X	X	X	X	X	70	70	70	185	120	90	X	60	X	X	X	X	X	X	X	X	X	120	X	X	X
DCB205	20	X	X	X	X	X	90	90	90	240	150	112	X	75	X	X	X	X	X	X	X	X	X	150	X	X	X
DCB207	20	X	X	X	X	X	30	30	30	60	40	30	X	22	X	X	X	X	X	X	X	X	X	X	X	X	X
DC9096	18	60	60	X	60	60	X	X	60	X	X	X	X	X	60	X	X	60	60	20	X	60	130	X	X	60	60
DC9099	18	45	45	X	45	45	X	X	45	X	X	X	X	45	X	X	45	45	15	X	45	95	X	X	45	45	
DC9182	18	X	X	X	40	40	X	X	40	X	X	X	X	X	X	X	X	X	X	X	X	X	X	X	X	X	40
DW9096	18	60	60	X	60	60	X	X	60	X	X	X	X	60	X	X	60	60	20	X	60	130	X	X	X	60	60
DW9098	18	30	30	X	30	30	X	X	30	X	X	X	X	30	X	X	30	30	12	X	30	60	X	X	30	30	30
DW9099	18	45	45	X	45	45	X	X	45	X	X	X	X	45	X	X	45	45	15	X	45	95	X	X	45	45	45
DC9091	14.4	60	60	X	60	60	X	X	60	X	X	X	X	60	90	60	60	60	20	115	60	115	X	X	60	60	60
DC9094	14.4	45	45	X	45	45	X	X	45	X	X	X	X	45	60	45	45	45	15	90	45	90	X	X	45	45	45
DW9091	14.4	45	45	X	45	45	X	X	45	X	X	X	X	45	60	45	45	45	15	90	45	90	X	X	45	45	45
DW9094	14.4	30	30	X	30	30	X	X	30	X	X	X	X	30	45	30	30	30	12	60	30	60	X	X	30	30	30
DCB120	12	X	X	X	X	X	30	30	30	60	45	35	X	20	X	X	X	X	X	X	X	X	45	X	X	X	X
DCB127	12	X	X	X	X	X	35	35	35	90	60	50	X	30	X	X	X	X	X	X	X	X	60	X	X	X	X
DC9071	12	60	60	X	60	60	X	X	60	X	X	X	X	60	90	60	60	60	20	115	60	115	X	X	60	60	
DW9050	12	X	X	X	X	X	X	X	X	X	X	X	X	X	40	X	X	X	X	X	X	X	X	X	X	X	X
DW9071	12	45	45	X	45	45	X	X	45	X	X	X	X	45	60	45	45	45	15	90	45	90	X	X	45	45	45
DW9072	12	30	30	X	30	30	X	X	30	X	X	X	X	30	45	30	30	30	12	60	30	60	X	X	30	30	30
DW9048	9.6	X	X	X	X	X	X	X	X	X	X	X	X	X	40	X	X	X	X	X	X	X	X	X	X	X	X
DW9061	9.6	45	45	X	45	45	X	X	45	X	X	X	X	45	60	45	45	45	15	90	45	90	X	X	45	45	45
DW9062	9.6	30	30	X	30	30	X	X	30	X	X	X	X	30	45	30	30	30	12	60	30	60	X	X	30	30	30
DCB080	8	X	X	X	X	60	X	X	X	X	X	X	X	X	X	X	X	X	X	X	X	X	X	X	X	X	X
DW9057	7.2	30	30	X	30	30	X	X	30	X	X	X	X	30	45	30	30	30	12	60	30	60	X	X	30	30	30

\*B1 - Bluetooth\*

NOTE: The Bluetooth® word mark and logos are registered trademarks owned by the Bluetooth® SIG, Inc. and any use of such marks by DeWALT is under license. Other trademarks and trade names are those of their respective owners.

**"X" Indicates that the battery pack is not compatible with that specific charger. All charge times are approximate. Actual charge time may vary. Read the instruction manual for more specific information.**

"X" indique que le bloc-piles n'est pas compatible avec ce chargeur. Les durées de charge sont approximatives; la durée de charge réelle peut varier. Lire le manuel d'utilisation pour obtenir des renseignements plus précis.  
Una "X" indica que el paquete de baterías no es compatible con ese determinado cargador. El tiempo de duración de carga es aproximado; la duración de carga real puede variar. Lea el manual de instrucciones para obtener información más precisa.

- \* Maximum initial battery voltage (measured without a workload) is 20 volts. Nominal voltage is 18.
- \* La tension initiale maximum du bloc-piles (mesurée à vide) est de 20 volts. La tension nominale est de 18.
- \* El máximo voltaje inicial de la batería (medido sin carga de trabajo) es 20 voltios. El voltaje nominal es de 18.

DeWALT Industrial Tool Co., 701 East Joppa Road, Baltimore, MD 21286  
(NOV15) Part No. N452460 DCP580 Copyright © 2010, 2014, 2015 DeWALT

The following are trademarks for one or more DeWALT power tools: the yellow and black color scheme; the "D" shaped air intake grill; the array of pyramids on the handgrip; the kit box configuration; and the array of lozenge-shaped humps on the surface of the tool.