

*If you have questions or comments, contact us.
Pour toute question ou tout commentaire, nous contacter.
Si tiene dudas o comentarios, contáctenos.*

1-800-4-DEWALT • www.dewalt.com

**INSTRUCTION MANUAL
GUIDE D'UTILISATION
MANUAL DE INSTRUCCIONES**

INSTRUCTIVO DE OPERACIÓN, CENTROS DE SERVICIO Y PÓLIZA DE GARANTÍA. **ADVERTENCIA:** LÉASE ESTE INSTRUCTIVO ANTES DE USAR EL PRODUCTO.

DEWALT®

**DCS350
20V Max* Cordless Threaded Rod Cutter
Pince à couper les tiges filetées sans fil 20 V Max
Cortadora de varillas roscadas inalámbrica de 20 V máx.**



Definitions: Safety Guidelines

The definitions below describe the level of severity for each signal word. Please read the manual and pay attention to these symbols.

⚠ DANGER: Indicates an imminently hazardous situation which, if not avoided, **will** result in **death or serious injury**.

⚠ WARNING: Indicates a potentially hazardous situation which, if not avoided, **could** result in **death or serious injury**.

⚠ CAUTION: Indicates a potentially hazardous situation which, if not avoided, **may** result in **minor or moderate injury**.

NOTICE: Indicates a practice **not related to personal injury** which, if not avoided, **may** result in **property damage**.

IF YOU HAVE ANY QUESTIONS OR COMMENTS ABOUT THIS OR ANY DEWALT TOOL, CALL US TOLL FREE AT: **1-800-4-DEWALT (1-800-433-9258)**.



WARNING: To reduce the risk of injury, read the instruction manual.

General Power Tool Safety Warnings



WARNING! Read all safety warnings and all instructions.

Failure to follow the warnings and instructions may result in electric shock, fire and/or serious injury.

SAVE ALL WARNINGS AND INSTRUCTIONS FOR FUTURE REFERENCE

The term "power tool" in the warnings refers to your mains-operated (corded) power tool or battery-operated (cordless) power tool.

1) WORK AREA SAFETY

- Keep work area clean and well lit.** Cluttered or dark areas invite accidents.
- Do not operate power tools in explosive atmospheres, such as in the presence of flammable liquids, gases or dust.** Power tools create sparks which may ignite the dust or fumes.
- Keep children and bystanders away while operating a power tool.** Distractions can cause you to lose control.

2) ELECTRICAL SAFETY

- Power tool plugs must match the outlet. Never modify the plug in any way. Do not use any adapter plugs with earthed (grounded) power tools.** Unmodified plugs and matching outlets will reduce risk of electric shock.
- Avoid body contact with earthed or grounded surfaces such as pipes, radiators, ranges and refrigerators.** There is an increased risk of electric shock if your body is earthed or grounded.
- Do not expose power tools to rain or wet conditions.** Water entering a power tool will increase the risk of electric shock.
- Do not abuse the cord. Never use the cord for carrying, pulling or unplugging the power tool. Keep cord away from heat, oil, sharp edges or moving parts.** Damaged or entangled cords increase the risk of electric shock.
- When operating a power tool outdoors, use an extension cord suitable for outdoor use.** Use of a cord suitable for outdoor use reduces the risk of electric shock.
- If operating a power tool in a damp location is unavoidable, use a ground fault circuit interrupter (GFCI) protected supply.** Use of a GFCI reduces the risk of electric shock.

3) PERSONAL SAFETY

- a) **Stay alert, watch what you are doing and use common sense when operating a power tool. Do not use a power tool while you are tired or under the influence of drugs, alcohol or medication.** A moment of inattention while operating power tools may result in serious personal injury.
- b) **Use personal protective equipment. Always wear eye protection.** Protective equipment such as dust mask, non-skid safety shoes, hard hat, or hearing protection used for appropriate conditions will reduce personal injuries.
- c) **Prevent unintentional starting. Ensure the switch is in the off position before connecting to power source and/or battery pack, picking up or carrying the tool.** Carrying power tools with your finger on the switch or energizing power tools that have the switch on invites accidents.
- d) **Remove any adjusting key or wrench before turning the power tool on.** A wrench or a key left attached to a rotating part of the power tool may result in personal injury.
- e) **Do not overreach. Keep proper footing and balance at all times.** This enables better control of the power tool in unexpected situations.
- f) **Dress properly. Do not wear loose clothing or jewelry. Keep your hair, clothing and gloves away from moving parts.** Loose clothes, jewelry or long hair can be caught in moving parts.
- g) **If devices are provided for the connection of dust extraction and collection facilities, ensure these are connected and properly used.** Use of dust collection can reduce dust-related hazards.

4) POWER TOOL USE AND CARE

- a) **Do not force the power tool. Use the correct power tool for your application.** The correct power tool will do the job better and safer at the rate for which it was designed.
- b) **Do not use the power tool if the switch does not turn it on and off.** Any power tool that cannot be controlled with the switch is dangerous and must be repaired.
- c) **Disconnect the plug from the power source and/or the battery pack from the power tool before making any adjustments, changing accessories, or storing power tools.** Such preventive safety measures reduce the risk of starting the power tool accidentally.
- d) **Store idle power tools out of the reach of children and do not allow persons unfamiliar with the power tool or these instructions to operate the power tool.** Power tools are dangerous in the hands of untrained users.
- e) **Maintain power tools. Check for misalignment or binding of moving parts, breakage of parts and any other condition that may affect the power tool's operation. If damaged, have the power tool repaired before use.** Many accidents are caused by poorly maintained power tools.
- f) **Keep cutting tools sharp and clean.** Properly maintained cutting tools with sharp cutting edges are less likely to bind and are easier to control.
- g) **Use the power tool, accessories and tool bits, etc. in accordance with these instructions, taking into account the working conditions and the work to be performed.** Use of the power tool for operations different from those intended could result in a hazardous situation.

5) BATTERY TOOL USE AND CARE

- a) **Recharge only with the charger specified by the manufacturer.** A charger that is suitable for one type of battery pack may create a risk of fire when used with another battery pack.
- b) **Use power tools only with specifically designated battery packs.** Use of any other battery packs may create a risk of injury and fire.
- c) **When battery pack is not in use, keep it away from other metal objects, like paper clips, coins, keys, nails, screws, or other small metal objects, that can make a connection from one terminal to another.** Shorting the battery terminals together may cause burns or a fire.
- d) **Under abusive conditions, liquid may be ejected from the battery; avoid contact. If contact accidentally occurs, flush with water. If liquid contacts eyes, additionally seek medical help.** Liquid ejected from the battery may cause irritation or burns.

6) SERVICE

- a) **Have your power tool serviced by a qualified repair person using only identical replacement parts.** This will ensure that the safety of the power tool is maintained.

Additional Specific Safety Instructions for Thread Rod Cutter

- **This threaded rod cutter is intended for cutting the following materials and threaded rod sizes: Mild Steel (1/4-20, 3/8-16, 1/2-13), Stainless Steel (1/4-20, 3/8-16), Grade 8 Hardened (1/4-20, 3/8-16).**
- **The dies provided are only used for the material and sizes specified in the Applications chart under Intended Use.**

- **Hold power tool by insulated gripping surfaces, when performing an operation where the cutting accessory may contact hidden wiring.** Cutting accessory contacting a “live” wire may make exposed metal parts of the power tool “live” and could give the operator an electric shock.
- **Inspect tool and cutting dies before use.** Replace any worn or damaged parts. A damaged or improperly assembled tool can break and strike operator or nearby personnel.
- **NEVER have any part of your body near the cutters.** A moment of inattention while operating power tools may result in serious personal injury.
- **ALWAYS wear gloves when handling threaded rod.** The ends and threads can be sharp and can cause serious personal injury.
- **Firmly secure the piece of metal to be cut** to prevent movement during cutting.
- **Always wear safety shoes** to protect your feet from sharp metal debris on the floor.
- **Keep all screws tight.** Check periodically for loosening.
- **Do not** place anything into the motor housing openings.
- **Stay clear of end pieces that may fall after cutting off.** They may be hot, sharp and/or heavy.
- **Air vents often cover moving parts and should be avoided.** Loose clothes, jewelry or long hair can be caught in moving parts.
- **WARNING: ALWAYS use safety glasses.** Everyday eyeglasses are NOT safety glasses. Also use face or dust mask if cutting operation is dusty. ALWAYS WEAR CERTIFIED SAFETY EQUIPMENT:
 - ANSI Z87.1 eye protection (CAN/CSA Z94.3),
 - ANSI S12.6 (S3.19) hearing protection,
 - NIOSH/OSHA/MSHA respiratory protection.

⚠ WARNING: Some dust created by power sanding, sawing, grinding, drilling, and other construction activities contains chemicals known to the State of California to cause cancer, birth defects or other reproductive harm. Some examples of these chemicals are:

- lead from lead-based paints,
- crystalline silica from bricks and cement and other masonry products, and
- arsenic and chromium from chemically-treated lumber.

Your risk from these exposures varies, depending on how often you do this type of work. To reduce your exposure to these chemicals: work in a well ventilated area, and work with approved safety equipment, such as those dust masks that are specially designed to filter out microscopic particles.

- **Avoid prolonged contact with dust from power sanding, sawing, grinding, drilling, and other construction activities. Wear protective clothing and wash exposed areas with soap and water.** Allowing dust to get into your mouth, eyes, or lay on the skin may promote absorption of harmful chemicals.

⚠ WARNING: Use of this tool can generate and/or disperse dust, which may cause serious and permanent respiratory or other injury. Always use NIOSH/OSHA approved respiratory protection appropriate for the dust exposure. Direct particles away from face and body.

⚠ WARNING: Always wear proper personal hearing protection that conforms to ANSI S12.6 (S3.19) during use. Under some conditions and duration of use, noise from this product may contribute to hearing loss.

⚠ CAUTION: When not in use, place tool on its side on a stable surface where it will not cause a tripping or falling hazard. Some tools with large battery packs will stand upright on the battery pack but may be easily knocked over.

- The label on your tool may include the following symbols. The symbols and their definitions are as follows:

V..... volts	A..... amperes
Hz..... hertz	W..... watts
min minutes	~ or AC..... alternating current
— — — or DC... direct current	⌚ or AC/DC... alternating current
Ⓜ..... Class I Construction (grounded)	Ⓜ..... Class II Construction (double insulated)
Ⓜ..... Class II Construction (double insulated)	n _o no load speed
.../min per minute	n rated speed
BPM..... beats per minute	IPM..... impacts per minute
RPM..... revolutions per minute	Ⓧ..... earthing terminal symbol
sfpm surface feet per minute	⚠..... safety alert symbol
SPM strokes per minute	☠..... visible radiation

Important Safety Instructions for All Battery Packs

When ordering replacement battery packs, be sure to include the catalog number and voltage. Consult the chart at the end of this manual for compatibility of chargers and battery packs.

The battery pack is not fully charged out of the carton. Before using the battery pack and charger, read the safety instructions below and then follow charging procedures outlined.

READ ALL INSTRUCTIONS

- **Do not charge or use the battery pack in explosive atmospheres, such as in the presence of flammable liquids, gases or dust.** Inserting or removing the battery pack from the charger may ignite the dust or fumes.
- **NEVER force the battery pack into the charger. DO NOT modify the battery pack in any way to fit into a non-compatible charger as battery pack may rupture causing serious personal injury.** Consult the chart at the end of this manual for compatibility of batteries and chargers.
- Charge the battery packs only in designated DEWALT chargers.
- **DO NOT splash or immerse in water or other liquids.**
- **Do not store or use the tool and battery pack in locations where the temperature may reach or exceed 105 °F (40 °C) (such as outside sheds or metal buildings in summer).** For best life store battery packs in a cool, dry location.

NOTE: Do not store the battery packs in a tool with the trigger switch locked on. Never tape the trigger switch in the ON position.

⚠WARNING: Fire hazard. Never attempt to open the battery pack for any reason. If the battery pack case is cracked or damaged, do not insert into the charger. Do not crush, drop or damage the battery pack. Do not use a battery pack or charger that has received a sharp blow, been dropped, run over or damaged in any way (e.g., pierced with a nail, hit with a hammer, stepped on). Damaged battery packs should be returned to the service center for recycling.

⚠WARNING: Fire hazard. Do not store or carry the battery pack so that metal objects can contact exposed battery terminals. For example, do not place the battery pack in aprons, pockets, tool boxes, product kit boxes, drawers, etc., with loose nails, screws, keys, etc. **Transporting batteries can possibly cause fires if the battery terminals inadvertently come in**

contact with conductive materials such as keys, coins, hand tools and the like. The US Department of Transportation Hazardous Material Regulations (HMR) actually prohibit transporting batteries in commerce or on airplanes (e.g., packed in suitcases and carry-on luggage) UNLESS they are properly protected from short circuits. So when transporting individual battery packs, make sure that the battery terminals are protected and well insulated from materials that could contact them and cause a short circuit.

SPECIFIC SAFETY INSTRUCTIONS FOR LITHIUM ION (Li-Ion)

- **Do not incinerate the battery pack even if it is severely damaged or is completely worn out.** The battery pack can explode in a fire. Toxic fumes and materials are created when lithium ion battery packs are burned.
- **If battery contents come into contact with the skin, immediately wash area with mild soap and water.** If battery liquid gets into the eye, rinse water over the open eye for 15 minutes or until irritation ceases. If medical attention is needed, the battery electrolyte is composed of a mixture of liquid organic carbonates and lithium salts.
- **Contents of opened battery cells may cause respiratory irritation.** Provide fresh air. If symptoms persist, seek medical attention.

⚠WARNING: Burn hazard. Battery liquid may be flammable if exposed to spark or flame.

The RBRC™ Seal

The RBRC™ (Rechargeable Battery Recycling Corporation) Seal on the nickel cadmium, nickel metal hydride or lithium ion batteries (or battery packs) indicate that the costs to recycle these batteries (or battery packs) at the end of their useful life have already been paid by DEWALT. In some areas, it is illegal to place spent nickel cadmium, nickel metal hydride or lithium ion batteries in the trash or



municipal solid waste stream and the RBRC program provides an environmentally conscious alternative.

RBRC™, in cooperation with DEWALT and other battery users, has established programs in the United States and Canada to facilitate the collection of spent nickel cadmium, nickel metal hydride or lithium ion batteries. Help protect our environment and conserve natural resources by returning the spent nickel cadmium, nickel metal hydride or lithium ion batteries to an authorized DEWALT service center or to your local retailer for recycling. You may also contact your local recycling center for information on where to drop off the spent battery.

RBRC™ is a registered trademark of the *Rechargeable Battery Recycling Corporation*.

Important Safety Instructions for All Battery Chargers

SAVE THESE INSTRUCTIONS: *This manual contains important safety and operating instructions for battery chargers.*

- *Before using the charger, read all instructions and cautionary markings on the charger, battery pack and product using the battery pack.*

▲WARNING: *Shock hazard. Do not allow any liquid to get inside the charger. Electric shock may result.*

▲CAUTION: *Burn hazard. To reduce the risk of injury, charge only DEWALT rechargeable battery packs. Other types of batteries may overheat and burst resulting in personal injury and property damage.*

NOTICE: *Under certain conditions, with the charger plugged into the power supply, the charger can be shorted by foreign material. Foreign materials of a conductive nature, such as, but not limited to, grinding dust, metal chips, steel wool, aluminum foil or any buildup of metallic particles should be kept away from the charger cavities. Always unplug the charger from the power supply when there is no battery pack in the cavity. Unplug the charger before attempting to clean.*

- **DO NOT attempt to charge the battery pack with any chargers other than the ones in this manual.** *The charger and battery pack are specifically designed to work together.*
- **These chargers are not intended for any uses other than charging DEWALT rechargeable batteries.** *Any other uses may result in risk of fire, electric shock or electrocution.*
- **Do not expose the charger to rain or snow.**
- **Pull by the plug rather than the cord when disconnecting the charger.** *This will reduce the risk of damage to the electric plug and cord.*
- **Make sure that the cord is located so that it will not be stepped on, tripped over or otherwise subjected to damage or stress.**
- **Do not use an extension cord unless it is absolutely necessary.** *Use of improper extension cord could result in risk of fire, electric shock or electrocution.*
- **When operating a charger outdoors, always provide a dry location and use an extension cord suitable for outdoor use.** *Use of a cord suitable for outdoor use reduces the risk of electric shock.*
- **An extension cord must have adequate wire size (AWG or American Wire Gauge) for safety.** *The smaller the gauge number of the wire, the greater the capacity of the cable, that is, 16 gauge has more capacity than 18 gauge. An undersized cord will cause a drop in line voltage resulting in loss of power and overheating. When using more than one extension to make up the total length, be sure each individual extension contains at least the minimum wire size. The following table shows the correct size to use depending on cord length and nameplate ampere rating. If in doubt, use the next heavier gauge. The lower the gauge number, the heavier the cord.*

Minimum Gauge for Cord Sets						
Ampere Rating		Volts	Total Length of Cord in Feet (meters)			
			120 V	25 (7.6)	50 (15.2)	100 (30.5)
		240 V	50 (15.2)	100 (30.5)	200 (61.0)	300 (91.4)
More Than	Not More Than	AWG				
0	6		18	16	16	14
6	10		18	16	14	12
10	12		16	16	14	12
12	16		14	12	Not Recommended	

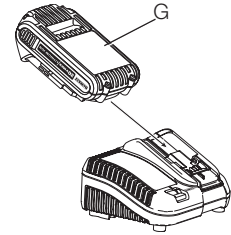
- **Do not place any object on top of the charger or place the charger on a soft surface that might block the ventilation slots and result in excessive internal heat.** Place the charger in a position away from any heat source. The charger is ventilated through slots in the top and the bottom of the housing.
- **Do not operate the charger with a damaged cord or plug.**
- **Do not operate the charger if it has received a sharp blow, been dropped or otherwise damaged in any way.** Take it to an authorized service center.
- **Do not disassemble the charger; take it to an authorized service center when service or repair is required.** Incorrect reassembly may result in a risk of electric shock, electrocution or fire.
- **Disconnect the charger from the outlet before attempting any cleaning. This will reduce the risk of electric shock.** Removing the battery pack will not reduce this risk.
- **NEVER attempt to connect 2 chargers together.**
- **The charger is designed to operate on standard 120V household electrical power. Do not attempt to use it on any other voltage.** This does not apply to the vehicular charger.

Chargers

Be sure to read all safety instructions before using your charger. Consult the chart at the end of this manual for compatibility of chargers and battery packs.

Charging a Battery (Fig. 1)

1. Plug the charger into an appropriate outlet before inserting battery pack.
2. Insert the battery pack (G) into the charger, making sure the battery pack is fully seated in the charger. The red (charging) light will blink continuously indicating that the charging process has started.



3. The completion of charge will be indicated by the red light remaining ON continuously. The battery pack is fully charged and may be used at this time or left in the charger. To remove the battery pack from the charger, push the battery release button on the battery pack.

NOTE: To ensure maximum performance and life of lithium-ion battery packs, charge the battery pack fully before first use.

Charger Operation

Refer to the indicators below for the charge status of the battery pack.

Charge indicators: DCB101		
	Charging	— — — — —
	Fully Charged	—————
	Hot/Cold Pack Delay*	— • — • — •
	Problem Pack or Charger	• • • • • • • •

Charge indicators: DCB107, DCB112, DCB113, DCB115, DCB118

	Charging	— — — —	
	Fully Charged	————	
	Hot/Cold Pack Delay*	— — — ———	

* **DCB107, DCB112, DCB113, DCB115, DCB118:** The red light will continue to blink, but a yellow indicator light will be illuminated during this operation. Once the battery pack has reached an appropriate temperature, the yellow light will turn off and the charger will resume the charging procedure.

The compatible charger(s) will not charge a faulty battery pack. The charger will indicate faulty battery pack by refusing to light or by displaying a problem pack or charger blink pattern.

NOTE: This could also mean a problem with a charger.

If the charger indicates a problem, take the charger and battery pack to be tested at an authorized service center.

HOT/COLD PACK DELAY

When the charger detects a battery pack that is too hot or too cold, it automatically starts a Hot/Cold Pack Delay, suspending charging until the battery pack has reached an appropriate temperature. The charger then automatically switches to the pack charging mode. This feature ensures maximum battery pack life.

A cold battery pack will charge at a slower rate than a warm battery pack. The battery pack will charge at that slower rate throughout the entire charging cycle and will not return to maximum charge rate even if the battery pack warms.

The DCB118 charger is equipped with an internal fan designed to cool the battery pack. The fan will turn on automatically when the battery pack needs to be cooled.

Never operate the charger if the fan does not operate properly or if ventilation slots are blocked. Do not permit foreign objects to enter the interior of the charger.

LITHIUM-ION BATTERY PACKS ONLY

Li-Ion tools are designed with an Electronic Protection System that will protect the battery pack against overloading, overheating or deep discharge.

The tool will automatically turn off if the Electronic Protection System engages. If this occurs, place the lithium-ion battery pack on the charger until it is fully charged.

Wall Mounting

DCB107, DCB112, DCB113, DCB115, DCB118

These chargers are designed to be wall mountable or to sit upright on a table or work surface. If wall mounting, locate the charger within reach of an electrical outlet, and away from a corner or other obstructions which may impede air flow. Use the back of the charger as a template for the location of the mounting screws on the wall. Mount the charger securely using drywall screws (purchased separately) at least 1" (25.4 mm) long, with a screw head diameter of 0.28–0.35" (7–9 mm), screwed into wood to an optimal depth leaving approximately 7/32" (5.5 mm) of the screw exposed. Align the slots on the back of the charger with the exposed screws and fully engage them in the slots.

Charger Cleaning Instructions

⚠WARNING: Shock hazard. Disconnect the charger from the AC outlet before cleaning. Dirt and grease may be removed from the exterior of the charger using a cloth or soft non-metallic brush. Do not use water or any cleaning solutions.

Important Charging Notes

1. Longest life and best performance can be obtained if the battery pack is charged when the air temperature is between 65 °F and

- 75 °F (18 °–24 °C). DO NOT charge the battery pack in an air temperature below +40 °F (+4.5 °C), or above +104 °F (+40 °C). This is important and will prevent serious damage to the battery pack.
2. The charger and battery pack may become warm to the touch while charging. This is a normal condition, and does not indicate a problem. To facilitate the cooling of the battery pack after use, avoid placing the charger or battery pack in a warm environment such as in a metal shed or an uninsulated trailer.
 3. If the battery pack does not charge properly:
 - a. Check operation of receptacle by plugging in a lamp or other appliance;
 - b. Check to see if receptacle is connected to a light switch which turns power off when you turn out the lights;
 - c. Move the charger and battery pack to a location where the surrounding air temperature is approximately 65 °F–75 °F (18 °–24 °C);
 - d. If charging problems persist, take the tool, battery pack and charger to your local service center.
 4. The battery pack should be recharged when it fails to produce sufficient power on jobs which were easily done previously. DO NOT CONTINUE to use under these conditions. Follow the charging procedure. You may also charge a partially used pack whenever you desire with no adverse effect on the battery pack.
 5. Foreign materials of a conductive nature such as, but not limited to, grinding dust, metal chips, steel wool, aluminum foil, or any buildup of metallic particles should be kept away from charger cavities. Always unplug the charger from the power supply when there is no battery pack in the cavity. Unplug the charger before attempting to clean.
 6. Do not freeze or immerse the charger in water or any other liquid.

⚠WARNING: Shock hazard. Don't allow any liquid to get inside the charger. Electric shock may result.

⚠WARNING: Burn hazard. Do not submerge the battery pack in any liquid or allow any liquid to enter the battery pack. Never attempt to open the battery pack for any reason. If the plastic housing of the battery pack breaks or cracks, return to a service center for recycling.

Storage Recommendations

1. The best storage place is one that is cool and dry, away from direct sunlight and excess heat or cold.
2. For long storage, it is recommended to store a fully charged battery pack in a cool dry place out of the charger for optimal results.

NOTE: Battery packs should not be stored completely depleted of charge. The battery pack will need to be recharged before use.

SAVE THESE INSTRUCTIONS FOR FUTURE USE

Storage Recommendations

1. The best storage place is one that is cool and dry, away from direct sunlight and excess heat or cold.
2. For long storage, it is recommended to store a fully charged battery pack in a cool dry place out of the charger for optimal results.

NOTE: Battery packs should not be stored completely depleted of charge. The battery pack will need to be recharged before use.

SAVE THESE INSTRUCTIONS FOR FUTURE USE

Intended Use

This heavy duty threaded rod cutter is designed for professional applications.

DO NOT operate or use under wet conditions or in the presence of flammable liquids or gases.

DO NOT use for cutting tempered bolts, threads of different sizes, or reinforcing rod.

RECOMMENDED APPLICATIONS		
	Rod Size	Thread per Inch
Mild Steel	1/4"	20
	3/8"	16
	1/2"	13
Stainless Steel	1/4"	20
	3/8"	16
Grade 8 Hardened	1/4"	20
	3/8"	16

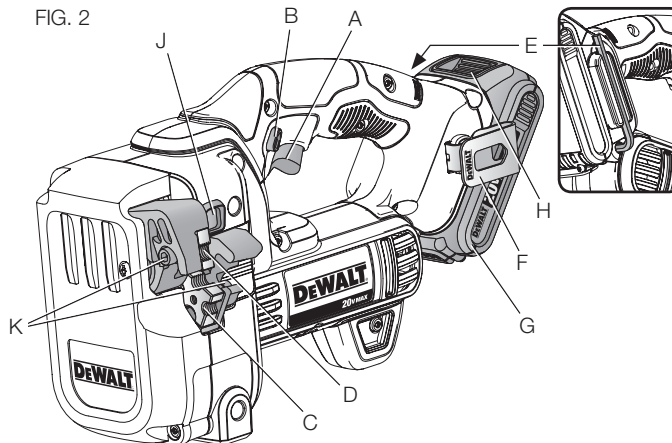
This is a professional power tool. **DO NOT** let children come into contact with the tool. Supervision is required when inexperienced operators use this tool.

COMPONENTS (Fig. 2)

⚠ WARNING: Never modify the power tool or any part of it. Damage or personal injury could result.

- | | |
|---------------------------|---------------------------|
| A. Trigger switch | H. Battery release button |
| B. Reset/lock-off button | J. LED worklight |
| C. Stationary cutting die | K. Cutting die cap screws |
| D. Moveable cutting die | |
| E. Hex wrench | |
| F. Hang hook | |
| G. Battery pack | |

FIG. 2



ADJUSTMENT

⚠ WARNING: To reduce the risk of serious personal injury, turn tool off and remove the battery pack before making any adjustments or removing/installing attachments or accessories. An accidental start-up can cause injury.

Removing, Changing and/or Replacing the Cutting Dies (Fig. 2, 3)

⚠ WARNING: Never attempt to repair a damaged or worn cutting die. This could weaken the die and result in a serious injury. Discard the entire set and replace with a new set.

The tool is equipped with a stationary cutting die (C) and a moveable cutting die (D). Each cutting die is fabricated with three different thread cutting sizes. Cutting die orientation is critical when changing or replacing the cutting dies.

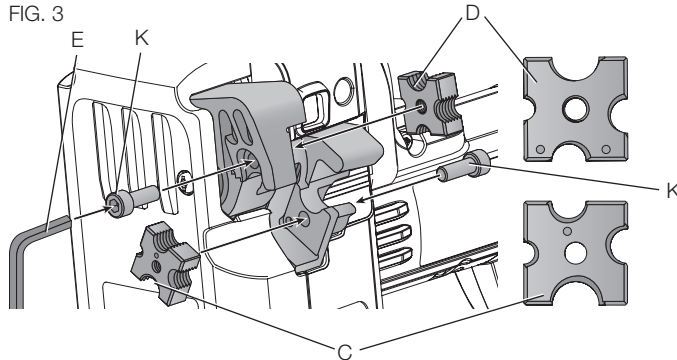
1. Loosen both cutting die cap screws (K) counterclockwise using the hex wrench (E) provided.
2. If your desired thread cutting size is overly worn, replace both with a new cutting die set.
3. Position the cutting dies so that both stationary cutting die and moveable cutting die are aligned with same thread size.

NOTE: Ensure that the dots on the cutting dies are facing toward each other and they are seated against the two perpendicular surfaces of the stationary cutting die (C) jaw and moveable cutting die (D) jaw before tightening.

4. Tighten cutting die cap screws (K) clockwise using the hex wrench (E).
5. Install a battery and cycle the tool to ensure proper assembly and alignment prior to making a cut.

⚠ CAUTION: If the cutting die cap screws or hex wrench are lost or damaged replace with identical replacement parts. Recommended replacement parts for use with your tool are available at extra cost from your local dealer or authorized service center. Always use identical replacement parts

FIG. 3



OPERATION

⚠ WARNING: To reduce the risk of serious personal injury, turn tool off and remove the battery pack before making any adjustments or removing/installing attachments or accessories.

An accidental start-up can cause injury.

⚠ WARNING: Cut Hazard. NEVER have any part of your body near the cutters. Serious personal injury may occur.

⚠ WARNING: Cut Hazard. To reduce the risk of serious personal injury, DO NOT use the threaded rod cutter with any kind of accessory or attachment other than those recommended by DEWALT.

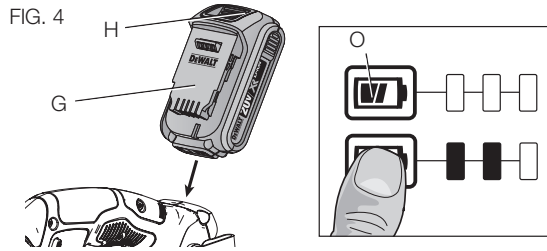
⚠ WARNING: Cut Hazard. Wear gloves when handling threaded rod. The ends and threads can be sharp and can cause serious personal injury.

Installing and Removing the Battery Pack (Fig. 4)

NOTE: For best results, make sure your battery pack is fully charged.

To install the battery pack (G) into the tool handle, align the battery pack with the rails inside the tool's handle and slide it into the handle until the battery pack is firmly seated in the tool and ensure that it does not disengage.

To remove the battery pack from the tool, press the release button (H) and firmly pull the battery pack out of the tool handle. Insert it into the charger as described in the charger section of this manual.



FUEL GAUGE BATTERY PACKS (FIG. 4)

Some DEWALT battery packs include a fuel gauge which consists of three green LED lights that indicate the level of charge remaining in the battery pack.

To actuate the fuel gauge, press and hold the fuel gauge button (O). A combination of the three green LED lights will illuminate designating the level of charge left. When the level of charge in the battery is below the usable limit, the fuel gauge will not illuminate and the battery will need to be recharged.

NOTE: The fuel gauge is only an indication of the charge left on the battery pack. It does not indicate tool functionality and is subject to variation based on product components, temperature and end-user application.

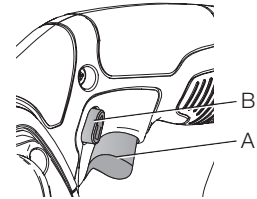
For more information regarding fuel gauge battery packs, please call 1-800-4-DEWALT (1-800-433-9258) or visit our website www.dewalt.com.

Trigger Switch (Fig. 5)

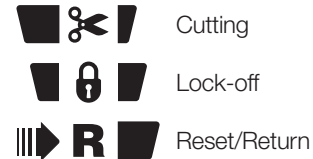
⚠ WARNING: This tool has no provision to lock the trigger switch in the ON position and should never be locked ON by any other means.

To turn the tool ON, squeeze the trigger switch (A). To turn the tool OFF release the trigger.

FIG. 5



Reset/Lock-Off Button



The spring-loaded reset/lock-off button (B) determines the direction of the tool and also serves as a lock-off button.

To select normal cutting operation, release the trigger switch and depress the reset/lock-off button on the right side of the tool.

The center position of the button locks the tool in the off position. When changing the position of the reset/lock-off button, be sure the trigger is released.

To select reset, depress and hold the reset/lock-off button on the left side of the tool.

NOTICE: The rod cutter could stall during a cut either as a result of a depleted battery, or as a result of cutting a material too hard or too large.

Should the unit stop during the cut for any reason, press and hold the spring-loaded reset/lock-off button (B) in reset position (left side) and pull the trigger switch (A) to open the cutter jaws and remove the material.

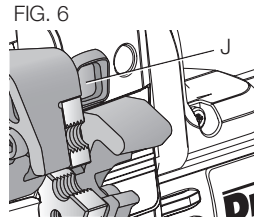
NOTICE: Do not attempt to cut in the reset direction. Damage to the tool could result.

LED Worklight (Fig. 6)

CAUTION: Do not stare into worklight. Serious eye injury could result.

There is a worklight (J) located above the cutting area of the tool. The worklight is activated when the trigger switch is depressed, and will automatically turn off 20 seconds after the trigger switch is released. If the trigger switch remains depressed, the worklight will remain on.

NOTE: The worklight is for lighting the immediate work surface and is not intended to be used as a flashlight.



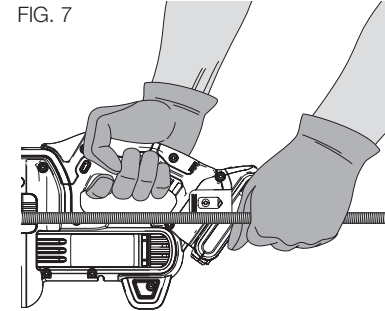
Hang Hook (Fig. 2)

WARNING: To reduce the risk of injury from the threaded rod cutter falling on operators or bystanders, make sure it is supported securely when using the hang hook, or resting in a secure and stable location when not in use. Be sure to keep the area below clear to reduce the risk of the tool or off-cut material falling and striking someone or something below.

The threaded rod cutter has a convenient hang hook (F) that allows it to hang on a suitable, stable structure between uses. The hang hook is not for tethering or securing the tool to a person or object during use when elevated.

Proper Hand Position (Fig. 7)

WARNING: To reduce the risk of serious personal injury, ALWAYS use proper hand position as shown.



Cutting (Fig. 8)

WARNING: Cut Hazard. Wear gloves and eye protection when handling and cutting threaded rod. The edges are sharp and can cause serious personal injury.

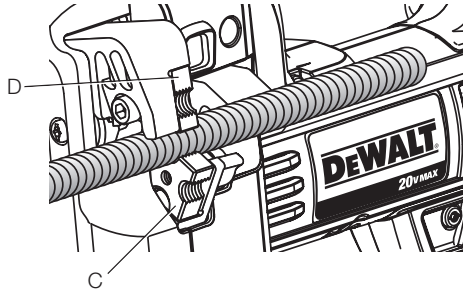
CAUTION: Cut length of threaded rod to be 1/4" (6mm) minimum. For accurate work, always secure the workpiece before cutting.

NOTICE: Before cutting, make sure the correct die size is in place for the intended size rod.

1. Position the threaded rod so that the material is between the stationary cutting die (C) and moveable cutting die (D).
2. Align the threaded rod with cutting dies.
3. Depress trigger until the workpiece is fully cut.
4. Release trigger when the cutter has reached the open position.

When cutting overhead, always confirm workpiece is secure before cutting and be sure the excess rod that is cut is disposed of safely.

FIG. 8



MAINTENANCE

⚠ WARNING: To reduce the risk of serious personal injury, turn tool off and remove the battery pack before making any adjustments or removing/installing attachments or accessories. An accidental start-up can cause injury.

Cleaning

⚠ WARNING: Blow dirt and dust out of all air vents with clean, dry air at least once a week. To minimize the risk of eye injury, always wear ANSI Z87.1 approved eye protection when performing this.

⚠ WARNING: Never use solvents or other harsh chemicals for cleaning the non-metallic parts of the tool. These chemicals may weaken the plastic materials used in these parts. Use a cloth dampened only with water and mild soap. Never let any liquid get inside the tool; never immerse any part of the tool into a liquid.

Accessories

⚠ WARNING: Since accessories, other than those offered by DEWALT, have not been tested with this product, use of such accessories with this tool could be hazardous. To reduce the risk of injury, only DEWALT recommended accessories should be used with this product.

Recommended accessories for use with your tool are available at extra cost from your local dealer or authorized service center. If you need assistance in locating any accessory, please contact DEWALT Industrial Tool Co., 701 East Joppa Road, Baltimore, MD 21286, call 1-800-4-DEWALT (1-800-433-9258) or visit our website: www.dewalt.com.

Repairs

The charger and battery pack are not serviceable.

To assure product SAFETY and RELIABILITY, repairs, maintenance and adjustment (including brush inspection and replacement) should be performed by a DEWALT factory service center, a DEWALT authorized service center or other qualified service personnel. Always use identical replacement parts.

Register Online

Thank you for your purchase. Register your product now for:

- **WARRANTY SERVICE:** Registering your product will help you obtain more efficient warranty service in case there is a problem with your product.
- **CONFIRMATION OF OWNERSHIP:** In case of an insurance loss, such as fire, flood or theft, your registration of ownership will serve as your proof of purchase.

- **FOR YOUR SAFETY:** Registering your product will allow us to contact you in the unlikely event a safety notification is required under the Federal Consumer Safety Act.

Register online at www.dewalt.com/register.

Three Year Limited Warranty

DEWALT will repair, without charge, any defects due to faulty materials or workmanship for three years from the date of purchase. This warranty does not cover part failure due to normal wear or tool abuse. For further detail of warranty coverage and warranty repair information, visit www.dewalt.com or call 1-800-4-DEWALT (1-800-433-9258). This warranty does not apply to accessories or damage caused where repairs have been made or attempted by others. This warranty gives you specific legal rights and you may have other rights which vary in certain states or provinces.

In addition to the warranty, DEWALT tools are covered by our:

1 YEAR FREE SERVICE

DEWALT will maintain the tool and replace worn parts caused by normal use, for free, any time during the first year after purchase.

2 YEARS FREE SERVICE ON DEWALT BATTERY PACKS

DC9071, DC9091, DC9096, DC9280, DC9360, DC9180, DCB120, DCB201 and DCB203

3 YEARS FREE SERVICE ON DEWALT BATTERY PACKS

DCB200, DCB204

DEWALT BATTERY PACKS

Product warranty voided if the battery pack is tampered with in any way. DEWALT is not responsible for any injury caused by tampering

and may prosecute warranty fraud to the fullest extent permitted by law.

90 DAY MONEY BACK GUARANTEE

If you are not completely satisfied with the performance of your DEWALT Power Tool, Laser, or Nailer for any reason, you can return it within 90 days from the date of purchase with a receipt for a full refund – no questions asked.

LATIN AMERICA: This warranty does not apply to products sold in Latin America. For products sold in Latin America, see country specific warranty information contained in the packaging, call the local company or see website for warranty information.

FREE WARNING LABEL REPLACEMENT: If your warning labels become illegible or are missing, call 1-800-4-DEWALT (1-800-433-9258) for a free replacement.



Définitions : Instructions de sécurité

Les définitions suivantes qualifient le degré de risques qui est associé à chaque mention d'avertissement. Veuillez lire le manuel et porter attention à ces symboles.

▲ DANGER : indique une situation risquée imminente qui, si elle n'est pas évitée, **occasionnera des blessures graves ou mortelles**.

▲ AVERTISSEMENT : indique une situation dangereuse possible qui, si elle n'est pas évitée, **pourra occasionner des blessures graves ou mortelles**.

▲ MISE EN GARDE : indique une situation dangereuse potentielle qui, si elle n'est pas évitée, **occasionnera des blessures mineures ou légères**.

AVIS : indique une pratique **qui n'occasionnera pas de blessures corporelles**, mais qui **peut causer des dommages matériels si elle n'est pas évitée**.

POUR TOUTE QUESTION OU TOUT COMMENTAIRE AU SUJET DE CET OUTIL OU DE TOUT AUTRE OUTIL DEWALT, APPELEZ SANS FRAIS AU NUMÉRO : **1-800-4-DEWALT (1-800-433-9258)**.



AVERTISSEMENT : Veuillez lire le manuel d'instructions afin de réduire les risques de blessures.

Avertissements de sécurité généraux pour les outils électriques



AVERTISSEMENT! Lire tous les avertissements de sécurité et toutes les consignes. Le non-respect des avertissements et des directives peut entraîner des risques de décharge électrique, d'incendie ou de blessures graves.

CONSERVER TOUS LES AVERTISSEMENTS ET TOUTES LES DIRECTIVES POUR UN USAGE ULTÉRIEUR

Le terme « outil électrique » cité dans les avertissements se rapporte à votre outil électrique à alimentation sur secteur (avec fil) ou à piles (sans fil).

1) SÉCURITÉ DU LIEU DE TRAVAIL

- a) **Maintenez l'espace de travail propre et bien éclairé.** Les espaces encombrés ou sombres favorisent les accidents.
- b) **N'utilisez pas d'outils électriques dans des environnements explosifs, notamment en présence de liquides, de gaz ou de poussières inflammables.** Les outils électriques créent des étincelles pouvant enflammer la poussière ou les fumées.
- c) **Gardez les enfants et les autres personnes à distance lorsque vous utilisez un outil électrique.** Les distractions peuvent vous faire perdre la maîtrise de l'outil.

2) SÉCURITÉ ÉLECTRIQUE

- a) **La fiche d'alimentation électrique de l'outil doit correspondre à la prise de courant. Ne jamais modifier la fiche d'aucune façon. Ne jamais utiliser de fiche d'adaptation avec un outil électrique mis à la terre.** Des fiches non modifiées et des prises correspondantes réduiront le risque de décharge électrique.
- b) **Évitez tout contact physique avec des surfaces mises à la terre ou à la masse comme des tuyaux, des radiateurs, des cuisinières et des réfrigérateurs.** Le risque de décharge électrique est plus élevé si votre corps est mis à la terre.

- c) **N'exposez pas les outils électriques à la pluie ou à des conditions humides.** L'infiltration d'eau dans un outil électrique augmente le risque de décharge électrique.
 - d) **Manipulez le cordon d'alimentation avec soin. Ne jamais utiliser le cordon pour transporter, tirer ou débrancher un outil électrique. Tenir le cordon éloigné de la chaleur, de l'huile, des bords tranchants et des pièces mobiles.** Les cordons d'alimentation endommagés ou enchevêtrés augmentent le risque de décharge électrique.
 - e) **Utilisez une rallonge conçue pour un usage extérieur lorsque vous utilisez un outil électrique à l'extérieur.** L'utilisation d'une rallonge conçue pour l'extérieur réduira les risques de décharge électrique.
 - f) **S'il est impossible d'éviter d'utiliser un outil électrique dans un endroit humide, utilisez une source d'alimentation munie d'un disjoncteur différentiel de fuite à la terre (DDFT).** L'utilisation d'un DDFT réduit le risque de décharge électrique.
- 3) SÉCURITÉ PERSONNELLE**
- a) **Restez vigilant, surveillez vos mouvements et faites preuve de logique lorsque vous faites fonctionner un outil électrique. Ne pas utiliser d'outil électrique en cas de fatigue ou sous l'influence de drogues, d'alcool ou de médicaments.** Un moment d'inattention pendant le fonctionnement des outils électriques peut occasionner des blessures graves.
 - b) **Utilisez un équipement de protection individuelle. Toujours porter une protection oculaire.** Dans des conditions appropriées, l'utilisation d'équipement de protection comme un masque antipoussière, des souliers de sécurité avec semelle antidérapante, un casque protecteur et des protège-tympan réduira les risques de blessures corporelles.
- c) **Évitez une mise en marche non intentionnelle. Assurez-vous que l'interrupteur se trouve à la position d'arrêt avant de relier l'outil à une source d'alimentation ou d'insérer un bloc batterie, de ramasser ou de transporter l'outil.** Transporter un outil électrique alors que le doigt repose sur l'interrupteur ou brancher un outil électrique dont l'interrupteur est à la position de marche risque de provoquer un accident.
 - d) **Retirez toute clé de réglage avant de mettre l'outil électrique en marche.** Une clé fixée à une partie pivotante de l'outil électrique peut provoquer des blessures corporelles.
 - e) **Ne pas trop tendre les bras. Conserver son équilibre en tout temps.** Cela permet une meilleure maîtrise de l'outil électrique dans des situations inattendues.
 - f) **Habillez-vous adéquatement. Ne pas porter de vêtements amples ni de bijoux. Garder les cheveux, les vêtements et les gants à l'écart des pièces mobiles.** Les vêtements amples, les bijoux ou les cheveux longs peuvent se coincer entre les pièces mobiles.
 - g) **Si des appareils sont fournis afin d'établir le raccordement d'installations de dépoussiérage, assurez-vous qu'ils sont branchés et utilisés de manière appropriée.** L'utilisation d'un appareil de dépoussiérage peut réduire les dangers liés à la poussière.
- 4) UTILISATION ET ENTRETIEN D'UN OUTIL ÉLECTRIQUE**
- a) **Ne forcez pas l'outil électrique. Utiliser l'outil électrique approprié à l'application.** Un outil approprié fera un travail de meilleure qualité et plus sécuritaire au rythme pour lequel il a été conçu.

- b) **N'utilisez pas un outil électrique si son interrupteur ne permet pas de le mettre en position de marche et d'arrêt.** Tout outil électrique ne pouvant être contrôlé par un interrupteur constitue un danger et doit être réparé.
- c) **Débranchez la fiche de la source d'alimentation ou retirez le bloc batterie de l'outil électrique avant de faire tout réglage ou changement d'accessoire ou avant de ranger l'outil.** De telles mesures de sécurité préventives réduisent le risque de mettre accidentellement en marche un outil électrique.
- d) **Rangez les outils électriques hors de la portée des enfants et ne permettez à aucune personne n'étant pas familière avec un outil électrique ou son mode d'emploi d'utiliser cet outil.** Les outils électriques sont dangereux entre les mains d'utilisateurs non formés.
- e) **Entretien des outils électriques. Vérifier si les pièces mobiles sont mal alignées ou coincées, si des pièces sont brisées ou présentent toute autre condition susceptible de nuire au bon fonctionnement de l'outil électrique. En cas de dommage, faire réparer l'outil électrique avant toute nouvelle utilisation.** Plusieurs accidents sont occasionnés par un entretien inadéquat des outils électriques.
- f) **Gardez les outils de coupe tranchants et propres.** Un outil bien entretenu, dont le bord de coupe est bien aiguisé, réduit le risque de grippage et est plus facile à contrôler.
- g) **Utilisez l'outil électrique, les accessoires, les forets, etc. conformément aux présentes directives en tenant compte des conditions de travail et du travail à effectuer.** L'utilisation d'outils électriques pour des tâches différentes de celles pour lesquelles ils ont été conçus pourrait entraîner une situation dangereuse.

5) UTILISATION ET ENTRETIEN DE LA BATTERIE

- a) **Rechargez uniquement avec le chargeur spécifié par le fabricant.** Un chargeur adapté à un type de batterie peut créer un risque d'incendie s'il est utilisé avec une autre batterie.
- b) **N'utilisez des outils électriques qu'avec les batteries spécifiques indiquées.** L'utilisation d'autres batteries peut créer un risque de blessure et d'incendie.
- c) **Lorsqu'un bloc batterie n'est pas utilisé, maintenez-le à l'écart d'autres objets métalliques comme des trombones, des pièces de monnaie, des clés, des clous, des vis, ou d'autres petits objets métalliques susceptibles de créer un contact d'une borne à l'autre.** Court-circuiter les bornes de la batterie peut provoquer des brûlures ou un incendie.
- d) **Si la batterie est malmenée, un liquide peut en sortir; évitez tout contact. En cas de contact accidentel, rincez à l'eau. En cas de contact avec les yeux, rincez à l'eau et consultez un médecin.** Le liquide éjecté de la batterie peut provoquer des irritations ou des brûlures.

6) RÉPARATION

- a) **Faites réparer votre outil électrique par un technicien d'entretien qualifié n'utilisant que des pièces de rechange identiques.** Cela permettra de maintenir la sécurité de l'outil électrique.

Instructions de sécurité supplémentaires spécifiques pour les pinces à couper les tiges filetées

- **Cette pince à couper les tiges filetées est conçue pour couper les matières et les tailles de tiges filetées suivantes : Acier doux (6,35 (1/4)-20, 9,5 (3/8)-16, 12,7 (1/2)-13), Acier**

- inoxydable (6,35 (1/4)-20, 9,5 (3/8)-16), Acier trempé de grade 8 (6,35 (1/4)-20, 9,5 (3/8)-16).*
- **Les matrices fournies ne doivent être utilisées que pour les matières et tailles spécifiées dans le tableau Applications sous la section Utilisation prévue.**
 - **Tenez l'outil électrique par sa surface de prise isolée dans une situation où l'accessoire de coupe pourrait entrer en contact avec un câble électrique dissimulé.** Tout contact entre un fil « sous tension » et l'accessoire de coupe pourrait également mettre « sous tension » les pièces métalliques exposées de l'outil et donner un choc électrique à l'utilisateur.
 - **Vérifiez l'outil et les matrices de coupe avant utilisation.** Remplacez les pièces usées ou endommagées. Un outil endommagé ou mal assemblé peut se briser et blesser l'utilisateur ou les personnes à proximité.
 - **NE PLACEZ JAMAIS une quelconque partie du corps près des éléments de coupe.** Un moment d'inattention pendant le fonctionnement des outils électriques peut occasionner des blessures graves.
 - **PORTEZ TOUJOURS des gants lorsque vous manipulez des tiges filetées.** Les extrémités et les filetages peuvent être tranchants et provoquer des blessures corporelles graves.
 - **Maintenez fermement la pièce métallique à couper** pour empêcher tout mouvement pendant la coupe.
 - **Portez toujours des chaussures de sécurité** pour protéger vos pieds des débris métalliques tranchants au sol.
 - **Maintenez toutes les vis serrées.** Vérifiez de temps en temps qu'elles ne sont pas desserrées.
 - **Ne placez rien dans les ouvertures du boîtier du moteur.**
 - **Tenez-vous à l'écart des extrémités de la pièce, car des morceaux pourraient tomber après la coupe.** Les morceaux peuvent être chauds, tranchants ou lourds.

- **Les événements couvrent souvent des pièces en mouvement et doivent être évités.** Les vêtements amples, les bijoux ou les cheveux longs peuvent se coincer entre les pièces mobiles.

⚠️ AVERTISSEMENT : PORTEZ TOUJOURS des lunettes de sécurité. Les lunettes de vue ne constituent PAS des lunettes de sécurité. Utilisez également un masque protecteur ou anti-poussières si l'opération de coupe génère de la poussière. **PORTEZ TOUJOURS UN ÉQUIPEMENT DE PROTECTION HOMOLOGUÉ :**

- Protection oculaire conforme à la norme ANSI Z87.1 (CAN/CSA Z94.3),
- Protection auditive conforme à la norme ANSI S12.6 (S3.19),
- Protection des voies respiratoires conforme aux normes NIOSH/OSHA/MSHA.

⚠️ AVERTISSEMENT : Certaines poussières produites par les travaux de ponçage, de sciage, de meulage, de perçage et autres contiennent des produits chimiques reconnus par l'État de la Californie pour causer le cancer, des anomalies congénitales ou d'autres problèmes liés aux fonctions reproductrices. Voici quelques exemples de ces produits chimiques :

- plomb provenant de peintures à base de plomb,
- silice cristallisée issue des briques, du ciment et autres produits de maçonnerie, ainsi que
- l'arsenic et le chrome provenant de bois traité chimiquement.

Le risque d'exposition dépend de votre fréquence de travail sur ce type d'activité. Pour minimiser vos risques d'exposition, il est conseillé de : travailler dans un lieu bien aéré, et utiliser un équipement de sécurité agréé, tel que les masques antipoussières conçus spécialement pour filtrer les particules microscopiques.

- **Éviter le contact prolongé avec les poussières produites par les activités de ponçage, sciage, meulage, perçage et autres activités de construction. Porter des vêtements de protection et laver les parties du corps exposées avec**

une solution d'eau et de savon. Le fait de laisser la poussière pénétrer dans la bouche et les yeux ou de la laisser reposer sur la peau peut promouvoir l'absorption de produits chimiques nocifs.

⚠️ AVERTISSEMENT : L'utilisation de cet outil peut produire et/ou disperser des poussières qui pourraient causer des problèmes respiratoires graves et permanents ou d'autres problèmes médicaux. Toujours porter un appareil respiratoire approuvé par le NIOSH/l'OSHA pour se protéger de la poussière. Diriger les particules loin du visage et du corps.

⚠️ AVERTISSEMENT : Toujours porter une protection auditive appropriée conformément à la norme ANSI S12.6 (S3.19) lors de l'utilisation du produit. Dans certaines conditions et selon la durée d'utilisation, le bruit émis par ce produit peut contribuer à une perte auditive.

⚠️ MISE EN GARDE : Lorsque l'outil n'est pas utilisé, le placer sur le côté, sur une surface stable, de manière à ne faire trébucher ou tomber personne. Certains outils présentant un gros bloc batterie reposeront sur ce dernier, à la verticale, mais risquent d'être facilement renversés.

- L'étiquette apposée sur votre outil peut inclure les symboles suivants. Les symboles et leur définition sont indiqués ci-après :

V..... volts	A..... ampères
Hz..... hertz	W..... watts
min minutes	~ ou AC..... courant alternatif
== ou DC... courant continu	⎓ ou AC/DC... courant alternatif
Ⓜ..... classe I fabrication (mis à la terre)	⎓ ou AC/DC... courant alternatif ou continu
□..... fabrication classe II (double isolation)	n _o vitesse à vide nominale
	n vitesse nominale

.../min par minute	⊕ borne de terre
IPM..... impacts par minute	⚠️ symbole d'avertissement
BPM..... battements par minute	r/min tours par minute
sfpm pieds linéaires par minute (plpm)	SPM (FPM)..... fréquence par minute
⚠️ radiation visible	

Instructions de sécurité importantes pour tous les blocs batteries

Lorsque vous commandez des blocs batteries de recharge, assurez-vous d'inclure le numéro de référence et la tension. Consultez le tableau à la fin de ce manuel pour voir la compatibilité des chargeurs et des blocs batteries.

Le bloc batterie n'est pas entièrement chargé à la livraison. Avant d'utiliser le bloc batterie et le chargeur, lisez les instructions de sécurité ci-dessous et suivez les instructions de charge décrites.

LISEZ TOUTES LES INSTRUCTIONS

- **Ne chargez pas et n'utilisez pas le bloc batterie dans des environnements explosifs, notamment en présence de liquides, de gaz ou de poussières inflammables.** L'insertion ou le retrait du bloc batterie du chargeur peut enflammer des poussières ou vapeurs.
- **NE FORCEZ JAMAIS le bloc batterie dans le chargeur. NE modifiez pas le bloc batterie en aucune façon afin de l'adapter à un chargeur non compatible car le bloc batterie peut se briser, provoquant des blessures corporelles graves.** Consultez le tableau à la fin de ce manuel pour voir la compatibilité des chargeurs et des batteries.

- Ne chargez les blocs batteries qu'avec des chargeurs DEWALT indiqués.
- **N'ÉCLABOUSSEZ PAS** ou n'immergez pas dans l'eau ou tout autre liquide.
- **N'entreposez pas ou n'utilisez pas là où la température peut atteindre ou dépasser 40 °C (105 °F) (tel que dans les remises extérieures ou les bâtiments métalliques en été).**

Pour une durée de vie optimale, entreposez les blocs batteries dans un endroit frais et sec.

REMARQUE : Ne rangez pas les blocs batteries dans un outil dont l'interrupteur gâchette est verrouillé en position de marche. Ne bloquez jamais l'interrupteur gâchette en position de MARCHE avec un ruban adhésif.

⚠AVERTISSEMENT : Risque d'incendie. N'essayez jamais en aucun cas d'ouvrir le bloc batterie. Si le bloc batterie est fêlé ou endommagé, ne l'insérez pas dans le chargeur. N'écrasez pas, ni ne faites tomber ni n'endommagez le bloc batterie. N'utilisez pas le bloc batterie ou le chargeur s'il a reçu un choc violent, est tombé, a été écrasé ou est endommagé de quelque manière que ce soit (p. ex. percé par un clou, frappé d'un coup de marteau ou piétiné). Les blocs batteries endommagés doivent être retournés au centre de réparation pour être recyclés.

⚠AVERTISSEMENT : Risque d'incendie. Ne rangez pas et ne transportez pas le bloc batterie de manière à ce que des objets métalliques puissent entrer en contact avec les bornes exposées de la batterie. Par exemple, ne mettez pas le bloc batterie dans des tabliers, poches, boîtes à outils, trousse de produit, tiroirs, etc., avec des clous libres, des vis, clés, etc., **Le transport des batteries peut provoquer des incendies si les bornes de la batterie entrent en contact par inadvertance avec des matériaux conducteurs comme des clés, pièces de monnaie, outils portatifs, et objets similaires.** Selon le règlement HMR du DOT (US Department of Transportation Hazardous Material

Regulations), il est effectivement interdit de transporter des batteries pour le commerce et dans les avions (c.-à-d. dans les valises et les bagages à main) À MOINS qu'elles ne soient bien protégées contre les courts-circuits. Pour le transport de batteries individuelles, assurez-vous donc que les bornes sont protégées et bien isolées contre toute matière pouvant entrer en contact avec elles et provoquer un court-circuit.

INSTRUCTIONS DE SÉCURITÉ SPÉCIFIQUES POUR LE LITHIUM-ION (Li-Ion)

- **N'incinerez pas un bloc batterie même s'il est sévèrement endommagé ou complètement usé.** La batterie peut exploser dans un feu. Des vapeurs et des matières toxiques peuvent se produire lorsque les batteries au lithium-ion sont brûlées.
- **Si le contenu de la batterie entre en contact avec la peau, lavez immédiatement la zone touchée au savon doux et à l'eau.** Si le liquide de la batterie entre en contact avec les yeux, rincez l'œil ouvert à l'eau pendant 15 minutes ou jusqu'à ce que l'irritation cesse. Si des soins médicaux sont nécessaires, l'électrolyte de la batterie est composé d'un mélange de carbonates organiques liquides et de sels de lithium.
- **Le contenu des batteries ouvertes peut provoquer une irritation respiratoire.** Exposez la personne à de l'air frais. Si les symptômes persistent, obtenir des soins médicaux.

⚠AVERTISSEMENT : Risque de brûlure. Le liquide de la pile peut s'enflammer s'il est exposé à des étincelles ou à une flamme.

Le sceau SRPRCMC

Le sceau SRPRCMC (Société de recyclage des piles rechargeables au Canada) sur la batterie nickel-cadmium, hydrure métallique de nickel, ou lithium-ion (ou sur le bloc batterie) indique que son coût de recyclage (ou celui du bloc batterie) à la fin de sa vie



utile a déjà été payé par DEWALT. Dans certaines régions, il est illégal de jeter les batteries nickel-cadmium, hydrure métallique ou lithium-ion dans les poubelles ou dans le système municipal d'évacuation des résidus solides. Le programme de la SRPRC représente donc une solution de rechange écologique.

SRPRCMC, en coopération avec DEWALT et d'autres utilisateurs de batteries, a établi des programmes aux États-Unis et au Canada pour faciliter la collecte des batteries au nickel-cadmium, hydrure métallique de nickel, ou lithium-ion endommagées. Aidez-nous à protéger l'environnement et à conserver nos ressources naturelles en retournant les batteries nickel-cadmium, hydrure métallique de nickel, ou lithium-ion épuisées à un centre de réparation DEWALT ou au détaillant de votre région pour qu'elles soient recyclées. Vous pouvez également communiquer avec le centre de recyclage de la région pour savoir où déposer les piles usées.

La SRPRCMC est une marque déposée de la *Société de recyclage des piles rechargeables au Canada*.

Instructions de sécurité importantes pour tous les chargeurs de batteries

CONSERVEZ CES CONSIGNES : Ce manuel contient des instructions de sécurité et de fonctionnement importantes pour les chargeurs de batteries.

- Avant d'utiliser le chargeur, lisez toutes les directives et les indications d'avertissement apposées sur le chargeur, le bloc batterie et le produit utilisant la batterie.

⚠AVERTISSEMENT : Risque de décharge électrique. Ne laissez aucun liquide pénétrer dans le chargeur. Cela peut provoquer un choc électrique.

⚠MISE EN GARDE : Risque de brûlure. Pour réduire les risques de blessures, chargez uniquement des batteries rechargeables DEWALT. D'autres types de batteries peuvent surchauffer et exploser, provoquant des blessures corporelles et des dommages matériels.

AVIS : Sous certaines conditions, avec le chargeur branché à l'alimentation, le chargeur peut être court-circuité par un matériau étranger. Les matériaux conducteurs, comprenant sans se limiter à, la poussière de meulage, les copeaux métalliques, la laine d'acier, le papier aluminium ou toute accumulation de particules métalliques, doivent être maintenus à l'écart des cavités du chargeur. Débranchez toujours le chargeur de l'alimentation lorsqu'il n'y a pas de batterie dans la cavité. Débranchez le chargeur avant de procéder au nettoyage.

- **N'essayez PAS de charger le bloc batterie avec d'autres chargeurs que ceux indiqués dans ce manuel.** Le chargeur et bloc batterie sont conçus spécialement pour fonctionner ensemble.
- **Ces chargeurs ne sont pas conçus pour une utilisation autre que le chargement de batteries rechargeables DEWALT.** Toute autre utilisation risque de provoquer un incendie, un choc électrique ou une électrocution.
- **N'exposez pas le chargeur à la pluie ou à la neige.**
- **Tirez par la prise plutôt que par le cordon pour débrancher le chargeur.** Celui réduira le risque de dommage à la prise électrique ou au cordon.
- **Assurez-vous que le cordon est situé de manière à ne pas être piétiné, faire trébucher, ou être soumis à tout autre dommage ou tension.**
- **N'utilisez de rallonge qu'en cas d'absolue nécessité.** L'utilisation d'une rallonge inadaptée peut provoquer un risque d'incendie, de choc électrique ou d'électrocution.
- **Lorsque vous utilisez un chargeur à l'extérieur, fournissez toujours un endroit sec et utilisez une rallonge électrique conçue pour un usage extérieur.** L'utilisation d'une rallonge conçue pour l'extérieur réduira les risques de décharge électrique.

- **Pour la sécurité de l'utilisateur, utilisez une rallonge de calibre adéquat (AWG ou American Wire Gauge [calibrage américain normalisé des fils]).** Plus le numéro de calibre de fil est petit et plus sa capacité est grande, par exemple un calibre 16 a plus de capacité qu'un calibre 18. Une rallonge de calibre inférieur causera une chute de tension de ligne et donc une perte de puissance et une surchauffe. Si plus d'une rallonge est utilisée pour obtenir la longueur totale, s'assurer que chaque rallonge présente au moins le calibre de fil minimum. Le tableau suivant indique le calibre approprié à utiliser selon la longueur de la rallonge et l'intensité nominale de la plaque signalétique. En cas de doute, utiliser le calibre suivant le plus gros. Plus le numéro de calibre est petit, plus le cordon est lourd.

Calibre minimum pour les cordons d'alimentation						
Ampères		Volts	Longueur totale du cordon d'alimentation en mètre (pieds)			
		120 V	7,6 (25)	15,2 (50)	30,5 (100)	45,7 (150)
		240 V	15,2 (50)	30,5 (100)	61,0 (200)	91,4 (300)
Plus que	Pas plus que	AWG				
0	6		18	16	16	14
6	10		18	16	14	12
10	12		16	16	14	12
12	16		14	12	Non recommandé	

- **Ne posez pas d'objets sur le chargeur et ne posez pas le chargeur sur une surface souple susceptible de bloquer les fentes d'aération et de provoquer une surchauffe interne.** Posez le chargeur loin de toute source de chaleur. Le chargeur est aéré par des fentes sur le dessus et le dessous du boîtier.

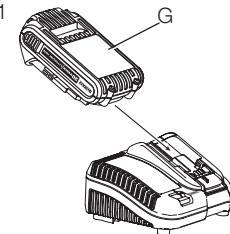
- **Ne faites pas fonctionner l'appareil si le cordon d'alimentation ou la fiche est endommagé(e).**
- **N'utilisez pas le chargeur s'il a reçu un coup dur, s'il est tombé ou s'il a été endommagé d'une quelconque façon.** Apportez-le à un centre de réparation agréé.
- **Ne démontez pas le chargeur; si un entretien ou une réparation est nécessaire, amenez-le à un centre de réparation agréé.** Un remontage incorrect peut provoquer un risque de choc électrique, d'électrocution ou d'incendie.
- **Débranchez le chargeur de la prise secteur avant de procéder au nettoyage.** Cela réduira le risque de choc électrique. Le retrait du bloc batterie ne réduira pas ce risque.
- **N'ESSAYEZ JAMAIS** de brancher 2 chargeurs ensemble.
- **Le chargeur est conçu pour fonctionner sur une alimentation électrique domestique standard de 120 V. Ne l'utilisez pas sur une autre tension.** Cela ne concerne pas les chargeurs sur véhicules.

Chargeur

S'assurer de bien lire toutes les directives de sécurité avant toute utilisation du chargeur. Consulter le tableau en dernière page de ce manuel pour connaître les compatibilités entre chargeurs et blocs-piles.

Chargement du bloc-piles (Fig. 1)

1. Branchez le chargeur dans la prise FIG. 1 appropriée avant d'y insérer le bloc-piles.
2. Insérer le bloc-piles (C) dans le chargeur, en vous assurant qu'il y est correctement calé. Le voyant rouge (charge) clignotera de façon continue indiquant que le cycle de chargement a commencé.



3. En fin de charge, le voyant rouge restera ALLUMÉ de façon continue. Le bloc-piles est alors complètement rechargé et peut être utilisé ou laissé dans le chargeur. Pour retirer le bloc-piles du chargeur, appuyez sur le bouton de libération du bloc-piles (M) sur le bloc-piles.

REMARQUE : pour assurer des performances optimales et une durée de vie maximale des blocs-piles au lithium-ion, recharger pleinement le bloc-piles avant toute utilisation initiale.

Utilisation du chargeur

Reportez-vous aux indications du tableau ci-dessous pour consulter le statut de charge du bloc-piles.

Voyants de charge: DCB101		
	Bloc-piles en Cours de Chargement	— — — —
	Bloc-piles Chargé	————
	Suspension de Charge Contre le Chaud/Froid	— • — • — •
	Bloc-Pile ou Chargeur Défectueux	• • • • • • • •
Voyants de charge: DCB107, DCB112, DCB113, DCB115, DCB118		
	Bloc-piles en Cours de Chargement	— — — —
	Bloc-piles Chargé	————
	Suspension de Charge Contre le Chaud/Froid*	— — — ———

***DCB107, DCB112, DCB113, DCB115, DCB118:** le voyant rouge ne cessera de clignoter, mais un voyant jaune restera allumé pendant cette opération. Lorsque le bloc-piles aura repris une température appropriée, le voyant jaune s'éteindra et le chargeur reprendra sa procédure de charge.

Le chargeur ne pourront recharger des blocs-piles défectueux. Le chargeur indiquera qu'un bloc-piles est défectueux en refusant de s'allumer ou en affichant bloc-piles ou chargeur défectueux.

REMARQUE : cela pourra aussi indiquer un problème avec le chargeur.

Si le problème provient du chargeur, faites vérifier le chargeur et le bloc-piles chez un centre de réparation agréé.

FONCTION DE SUSPENSION DE CHARGE CONTRE LE CHAUD/FROID

Lorsque le chargeur détecte un bloc-piles trop chaud ou trop froid, il démarre automatiquement la fonction de suspension de charge contre le chaud, suspendant le chargement jusqu'à ce que le bloc-piles ait repris une température appropriée. Le chargeur ensuite se remettra automatiquement en mode de chargement. Cette caractéristique assure aux blocs-piles une durée de vie maximale.

Un bloc-piles froid se rechargera moins vite qu'un bloc-piles chaud. Le bloc-piles se rechargera à ce rythme plus lent tout au cours du cycle de charge et ne retournera pas à sa vitesse maximale de charge même s'il venait à se réchauffer.

Le chargeur DCB118 est équipé d'un ventilateur interne destiné à refroidir le bloc-piles. Le ventilateur se mettra automatiquement en marche chaque fois que le bloc-piles aura besoin de se refroidir.

N'utilisez jamais le chargeur si le ventilateur ne fonctionne pas correctement ou si ses fentes d'aération sont bloquées. Protégez systématiquement l'intérieur du chargeur de tout objet étranger.

BLOCS-PILES AU LITHIUM-ION SEULEMENT

Les appareils au Li-Ion sont équipés d'un système électronique de protection pour protéger les blocs-piles de toute surcharge, surchauffe ou fuite importante.

L'appareil s'arrêtera automatiquement dès que le système électronique de protection sera activé. Si c'était le cas, placez le bloc-piles au lithium-ion sur son chargeur jusqu'à ce qu'il soit complètement rechargé.

Installation murale

DCB107, DCB112, DCB113, DCB115, DCB118

Ces chargeurs ont été conçus pour une installation murale ou pour être posés sur une table ou une surface de travail. Pour une fixation murale, installez le chargeur à proximité d'une prise électrique, et à l'écart de coins ou de toute autre obstruction au passage de l'air. Utilisez l'arrière du chargeur pour marquer l'emplacement des vis de montage sur le mur. Fixez soigneusement le chargeur à l'aide de vis autoforeuses (vendues séparément) d'au moins 25,4 mm (1 po) de long, et de diamètre de tête de 7-9 mm (0,28-0,35 po), que vous visserez dans le bois en laissant une longueur optimale d'environ 5,5 mm (7/32 po) exposée. Alignez les orifices à l'arrière du chargeur sur les vis exposées et insérez à fond ces dernières dans les orifices.

Instructions d'entretien du chargeur

⚠AVERTISSEMENT : *risques de chocs électriques. Débrancher le chargeur de la prise de courant alternatif avant tout entretien. Éliminer toute saleté ou graisse de la surface externe du chargeur à l'aide d'un chiffon ou d'une brosse non métallique douce. N'utiliser ni eau ni aucun nettoyant liquide.*

Remarques importantes concernant le chargement

1. Pour augmenter la durée de vie du bloc-piles et optimiser son rendement, le recharger à une température ambiante de 18 ° à 24 °C (65 °F à 75 °F). NE PAS recharger le bloc-piles à une température inférieure à + 4,5 °C (+ 40 °F) ou supérieure à + 40 °C (+ 104 °F). C'est important pour prévenir tout dommage sérieux au bloc-piles.

2. Le chargeur et son bloc-piles peuvent devenir chauds au toucher pendant la charge. C'est normal et ne représente en aucun cas une défaillance du produit. Pour faciliter le refroidissement du bloc-piles après utilisation, éviter de laisser le chargeur ou le bloc-piles dans un local où la température ambiante est élevée comme dans un hangar métallique ou une remorque non isolée.
3. Si le bloc-piles ne se recharge pas correctement :
 - a. Vérifier le bon fonctionnement de la prise en y branchant une lampe ou tout autre appareil électrique.
 - b. Vérifier que la prise n'est pas contrôlée par un interrupteur qui coupe le courant lorsqu'on éteint les lumières.
 - c. Déplacer le chargeur et le bloc-piles dans un local où la température ambiante se trouve entre environ 18 ° et 24 °C (65 °F et 75 °F).
 - d. Si le problème persiste, amener l'outil, le bloc-piles et son chargeur dans un centre de réparation local.
4. Recharger le bloc-piles lorsqu'il ne produit plus assez de puissance pour effectuer un travail qu'il faisait facilement auparavant. NE PAS CONTINUER à l'utiliser dans ces conditions. Suivre la procédure de charge. Si nécessaire, il est aussi possible de recharger un bloc-piles partiellement déchargé sans effet nuisible sur le bloc-piles.
5. Les corps étrangers conducteurs tels que (mais pas limité à) poussières de rectification, débris métalliques, laine d'acier, feuilles d'aluminium, ou toute accumulation de particules métalliques doivent être maintenus à distance des orifices du chargeur. Débrancher systématiquement le chargeur lorsque le bloc-piles n'y est pas inséré. Débrancher systématiquement le chargeur avant tout entretien.
6. Ne pas congeler ou immerger le chargeur dans l'eau ou tout autre liquide.

⚠️AVERTISSEMENT : risques de chocs électriques. Ne laisser aucun liquide pénétrer dans le chargeur, des chocs électriques pourraient en résulter.

⚠️AVERTISSEMENT : risques de brûlure. Ne submerger le bloc-piles dans aucun liquide et le protéger de toute infiltration de liquide. Ne jamais tenter d'ouvrir le bloc-piles pour quelque raison que ce soit. Si le boîtier plastique du bloc-piles est brisé ou fissuré, le retourner dans un centre de réparation pour y être recyclé.

Recommandations de stockage

1. Le lieu idéal de rangement est un lieu frais et sec, à l'abri de toute lumière solaire directe et de toute température excessive.
2. Pour un stockage prolongé, il est recommandé d'entreposer le bloc-piles pleinement chargé dans un lieu frais et sec, hors du chargeur pour optimiser les résultats.

REMARQUE : les blocs-piles ne devraient pas être entreposés complètement déchargés. Il sera nécessaire de recharger le bloc-piles avant réutilisation.

CONSERVER CES CONSIGNES POUR UTILISATION ULTÉRIEURE

Utilisation prévue

Cette pince à couper les tiges filetées résistante est conçue pour un usage professionnel.

NE l'utilisez PAS dans des conditions humides ou en présence de liquides ou de gaz inflammables.

NE l'utilisez PAS pour couper des boulons en acier trempé, des filetages de tailles différentes, ou des barres d'armature.

APPLICATIONS RECOMMANDÉES

	Tailles de tiges	Filets au pouce
Acier doux	0,63 mm (1/4 po)	20
	0,95 cm (3/8 po)	16
	0,95 cm (1/2 po)	13
Acier inoxydable	0,63 mm (1/4 po)	20
	0,95 cm (3/8 po)	16
Acier trempé de grade 8	0,63 mm (1/4 po)	20
	0,95 cm (3/8 po)	16

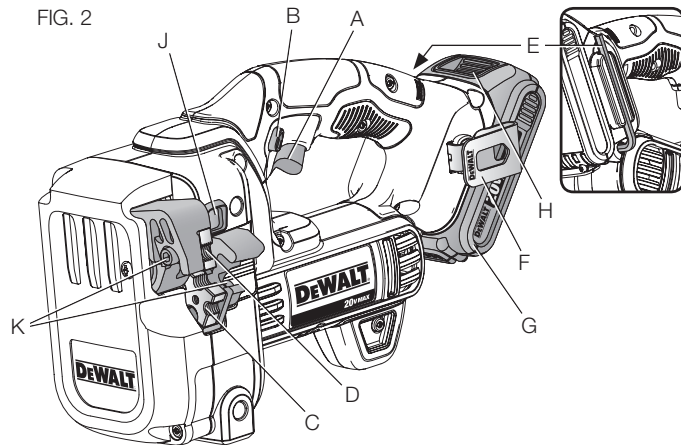
Il s'agit d'un outil électrique professionnel. **NE LAISSEZ PAS** les enfants toucher à l'outil. Les opérateurs inexpérimentés doivent être supervisés lorsqu'ils utilisent cet outil.

COMPOSANTS (Fig. 2)

⚠️AVERTISSEMENT : Ne jamais modifier l'outil électrique ou l'une de ses parties. Une telle pratique risque de provoquer des dommages matériels ou des blessures.

- | | |
|------------------------------------------------|----------------------------------------------|
| A. Commutateur | G. Bloc batterie |
| B. Bouton de réinitialisation/
verrouillage | H. Bouton d'éjection de la
batterie |
| C. Matrice de coupe stationnaire | J. Lampe de travail à DEL |
| D. Matrice de coupe mobile | K. Capuchons vissés des
matrices de coupe |
| E. Clé hexagonale | |
| F. Crochet de suspension | |

FIG. 2



RÉGLAGE

⚠ AVERTISSEMENT : Pour réduire le risque de blessures corporelles graves, éteignez l'appareil et retirez le bloc batterie avant d'effectuer tout réglage, d'enlever ou d'installer tout accessoire. Un démarrage accidentel pourrait provoquer des blessures.

Retirer, changer et/ou remplacer les matrices de coupe (Fig. 2, 3)

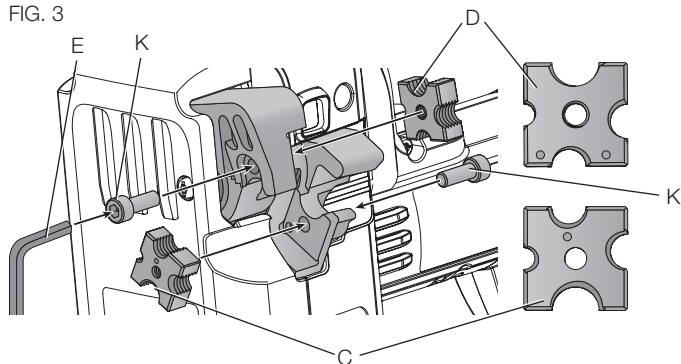
⚠ AVERTISSEMENT : N'essayez jamais de réparer une matrice de coupe endommagée ou usée. Cela peut affaiblir la matrice et provoquer des blessures graves. Jetez l'ensemble et remplacez-le par un nouvel ensemble.

Cet outil est équipé d'une matrice de coupe stationnaire (C) et d'une matrice de coupe mobile (D). Chaque matrice de coupe est conçue avec trois tailles de coupe de filetages différentes. L'orientation de la matrice de coupe est critique lors du changement ou du remplacement des matrices.

1. Desserrez les deux capuchons vissés des matrices de coupe (K) dans le sens inverse des aiguilles d'une montre avec la clé hexagonale (E) fournie.
 2. Si votre taille de coupe de filetage souhaitée est excessivement usée, remplacez le tout par un nouvel ensemble de matrices de coupe.
 3. Positionnez les matrices de coupe de manière à ce que la matrice de coupe stationnaire et la matrice de coupe mobile soient toutes deux alignées avec la même taille de filetage.
- REMARQUE :** Assurez-vous que les points sur les matrices de coupe sont face à face tandis qu'ils sont installés contre les deux surfaces perpendiculaires de la mâchoire de la matrice de coupe (C) stationnaire et de la mâchoire de la matrice de coupe (D) mobile avant de serrer.
4. Serrez les capuchons vissés (K) de la matrice de coupe dans le sens des aiguilles d'une montre avec la clé hexagonale (E).
 5. Installez une batterie et faites effectuer un cycle à l'outil pour vous assurer que l'assemblage et l'alignement sont corrects avant d'effectuer la coupe.

⚠ MISE EN GARDE : Si les capuchons vissés des matrices ou la clé hexagonale sont perdus ou endommagés, remplacez-les par des pièces de rechange identiques. Les pièces de rechange recommandées pour l'utilisation avec cet outil sont en vente chez un détaillant local ou un centre de service autorisé. Utilisez toujours des pièces de rechange identiques.

FIG. 3



FONCTIONNEMENT

⚠AVERTISSEMENT : Pour réduire le risque de blessures corporelles graves, éteignez l'appareil et retirez le bloc batterie avant d'effectuer tout réglage, d'enlever ou d'installer tout accessoire. Un démarrage accidentel pourrait provoquer des blessures.

⚠AVERTISSEMENT : Risque de coupure. NE PLACEZ JAMAIS une quelconque partie du corps près des éléments de coupe. Une telle pratique pourrait entraîner des blessures corporelles graves.

⚠AVERTISSEMENT : Risque de coupure. Pour réduire le risque de blessures corporelles, N'UTILISEZ PAS la pince à couper des tiges filetées avec tout accessoire ou pièce jointe autre que ceux recommandés par DEWALT.

⚠AVERTISSEMENT : Risque de coupure. Portez des gants lors de la manipulation de la tige filetée. Les extrémités et les filetages peuvent être tranchants et provoquer des blessures corporelles graves.

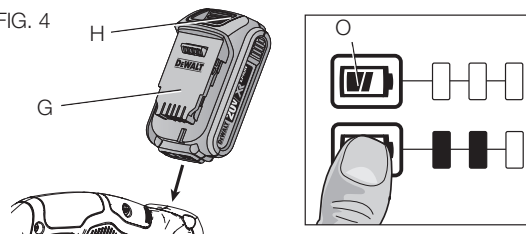
Installation et retrait du bloc batterie (Fig. 4)

REMARQUE : Pour de meilleurs résultats, assurez-vous que le bloc batterie est entièrement chargé.

Pour installer le bloc batterie (G) dans la poignée de l'outil, alignez le bloc batterie avec les rails à l'intérieur de la poignée de l'outil et glissez-le dans la poignée jusqu'à ce que le bloc batterie soit fermement installé dans l'outil et assurez-vous qu'il ne se détachera pas.

Pour retirer le bloc batterie de l'outil, appuyez sur le bouton d'éjection (H) et tirez fermement le bloc batterie hors de la poignée. Insérez-la dans le chargeur comme décrit dans la section chargeur de ce manuel.

FIG. 4



BLOCS BATTERIES À JAUGE (FIG. 4)

Certains blocs batteries DEWALT comprennent une jauge qui consiste en trois lumières DEL vertes indiquant le niveau de charge restant dans le bloc.

Pour actionner la jauge, appuyez sur et maintenez le bouton de la jauge (O). Une combinaison de trois lumières DEL vertes s'allumera, indiquant le niveau de charge restant. Lorsque le niveau de charge de la batterie est en-dessous de la limite utilisable, la jauge ne s'allumera pas et la batterie devra être rechargée.

REMARQUE : La jauge n'est qu'une indication du niveau de charge restant dans le bloc batterie. Il ne permet pas de connaître la fonctionnalité de l'outil. Par ailleurs, la lecture de l'indicateur peut varier selon les composants du produit, la température et l'application de l'utilisateur.

Pour plus d'informations concernant les blocs batteries à jauge, appelez le 1-800-4-DEWALT (1-800-433-9258) ou visitez notre site Web www.dewalt.com.

Interrupteur gâchette (Fig. 5)

⚠ AVERTISSEMENT : Cet outil n'est doté d'aucun dispositif permettant de verrouiller l'interrupteur à la position de MARCHE; il ne doit donc jamais être verrouillé à cette position par quelque moyen que ce soit. Pour allumer l'outil, appuyez sur la détente (A). Pour l'éteindre, relâchez la détente.

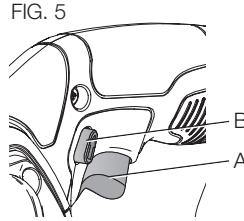
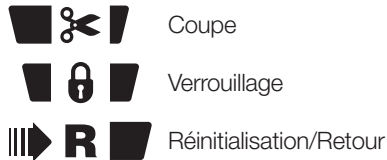


FIG. 5

Bouton de réinitialisation/verrouillage (Fig. 5)



Le bouton de réinitialisation/verrouillage à ressort (B) détermine la position de l'outil et sert également de bouton de verrouillage.

Pour sélectionner le mode de coupe normal, relâchez l'interrupteur gâchette et actionnez le bouton de réinitialisation/verrouillage à droite de l'outil.

La position centrale du bouton verrouille l'outil en position d'arrêt. Assurez-vous que la gâchette est relâchée lorsque vous changez la position du bouton de réinitialisation/verrouillage.

Pour sélectionner la réinitialisation, actionnez et maintenez le bouton de réinitialisation/verrouillage à gauche de l'outil.

AVIS : La pince à couper les tiges peut s'arrêter pendant l'utilisation à cause d'une batterie vide, ou à cause d'un matériau à couper trop dur ou trop large.

Si l'appareil s'arrête pendant la coupe pour quelque raison que ce soit, actionnez et maintenez le bouton à ressort de réinitialisation/verrouillage (B) en position de réinitialisation (à gauche) et appuyez sur l'interrupteur gâchette (A) pour ouvrir les mâchoires et retirer le matériau.

AVIS : N'essayez pas de couper en position de réinitialisation. Cela peut endommager l'outil.

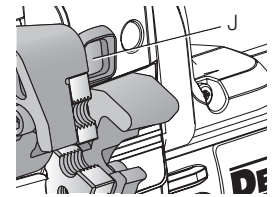
Lampe de travail à DEL (Fig. 6)

⚠ MISE EN GARDE : Ne pas regarder directement le faisceau de la lampe. Risque de lésions oculaires graves.

Une lampe de travail (J) est située au-dessus de la zone de coupe de l'outil. La lampe de travail est activée quand l'interrupteur gâchette est actionné, et s'éteint automatiquement 20 secondes après que l'interrupteur gâchette soit relâché. Si l'interrupteur gâchette reste actionné, la lampe de travail restera allumée.

REMARQUE : La lampe de travail permet d'éclairer la surface de travail immédiate et n'est pas destinée à servir de lampe de poche.

FIG. 6



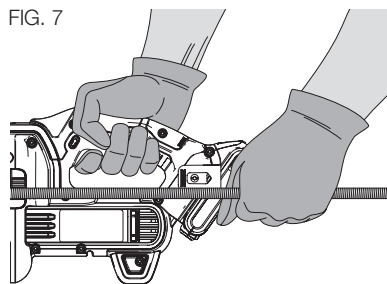
Crochet de suspension (Fig. 2)

⚠AVERTISSEMENT : Pour réduire le risque de blessure provoqué par la chute de la pince à couper les tiges filetées sur les utilisateurs ou les personnes proches, assurez-vous qu'elle est bien accrochée lorsque vous utilisez le crochet de suspension, ou se trouve dans un endroit sécurisé et stable, lorsque vous ne l'utilisez pas. Assurez-vous que la zone en-dessous est dégagée pour réduire le risque de chute de l'outil ou de matériaux coupés sur quelqu'un ou quelque chose en-dessous.

La pince à couper les tiges filetées dispose d'un crochet de suspension pratique (F) lui permettant d'être accrochée à une structure adaptée et stable entre chaque utilisation. Le crochet de suspension n'est pas conçu pour sangler ou fixer l'outil à une personne ou un objet pendant une utilisation en hauteur.

Position correcte des mains (Fig. 7)

⚠AVERTISSEMENT : Pour réduire le risque de blessures corporelles graves, utilisez TOUJOURS la position correcte des mains comme indiqué.



Coupe (Fig. 8)

⚠AVERTISSEMENT : **Risque de coupure.** Portez des gants et des lunettes de protection lorsque vous manipulez et coupez des tiges filetées. Les bords sont tranchants et peuvent causer des blessures corporelles graves.

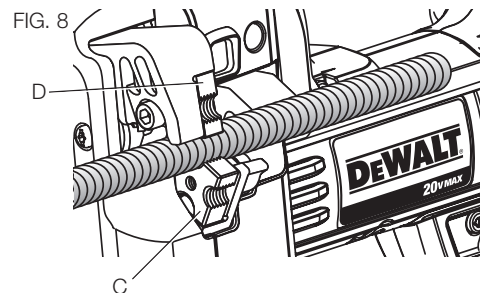
⚠MISE EN GARDE : La longueur de coupe des tiges filetées doit être de 6 mm (1/4 po.) minimum.

Pour un travail précis, fixez toujours la pièce d'ouvrage avant de couper.

AVIS : Avant de couper, assurez-vous que la bonne taille de matrice est en place pour la taille de tige prévue.

1. Positionnez la tige filetée de manière à ce que le matériau soit entre la matrice de coupe stationnaire (C) et la matrice de coupe mobile (D).
2. Alignez la tige filetée avec les matrices de coupe.
3. Actionnez la gâchette jusqu'à ce que la pièce d'ouvrage soit totalement coupée.
4. Relâchez la gâchette quand la pince a atteint la position ouverte.

Lorsque vous coupez en élévation, assurez-vous toujours que la pièce d'ouvrage est bien fixée avant de couper et que l'excès de tige coupé est éliminé en toute sécurité.



ENTRETIEN

⚠️ AVERTISSEMENT : Pour réduire le risque de blessures corporelles graves, éteignez l'appareil et retirez le bloc batterie avant d'effectuer tout réglage, d'enlever ou d'installer tout accessoire. Un démarrage accidentel pourrait provoquer des blessures.

Nettoyage

⚠️ AVERTISSEMENT : Enlevez les saletés et la poussière hors des événements au moyen d'air comprimé sec et propre, au moins une fois par semaine. Pour minimiser le risque de blessure aux yeux, portez toujours une protection oculaire conforme à la norme ANSI Z87.1 lors du nettoyage.

⚠️ AVERTISSEMENT : Ne jamais utiliser de solvants ni d'autres produits chimiques durs pour nettoyer les pièces non métalliques de l'outil. Ces produits chimiques peuvent affaiblir les matériaux de plastique utilisés dans ces pièces. Utiliser un chiffon humecté uniquement d'eau et de savon doux. Ne jamais laisser de liquide pénétrer dans l'outil et n'immerger aucune partie de l'outil dans un liquide.

INSTRUCTIONS POUR LE NETTOYAGE DU CHARGEUR

⚠️ AVERTISSEMENT : Risque de décharge électrique. Débranchez le chargeur de la prise secteur avant de le nettoyer. La crasse et la graisse peuvent être retirées de l'extérieur du chargeur à l'aide d'un chiffon ou d'une brosse douce non métallique. Ne pas utiliser d'eau ni d'autres solutions de nettoyage.

Accessoires

⚠️ AVERTISSEMENT : Puisque les accessoires autres que ceux offerts par DEWALT n'ont pas été testés avec ce produit, l'utilisation de ceux-ci avec l'outil pourrait s'avérer dangereuse. Pour réduire le risque de blessures, utilisez exclusivement les accessoires DEWALT recommandés avec le produit.

Les accessoires recommandés pour l'utilisation avec cet outil sont en vente chez un détaillant local ou un centre de service autorisé. Si vous avez besoin d'aide pour trouver un accessoire, communiquez avec DEWALT Industrial Tool Co., 701 East Joppa Road, Baltimore, MD 21286, composez le 1-800-4-DEWALT (1-800-433-9258) ou consultez notre site Web : www.dewalt.com.

Réparations

Le chargeur et le bloc batterie ne sont pas réparables.

Pour assurer la SÉCURITÉ et la FIABILITÉ du produit, les réparations, l'entretien et les réglages (comprenant la vérification et le remplacement des balais) doivent être effectués par un centre de réparation d'usine DEWALT, un centre de réparation agréé DEWALT, ou un réparateur qualifié. Toujours utiliser des pièces de rechange identiques.

Enregistrement en ligne

Merci pour votre achat. Enregistrez maintenant votre produit pour :

- **SERVICE APRÈS-VENTE :** L'enregistrement de votre produit vous aidera à obtenir un service après-vente plus efficace en cas de problème avec votre produit.
- **CONFIRMATION DE PROPRIÉTÉ :** En cas de perte d'assurance, comme en cas d'incendie, d'inondation ou de vol, l'enregistrement de votre produit servira de preuve d'achat.

- **POUR VOTRE SÉCURITÉ** : Enregistrez votre produit. Nous pourrions ainsi communiquer avec vous dans l'éventualité, peu probable, où la Federal Consumer Safety Act (Loi sur la sécurité des consommateurs) exige la diffusion d'un avis sur la sécurité.

Enregistrez-vous en ligne sur www.dewalt.com/register.

Garantie limitée de trois ans

DEWALT réparera gratuitement tous les problèmes dus à des défauts de matériau ou de fabrication pendant trois ans à compter de la date d'achat. Cette garantie ne couvre pas des défaillances de pièce dues à une usure normale ou à une mauvaise utilisation de l'outil. Pour en savoir plus sur la protection et les réparations sous garantie, visitez le site Web www.dewalt.com ou composez le 1-800-4-DEWALT (1-800-433-9258). Cette garantie ne s'applique pas aux accessoires ni aux dommages causés par des réparations réalisées ou tentées par des tiers. Cette garantie vous accorde des droits légaux spécifiques et il est possible que vous ayez d'autres droits qui varient d'un État ou d'une province à l'autre.

En plus de la garantie, les outils DEWALT sont couverts par notre :

SERVICE D'ENTRETIEN GRATUIT D'UN (1) AN

DEWALT entretiendra l'outil et remplacera gratuitement les pièces usées par une utilisation normale en tout temps pendant la première année à compter de la date d'achat.

SERVICE D'ENTRETIEN GRATUIT DE 2 ANS SUR LES BLOCS BATTERIES DEWALT

DC9071, DC9091, DC9096, DC9280, DC9360, DC9180, DCB120, DCB201 et DCB203

SERVICE D'ENTRETIEN GRATUIT DE 3 ANS SUR LES BLOCS BATTERIES DEWALT

DCB200, DCB204

BLOCS BATTERIES DEWALT

La garantie du produit est nulle si le bloc batterie est modifiée d'un quelconque façon. DEWALT décline toute responsabilité en cas de blessures provoquées par une modification et peut engager des poursuites judiciaires pour fraude à la garantie dans le cadre défini par la loi.

GARANTIE DE REMBOURSEMENT DE 90 JOURS

Si vous n'êtes pas entièrement satisfait des performances de votre outil électrique, laser ou de votre cloueuse DEWALT pour quelque raison que ce soit, vous pouvez le renvoyer accompagné d'un reçu dans les 90 jours suivant la date d'achat, et nous vous rembourserons entièrement – sans poser de questions.

AMÉRIQUE LATINE : Cette garantie ne s'applique pas aux produits vendus en Amérique latine. Pour les produits vendus en Amérique latine, veuillez consulter les informations relatives à la garantie propre au pays, présentes dans l'emballage, appelez l'entreprise locale ou consultez le site Web pour connaître les informations relatives à la garantie.

REMPLACEMENT GRATUIT DES ÉTIQUETTES D'AVERTISSEMENT

Si l'étiquette d'avertissement devient illisible ou est manquante, composez le 1-800-4-DEWALT (1-800-433-9258) pour un remplacement gratuit.



Definiciones: Lineamientos de seguridad

Las definiciones siguientes describen el nivel de gravedad de cada palabra de indicación. Lea el manual y preste atención a estos símbolos.

▲ PELIGRO: Indica una situación inminentemente peligrosa que, si no se evita, **resultará en la muerte o lesiones graves.**

▲ ADVERTENCIA: Indica una situación potencialmente peligrosa que, si no se evita, **podría resultar en la muerte o lesiones graves.**

▲ PRECAUCIÓN: Indica una situación potencialmente peligrosa que, si no se evita, **puede resultar en lesiones menores o moderadas.**

AVISO: Indica una práctica **no relacionada con lesiones** que, si no se evita, **puede resultar en daños a los bienes.**

SI TIENE CONSULTAS O COMENTARIOS ACERCA DE ESTA HERRAMIENTA DEWALT O DE CUALQUIER OTRA, LLÁMENOS SIN CARGO AL NÚMERO: **1-800-4-DEWALT (1-800-433-9258).**



ADVERTENCIA: Para reducir el riesgo de lesión, lea el manual de instrucciones.

Advertencias generales de seguridad de herramientas eléctricas



¡ADVERTENCIA! Lea todas las advertencias de seguridad y todas las instrucciones. El incumplimiento de las advertencias e instrucciones podría provocar una descarga eléctrica, un incendio o lesiones graves.

GUARDE TODAS LAS ADVERTENCIAS E INSTRUCCIONES PARA FUTURAS CONSULTAS

El término “herramienta eléctrica” que aparece en las advertencias siguientes se refiere a la herramienta eléctrica alimentada a través de la red eléctrica (con cable) o a la que funciona con batería (sin cable).

1) SEGURIDAD EN LA ZONA DE TRABAJO

- Mantenga su área de trabajo limpia y bien iluminada.** Las áreas en desorden u oscuras pueden provocar accidentes.
- No utilice herramientas eléctricas en atmósferas explosivas, como ambientes donde haya polvo, gases o líquidos inflamables.** Las herramientas eléctricas originan chispas que pueden inflamar el polvo o los gases.
- Mantenga alejados a los niños y a las personas que estén cerca mientras utiliza una herramienta eléctrica.** Las distracciones pueden provocar la pérdida de control.

2) SEGURIDAD ELÉCTRICA

- Los enchufes de las herramientas eléctricas deben corresponderse con la toma de corriente. No modifique nunca el enchufe de ninguna forma. No utilice ningún enchufe adaptador con herramientas eléctricas conectadas a tierra.** Los enchufes no modificados y las tomas de corriente correspondientes reducirán el riesgo de descarga eléctrica.
- Evite el contacto corporal con superficies conectadas a tierra, tales como tuberías, radiadores, cocinas y neveras.** Existe un mayor riesgo de descarga eléctrica si su propio cuerpo está conectado a tierra.

- c) **No exponga las herramientas eléctricas a la lluvia ni a condiciones húmedas.** Si entra agua a una herramienta eléctrica aumentará el riesgo de descarga eléctrica.
- d) **No someta el cable de alimentación a abusos. No use nunca el cable para transportar, tirar de la herramienta eléctrica o desenchufarla. Mantenga el cable alejado del calor, aceite, bordes afilados y piezas en movimiento.** Los cables dañados o enredados aumentan el riesgo de descarga eléctrica.
- e) **Cuando esté utilizando una herramienta eléctrica al aire libre, use un cable alargador adecuado para uso en exteriores.** La utilización de un cable adecuado para el uso en exteriores reduce el riesgo de descarga eléctrica.
- f) **Si no se puede evitar usar una herramienta eléctrica en una ubicación húmeda, utilice un suministro con protección de interruptor de circuito por falla a tierra (GFCI, por su sigla en inglés).** El uso de un GFCI disminuye el riesgo de descarga eléctrica.

3) SEGURIDAD PERSONAL

- a) **Manténgase alerta, esté atento a lo que hace y use el sentido común cuando utilice una herramienta eléctrica. No use una herramienta eléctrica cuando esté cansado o bajo los efectos de drogas, medicamentos o alcohol.** Un momento de falta de atención cuando se manejan las herramientas eléctricas puede ocasionar lesiones graves.
- b) **Utilice equipo de seguridad personal. Use siempre protección ocular.** El uso de equipo de protección, como mascarillas para polvo, calzado de seguridad antideslizante, cascos o protección auditiva en las condiciones adecuadas reducirá las lesiones.
- c) **Evite la puesta en funcionamiento involuntaria. Asegúrese de que el interruptor esté en posición de**

apagado antes de conectar a la fuente de alimentación o a la batería, o de levantar o transportar la herramienta.

El transportar herramientas eléctricas con el dedo puesto en el interruptor o energizar herramientas eléctricas que tengan el interruptor en encendido puede provocar accidentes.

- d) **Saque toda llave de ajuste o llave inglesa antes de encender la herramienta eléctrica.** Una llave inglesa u otra llave que se deje puesta en una pieza en movimiento de la herramienta eléctrica pueden ocasionar lesiones personales.
- e) **No se estire demasiado. Mantenga un equilibrio adecuado y la estabilidad constantemente.** Esto permite un mejor control de la herramienta eléctrica en situaciones inesperadas.
- f) **Use la vestimenta adecuada. No use ropa holgada ni joyas. Mantenga el cabello, la ropa y los guantes alejados de las piezas en movimiento.** La ropa holgada, las joyas o el cabello largo se pueden enganchar en las piezas en movimiento.
- g) **Si se suministran dispositivos para la conexión del equipo de extracción y recogida de polvo, asegúrese de que estén conectados y de que se usen adecuadamente.** El uso de equipo de recogida de polvo puede reducir los riesgos relacionados con el polvo.

4) USO Y CUIDADO DE LA HERRAMIENTA ELÉCTRICA

- a) **No fuerce la herramienta eléctrica. Use la herramienta eléctrica correcta para su trabajo.** La herramienta eléctrica correcta funcionará mejor y con mayor seguridad si se utiliza de acuerdo con sus características técnicas.
- b) **No utilice la herramienta eléctrica si no puede encenderse y apagarse con el interruptor.** Toda herramienta eléctrica que no pueda controlarse con el interruptor es peligrosa y debe ser reparada.

- c) **Desconecte el enchufe de la fuente de alimentación o la batería de la herramienta eléctrica antes de realizar ajustes, cambiar accesorios o guardar las herramientas eléctricas.** Dichas medidas de seguridad preventivas reducen el riesgo de poner en marcha accidentalmente la herramienta eléctrica.
- d) **Guarde las herramientas eléctricas que no esté utilizando fuera del alcance de los niños y no permita que utilicen la herramienta eléctrica las personas que no estén familiarizadas con ella o con estas instrucciones.** Las herramientas eléctricas son peligrosas en manos de personas no capacitadas.
- e) **Realice el mantenimiento de las herramientas eléctricas. Compruebe si hay desalineación o bloqueo de las piezas en movimiento, rotura de piezas y otras condiciones que puedan afectar el funcionamiento de la herramienta eléctrica. Si la herramienta eléctrica está dañada, llévela para que sea reparada antes de utilizarla.** Se ocasionan muchos accidentes por el mal mantenimiento de las herramientas eléctricas.
- f) **Mantenga las herramientas para cortar afiladas y limpias.** Hay menos probabilidad de que las herramientas para cortar con bordes afilados se bloqueen y son más fáciles de controlar.
- g) **Utilice la herramienta eléctrica, los accesorios, las brocas de la herramienta, etc., conforme a estas instrucciones, teniendo en cuenta las condiciones de trabajo y el trabajo que vaya a realizarse.** El uso de la herramienta eléctrica para operaciones que no sean las previstas puede ocasionar una situación peligrosa.

5) USO Y CUIDADO DE LA HERRAMIENTA A BATERÍA

- a) **Recargue la herramienta únicamente con el cargador especificado por el fabricante.** Un cargador apropiado para

un tipo de paquete de baterías puede generar un riesgo de incendio si se lo utiliza con otro paquete de baterías.

- b) **Utilice las herramientas eléctricas con los paquetes de baterías específicamente designados.** El uso de cualquier otro paquete de baterías puede generar un riesgo de lesiones e incendio.
- c) **Cuando el paquete de baterías no esté en uso, manténgalo alejado de otros objetos de metal, tales como ganchos sujetapapeles, monedas, llaves, clavos, tornillos u otros objetos pequeños de metal que puedan generar una conexión de un terminal a otro.** El cortocircuito entre los terminales de la batería puede provocar quemaduras o un incendio.
- d) **En condiciones de uso extremo, el líquido puede salirse de la batería. Evite tocarlo. Si accidentalmente lo tocara, enjuáguese con agua. Si el líquido le entrara en los ojos, consulte con un médico.** El líquido expulsado de la batería puede causar irritación o quemaduras.

6) MANTENIMIENTO

- a) **Lleve su herramienta eléctrica para que sea reparada por una persona cualificada que use solamente piezas de recambio idénticas.** Esto garantizará la seguridad de la herramienta eléctrica.

Instrucciones de seguridad adicionales y específicas sobre la cortadora de varillas roscadas

- **Esta cortadora de varillas roscadas tiene como fin cortar los siguientes materiales y tamaños de varillas roscadas: Acero blando (1/4-20, 3/8-16, 1/2-13), Acero inoxidable (1/4-20, 3/8-16) y Acero templado grado 8 (1/4-20, 3/8-16).**

- **Las matrices incluidas solo se utilizan para los materiales y tamaños especificados en el cuadro Aplicaciones de la sección Uso previsto.**
- **Sostenga la herramienta eléctrica por las superficies de agarre aisladas toda vez que realice una operación en la que el accesorio de corte pueda entrar en contacto con cables ocultos.** El contacto de los accesorios de corte con un cable cargado puede cargar las partes metálicas expuestas de la herramienta eléctrica y producir una descarga eléctrica al operador.
- **Revise la herramienta y las matrices de corte antes de usarlas.** Reemplace toda pieza que esté desgastada o dañada. Una herramienta dañada o incorrectamente ensamblada puede romperse y golpear al operador o al personal que esté cerca.
- **NUNCA coloque ninguna parte de su cuerpo cerca de las cortadoras.** Un momento de falta de atención cuando se usan las herramientas eléctricas puede ocasionar lesiones graves.
- **SIEMPRE utilice guantes al manipular las varillas roscadas.** Los extremos y roscas pueden ser filosos y generarle graves lesiones.
- **Asegure con firmeza la pieza de metal que cortará** para evitar moverla durante el corte.
- **Siempre utilice zapatos de seguridad** para proteger sus pies contra los desechos de metal filosos en el suelo.
- **Mantenga ajustados todos los tornillos.** Corrobore periódicamente que no se hayan aflojado.
- **No coloque nada en las aberturas del alojamiento del motor.**
- **Manténgase alejado de las piezas finales que puedan caer luego de la operación de corte.** Pueden estar calientes, o ser filosas o pesadas.
- **Con frecuencia, las piezas móviles están cubiertas por ventilaciones que deben ser evitadas.** La ropa holgada, las

joyas o el cabello largo se pueden enganchar en las piezas en movimiento.

▲ADVERTENCIA: SIEMPRE use gafas de seguridad. Las gafas de uso diario NO son gafas de seguridad. Use también una máscara para el rostro o para protegerse del polvo si la operación es polvorienta. SIEMPRE USE EQUIPO DE SEGURIDAD CERTIFICADO:

- Protección ocular ANSI Z87.1 (CAN/CSA Z94.3),
- Protección auditiva ANSI S12.6 (S3.19),
- Protección respiratoria NIOSH/OSHA/MSHA.

▲ADVERTENCIA: Cierta tipo de polvo creado por lijadoras, sierras, amoladoras y taladros eléctricos, y por otras actividades de construcción, contiene productos químicos que, de acuerdo con el estado de California, causan cáncer, defectos de nacimiento u otros daños reproductivos. Algunos ejemplos de estos productos químicos son:

- plomo de pinturas con base de plomo,
- silicio cristalino de ladrillos, cemento y otros productos de albañilería, y
- arsénico y cromo de la leña con tratamiento químico.

Su riesgo ante estas exposiciones varía de acuerdo con la frecuencia en que realice este tipo de trabajo. Para reducir su exposición a estos productos químicos: trabaje en un área bien ventilada, y trabaje con equipos de seguridad aprobados, como máscaras para polvo especialmente diseñadas para filtrar partículas microscópicas.

- **Evite el contacto prolongado con el polvo generado por la lijadora, la sierra, la amoladora, el taladro eléctrico y otras actividades en la construcción. Use indumentaria de protección y lave las áreas expuestas con agua y jabón.** Permitir que el polvo ingrese en la boca o los ojos, o que quede sobre la piel puede promover la absorción de productos químicos dañinos.

⚠ADVERTENCIA: El uso de esta herramienta puede generar o dispersar polvo, lo que puede causar lesiones respiratorias serias y permanentes, así como otro tipo de lesiones. Siempre use protección respiratoria aprobada por NIOSH/OSHA apropiada para la exposición al polvo. Dirija las partículas alejadas del rostro y el cuerpo.

⚠ADVERTENCIA: Siempre use protección auditiva personal apropiada conforme a ANSI S12.6 (S3.19) durante el uso. En ciertas condiciones y duraciones de uso, el ruido de este producto puede contribuir a la pérdida de la audición.

⚠PRECAUCIÓN: Cuando no la use, coloque la herramienta sobre su lateral en una superficie estable donde no se encienda automáticamente ni represente un riesgo por caída. Algunas herramientas con paquetes de baterías grandes se sostienen verticalmente sobre dichos paquetes, pero pueden voltearse fácilmente.

- La etiqueta de su herramienta puede incluir los siguientes símbolos.

A continuación se indican los símbolos y sus definiciones:

V.....voltios	A..... amperios
Hz.....hertz	W..... vatios
minminutos	~ o AC..... corriente alterna
—=— o DC....corriente directa	⎓ o AC/DC.. corriente alterna o directa
Ⓛ.....Construcción de Clase I (tierra)	n velocidad nominal
Ⓜ.....Construcción de Clase II (doble aislamiento)	n _o velocidad sin carga
.../minpor minuto	⊕ terminal de conexión a tierra
IPMimpactos por minuto	
sfpnpies de superficie por minuto	

RPM.....revoluciones por minuto	⚠..... símbolo de advertencia
BPM.....golpes por minuto	⚠..... símbolo de seguridad
SPMpasadas por minuto	⚠..... radiación visible

Instrucciones de seguridad importantes para todos los paquetes de baterías

Cuando solicite paquetes de baterías de repuesto, asegúrese de incluir el número de catálogo y el voltaje. Consulte el cuadro al final del manual para ver la compatibilidad de los cargadores y paquetes de baterías.

Cuando lo saque de su caja, el paquete de baterías no estará completamente cargado. Antes de usar el paquete de baterías y el cargador, lea las instrucciones de seguridad siguientes y, luego, siga los procedimientos de carga detallados.

LEER TODAS LAS INSTRUCCIONES

- **No recargue ni use el paquete de baterías en atmósferas explosivas, tales como aquellas en las que haya líquidos, gases o polvo inflamables.** Si inserta o extrae el paquete de baterías del cargador, puede combustionar el polvo o los humos.
- **NUNCA fuerce el paquete de baterías para meterlo en el cargador. NO modifique el paquete de baterías de ninguna forma para que encaje en un cargador no compatible, dado que el paquete de baterías puede romperse y causar lesiones graves.** Consulte el cuadro al final del manual para ver la compatibilidad de las baterías y los cargadores.
- Recargue los paquetes de baterías únicamente con los cargadores DEWALT designados.
- **NO salpique con agua ni sumerja en ella o en otros líquidos.**

- **No almacene ni use la herramienta y el paquete de baterías en ubicaciones donde la temperatura pueda alcanzar o superar los 105 °F (40 °C) (tales como cobertizos o construcciones de metal en verano).** Para obtener una mayor vida útil de los paquetes de baterías, almacénelos en una ubicación seca y fresca.

NOTA: No almacene los paquetes de baterías en una herramienta con el interruptor de gatillo activado. Nunca enciente el interruptor de gatillo en la posición de encendido.

▲ADVERTENCIA: Riesgo de incendio. Nunca intente abrir el paquete de baterías por ningún motivo. Si la carcasa del paquete de baterías está quebrada o dañada, no la inserte en el cargador. No aplaste el paquete de baterías, ni lo dañe o deje caer al suelo. No utilice un paquete de baterías o cargador que haya recibido un golpe fuerte, que se haya caído, al que le haya pasado por encima un vehículo o que se haya dañado de otra manera (por ej., que haya sido perforado con un clavo, golpeado con un martillo o aplastado con los pies). Los paquetes de baterías dañados deben ser devueltos al centro técnico para su reciclaje.

▲ADVERTENCIA: Riesgo de incendio. No almacene ni transporte el paquete de baterías de un modo en que los objetos de metal puedan entrar en contacto con los terminales expuestos de las baterías. Por ejemplo, no coloque el paquete de baterías en delantales, bolsillos, cajas de herramientas, cajas de kit de producto, cajones, etc., con clavos, tornillos, llaves sueltas, etc. **El transporte de las baterías puede generar posibles incendios si los terminales de la batería entran en contacto de forma inadvertida con materiales conductivos, tales como llaves, monedas, herramientas de mano y similares.** En las Regulaciones de materiales peligrosos (HMR, por su sigla en inglés) del Departamento de Transporte de los EE. UU. se prohíbe el transporte de baterías en transportes comerciales o en aviones (por ej., empaquetadas en valijas y equipaje de mano) SALVO QUE estén

correctamente protegidas contra cortocircuitos. Por lo tanto, cuando transporte paquetes de baterías individuales, asegúrese de que los terminales de las baterías estén protegidos y bien aislados de los materiales que podrían tocarlos y generar un cortocircuito.

INSTRUCCIONES DE SEGURIDAD ESPECÍFICAS PARA LOS IONES DE LITIO (Li-Ion)

- **No incinere el paquete de baterías, incluso si estuviera muy dañado o completamente deteriorado.** El paquete de baterías puede explotar en un incendio. Se generan humos y materiales tóxicos cuando se queman paquetes de baterías de iones de litio.
- **Si el contenido de la batería entra en contacto con la piel, lave de inmediato el área con jabón neutro y agua.** Si el líquido de la batería le entra en el ojo, enjuáguese con agua por encima del ojo abierto durante 15 minutos o hasta que cese la irritación. Si requiere atención médica, el electrolito de la batería está compuesto de una mezcla de carbonatos líquidos orgánicos y sales de litio.
- **El contenido de las celdas abiertas de la batería puede causar irritación en las vías respiratorias.** Busque aire fresco. Si los síntomas continúan, busque ayuda médica.

▲ADVERTENCIA: Riesgo de quemadura. El líquido de la batería puede ser inflamable si se lo expone a una chispa o llama.

El sello RBRC™

El sello RBRC™ (Compañía de reciclado de baterías recargables) en las baterías (o paquetes de baterías) de níquel cadmio, hidruro de metal de níquel o iones de litio indica que los gastos de reciclaje de estas baterías (o paquetes de baterías) que se deben afrontar al final



de su vida útil ya han sido pagados por DEWALT. En algunas áreas, es ilegal colocar baterías gastadas de níquel cadmio, hidruro de metal de níquel o iones de litio en la basura o el circuito de desechos sólidos municipales, y el programa de la RBRC ofrece una alternativa respetuosa con el medioambiente.

RBRC™, en cooperación con DEWALT y otros usuarios de baterías, ha establecido programas en los Estados Unidos y Canadá para facilitar la recolección de baterías gastadas de níquel cadmio, hidruro de metal de níquel o iones de litio. Ayude a proteger nuestro medioambiente y preservar los recursos naturales llevando dichas baterías a un centro técnico DEWALT autorizado o a su vendedor minorista local para que las reciclen. También puede contactar a su centro de reciclaje local para obtener información sobre el lugar de recolección de baterías gastadas.

RBRC™ es una marca comercial registrada de la compañía Rechargeable Battery Recycling Corporation.

Instrucciones de seguridad importantes para todos los cargadores de baterías

CONSERVE ESTAS INSTRUCCIONES: *Este manual contiene importantes instrucciones de funcionamiento y seguridad para cargadores de baterías.*

- *Antes de usar el cargador, lea todas las instrucciones y marcas de precaución en el cargador, el paquete de baterías y el producto que use el paquete de baterías.*

⚠ADVERTENCIA: *Riesgo de descarga. No permita que ingrese líquido en el cargador. Puede producirse una descarga eléctrica.*

⚠PRECAUCIÓN: *Riesgo de quemadura. A fin de disminuir el riesgo de lesiones, recargue solo los paquetes de baterías recargables DEWALT. Otros tipos de baterías pueden recalentarse y explotar, lo que derivará en lesiones y daños materiales.*

AVISO: *En ciertas condiciones, con el cargador enchufado en la fuente de alimentación, el cargador puede cortocircuitarse por materiales extraños. Los materiales extraños de naturaleza conductiva, tales como, entre otros, polvo de amolado, virutas de metal, lana de acero, papel aluminio o cualquier otra acumulación de partículas metálicas, deben mantenerse alejados de las cavidades del cargador. Siempre desenchufe el cargador de la fuente de alimentación cuando no haya un paquete de baterías en la cavidad. Desenchufe el cargador antes de intentar limpiarlo.*

- **NO intente cargar el paquete de baterías con otros cargadores diferentes de los incluidos en este manual.** *El cargador y el paquete de baterías tienen un diseño específico de trabajo en conjunto.*
- **Estos cargadores no están diseñados para usos diferentes a cargar baterías recargables DEWALT.** *Cualquier otro uso puede resultar en un riesgo de incendio, descarga eléctrica o electrocución.*
- **No exponga el cargador a la lluvia o la nieve.**
- **Tire del enchufe, no del cable, cuando desconecte el cargador.** *Esto disminuirá el riesgo de daños en el enchufe y el cable eléctricos.*
- **Asegúrese de saber dónde se encuentra el cable para no pararse encima, tropezarse con él o someterlo de otra manera a daños o tensión.**
- **No utilice un cable de extensión salvo que sea absolutamente necesario.** *El uso de un cable de extensión inadecuado podría resultar en un riesgo de incendio, descarga eléctrica o electrocución.*
- **Al utilizar el cargador en exteriores, siempre proporcione una ubicación seca y utilice un cable de extensión adecuado para uso en exteriores.** *La utilización de un cable adecuado para el uso en exteriores reduce el riesgo de descarga eléctrica.*

- **Un cable de extensión debe tener un tamaño de cable adecuado (AWG o Calibre estadounidense de cable) para mayor seguridad.** Mientras más pequeño sea el número de calibre del cable, mayor la capacidad del cable, es decir, el calibre 16 tiene más capacidad que el calibre 18. Un cable de menor tamaño al requerido causará una caída en el voltaje de línea, lo que generará una pérdida de potencia y un sobrecalentamiento. Al usar más de un cable de extensión para formar la longitud total, asegúrese de que cada cable de extensión individual contenga, al menos, el tamaño de cable mínimo. En el siguiente cuadro se muestra el tamaño correcto de uso según la longitud del cable y las características nominales de amperaje en la placa de identificación. En caso de duda, utilice el siguiente calibre más pesado. Mientras menor sea el número de calibre, más pesado será el cable.

Calibre mínimo de conjuntos de cables						
Amperaje nominal		Voltios	Longitud total del cable en pies (metros)			
			120 V	25 (7.6)	50 (15.2)	100 (30.5)
Más de	No más de	AWG				
0	6		18	16	16	14
6	10		18	16	14	12
10	12		16	16	14	12
12	16		14	12	No recomendado	

- **No coloque ningún objeto encima del cargador ni coloque a este último en una superficie blanda que pueda bloquear las ranuras de ventilación y generar un excesivo recalentamiento interno.** Coloque el cargador en una posición alejada de cualquier fuente de calor. El cargador tiene ventilación a través de las ranuras en las partes superior e inferior del alojamiento.

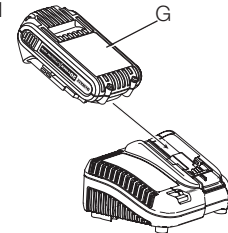
- **No utilice el cargador con el cable o enchufe dañados.**
- **No utilice el cargador si ha recibido un golpe fuerte, se ha caído o se ha dañado de otra manera.** Llévelo a un centro técnico autorizado.
- **No desensamble el cargador.** Llévelo a un centro técnico autorizado cuando necesite un servicio de mantenimiento o reparación. El reensamblaje incorrecto puede resultar en un riesgo de descarga eléctrica, electrocución o incendio.
- **Desconecte el cargador del tomacorriente antes de intentar limpiarlo.** Esto disminuirá el riesgo de descarga eléctrica. Extraer el paquete de baterías no disminuirá este riesgo.
- **NUNCA** intente conectar 2 cargadores juntos.
- **El cargador está diseñado para funcionar con alimentación eléctrica estándar de 120 V para hogares. No intente usarlo con otro voltaje.** Esto no se aplica al cargador vehicular.

Cargador

Consulte los indicadores a continuación relativos al estado de carga de la batería. Consulte la tabla al final de este manual para ver la compatibilidad entre cargadores y unidades de batería.

Carga de una batería (Fig. 1)

1. Enchufe el cargador en una toma de corriente apropiada antes de introducir la batería.
2. Inserte la batería (C) en el cargador, comprobando esté bien fija. La luz roja (de carga) parpadeará continuamente para indicar que se ha iniciado el proceso de carga.
3. La luz roja se quedará ENCENDIDA continuamente cuando se haya completado el proceso de carga. La batería estará entonces













completamente cargada y podrá ser utilizada de inmediato o dejarse en el cargador. Para sacar la batería del cargador, presione el botón de liberación (M) de la batería.

NOTA: Para asegurar el máximo rendimiento y vida útil de las baterías de iones de litio, cargue la batería completamente antes de usarla por primera vez.

Funcionamiento del cargador

Consulte los indicadores a continuación relativos al estado de carga de la batería.

Indicadores de Carga: DCB101		
	Unidad en Proceso de Carga	— — — —
	Unidad Cargada	————
	Retraso por Unidad Caliente/Frío	— • — • — •
	Problema con la Batería o el Cargador	• • • • • • • •
Indicadores de Carga: DCB107, DCB112, DCB113, DCB115, DCB118		
	Unidad en Proceso de Carga	— — — — 
	Unidad Cargada	———— 
	Retraso por Unidad Caliente/Frío*	— — — ————— 

* **DCB107, DCB112, DCB113, DCB115, DCB118:** La luz roja continuará parpadeando, pero una luz indicadora amarilla estará iluminada durante esta operación. Una vez que la batería haya llegado a una temperatura apropiada, la luz amarilla se apagará y el cargador continuará con el procedimiento de carga.

El cargador no cargará una batería defectuosa. El cargador indicará que la unidad de batería es defectuosa al no iluminarse o al indicar que existe un problema con la unidad o el cargador.

NOTA: Esto también puede significar que hay un problema con el cargador.

Si el cargador indica un problema, lleve el cargador y la batería a un centro de servicio autorizado para que sean sometidos a pruebas.

RETRASO POR BATERÍA CALIENTE/FRÍA

Cuando el cargador detecta que una batería está demasiado caliente o demasiado fría, inicia automáticamente un Retraso por batería caliente/fría y suspende la carga hasta que la batería alcanza una temperatura adecuada. En ese momento, el cargador inicia automáticamente el modo de carga de la batería. Esta función garantiza la máxima duración de la batería.

Una batería fría se carga más lentamente que una batería caliente. La batería se cargará a ese ritmo más lento durante todo el ciclo de carga y no volverá a cargarse a la velocidad de carga máxima incluso si la batería se calienta.

El cargador DCB118 está equipado con un ventilador interno diseñado para enfriar la batería. El ventilador se encenderá automáticamente cuando la batería tenga que enfriarse.

No opere nunca el cargador si el ventilador no funciona adecuadamente o si las ranuras de ventilación están obstruidas. No permita que entren objetos extraños dentro del cargador.

SÓLO BATERÍAS DE IONES DE LITIO

Las herramientas con baterías de iones de litio están diseñadas con un Sistema de protección electrónico que protegerá la batería contra la sobrecarga, el sobrecalentamiento o la descarga completa.

La herramienta se apagará automáticamente si el Sistema de protección electrónico se activa. Si esto ocurre, coloque la batería de iones de litio en el cargador hasta que esté totalmente cargada.

Montaje en la pared

DCB107, DCB112, DCB113, DCB115, DCB118:

Estos cargadores están diseñados para montarse en la pared o colocarse en posición vertical sobre una mesa o superficie de trabajo. Si lo monta en la pared, coloque el cargador al alcance de una toma de corriente eléctrica y alejado de las esquinas u otras obstrucciones que puedan impedir el flujo de aire. Utilice la parte de atrás del cargador como plantilla para la ubicación de los tornillos de montaje en la pared. Monte el cargador firmemente utilizando tornillos para muro seco (comprados por separado) de un mínimo de 25,4 mm (1") de largo, con una cabeza de un diámetro de 7-9 mm (0,28-0,35"), atornillados en madera hasta una profundidad óptima dejando el tornillo expuesto aproximadamente 5,5 mm (7/32"). Alinee las ranuras en la parte trasera del cargador con los tornillos expuestos e introdúzcalos totalmente en las ranuras.

Instrucciones de limpieza del cargador

⚠ADVERTENCIA: *Riesgo de descarga eléctrica. Desconecte el cargador del tomacorriente de CA antes de limpiarlo. Para limpiar la suciedad y grasa del exterior del cargador puede usarse un paño o cepillo suave no metálico. No use agua ni soluciones limpiadoras.*

Notas importantes sobre la carga

1. Se puede obtener una mayor duración y un mejor rendimiento si la unidad de batería se carga a una temperatura ambiente de 18–24 °C (65–75 °F). NO cargue la unidad de batería a una temperatura ambiental inferior a +4.5 °C (+40 °F) o superior a +40 °C (+104 °F). Esto es importante y evitará causar daños graves a la batería.
2. Puede que el cargador y la unidad de batería se calienten ligeramente durante el proceso de carga. Esto es normal y no representa ningún problema. Para facilitar el enfriamiento de la unidad de batería después del uso, evite colocar el cargador

o la unidad de batería en un lugar cálido, como un cobertizo metálico o un remolque sin aislamiento térmico.

3. Si la unidad de batería no se carga correctamente:
 - a. Verifique el funcionamiento de la toma enchufando una lámpara u otro aparato;
 - b. Revise que la toma de corriente no esté conectada a un interruptor de luz que corte la corriente cuando se corte la luz;
 - c. Mueva el cargador y la unidad de batería a un lugar donde la temperatura ambiental sea aproximadamente 18–24 °C (65–75 °F);
 - d. Si el problema de carga continúa, lleve la herramienta, unidad de batería y el cargador a su centro de servicio local.
4. La unidad de batería debería ser recargada cuando no sea capaz de producir suficiente potencia para trabajos que eran fácilmente realizados antes. NO CONTINÚE usándola bajo estas circunstancias. Siga el procedimiento de carga. También puede cargar una unidad de batería que haya sido usada parcialmente cuando lo desee, sin dañarla.
5. Los materiales ajenos conductores por naturaleza, tales como, pero sin limitarse a, el polvo del esmerilado, las virutas metálicas, la lana de acero, el papel de aluminio o cualquier acumulación de partículas metálicas deberían mantenerse alejados de las cavidades del cargador. Desenchufe siempre el cargador de la toma de corriente cuando no haya una unidad de batería en su cavidad. Desenchufe el cargador antes de intentar limpiarlo.
6. No congele ni sumerja el cargador en agua o cualquier otro líquido.

⚠ADVERTENCIA: *Peligro de descarga eléctrica. No permita que ningún líquido se introduzca en el cargador. Puede producir descargas eléctricas.*

⚠ADVERTENCIA: Peligro de quemaduras. No sumerja la unidad de batería en líquido de ningún tipo ni permita que se introduzca ningún tipo de líquido a la unidad de batería. Nunca intente abrir la unidad de batería por ningún motivo. Si la caja plástica de la unidad de batería se triza o rompe, llévela a un centro de servicio para su reciclaje

Recomendaciones de almacenamiento

1. El mejor lugar de almacenamiento es uno que sea fresco y seco, lejos de la luz solar directa y del exceso de calor o frío.
2. Para resultados óptimos durante tiempos prolongados de almacenamiento, se recomienda almacenar la unidad de batería completamente cargada en un lugar fresco y seco fuera del cargador.

NOTA: Las unidades de batería no deberían almacenarse completamente descargadas. La unidad de batería deberá recargarse antes de ser usada.

GUARDE ESTAS INSTRUCCIONES PARA VOLVER A CONSULTAR EN EL FUTURO

Uso previsto

Esta cortadora de varillas roscadas para servicio pesado está diseñada para su uso en aplicaciones profesionales.

NO use en condiciones húmedas ni en presencia de líquidos o gases inflamables.

NO use para cortar pernos cónicos, roscas de diferentes tamaños o varillas reforzadas.

APLICACIONES RECOMENDADAS		
	Tamaño de varilla	Rosca por pulgada
Acero blando	1/4"	20
	3/8"	16
	1/2"	13
Acero inoxidable	1/4"	20
	3/8"	16
Acero endurecido grado 8	1/4"	20
	3/8"	16

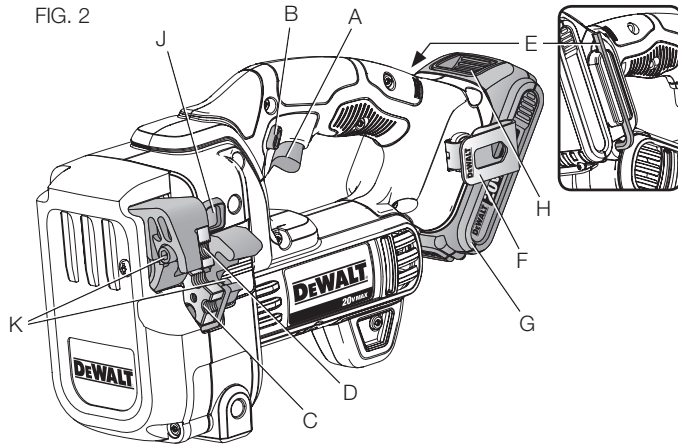
Esta es una herramienta eléctrica profesional. **NO** permita que los niños entren en contacto con la herramienta. Se requiere supervisión cuando operadores sin experiencia usan esta herramienta.

COMPONENTES (Fig. 2)

⚠ADVERTENCIA: Nunca modifique la herramienta eléctrica ni ninguna parte de ella. Podrían producirse daños o lesiones.

- A. Interruptor de gatillo
- B. Botón de reinicio/bloqueo
- C. Matriz de corte fija
- D. Matriz de corte móvil
- E. Llave hexagonal
- F. Gancho de suspensión
- G. Paquete de baterías
- H. Botón de liberación de batería
- J. Luz LED de trabajo
- K. Tornillos de casquillo de la matriz de corte

FIG. 2



AJUSTE

⚠ADVERTENCIA: Para reducir el riesgo de lesiones graves, apague la herramienta y extraiga el paquete de baterías antes de realizar ajustes o extraer/instalar los aditamentos o accesorios. Un arranque accidental puede ocasionar lesiones.

Extracción, cambio o reemplazo de las matrices de corte (Fig. 2, 3)

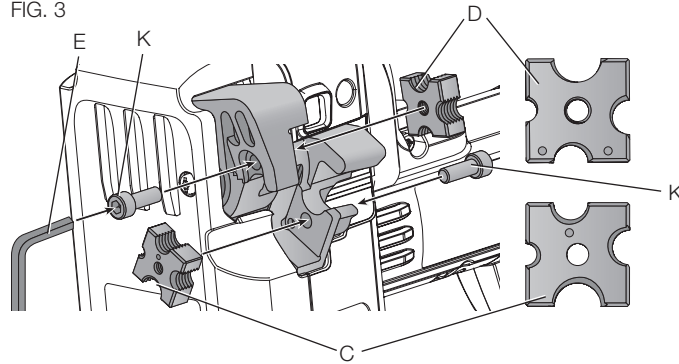
⚠ADVERTENCIA: Nunca intente reparar una matriz de corte desgastada o dañada. Esto podría debilitar la matriz y resultar en lesiones graves. Deseche el juego completo y reemplácelo con uno nuevo.

La herramienta viene equipada con una matriz de corte fija (C) y una móvil (D). Cada matriz de corte está fabricada con tres tamaños de corte de rosca diferentes. La orientación de la matriz de corte es fundamental al cambiar o reemplazar las matrices de corte.

1. Afloje ambos tornillos de casquillo de la matriz de corte (K) en sentido antihorario con la llave hexagonal (E) provista.
 2. Si el tamaño de corte de rosca deseado está demasiado desgastado, reemplácelo con el nuevo juego de matrices de corte.
 3. Posicione las matrices de corte de modo que tanto la matriz de corte fija como la móvil queden alineadas con el mismo tamaño de rosca.
- NOTA:** Asegúrese de que los puntos en las matrices de corte queden enfrentados entre sí y apoyados contra las dos superficies perpendiculares de las pinzas de la matriz de corte (C) fija y de la matriz de corte móvil (D) antes de ajustarlas.
4. Ajuste los tornillos de casquillo de la matriz de corte (K) en sentido horario con la llave hexagonal (E).
 5. Instale una batería y haga funcionar la herramienta para garantizar que su ensamblaje y alineación sean correctos antes de realizar un corte.

⚠PRECAUCIÓN: Si se pierden o dañan los tornillos de casquillo de la matriz de corte o la llave hexagonal, reemplácelos con piezas de repuesto idénticas. Las piezas de repuesto recomendadas para usar con su herramienta están disponibles a un costo adicional con su distribuidor local o centro técnico autorizado. Siempre use piezas de repuesto idénticas.

FIG. 3



FUNCIONAMIENTO

⚠️ADVERTENCIA: Para reducir el riesgo de lesiones graves, apague la herramienta y extraiga el paquete de baterías antes de realizar ajustes o extraer/instalar los aditamentos o accesorios. Un arranque accidental puede ocasionar lesiones.

⚠️ADVERTENCIA: Riesgo de corte. **NUNCA** coloque ninguna parte de su cuerpo cerca de las cortadoras. Pueden producirse lesiones graves.

⚠️ADVERTENCIA: Riesgo de corte. Para disminuir el riesgo de lesiones graves, **NO** use la cortadora de varillas roscadas con ninguna clase de accesorio o aditamento diferente de los recomendados por DEWALT.

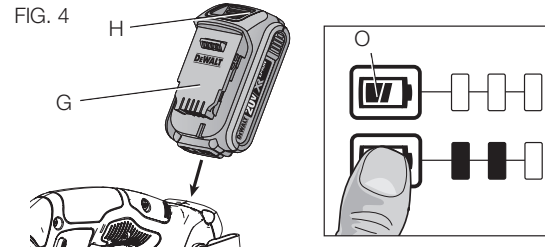
⚠️ADVERTENCIA: Riesgo de corte. Use guantes al manipular la varilla roscada. Los extremos y roscas pueden ser filosos y generarle graves lesiones.

Instalación y extracción del paquete de baterías (Fig. 4)

NOTA: Para obtener mejores resultados, asegúrese de que el paquete de baterías esté totalmente cargado.

Para instalar el paquete de baterías (G) en el mango de la herramienta, alinee el paquete de baterías con los rieles dentro del mango de la herramienta y deslícelo hacia el interior del mango hasta que el paquete quede asentado con firmeza en la herramienta. Asegúrese de que no se desenganche.

Para extraer el paquete de baterías de la herramienta, presione el botón de liberación (H) y tire con firmeza del paquete hacia afuera del mango de la herramienta. Insértelo en el cargador, como se describe en la sección de Cargador de este manual.



PAQUETES DE BATERÍAS CON MEDIDOR DE CARGA (FIG. 4)

Algunos paquetes de baterías DEWALT incluyen un medidor de carga, el cual consiste en tres luces LED verdes que indican el nivel de carga remanente en el paquete de baterías.

Para accionar el medidor de carga, presione y mantenga presionado el botón del medidor (O). Se iluminará un conjunto de tres luces LED verdes que designan el nivel de carga restante. Cuando el nivel de carga en la batería sea inferior al límite utilizable, el medidor de carga no se iluminará y la batería deberá recargarse.

NOTA: El medidor de carga es solo un indicador de la carga restante en el paquete de baterías. No indica la funcionalidad de la herramienta y está sujeto a variaciones según los componentes del producto, la temperatura y la aplicación del usuario final.

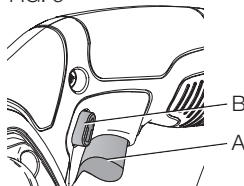
Para obtener más información sobre los paquetes de baterías con medidores de carga, comuníquese al 1-800-4-DEWALT (1-800-433-9258) o visite nuestro sitio web www.dewalt.com.

Interruptor de gatillo (Fig. 5)

⚠ADVERTENCIA: Esta herramienta no viene con función de bloqueo del interruptor de gatillo en la posición de encendido y nunca debe bloquearse en este modo de ninguna forma.

Para encender la herramienta, oprima el interruptor de gatillo (A). Para apagar la herramienta, libere el gatillo.

FIG. 5



Botón de reinicio/bloqueo (Fig. 5)



El botón de reinicio/bloqueo accionado por resorte (B) establece la dirección de la herramienta y también funciona como botón de bloqueo.

Para seleccionar un funcionamiento de corte normal, libere el interruptor de gatillo y oprima el botón de reinicio/bloqueo en el lateral derecho de la herramienta.

La posición central del botón bloquea la herramienta en la posición de apagado. Al cambiar la posición del botón de reinicio/bloqueo, asegúrese de que el gatillo quede liberado.

Para seleccionar reinicio, oprima y mantenga oprimido el botón de reinicio/bloqueo en el lateral izquierdo de la herramienta.

AVISO: Es posible que la cortadora de varillas se detenga durante un corte, ya sea porque la batería se descargó o porque el material de corte es demasiado duro o grande.

Si la unidad se detuviera durante el corte por cualquier motivo, presione y mantenga presionado el botón de reinicio/bloqueo con accionamiento por resorte (B) en la posición de reinicio (lateral izquierdo) y tire del interruptor de gatillo (A) para abrir las pinzas de la cortadora y extraer el material.

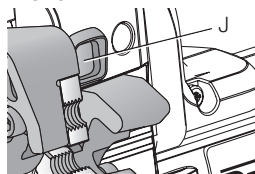
AVISO: No intente cortar en la dirección de reinicio. Podrían producirse daños en la herramienta.

Luz LED de trabajo (Fig. 6)

⚠PRECAUCIÓN: No fije la vista en la luz de trabajo. Podrían producirse lesiones oculares graves.

Hay una luz de trabajo (J) ubicada por encima del área de corte de la herramienta. La luz de trabajo se activa cuando el interruptor de gatillo es oprimido y se apagará automáticamente 20 segundos después de liberar el interruptor de gatillo.

FIG. 6



Si el interruptor de gatillo permanece oprimido, la luz de trabajo permanecerá encendida.

NOTA: La luz de trabajo está diseñada para iluminar la superficie de trabajo inmediata, no para su uso como linterna.

Gancho de suspensión (Fig. 2)

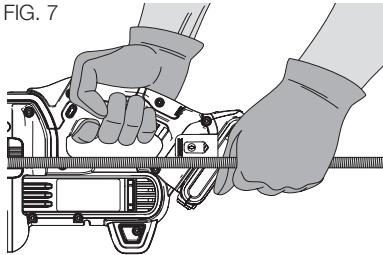
⚠ADVERTENCIA: Para disminuir el riesgo de lesiones causadas por la caída de la cortadora de varillas roscadas a los operadores o personas que estén cerca, asegúrese de que la herramienta tenga un soporte firme al usar el gancho de suspensión o que esté apoyada en una ubicación estable y segura cuando no esté en uso. Asegúrese de mantener el área despejada para disminuir el riesgo de que la herramienta o el material de corte se caigan y golpeen a alguien o a algo que esté debajo.

La cortadora de varillas roscadas viene con un conveniente gancho de suspensión (F) que permite colgarla en una estructura estable y adecuada entre usos. Este gancho no tiene como fin amarrar o asegurar la herramienta a una persona u objeto durante su uso cuando está elevada.

Posición correcta de las manos (Fig. 7)

⚠ADVERTENCIA: Para disminuir el riesgo de lesiones graves, SIEMPRE posiciones correctamente las manos, como se muestra.

FIG. 7



Corte (Fig. 8)

⚠ADVERTENCIA: Riesgo de corte. Use guantes y protección ocular al manipular y cortar las varillas roscadas. Los bordes son filosos y pueden causar lesiones graves.

⚠PRECAUCIÓN: El largo de corte de la varilla roscada debe ser de 1/4" (6 mm) como mínimo.

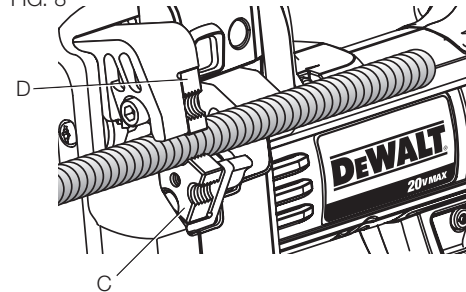
Para lograr un trabajo preciso, siempre asegure la pieza de trabajo antes de cortarla.

AVISO: Antes de cortar, asegúrese de que se haya colocado el tamaño de matriz correcto para el tamaño deseado de la varilla.

1. Posicione la varilla roscada de modo que el material esté entre la matriz de corte fija (C) y la matriz de corte móvil (D).
2. Alinee la varilla roscada con las matrices de corte.
3. Oprima el gatillo hasta que la pieza de trabajo esté completamente cortada.
4. Libere el gatillo cuando la cortadora haya llegado a la posición abierta.

Cuando corte por encima de la cabeza, siempre corrobore que la pieza de trabajo esté asegurada antes de cortar y que se disponga del exceso de varilla en forma segura.

FIG. 8



MANTENIMIENTO

⚠ADVERTENCIA: Para reducir el riesgo de lesiones graves, apague la herramienta y extraiga el paquete de baterías antes de realizar ajustes o extraer/instalar los aditamentos o accesorios. Un arranque accidental puede ocasionar lesiones.

Limpieza

⚠ADVERTENCIA: Sople la suciedad y el polvo de todos los conductos de ventilación con aire seco, al menos una vez por semana. Para reducir el riesgo de lesiones, utilice siempre protección para los ojos aprobada ANSI Z87.1 al realizar esta tarea.

⚠ADVERTENCIA: Nunca utilice solventes ni otros químicos abrasivos para limpiar las piezas no metálicas de la herramienta. Estos productos químicos pueden debilitar los materiales plásticos utilizados en estas piezas. Utilice un paño humedecido sólo con agua y jabón neutro. Nunca permita que penetre líquido dentro de la herramienta ni sumerja ninguna de las piezas en un líquido.

INSTRUCCIONES DE LIMPIEZA DEL CARGADOR

⚠ADVERTENCIA: Riesgo de descarga eléctrica. Desconecte el cargador del tomacorriente de CA antes de limpiarlo. Se puede usar un paño o un cepillo suave, que no sea metálico, para quitar la suciedad y la grasa de la parte externa del cargador. No use agua ni cualquier otra solución de limpieza.

Accesorios

⚠ADVERTENCIA: Debido a que no se han probado con este producto otros accesorios que no sean los que ofrece DEWALT., el uso de dichos accesorios con esta herramienta podría ser peligroso. Para reducir el riesgo de lesiones, con este producto deben usarse sólo los accesorios recomendados por DEWALT.

Los accesorios que se recomiendan para utilizar con la herramienta están disponibles a un costo adicional en su distribuidor local o

en un centro de mantenimiento autorizado. Si necesita ayuda para localizar algún accesorio, póngase en contacto con DEWALT Industrial Tool Co., 701 East Joppa Road, Baltimore, MD 21286, llame al 1-800-4-DEWALT (1-800-433-9258) o visite nuestro sitio web: www.dewalt.com.

Reparaciones

El cargador y las unidades de batería no pueden ser reparados. Para asegurar la SEGURIDAD y la CONFIABILIDAD del producto, las reparaciones, el mantenimiento y los ajustes deben (inclusive inspección y cambio de carbones) ser realizados en un centro de mantenimiento en la fábrica DEWALT, en un centro de mantenimiento autorizado DEWALT u por otro personal de mantenimiento calificado. Utilice siempre piezas de repuesto idénticas.

PARA REPARACIÓN Y SERVICIO DE SUS HERRAMIENTAS ELÉCTRICAS, FAVOR DE DIRIGIRSE AL CENTRO DE SERVICIO MÁS CERCANO

CULIACAN, SIN

Bldv.Emiliano Zapata 5400-1 Poniente
Col. San Rafael (667) 717 89 99

GUADALAJARA, JAL

Av. La Paz #1779 - Col. Americana Sector Juárez (33) 3825 6978

MEXICO, D.F.

Eje Central Lázaro Cárdenas No. 18
Local D, Col. Obrera (55) 5588 9377

MERIDA, YUC

Calle 63 #459-A - Col. Centro (999) 928 5038

MONTERREY, N.L.

Av. Francisco I. Madero 831 Poniente - Col. Centro (818) 375 23 13

PUEBLA, PUE

17 Norte #205 - Col. Centro (222) 246 3714

QUERETARO, QRO

Av. San Roque 274 - Col. San Gregorio (442) 2 17 63 14

SAN LUIS POTOSI, SLP

Av. Universidad 1525 - Col. San Luis (444) 814 2383

TORREON, COAH

Blvd. Independencia, 96 Pte. - Col. Centro (871) 716 5265

VERACRUZ, VER

Prolongación Díaz Mirón #4280 - Col. Remes (229) 921 7016

VILLAHERMOSA, TAB

Constitución 516-A - Col. Centro (993) 312 5111

PARA OTRAS LOCALIDADES:**Si se encuentra en México, por favor llame al (55) 5326 7100****Si se encuentra en U.S., por favor llame al****1-800-433-9258 (1-800 4-DEWALT)*****Póliza de Garantía***

IDENTIFICACIÓN DEL PRODUCTO:

Sello o firma del Distribuidor.

Nombre del producto: _____ Mod./Cat.: _____

Marca: _____ Núm. de serie: _____

(Datos para ser llenados por el distribuidor)

Fecha de compra y/o entrega del producto: _____

Nombre y domicilio del distribuidor donde se adquirió el producto: _____

Este producto está garantizado por un año a partir de la fecha de entrega, contra cualquier defecto en su funcionamiento, así como en materiales y mano de obra empleados para su fabricación. Nuestra garantía incluye la reparación o reposición del producto y/o

componentes sin cargo alguno para el cliente, incluyendo mano de obra, así como los gastos de transportación razonablemente erogados derivados del cumplimiento de este certificado.

Para hacer efectiva esta garantía deberá presentar su herramienta y esta póliza sellada por el establecimiento comercial donde se adquirió el producto, de no contar con ésta, bastará la factura de compra.

EXCEPCIONES

Esta garantía no será válida en los siguientes casos:

- Cuando el producto se hubiese utilizado en condiciones distintas a las normales;
- Cuando el producto no hubiese sido operado de acuerdo con el instructivo de uso que se acompaña;
- Cuando el producto hubiese sido alterado o reparado por personas distintas a las enlistadas al final de este certificado.

Anexo encontrará una relación de sucursales de servicio de fábrica, centros de servicio autorizados y franquiciados en la República Mexicana, donde podrá hacer efectiva su garantía y adquirir partes, refacciones y accesorios originales.

Registro en línea

Gracias por su compra. Registre su producto ahora para:

- **SERVICIO EN GARANTÍA:** Si completa esta tarjeta, podrá obtener un servicio en garantía más eficiente, en caso de que exista un problema con su producto.
- **CONFIRMACIÓN DE PROPIEDAD:** En caso de una pérdida que cubra el seguro, como un incendio, una inundación o un robo, el registro de propiedad servirá como comprobante de compra.
- **PARA SU SEGURIDAD:** Si registra el producto, podremos comunicarnos con usted en el caso improbable que se deba enviar una notificación de seguridad conforme a la Federal

Consumer Safety Act (Ley Federal de Seguridad de Productos para el Consumidor).

Registro en línea en www.dewalt.com/register.

Garantía limitada por tres años

DEWALT reparará, sin cargo, cualquier falla que surja de defectos en el material o la fabricación del producto, por hasta tres años a contar de la fecha de compra. Esta garantía no cubre fallas de las piezas causadas por su desgaste normal o abuso a la herramienta. Para mayores detalles sobre la cobertura de la garantía e información acerca de reparaciones realizadas bajo garantía, visitenos en www.dewalt.com o diríjase al centro de servicio más cercano. Esta garantía no aplica a accesorios o a daños causados por reparaciones realizadas o intentadas por terceros. Esta garantía le otorga derechos legales específicos, además de los cuales puede tener otros dependiendo del estado o la provincia en que se encuentre.

Además de la garantía, las herramientas DEWALT están cubiertas por:

1 AÑO DE SERVICIO GRATUITO

DEWALT mantendrá la herramienta y reemplazará las piezas gastadas por su uso normal, sin cobro, en cualquier momento durante un año a contar de la fecha de compra. Los artículos gastados por la clavadora, tales como la unidad de hoja y retorno del impulsador, no están cubiertas.

2 AÑOS DE SERVICIO GRATUITO PARA UNIDADES DE ALIMENTACIÓN DEWALT

DC9071, DC9091, DC9096, DC9280, DC9360, DC9180, DCB120, DCB201 y DCB203

3 AÑOS DE SERVICIO GRATUITO PARA UNIDADES DE ALIMENTACIÓN DEWALT

DCB200, DCB204

UNIDADES DE BATERÍA DEWALT

La garantía del producto quedará nula si la unidad de batería ha sido alterada de cualquier manera. DEWALT no es responsable de ninguna lesión causada por alteraciones y podría iniciar un procedimiento judicial por fraude de garantía hasta el máximo grado permisible por la ley.

GARANTÍA DE REEMBOLSO DE SU DINERO POR 90 DÍAS

Si no está completamente satisfecho con el desempeño de su máquina herramienta, láser o clavadora DEWALT, cualquiera sea el motivo, podrá devolverlo hasta 90 días de la fecha de compra con su recibo y obtener el reembolso completo de su dinero – sin necesidad de responder a ninguna pregunta.

AMÉRICA LATINA: Esta garantía no se aplica a los productos que se venden en América Latina. Para los productos que se venden en América Latina, debe consultar la información de la garantía específica del país que viene en el empaque, llamar a la compañía local o visitar el sitio Web a fin de obtener esa información.

REEMPLAZO GRATUITO DE LAS ETIQUETAS DE ADVERTENCIAS: Si sus etiquetas de advertencia se vuelven ilegibles o faltan, llame al 1-800-433-9258 (1-800-4-DEWALT) para que se le reemplacen gratuitamente.



ESPECIFICACIONES

DCS350

20 V Máx*

30 spm

SOLAMENTE PARA PROPÓSITO DE MÉXICO:
IMPORTADO POR: DEWALT INDUSTRIAL TOOL CO. S.A. DE C.V.
AVENIDA ANTONIO DOVALI JAIME, # 70 TORRE B PISO 9
COLONIA LA FE, SANTA FÉ
CÓDIGO POSTAL : 01210
DELEGACIÓN ALVARO OBREGÓN
MÉXICO D.F.
TEL. (52) 555-326-7100
R.F.C.: BDE810626-1W7

**Para servicio y ventas consulte
"HERRAMIENTAS ELECTRICAS"
en la sección amarilla.**







