

# DEWALT®



**Instruction Manual  
Guide D'utilisation  
Manual de instrucciones**

## **DCW600**

**20V Max\* Compact Router  
Toupe compacte 20 V max\*  
Router Compacto 20 V Máx\***

**[www.DEWALT.com](http://www.DEWALT.com)**

**If you have questions or comments, contact us.  
Pour toute question ou tout commentaire, nous contacter.  
Si tiene dudas o comentarios, contáctenos.**

**1-800-4-DEWALT**

**ENGLISH**

---

English (***original instructions***)

1

---

Français (*traduction de la notice d'instructions originale*)

17

---

Español (*traducido de las instrucciones originales*)

35

---

## Definitions: Safety Alert Symbols and Words

This instruction manual uses the following safety alert symbols and words to alert you to hazardous situations and your risk of personal injury or property damage.



**DANGER:** Indicates an imminently hazardous situation which, if not avoided, **will** result in **death or serious injury**.



**WARNING:** Indicates a potentially hazardous situation which, if not avoided, **could** result in **death or serious injury**.



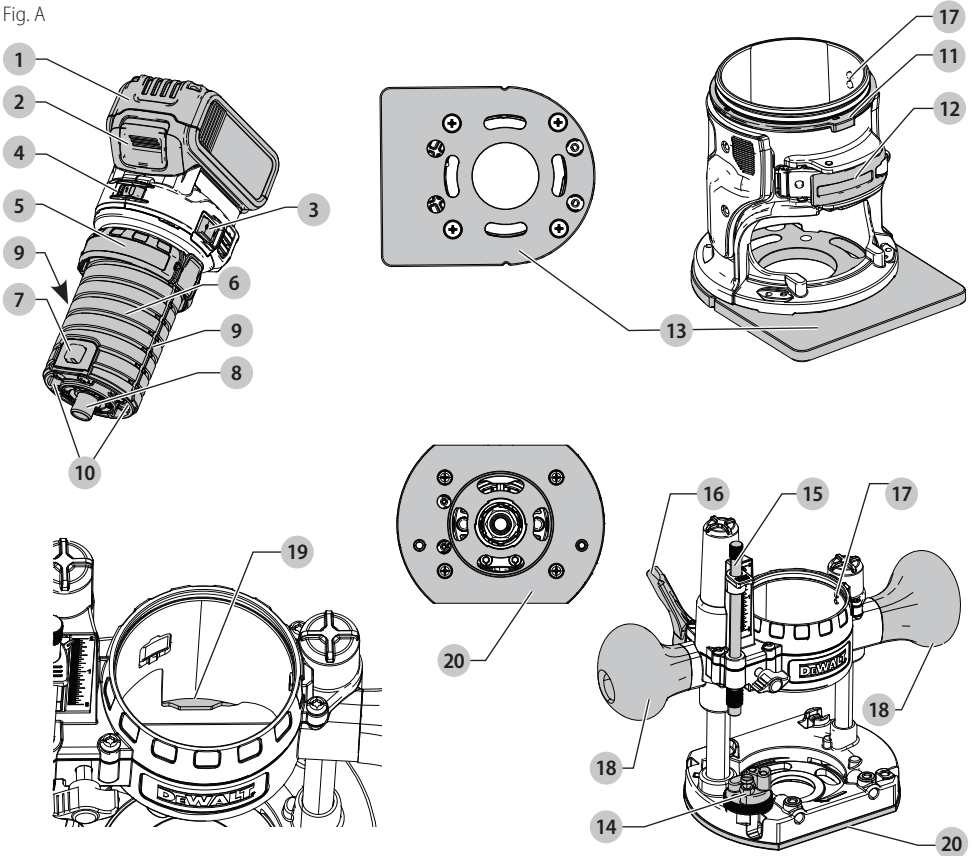
**CAUTION:** Indicates a potentially hazardous situation which, if not avoided, **may** result in **minor or moderate injury**.



(Used without word) Indicates a safety related message.

**NOTICE:** Indicates a practice **not related to personal injury** which, if not avoided, **may** result in **property damage**.

Fig. A



- |                           |                             |
|---------------------------|-----------------------------|
| 1 Battery pack            | 12 Locking lever            |
| 2 Battery release button  | 13 D-shaped subbase         |
| 3 On/Off switch           | 14 Turret stop              |
| 4 Variable speed dial     | 15 Depth adjustment rod     |
| 5 Depth adjustment ring   | 16 Plunge lock lever        |
| 6 Motor                   | 17 Guide pins               |
| 7 Spindle lock button     | 18 Plunge base side handles |
| 8 Spindle                 | 19 Motor stop               |
| 9 Guide pin groove        | 20 Plunge subbase           |
| 10 Worklights             |                             |
| 11 Micro-adjustment scale |                             |



**WARNING:** Read all safety warnings and all instructions. Failure to follow the warnings and instructions may result in electric shock, fire and/or serious injury.



**WARNING:** To reduce the risk of injury, read the instruction manual.

If you have any questions or comments about this or any DEWALT tool, call us toll free at: 1-800-4-DEWALT (1-800-433-9258).

## GENERAL POWER TOOL SAFETY WARNINGS



**WARNING:** Read all safety warnings, instructions, illustrations and specifications provided with this power tool. Failure to follow all instructions listed below may result in electric shock, fire and/or serious injury.

### SAVE ALL WARNINGS AND INSTRUCTIONS FOR FUTURE REFERENCE.

The term "power tool" in the warnings refers to your mains-operated (corded) power tool or battery-operated (cordless) power tool.

#### 1) Work Area Safety

- a) **Keep work area clean and well lit.** Cluttered or dark areas invite accidents.
- b) **Do not operate power tools in explosive atmospheres, such as in the presence of flammable liquids, gases or dust.** Power tools create sparks which may ignite the dust or fumes.
- c) **Keep children and bystanders away while operating a power tool.** Distractions can cause you to lose control.

#### 2) Electrical Safety

- a) **Power tool plugs must match the outlet. Never modify the plug in any way. Do not use any adapter plugs with earthed (grounded) power tools.** Unmodified plugs and matching outlets will reduce risk of electric shock.
- b) **Avoid body contact with earthed or grounded surfaces, such as pipes, radiators, ranges and refrigerators.** There is an increased risk of electric shock if your body is earthed or grounded.
- c) **Do not expose power tools to rain or wet conditions.** Water entering a power tool will increase the risk of electric shock.
- d) **Do not abuse the cord. Never use the cord for carrying, pulling or unplugging the power tool. Keep cord away from heat, oil, sharp edges or moving parts.** Damaged or entangled cords increase the risk of electric shock.
- e) **When operating a power tool outdoors, use an extension cord suitable for outdoor use.** Use of a cord suitable for outdoor use reduces the risk of electric shock.
- f) **If operating a power tool in a damp location is unavoidable, use a ground fault circuit interrupter (GFCI) protected supply.** Use of a GFCI reduces the risk of electric shock.

#### 3) Personal Safety

- a) **Stay alert, watch what you are doing and use common sense when operating a power tool. Do not use a power tool while you are tired or under the influence of drugs, alcohol or medication.** A moment of inattention while operating power tools may result in serious personal injury.
- b) **Use personal protective equipment. Always wear eye protection.** Protective equipment such as dust mask, non-skid safety shoes, hard hat, or hearing

protection used for appropriate conditions will reduce personal injuries.

- c) **Prevent unintentional starting. Ensure the switch is in the off-position before connecting to power source and/or battery pack, picking up or carrying the tool.** Carrying power tools with your finger on the switch or energizing power tools that have the switch on invites accidents.
- d) **Remove any adjusting key or wrench before turning the power tool on.** A wrench or a key left attached to a rotating part of the power tool may result in personal injury.
- e) **Do not overreach. Keep proper footing and balance at all times.** This enables better control of the power tool in unexpected situations.
- f) **Dress properly. Do not wear loose clothing or jewelry. Keep your hair, clothing and gloves away from moving parts.** Loose clothes, jewelry or long hair can be caught in moving parts.
- g) **If devices are provided for the connection of dust extraction and collection facilities, ensure these are connected and properly used.** Use of dust collection can reduce dust-related hazards.
- h) **Do not let familiarity gained from frequent use of tools allow you to become complacent and ignore tool safety principles.** A careless action can cause severe injury within a fraction of a second.

#### 4) Power Tool Use and Care

- a) **Do not force the power tool. Use the correct power tool for your application.** The correct power tool will do the job better and safer at the rate for which it was designed.
- b) **Do not use the power tool if the switch does not turn it on and off.** Any power tool that cannot be controlled with the switch is dangerous and must be repaired.
- c) **Disconnect the plug from the power source and/or remove the battery pack, if detachable, from the power tool before making any adjustments, changing accessories, or storing power tools.** Such preventive safety measures reduce the risk of starting the power tool accidentally.
- d) **Store idle power tools out of the reach of children and do not allow persons unfamiliar with the power tool or these instructions to operate the power tool.** Power tools are dangerous in the hands of untrained users.
- e) **Maintain power tools and accessories. Check for misalignment or binding of moving parts, breakage of parts and any other condition that may affect the power tool's operation. If damaged, have the power tool repaired before use.** Many accidents are caused by poorly maintained power tools.
- f) **Keep cutting tools sharp and clean.** Properly maintained cutting tools with sharp cutting edges are less likely to bind and are easier to control.
- g) **Use the power tool, accessories and tool bits etc. in accordance with these instructions, taking into account the working conditions and the**

**work to be performed.** Use of the power tool for operations different from those intended could result in a hazardous situation.

- h) **Keep handles and grasping surfaces dry, clean and free from oil and grease.** Slippery handles and grasping surfaces do not allow for safe handling and control of the tool in unexpected situations.

## 5) Battery Tool Use and Care

- a) **Recharge only with the charger specified by the manufacturer.** A charger that is suitable for one type of battery pack may create a risk of fire when used with another battery pack.
- b) **Use power tools only with specifically designated battery packs.** Use of any other battery packs may create a risk of injury and fire.
- c) **When battery pack is not in use, keep it away from other metal objects, like paper clips, coins, keys, nails, screws or other small metal objects, that can make a connection from one terminal to another.** Shorting the battery terminals together may cause burns or a fire.
- d) **Under abusive conditions, liquid may be ejected from the battery; avoid contact. If contact accidentally occurs, flush with water. If liquid contacts eyes, additionally seek medical help.** Liquid ejected from the battery may cause irritation or burns.
- e) **Do not use a battery pack or tool that is damaged or modified.** Damaged or modified batteries may exhibit unpredictable behavior resulting in fire, explosion or risk of injury.
- f) **Do not expose a battery pack or tool to fire or excessive temperature.** Exposure to fire or temperature above 265 °F (130 °C) may cause explosion.
- g) **Follow all charging instructions and do not charge the battery pack or tool outside the temperature range specified in the instructions.** Charging improperly or at temperatures outside the specified range may damage the battery and increase the risk of fire.

## 6) Service

- a) **Have your power tool serviced by a qualified repair person using only identical replacement parts.** This will ensure that the safety of the power tool is maintained.
- b) **Never service damaged battery packs.** Service of battery packs should only be performed by the manufacturer or authorized service providers.

## Additional Safety Rules for Routers

- **Hold power tool by insulated gripping surfaces, when performing an operation where the cutting accessory may contact hidden wiring.** Cutting accessory contacting a "live" wire may make exposed metal parts of the power tool "live" and could give the operator an electric shock.
- **Use clamps or another practical way to secure and support the workpiece to a stable platform.** Holding

the work by hand or against your body leaves it unstable and may lead to loss of control.

- **DO NOT cut metal.**
- **Keep handles and gripping surfaces dry, clean, and free from oil and grease.** This will enable better control of the tool.
- **Maintain firm grip with both hands on the tool to resist starting torque.** Maintain a firm grip on the tool at all times while operating.
- **Always follow the bit manufacturer's speed recommendations as some bit designs require specific speeds for safety or performance.** If you are unsure of the proper speed or are experiencing any type of problem, contact the bit manufacturer.
- **Keep hands away from cutting area above and below the base. Never reach under the workpiece for any reason.** Keep the router base firmly in contact with the workpiece when cutting.
- **Never run the motor unit when it is not inserted in one of the router bases.** The motor is not designed to be handheld.
- **Keep cutting pressure constant.** Do not overload motor.
- **Use sharp bits.** Dull bits may cause the router to swerve or stall under pressure.
- **Be sure that the motor has stopped completely before you lay the router down.** If the cutter head is still spinning when the tool is laid down, it could cause injury or damage.
- **Be sure that the router bit is clear of the workpiece before starting the motor.** If the bit is in contact with the workpiece when the motor starts, it could make the router jump, causing damage or injury.
- **ALWAYS disconnect tool from power source before making adjustments or changing bits.**
- **Keep hands clear of bit when motor is running to prevent personal injury.**
- **NEVER touch the bit immediately after use.** It may be extremely hot.
- **Provide clearance under workpiece for router bit when through-cutting.**
- **Tighten collet nut securely to prevent the bit from slipping.**
- **Never tighten collet nut without a bit.**
- **Do not use router bits with a cutting diameter in excess of 1-3/8" (34.9 mm) in this tool.**
- **Always use cutters with a shank diameter of 1/4" (6.4 mm) which corresponds to the size of the collet in your tool.**
- **Always follow the bit manufacturer's speed recommendations as some bit designs require specific speeds for safety or performance.** If you are unsure of the proper speed or are experiencing any type of problem, contact the bit manufacturer.
- **Not recommended for use in a router table.**
- **Avoid climb-cutting (cutting in the opposite direction of that shown in Figure Q). Climb-cutting increases the chance for loss of control resulting in**

ENGLISH

**possible injury.** When climb-cutting is required (backing around a corner), exercise extreme caution to maintain control of router. Make smaller cuts and remove minimal material with each pass.

- **Do not hand-hold the router in an upside-down or horizontal position.** The motor can separate from the base if not properly attached according to the instructions.
- **Before starting the motor clear the work area of all foreign objects.**
- **Do not use in a router table.**
- **Always keep the chip shield (if included) clean and in place.**
- **Do not press spindle lock button while the motor is running.** Doing so can damage the spindle lock.
- **Always make sure the work surface is free from nails and other foreign objects.** Cutting into a nail can cause the bit and the tool to jump.

**Additional Safety Information**

**WARNING: ALWAYS use safety glasses.** Everyday eyeglasses are NOT safety glasses. Also use face or dust mask if cutting operation is dusty. ALWAYS WEAR CERTIFIED SAFETY EQUIPMENT:

- ANSI Z87.1 eye protection (CAN/CSA Z94.3),
- ANSI S12.6 (S3.19) hearing protection,
- NIOSH/OSHA/MSHA respiratory protection.

**WARNING:** Some dust created by power sanding, sawing, grinding, drilling, and other construction activities contains chemicals known to the State of California to cause cancer, birth defects or other reproductive harm. Some examples of these chemicals are:

- lead from lead-based paints,
- crystalline silica from bricks and cement and other masonry products, and
- arsenic and chromium from chemically-treated lumber.

Your risk from these exposures varies, depending on how often you do this type of work. To reduce your exposure to these chemicals: work in a well ventilated area, and work with approved safety equipment, such as those dust masks that are specially designed to filter out microscopic particles.

- **Avoid prolonged contact with dust from power sanding, sawing, grinding, drilling, and other construction activities. Wear protective clothing and wash exposed areas with soap and water.** Allowing dust to get into your mouth, eyes, or lay on the skin may promote absorption of harmful chemicals.

**WARNING:** Use of this tool can generate and/or disperse dust, which may cause serious and permanent respiratory or other injury. Always use NIOSH/OSHA approved respiratory protection appropriate for the dust exposure. Direct particles away from face and body.



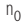










**WARNING:** Always wear proper personal hearing protection that conforms to ANSI S12.6 (S3.19) during use. Under some conditions and duration

of use, noise from this product may contribute to hearing loss.

**CAUTION:** When not in use, place tool on its side on a stable surface where it will not cause a tripping or falling hazard. Some tools with large battery packs will stand upright on the battery pack but may be easily knocked over.

- **Air vents often cover moving parts and should be avoided.** Loose clothes, jewelry or long hair can be caught in moving parts.

The label on your tool may include the following symbols. The symbols and their definitions are as follows:

V .....	volts	 or AC/DC...	alternating or direct current
Hz .....	hertz		Class II Construction (double insulated)
min .....	minutes		$n_0$ ..... no load speed
 or DC.....	direct current	$n$ .....	rated speed
	Class I Construction (grounded)		..... earthing terminal
.../min.....	per minute		..... safety alert symbol
BPM .....	beats per minute		..... visible radiation
IPM .....	impacts per minute		..... wear respiratory protection
RPM .....	revolutions per minute		..... wear eye protection
sfpm .....	surface feet per minute		..... wear hearing protection
SPM .....	strokes per minute		..... read all documentation
A .....	amperes		
W .....	watts		
 or AC.....	alternating current		

**BATTERIES AND CHARGERS**

The battery pack is not fully charged out of the carton. Before using the battery pack and charger, read the safety instructions below and then follow charging procedures outlined. When ordering replacement battery packs, be sure to include the catalog number and voltage. Your tool uses a DeWALT charger. Be sure to read all safety instructions before using your charger.

**READ ALL INSTRUCTIONS**

**Important Safety Instructions for All Battery Packs**

**WARNING:** Read all safety warnings and all instructions for the battery pack, charger and power tool. Failure to follow the warnings and instructions may result in electric shock, fire and/or serious injury.

- **Do not charge or use the battery pack in explosive atmospheres, such as in the presence of flammable liquids, gases or dust.** Inserting or removing the battery pack from the charger may ignite the dust or fumes.
- **NEVER force the battery pack into the charger. DO NOT modify the battery pack in any way to fit into a non-compatible charger as battery pack may rupture causing serious personal injury.** Consult

the chart at the end of this manual for compatibility of batteries and chargers.

- Charge the battery packs only in designated DEWALT chargers.
- **DO NOT** splash or immerse in water or other liquids.
- **Do not store or use the tool and battery pack in locations where the temperature may reach or exceed 104 °F (40 °C) (such as outside sheds or metal buildings in summer).** For best life store battery packs in a cool, dry location.

**NOTE: Do not store the battery packs in a tool with the trigger switch locked on. Never tape the trigger switch in the ON position.**

- **Do not incinerate the battery pack even if it is severely damaged or is completely worn out.** The battery pack can explode in a fire. Toxic fumes and materials are created when lithium ion battery packs are burned.
- **If battery contents come into contact with the skin, immediately wash area with mild soap and water.** If battery liquid gets into the eye, rinse water over the open eye for 15 minutes or until irritation ceases. If medical attention is needed, the battery electrolyte is composed of a mixture of liquid organic carbonates and lithium salts.
- **Contents of opened battery cells may cause respiratory irritation.** Provide fresh air. If symptoms persist, seek medical attention.



**WARNING:** Burn hazard. Battery liquid may be flammable if exposed to spark or flame.



**WARNING:** Fire hazard. Never attempt to open the battery pack for any reason. If the battery pack case is cracked or damaged, do not insert into the charger. Do not crush, drop or damage the battery pack. Do not use a battery pack or charger that has received a sharp blow, been dropped, run over or damaged in any way (e.g., pierced with a nail, hit with a hammer, stepped on). Damaged battery packs should be returned to the service center for recycling.

## Transportation



**WARNING: Fire hazard. Do not store or carry the battery pack so that metal objects can contact exposed battery terminals.** For example, do not place the battery pack in aprons, pockets, tool boxes, product kit boxes, drawers, etc., with loose nails, screws, keys, etc. **Transporting batteries can possibly cause fires if the battery terminals inadvertently come in contact with conductive materials such as keys, coins, hand tools and the like.** The US Department of Transportation Hazardous Material Regulations (HMR) actually prohibit transporting batteries in commerce or on airplanes in carry-on baggage UNLESS they are properly protected from short circuits. So when transporting individual battery packs, make sure that the battery terminals are protected and well insulated from materials that could contact them and cause a short circuit.

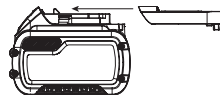
**NOTE:** Lithium-ion batteries should not be put in checked baggage.

## Shipping the DEWALT FLEXVOLT™ Battery

The DEWALT FLEXVOLT™ battery has two modes: **Use** and **Shipping**.

**Use Mode:** When the FLEXVOLT™ battery stands alone or is in a DEWALT 20V Max\* product, it will operate as a 20V Max\* battery. When the FLEXVOLT™ battery is in a 60V Max\* or a 120V Max\* (two 60V Max\* batteries) product, it will operate as a 60V Max\* battery.

**Shipping Mode:** When the cap is attached to the FLEXVOLT™ battery, the battery is in Shipping Mode.



Strings of cells are electrically disconnected within the pack resulting in three batteries with a lower Watt hour (Wh) rating as compared to one battery with a higher Watt hour rating. This increased quantity of three batteries with the lower Watt hour rating can exempt the pack from certain shipping regulations that are imposed upon the higher Watt hour batteries.

The battery label indicates two Watt hour ratings (see example). Depending on how the battery is shipped, the appropriate Watt hour rating must be used to determine the applicable shipping requirements. If utilizing the shipping cap, the pack will be considered 3 batteries at the Watt hour rating indicated for "Shipping". If shipping without the cap or in a tool, the pack will be considered one battery at the Watt hour rating indicated next to "Use".

Example of Use and Shipping Label Marking

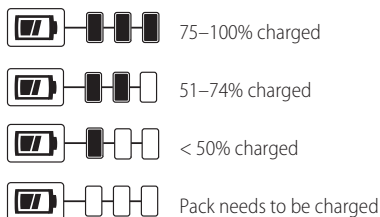
**USE: 120 Wh Shipping: 3 x 40 Wh**

For example, Shipping Wh rating might indicate 3 x 40 Wh, meaning 3 batteries of 40 Watt hours each. The Use Wh rating might indicate 120 Wh (1 battery implied).

## Fuel Gauge Battery Packs (Fig. B)

Some DEWALT battery packs include a fuel gauge which consists of three green LED lights that indicate the level of charge remaining in the battery pack.

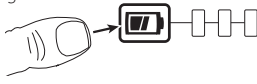
The fuel gauge is an indication of approximate levels of charge remaining in the battery pack according to the following indicators:



To actuate the fuel gauge, press and hold the fuel gauge button. A combination of the three green LED lights will illuminate designating the level of charge left. When the level of charge in the battery is below the usable limit, the fuel gauge will not illuminate and the battery will need to be recharged.

ENGLISH

Fig. B



**NOTE:** The fuel gauge is only an indication of the charge left on the battery pack. It does not indicate tool functionality and is subject to variation based on product components, temperature and end-user application.

For more information regarding fuel gauge battery packs, please call 1-800-4-DEWALT (1-800-433-9258) or visit our website [www.dewalt.com](http://www.dewalt.com).

**The RBRC® Seal**

The RBRC® (Rechargeable Battery Recycling Corporation) Seal on the nickel cadmium, nickel metal hydride or lithium-ion batteries (or battery packs) indicates that the costs to recycle these batteries (or battery packs) at the end of their useful life have already been paid by DEWALT. In some areas, it is illegal to place spent nickel cadmium, nickel metal hydride or lithium-ion batteries in the trash or municipal solid waste stream and the Call 2 Recycle® program provides an environmentally conscious alternative.



Call 2 Recycle, Inc., in cooperation with DEWALT and other battery users, has established the program in the United States and Canada to facilitate the collection of spent nickel cadmium, nickel metal hydride or lithium-ion batteries. Help protect our environment and conserve natural resources by returning the spent nickel cadmium, nickel metal hydride or lithium-ion batteries to an authorized DEWALT service center or to your local retailer for recycling. You may also contact your local recycling center for information on where to drop off the spent battery. RBRC® is a registered trademark of Call 2 Recycle, Inc.

**Important Safety Instructions for All Battery Chargers**

**WARNING:** Read all safety warnings and all instructions for the battery pack, charger and power tool. Failure to follow the warnings and instructions may result in electric shock, fire and/or serious injury.

- **DO NOT attempt to charge the battery pack with any chargers other than the ones in this manual.** The charger and battery pack are specifically designed to work together.
- **These chargers are not intended for any uses other than charging DEWALT rechargeable batteries.** Any other uses may result in risk of fire, electric shock or electrocution.
- **Do not expose the charger to rain or snow.**
- **Pull by the plug rather than the cord when disconnecting the charger.** This will reduce the risk of damage to the electric plug and cord.
- **Make sure that the cord is located so that it will not be stepped on, tripped over or otherwise subjected to damage or stress.**

- **Do not use an extension cord unless it is absolutely necessary.** Use of improper extension cord could result in risk of fire, electric shock or electrocution.
- **When operating a charger outdoors, always provide a dry location and use an extension cord suitable for outdoor use.** Use of a cord suitable for outdoor use reduces the risk of electric shock.
- **An extension cord must have adequate wire size (AWG or American Wire Gauge) for safety.** The smaller the gauge number of the wire, the greater the capacity of the cable, that is, 16 gauge has more capacity than 18 gauge. An undersized cord will cause a drop in line voltage resulting in loss of power and overheating. When using more than one extension to make up the total length, be sure each individual extension contains at least the minimum wire size. The following table shows the correct size to use depending on cord length and nameplate ampere rating. If in doubt, use the next heavier gauge. The lower the gauge number, the heavier the cord.

**Minimum Gauge for Cord Sets**

Volts	Total Length of Cord in Feet (meters)				
	120 V	25 (7.6)	50 (15.2)	100 (30.5)	150 (45.7)
240 V	50 (15.2)	100 (30.5)	200 (61.0)	300 (91.4)	
Ampere Rating		American Wire Gauge			
More Than	Not More Than				
0	6	18	16	16	14
6	10	18	16	14	12
10	12	16	16	14	12
12	16	14	12	Not Recommended	

- **Do not place any object on top of the charger or place the charger on a soft surface that might block the ventilation slots and result in excessive internal heat.** Place the charger in a position away from any heat source. The charger is ventilated through slots in the top and the bottom of the housing.
- **Do not operate the charger with a damaged cord or plug.**
- **Do not operate the charger if it has received a sharp blow, been dropped or otherwise damaged in any way.** Take it to an authorized service center.
- **Do not disassemble the charger; take it to an authorized service center when service or repair is required.** Incorrect reassembly may result in a risk of electric shock, electrocution or fire.
- **Disconnect the charger from the outlet before attempting any cleaning. This will reduce the risk of electric shock.** Removing the battery pack will not reduce this risk.
- **NEVER attempt to connect 2 chargers together.**
- **The charger is designed to operate on standard 120V household electrical power. Do not attempt to use it on any other voltage.** This does not apply to the vehicular charger.



**⚠ WARNING:** Shock hazard. Do not allow any liquid to get inside the charger. Electric shock may result.

**⚠ WARNING:** Burn hazard. Do not submerge the battery pack in any liquid or allow any liquid to enter the battery pack. Never attempt to open the battery pack for any reason. If the plastic housing of the battery pack breaks or cracks, return to a service center for recycling.

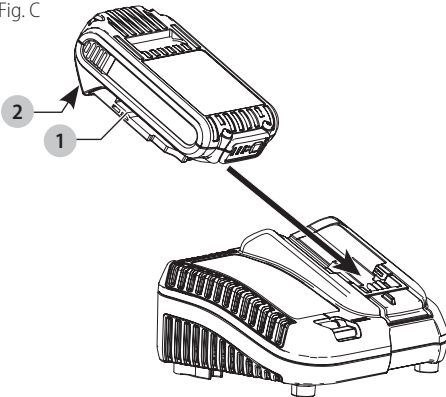
**⚠ CAUTION:** Burn hazard. To reduce the risk of injury, charge only DEWALT rechargeable battery packs. Other types of batteries may overheat and burst resulting in personal injury and property damage.

**⚠ CAUTION:** Under certain conditions, with the charger plugged into the power supply, the charger can be shorted by foreign material. Foreign materials of a conductive nature, such as, but not limited to, grinding dust, metal chips, steel wool, aluminum foil or any buildup of metallic particles should be kept away from the charger cavities. Always unplug the charger from the power supply when there is no battery pack in the cavity. Unplug the charger before attempting to clean.

## Charging a Battery (Fig. C)

1. Plug the charger into an appropriate outlet before inserting battery pack.

Fig. C



2. Insert the battery pack 1 into the charger, making sure the battery pack is fully seated in the charger. The red (charging) light will blink continuously indicating that the charging process has started.
3. The completion of charge will be indicated by the red light remaining ON continuously. The battery pack is fully charged and may be used at this time or left in the charger. To remove the battery pack from the charger, push the battery release button 2 on the battery pack and then slide the battery pack out of the charger.

**NOTE:** To ensure maximum performance and life of lithium-ion battery packs, charge the battery pack fully before first use.

## Charger Operation

Refer to the indicators below for the charge status of the battery pack.

DCB107, DCB112, DCB113, DCB115, DCB118, DCB132

 Charging		
 Fully Charged		
 Hot/Cold Pack Delay*		

### \*DCB107, DCB112, DCB113, DCB115, DCB118, DCB132:

The red light will continue to blink, but a yellow indicator light will be illuminated during this operation. Once the battery pack has reached an appropriate temperature, the yellow light will turn off and the charger will resume the charging procedure.

The compatible charger(s) will not charge a faulty battery pack. The charger will indicate faulty battery pack by refusing to light.

**NOTE:** This could also mean a problem with a charger.

If the charger indicates a problem, take the charger and battery pack to be tested at an authorized service center.

### Hot/Cold Pack Delay

When the charger detects a battery pack that is too hot or too cold, it automatically starts a Hot/Cold Pack Delay, suspending charging until the battery pack has reached an appropriate temperature. The charger then automatically switches to the pack charging mode. This feature ensures maximum battery pack life.

A cold battery pack will charge at a slower rate than a warm battery pack. The battery pack will charge at that slower rate throughout the entire charging cycle and will not return to maximum charge rate even if the battery pack warms.

The DCB118 charger is equipped with an internal fan designed to cool the battery pack. The fan will turn on automatically when the battery pack needs to be cooled.

Never operate the charger if the fan does not operate properly or if ventilation slots are blocked. Do not permit foreign objects to enter the interior of the charger.

### Electronic Protection System

Li-Ion tools are designed with an Electronic Protection System that will protect the battery pack against overloading, overheating or deep discharge.

The tool will automatically turn off if the Electronic Protection System engages. If this occurs, place the lithium-ion battery pack on the charger until it is fully charged.

## Wall Mounting

DCB107, DCB112, DCB113, DCB115, DCB118, DCB132

These chargers are designed to be wall mountable or to sit upright on a table or work surface. If wall mounting, locate the charger within reach of an electrical outlet, and away from a corner or other obstructions which may impede air flow. Use the back of the charger as a template for the location of the mounting screws on the wall. Mount the charger securely using drywall screws (purchased separately) at least 1" (25.4 mm) long, with a screw head diameter of 0.28–0.35" (7–9 mm), screwed into wood to an optimal depth leaving approximately 7/32" (5.5 mm) of the

## ENGLISH

screw exposed. Align the slots on the back of the charger with the exposed screws and fully engage them in the slots.

### Charger Cleaning Instructions



**WARNING:** Shock hazard. Disconnect the charger from the AC outlet before cleaning. Dirt and grease may be removed from the exterior of the charger using a cloth or soft non-metallic brush. Do not use water or any cleaning solutions.

### Important Charging Notes

1. Longest life and best performance can be obtained if the battery pack is charged when the air temperature is between 65 °F and 75 °F (18 ° – 24 °C). DO NOT charge the battery pack below +40 °F (+4.5 °C), or above +104 °F (+40 °C). This is important and will prevent serious damage to the battery pack.
2. The charger and battery pack may become warm to the touch while charging. This is a normal condition, and does not indicate a problem. To facilitate the cooling of the battery pack after use, avoid placing the charger or battery pack in a warm environment such as in a metal shed or an uninsulated trailer.
3. If the battery pack does not charge properly:
  - a. Check operation of receptacle by plugging in a lamp or other appliance;
  - b. Check to see if receptacle is connected to a light switch which turns power off when you turn out the lights;
  - c. Move the charger and battery pack to a location where the surrounding air temperature is approximately 65 °F – 75 °F (18 ° – 24 °C);
  - d. If charging problems persist, take the tool, battery pack and charger to your local service center.
4. The battery pack should be recharged when it fails to produce sufficient power on jobs which were easily done previously. DO NOT CONTINUE to use under these conditions. Follow the charging procedure. You may also charge a partially used pack whenever you desire with no adverse effect on the battery pack.
5. Foreign materials of a conductive nature such as, but not limited to, grinding dust, metal chips, steel wool, aluminum foil, or any buildup of metallic particles should be kept away from charger cavities. Always unplug the charger from the power supply when there is no battery pack in the cavity. Unplug the charger before attempting to clean.
6. Do not freeze or immerse the charger in water or any other liquid.

### Storage Recommendations

1. The best storage place is one that is cool and dry, away from direct sunlight and excess heat or cold.
2. For long storage, it is recommended to store a fully charged battery pack in a cool dry place out of the charger for optimal results.

**NOTE:** Battery packs should not be stored completely depleted of charge. The battery pack will need to be recharged before use.

### SAVE THESE INSTRUCTIONS FOR FUTURE USE

### COMPONENTS (FIG. A)



**WARNING:** Never modify the power tool or any part of it. Damage or personal injury could result.

Refer to Figure A at the beginning of this manual for a complete list of components.

### Intended Use

This tool is designed for professional medium-duty routing applications.

**DO NOT** use under wet conditions or in presence of flammable liquids or gases.

**DO NOT** let children come into contact with the tool. Supervision is required when inexperienced operators use this tool.

### ASSEMBLY AND ADJUSTMENTS



**WARNING:** To reduce the risk of serious personal injury, turn unit off and remove the battery pack before making any adjustments or removing/installing attachments or accessories. An accidental start-up can cause injury.

### Bit Installation and Removal (Fig. D)



**WARNING:** Projectile hazard. Only use bits with shanks that match the installed collet. Smaller shank bits will not be secure and could become loose during operation.



**CAUTION:** Never tighten the collet without first installing a router bit in it. Tightening an empty collet, even by hand, can damage the collet.

**NOTICE:** Do not use router bits with a cutting diameter in excess of 1-3/8" (34.9 mm) in this tool.

### To Install the Bit

1. Remove the motor unit from the base unit. Refer to **Removing the Motor from the Fixed Base/Removing the Motor from the Plunge Base** (if needed).
2. Clean and insert the round shank of the desired router bit into the loosened collet as far as it will go and then pull it out about 1/16" (1.6 mm).
3. Depress the spindle lock button **7** to hold the spindle shaft in place while turning the collet nut **22** clockwise with the wrench provided.

**NOTE:** The unit is equipped with multiple spindle lock detents allowing an optional "manual ratchet" method of tightening the bit.

#### To tighten with the "manual ratchet" method:

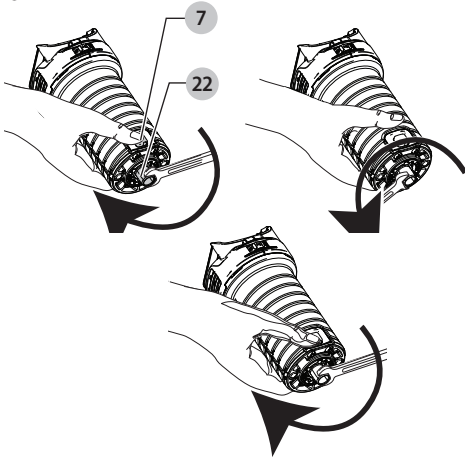
- a. Without removing the wrench from the collet nut **22**, release pressure on the spindle lock button **7**.
- b. With the wrench still on the collet nut, reverse the tightening direction to reset the wrench position.

- c. Depress the spindle lock button again and turn the wrench clockwise.
- d. Repeat the procedure until the collet nut reaches desired tightness.

**NOTE:** Tighten collet nut securely to prevent the bit from slipping.

**NOTICE: Plunge Base Only**—When tightening or changing collets, do not allow the wrenches to contact the plunge rods. If the rods are damaged, the plunge action will be restricted.

Fig. D



### To Remove the Bit

1. Remove the motor unit from the base unit (refer to **Removing the Motor from the Fixed Base/Removing the Motor from the Plunge Base**).
2. Depress the spindle lock button **7** to hold the spindle shaft in place while turning the collet nut **22** counterclockwise with the wrench provided.

### To loosen using the "manual ratchet" method:

1. Without removing the wrench from the collet nut **22**, release pressure on the spindle lock button **7**.
2. With the wrench still on the collet nut **22**, reverse the loosening direction to reset the wrench position.
3. Depress the spindle lock button **7** again and turn the wrench counterclockwise.
4. Repeat the procedure until the collet nut **22** is loose and the bit can be removed.

### Collets

**NOTE:** Never tighten the collet without first installing a router bit in it. Tightening an empty collet, even by hand, can damage the collet.

To change collet sizes, unscrew the collet assembly as described above. Install the desired collet by reversing the procedure. The collet and the collet nut are connected. Do not attempt to remove the collet from the collet nut.

### Locking Lever Adjustment (Fig. E)

Excessive force should not be used to clamp the locking lever. Using excessive force may damage the base.

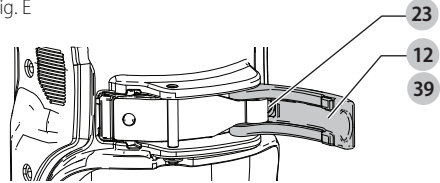
When the locking lever is clamped, the motor should not move in the base.

Adjustment is needed if the locking lever will not clamp without excessive force or if the motor moves in the base after clamping.

#### To adjust the locking lever's clamping force:

1. Open the locking lever **12** (fixed base) or **39** (plunge base).
2. Using a hex wrench turn locking lever adjustment screw **23** in small increments. Turning the screw clockwise tightens the lever, while turning the screw counterclockwise loosens the lever.

Fig. E



### Centering the Subbase (Fig. A, F1, F2)

If you need to adjust, change, or replace the subbase, a centering tool is recommended (refer to **Accessories**). The centering tool consists of a cone and a pin.

#### To adjust the subbase, follow the steps below.

Figure F1 shows adjusting the subbase on the fixed base and Figure F2 shows adjusting the subbase on the plunge base.

1. Loosen but do not remove the subbase screws **24** so the subbase moves freely.
2. Insert the pin into the collet and tighten the collet nut.
3. Insert the motor into the base and clamp the locking lever **12** / **39** on the base.
4. Place the cone on the pin and lightly press down on the cone until it stops. This will center the subbase.
5. While holding down on the cone, tighten the subbase screws.

Fig. F1

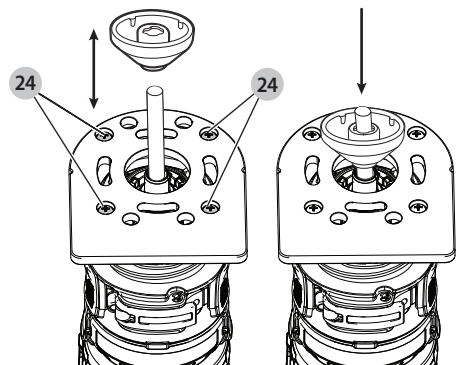
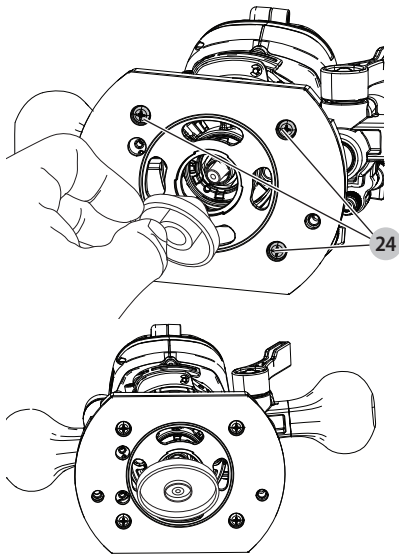


Fig. F2



### Using Template Guides

The round subbase will accept universal template guides. Recommended accessories for use with your tool are available at extra cost from your local dealer or authorized service center.

**NOTE:** The D-shape subbase does not accommodate template guides and is designed to accommodate bits up to 1-3/8" (34.9 mm) in diameter.

#### To Use Template Guides:

1. Center the subbase. See **Centering The Subbase**.
2. Install template guide (available as an accessory) on the subbase and tighten securely.

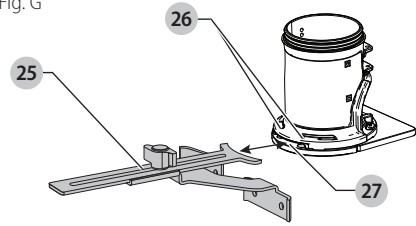
### Installing a Fixed Base Edge Guide (Fig. G) (Included with some models)

An edge guide (model DNP618) for your fixed base is available from your local retailer or service center at extra cost.

1. Remove the motor from the fixed base. Refer to **Removing the Motor from the Fixed Base**.
2. Remove flat head screws **26** from storage holes on edge guide.
3. Slide edge guide **25** into edge guide slot **27** on side of fixed base (Fig. G). Insert the two flat head screws through the appropriate holes in the subbase to secure the edge guide. Tighten hardware.
4. Follow all instructions included with the edge guide.

**NOTE:** To remove the edge guide, reverse the above procedure. After removing edge guide, always replace the two flat head screws into the storage holes on the edge guide to prevent loss.

Fig. G



### Using a Premium Edge Guide (Plunge Base Only) (Included with some models)

A Premium Edge Guide (model DW6913) is available from your local retailer or service center at extra cost. Follow the assembly instructions included with the edge guide.

### Installing a Plunge Base Edge Guide with Guide Rods (Fig. H) (Included with some models)

An edge guide (model DW6913) for your plunge base is available from your local retailer or service center at extra cost.

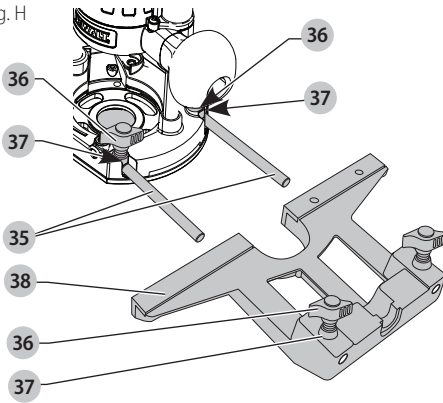
1. Attach the guide rods **35** to the plunge router base.
2. Attach the thumb screws **36** and springs **37** to the base.
3. Tighten the thumb screws **36**.
4. Slide the edge guide **38** over the rods.
5. Attach thumb screws **36** and springs **37** to the edge guide.
6. Tighten the thumb screws temporarily. Refer to **Adjusting the Edge Guide**.

### Adjusting the Edge Guide (Fig. A, H)

Follow the assembly instructions included with the edge guide.

1. Draw a cutting line on the material.
2. Lower the router carriage until the cutter is in contact with the workpiece.
3. Lock the plunge mechanism by releasing the plunge lock lever **16**.
4. Position the router on the cutting line. The outer cutting edge of the cutter must coincide with the cutting line.
5. Slide the edge guide **38** against the workpiece and tighten the thumb screws **36**.

Fig. H



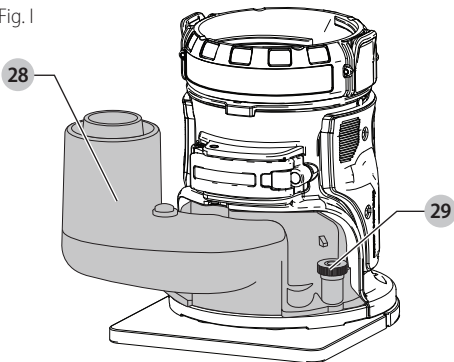
### Attaching a Dust Extraction System to the Fixed Base (Fig. I)

(Included with some models)

To connect the router to a dust extraction system for dust collection, follow these steps:

1. Remove the motor unit from the base. Refer to **Removing the Motor from the Fixed Base**.
2. Attach dust extraction system attachment accessory **28** to the base as shown. Tighten thumb screws **29** securely by hand.
3. Attach hose adapter to dust extraction system attachment accessory.
4. When using dust extraction system attachment, be aware of the placement of the dust extraction system. Be sure that the dust extraction system is stable and that its hose will not interfere with the work.

Fig. I



### Attaching a Dust Extraction System to the Plunge Base (Fig. J)

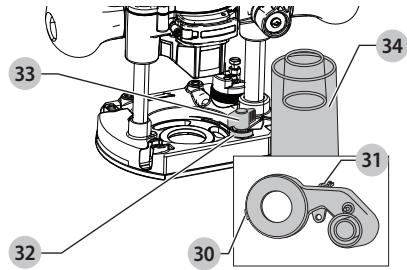
(Included with some models)

1. Remove the motor unit from the base. Refer to **Removing the Motor from the Plunge Base**.
2. Slide tab **30** (inset) on dust extraction system attachment **34** into slot in plunge base and snap tab **31** (inset) into hole in plunge base.

3. Secure to base with supplied plastic washer **32** and thumb screw **33**. Tighten thumb screw securely by hand.
4. Attach hose adapter to dust extraction system attachment.

When using dust extraction system attachment, be aware of the placement of the dust extraction system. Be sure the dust extraction system is stable and its hose will not interfere with the work.

Fig. J



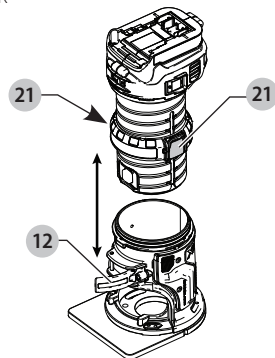
### Set-Up: Fixed Base (Fig. A, K, L)

#### Inserting the Motor into the Fixed Base

1. Open the locking lever **12** on the base.
2. If the depth adjustment ring **5** is not on the motor **6**, thread the depth adjustment ring onto the motor until the ring is about halfway between the top and bottom of the motor as shown. Insert the motor into the base by aligning the groove on the motor **6** with the guide pins **17** on the base. Slide the motor down until the depth adjustment ring snaps into place.
 

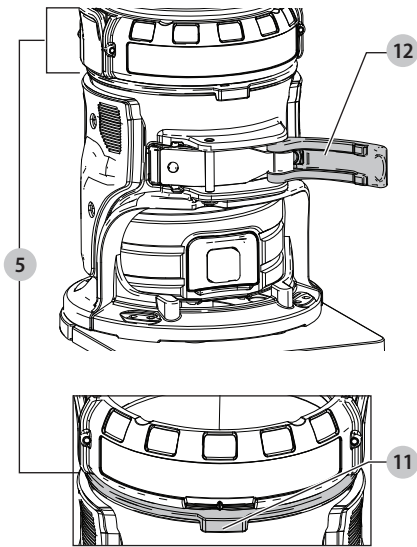
**NOTE:** Guide pin grooves **9** are located on either side of the motor so it can be positioned in two orientations.
3. Adjust the depth of cut by turning the depth adjustment ring. Refer to **Adjusting the Depth of Cut**.
4. Close the locking lever **12** when the desired depth is achieved.

Fig. K



## ENGLISH

Fig. L



### Adjusting the Depth of Cut (Fig. L)

1. Open the locking lever **12** and turn the depth adjustment ring **5** until the bit just touches the work piece. Turning the ring clockwise raises the cutting head while turning it counterclockwise lowers the cutting head.
2. Turn the micro-adjustment scale **11** clockwise until the 0 on the scale lines up with the pointer on the bottom of the depth adjustment ring.
3. Turn the depth adjustment ring until the pointer lines up with desired depth of cut marking on the micro-adjustment scale **11**.  
**NOTE:** Each mark on the adjustment scale represents a depth change of 1/64" or .015" (0.4 mm) and one full (360°) turn of the ring changes the depth 0.5" (12.7 mm).
4. Close the locking lever **12** to lock the base.

### Removing the Motor from the Fixed Base (Fig. K)

1. Remove the battery pack from the motor. Refer to *Installing and Removing the Battery Pack*.
2. Open the locking lever **12** on the base.
3. Grasp the motor unit with one hand, depressing both quick release tabs **21**.
4. With the other hand, grasp the base and pull motor from the base.

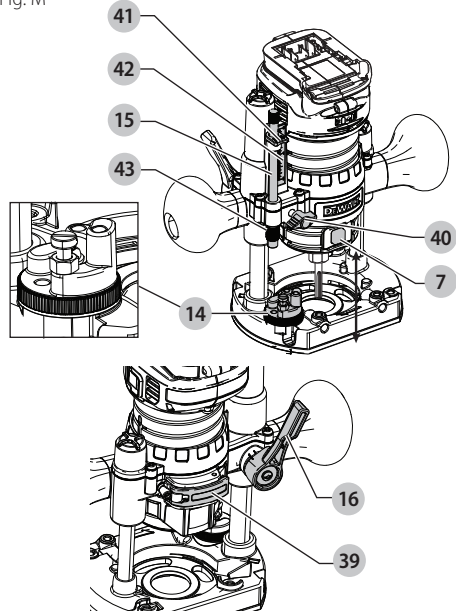
### Set-up: Plunge Base (Fig. A, M)

#### Inserting the Motor into the Plunge Base

1. Remove the depth adjustment ring **5** from the motor **6**. It is not used with the plunge base.  
**NOTE:** Snap depth adjustment ring onto fixed base, when not in use, to prevent loss.

2. Open the plunge base locking lever **39**.
3. Making sure the spindle lock button is facing front, insert the motor **6** into the base by aligning the groove on the motor with the guide pins **17** on the base. Slide the motor down until the motor stops on the motor stop **19**.
4. Close the locking lever **39**.

Fig. M



### Adjusting the Plunge Routing Depth (Fig. M)

- WARNING:** Laceration hazard. Do not change the turret stop while the router is running. This will place your hands too near the cutter head.
- WARNING:** To prevent loss of control, ALWAYS tighten the travel-limiting nuts together. Inadvertent movement could prevent full bit retraction.
- WARNING:** To prevent loss of control, set the travel-limiting nuts so that bit can be retracted into the base of the router, clear of the workpiece.
- WARNING:** To reduce the risk of injury, NEVER adjust or remove the stop nut. Motor can disengage resulting in loss of control.
- CAUTION:** Turn the router on before plunging the cutter head into the workpiece.

1. Unlock the plunge mechanism by pulling down the plunge lock lever **16**. Gently push down on the two handles to plunge the router down as far as it will go, allowing the bit to just touch the workpiece.
2. Lock the plunge mechanism by releasing the plunge lock lever **16**.
3. Loosen the depth adjustment rod **15** by turning the thumb screw **40** counterclockwise.

- Slide the depth adjustment rod **15** down so that it meets the lowest turret stop **14**.
- Slide the zero adjuster tab **41** on the depth adjustment rod down so that the top of it meets zero on the depth adjustment scale **42**.
- Grasping the top, knurled section of the depth adjustment rod **15**, slide it up so that the tab **41** aligns with the desired depth of cut on the depth adjustment scale **42**.
- Tighten the thumb screw **40** to hold the depth adjustment rod in place.
- Keeping both hands on the handles, unlock the plunge mechanism by pulling the plunge lock lever **16** down. The plunge mechanism and the motor will move up. When the router is plunged, the depth adjustment rod will hit the turret stop, allowing the router to reach exactly the desired depth.

### Using the Rotating Turret for Stepped Cuts (Fig. M)

If the depth of cut required is more than is acceptable in a single pass, rotate the turret so that depth rod **15** lines up with taller turret stop initially. After each cut, rotate the turret so that the depth stop lines up with shorter post until the final depth of cut is reached.

**WARNING:** Do not change the turret stop while the router is running. This will place your hands too near the cutter head.

### Fine Adjustment of Routing Depth (Fig. M)

The knurled knob **43** at the bottom end of the depth adjustment rod can be used to make minor adjustments.

- To decrease the cutting depth, rotate the knob clockwise (looking down from the top of the router).
- To increase the cutting depth, rotate the knob counterclockwise (looking down from the top of the router).

**NOTE:** One complete rotation of the knob results in a change of about 5/128" or .04" (1 mm) in depth.

### Removing the Motor from the Plunge Base (Fig. M)

- Remove the battery pack from the motor. Refer to *Installing and Removing the Battery Pack*.
- Open the locking lever **39** on the base.
- Grasp the motor unit with one hand and the base with the other hand, pull motor from the plunge base.

## OPERATION

**WARNING:** To reduce the risk of serious personal injury, turn unit off and remove the battery pack before making any adjustments or removing/installing attachments or accessories. An accidental start-up can cause injury.

## Installing and Removing the Battery Pack (Fig. N)

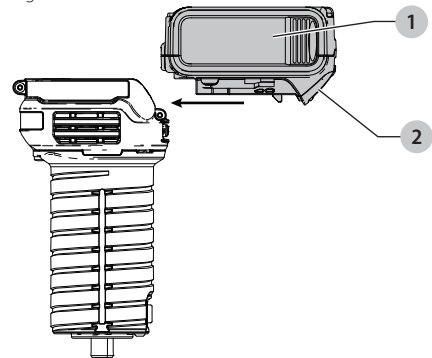
**CAUTION:** Before inserting the battery, check to see that the switch is in the OFF position. An accidental start-up can cause injury.

**NOTE:** For best results, make sure your battery pack is fully charged.

To install the battery pack **1** into the tool handle, align the battery pack with the rails inside the tool's handle and slide it into the handle until the battery pack is firmly seated in the tool and ensure that it does not disengage.

To remove the battery pack from the tool, press the release button **2** and firmly pull the battery pack out of the tool handle. Insert it into the charger as described in the charger section of this manual.

Fig. N



## Proper Hand Position (Fig. A, O, P)

**WARNING:** To reduce the risk of serious personal injury, ALWAYS use proper hand position as shown.

**WARNING:** To reduce the risk of serious personal injury, ALWAYS hold securely in anticipation of a sudden reaction.

When using the fixed base, one hand should be on top of the battery and the other hand around the fixed base (Fig. O). When using the plunge base, grasp the side handles **18** (Fig. A) firmly as shown in Fig. P.

Fig. O

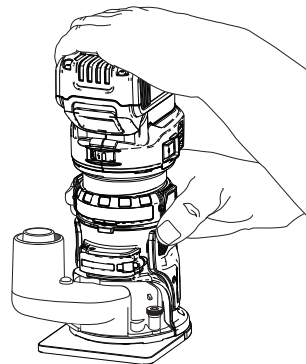
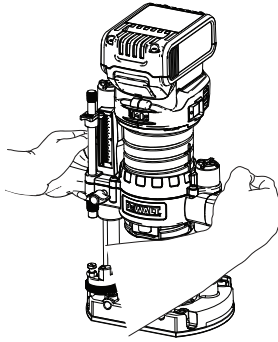


Fig. P



### Starting and Stopping the Motor (Fig. A, N)

**CAUTION:** Before starting the tool, clear the work area of all foreign objects. Also keep firm grip on tool to resist starting torque.

**CAUTION:** To avoid personal injury and/or damage to finished work, always allow the power unit to come to a COMPLETE STOP before putting the tool down.

To turn the unit on, depress the side of the dust-protected switch **3** that has the symbol "I." To turn the unit off, depress the side of the switch that has the symbol "O."

### Cutting with the Fixed Base

Set up the router to use the fixed base by following the instructions in the **Assembly and Adjustments** section.

After the router is set-up, install the battery pack as shown in Fig. N, then set your router speed (refer to **Choosing Router Speed**).

**NOTE:** Always feed the router opposite to the direction in which the cutter is rotating.

### Cutting with the Plunge Base (Fig. A, P)

**NOTE:** The depth of cut is locked in the plunge base's default state. The plunge lock requires user actuation to enable the "release to lock" plunge mechanism.

**NOTE:** Grip both side handles **18** while operating.

1. Depress the plunge lock lever **16** and plunge the router down until the bit reaches the set depth.
2. Release the plunge lock lever **16** when desired depth is reached.
 

**NOTE:** Releasing the plunge lock lever automatically locks the motor in place.

**NOTE:** If additional resistance is needed, use the hand to depress the plunge lock lever.
3. Perform the cut.
4. Depressing the plunge lock lever will disable the locking mechanism allowing the router bit to disengage from the workpiece.
5. Turn the router off.

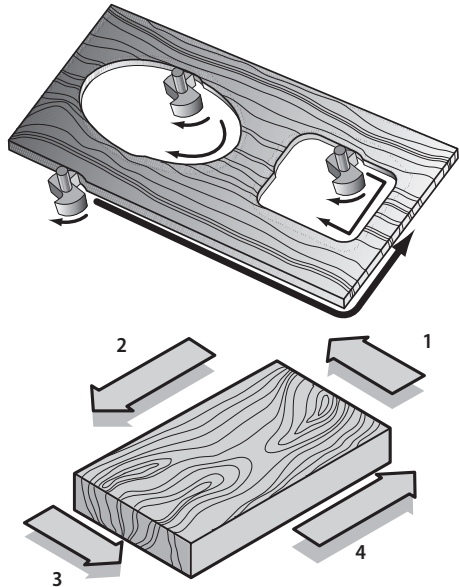
### Direction of Feed (Fig. Q)

The direction of feed is very important when routing and can make the difference between a successful job and a ruined project. The figures show the proper direction of feed for some typical cuts. A general rule to follow is to move the router in a counterclockwise direction on an outside cut and a clockwise direction on an inside cut.

**Shape the outside edge of a piece of stock by following these steps:**

1. Shape the end grain, left to right
2. Shape the straight grain side moving left to right
3. Cut the other end grain side
4. Finish the remaining straight grain edge

Fig. Q



### Choosing Router Speed (Fig. A)

Refer to the **Speed Selection Chart** to choose a router speed. Turn the variable speed dial **4** to control router speed.

### Soft Start Feature

The compact routers are equipped with electronics to provide a soft start feature that minimizes the start up torque of the motor.

### Variable Speed Control (Fig. A)

**WARNING:** If the speed control ceases to operate, or is intermittent, stop using the tool immediately. Take it to a DeWalt factory service center or a DeWalt authorized service center for repair.



**WARNING:** Always follow the bit manufacturer's speed recommendations as some bit designs require specific speeds for safety or performance. If you are unsure of the proper speed or are experiencing any type of problem, contact the bit manufacturer.

This router is equipped with a variable speed dial **4** with 7 speeds between 16000 and 25500 RPM. Adjust the speed by turning the variable speed dial **4**.

**NOTICE:** The router is equipped with electronics to monitor and maintain the speed of the tool while cutting. In low and medium speed operation, the speed control prevents the motor speed from decreasing. If you expect to hear a speed change and continue to load the motor, you could damage the motor by overheating. Reduce the depth of cut and/or slow the feed rate to prevent tool damage.

The compact routers are equipped with electronics to monitor and maintain the speed of the tool while cutting.

**SPEED SELECTION CHART\***

DIAL SETTING	APPROX. RPM	APPLICATION
1	16000	Large diameter bits and cutters
2	17500	
3	19100	
4	20700	Small diameter bits and cutters. Softwoods, plastics, laminates.
5	22300	
6	23900	
7	25500	

\*The speeds in this chart are approximate and are for reference only. Your router may not exactly produce the speed listed for the dial setting.

**NOTE:** Make several light passes instead of one heavy pass for better quality work.

## Worklights (Fig. A)

The worklights **10** are located at the front of the motor **6**. To turn on the worklight, switch on the on/off switch **3**. Worklights will remain on 20 seconds after the on/off switch is moved to the off position.

**NOTE:** The worklights are for lighting the immediate work surface and are not intended to be used as a flashlight.

**NOTE:** If worklights flash, check the charge on the battery; it could be low. If they still flash with a charged battery, the unit should be taken to a service center for evaluation.

## MAINTENANCE

**WARNING:** To reduce the risk of serious personal injury, turn unit off and remove the battery pack before making any adjustments or removing/installing attachments or accessories. An accidental start-up can cause injury.

## Cleaning

**WARNING:** Blow dirt and dust out of all air vents with clean, dry air at least once a week. To minimize the risk of eye injury, always wear ANSI Z87.1 approved eye protection when performing this.

**WARNING:** Never use solvents or other harsh chemicals for cleaning the non-metallic parts of the tool. These chemicals may weaken the plastic materials used in these parts. Use a dry cloth. Never let any liquid get inside the tool; never immerse any part of the tool into a liquid.

**NOTE FOR PLUNGE BASE ONLY:** Use only a DRY cloth to wipe the plunge rods. These rods require no lubrication. Lubricants attract dust, reducing the performance of your tool.

## Waxing Motor and Base

To maintain a smooth action when moving the motor unit in relation to the base, the outside of the motor unit and the inside of the base can be waxed using any standard paste or liquid wax. Per the manufacturers instructions, rub the wax onto the outside diameter of the motor unit and the inside diameter of the base. Allow wax to dry and buff off residue with a soft cloth.

## Accessories

**WARNING:** Since accessories, other than those offered by DeWALT, have not been tested with this product, use of such accessories with this tool could be hazardous. To reduce the risk of injury, only DeWALT recommended accessories should be used with this product.

Recommended accessories for use with your tool are available at extra cost from your local dealer or authorized service center. If you need assistance in locating any accessory, please contact DeWALT Industrial Tool Co., 701 East Joppa Road, Towson, MD 21286, call 1-800-4-DEWALT (1-800-433-9258) or visit our website: [www.dewalt.com](http://www.dewalt.com).

## Repairs

The charger and battery pack are not serviceable.

**WARNING:** To assure product SAFETY and RELIABILITY, repairs, maintenance and adjustment (including brush inspection and replacement, when applicable) should be performed by a DeWALT factory service center or a DeWALT authorized service center. Always use identical replacement parts.

## Register Online

Thank you for your purchase. Register your product now for:

- **WARRANTY SERVICE:** Registering your product will help you obtain more efficient warranty service in case there is a problem with your product.
- **CONFIRMATION OF OWNERSHIP:** In case of an insurance loss, such as fire, flood or theft, your registration of ownership will serve as your proof of purchase.
- **FOR YOUR SAFETY:** Registering your product will allow us to contact you in the unlikely event a safety notification is required under the Federal Consumer Safety Act.

Register online at [www.dewalt.com/register](http://www.dewalt.com/register).

ENGLISH

## Three Year Limited Warranty

DeWALT will repair, without charge, any defects due to faulty materials or workmanship for three years from the date of purchase. This warranty does not cover part failure due to normal wear or tool abuse. For further detail of warranty coverage and warranty repair information, visit [www.dewalt.com](http://www.dewalt.com) or call 1-800-4-DeWALT (1-800-433-9258). This warranty does not apply to accessories or damage caused where repairs have been made or attempted by others. THIS LIMITED WARRANTY IS GIVEN IN LIEU OF ALL OTHERS, INCLUDING THE IMPLIED WARRANTY OF MERCHANTABILITY AND FITNESS FOR A PARTICULAR PURPOSE, AND EXCLUDES ALL INCIDENTAL OR CONSEQUENTIAL DAMAGES. Some states do not allow limitations on how long an implied warranty lasts or the exclusion or limitation of incidental or consequential damages, so these limitations may not apply to you. This warranty gives you specific legal rights and you may have other rights which vary in certain states or provinces. In addition to the warranty, DeWALT tools are covered by our:

### 1 YEAR FREE SERVICE

DeWALT will maintain the tool and replace worn parts caused by normal use, for free, any time during the first year after purchase.

### 2 YEARS FREE SERVICE ON DEWALT BATTERY PACKS

DC9071, DC9091, DC9096, DC9182, DC9280, DC9360, DCB120, DCB127, DCB201, DCB203BT, DCB207, DCB361

### 3 YEARS FREE SERVICE ON DEWALT BATTERY PACKS

DCB200, DCB203, DCB204, DCB204BT, DCB205, DCB205BT, DCB206, DCB230, DCB606, DCB609

**NOTE:** Battery warranty voided if the battery pack is tampered with in any way. DeWALT is not responsible for any injury caused by tampering and may prosecute warranty fraud to the fullest extent permitted by law.

### 90 DAY MONEY BACK GUARANTEE

If you are not completely satisfied with the performance of your DeWALT Power Tool, Laser, or Nailer for any reason, you can return it within 90 days from the date of purchase with a receipt for a full refund – no questions asked.

**LATIN AMERICA:** This warranty does not apply to products sold in Latin America. For products sold in Latin America, see country specific warranty information contained in the packaging, call the local company or see website for warranty information.

**FREE WARNING LABEL REPLACEMENT:** If your warning labels become illegible or are missing, call 1-800-4-DeWALT (1-800-433-9258) for a free replacement.

## Définitions : symboles et termes d'alarmes sécurité

Ces guides d'utilisation utilisent les symboles et termes d'alarmes sécurité suivants pour vous prévenir de situations dangereuses et de risques de dommages corporels ou matériels.



**DANGER** : indique une situation dangereuse imminente qui, si elle n'est pas évitée, **entraînera la mort ou des blessures graves**.



**AVERTISSEMENT** : indique une situation potentiellement dangereuse qui, si elle n'est pas évitée, **pourrait entraîner la mort ou des blessures graves**.



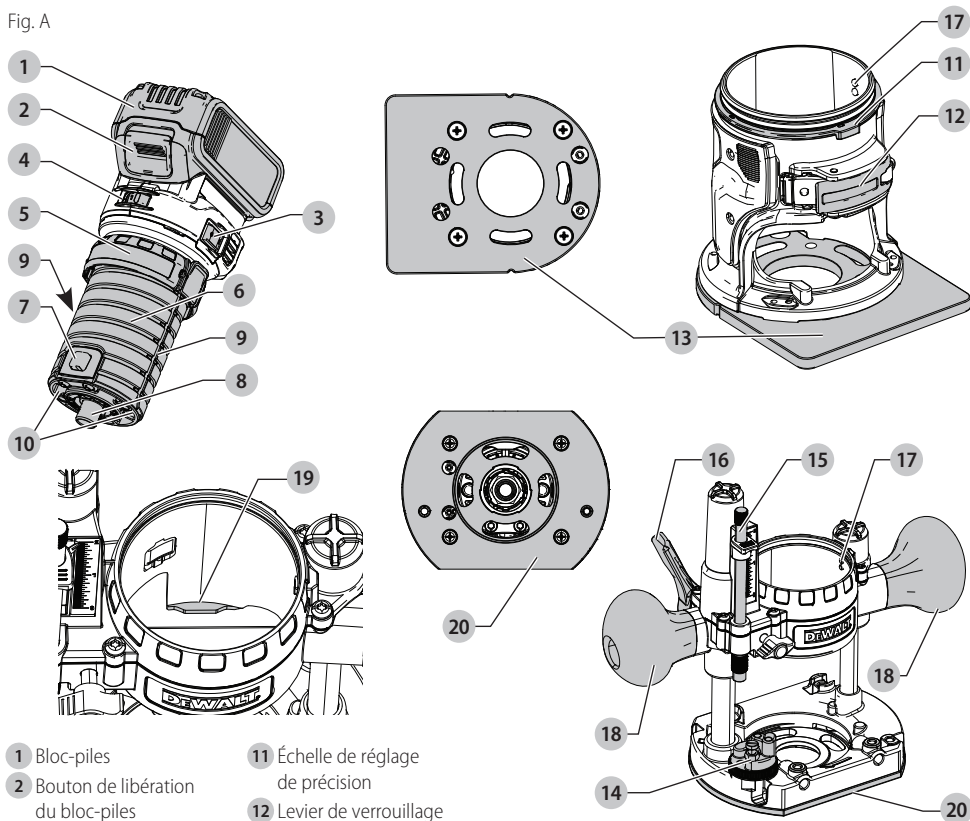
**ATTENTION** : indique une situation potentiellement dangereuse qui, si elle n'est pas évitée, **pourrait entraîner des blessures légères ou modérées**.



(Si utilisé sans aucun terme) Indique un message propre à la sécurité.

**AVIS** : indique une pratique ne posant **aucun risque de dommages corporels** mais qui par contre, si rien n'est fait pour l'éviter, **pourrait poser des risques de dommages matériels**.

Fig. A



- |  |   |
|--|---|
| 1 Bloc-piles                           | 11 Échelle de réglage de précision          |
| 2 Bouton de libération du bloc-piles   | 12 Levier de verrouillage                   |
| 3 Bouton Marche/Arrêt                  | 13 Socle en forme de D                      |
| 4 Échelle de vitesse                   | 14 Butée de tourelle                        |
| 5 Anneau d'ajustement de la profondeur | 15 Tige d'ajustement de la profondeur       |
| 6 Moteur                               | 16 Levier de verrouillage en plongée        |
| 7 Bouton de verrouillage de la tige    | 17 Tiges de guidage                         |
| 8 Tige                                 | 18 Poignées latérales de la base en plongée |
| 9 Rainure de tige de guidage           | 19 Butée du moteur                          |
| 10 Lampes de travail                   | 20 Socle en plongée                         |



**AVERTISSEMENT** : lire tous les avertissements de sécurité et toutes les directives. Le non-respect des avertissements et des directives pourrait se solder par un choc électrique, un incendie et/ou une blessure grave.



**AVERTISSEMENT** : afin de réduire le risque de blessures, lire le mode d'emploi de l'outil.

Pour toute question ou remarque au sujet de cet outil ou de tout autre outil DeWALT, composez le numéro sans frais : 1-800-4-DeWALT (1-800-433-9258).

## AVERTISSEMENTS GÉNÉRAUX SUR LA SÉCURITÉ DES OUTILS

**!** **AVERTISSEMENT :** lisez tous les avertissements de sécurité, toutes les instructions, les illustrations et les caractéristiques fournis avec cet outil électrique. Ne pas suivre toutes les instructions comprises aux présentes peut conduire à un choc électrique, un incendie et/ou des blessures graves.

### CONSERVER TOUS LES AVERTISSEMENTS ET TOUTES LES DIRECTIVES POUR UN USAGE ULTÉRIEUR

Le terme « outil électrique » cité dans les avertissements se rapporte à votre outil électrique à alimentation sur secteur (avec fil) ou par piles (sans fil).

#### 1) Sécurité du lieu de travail

- Tenir l'aire de travail propre et bien éclairée.**  
Les lieux encombrés ou sombres sont propices aux accidents.
- Ne pas faire fonctionner d'outils électriques dans un milieu déflagrant, tel qu'en présence de liquides, de gaz ou de poussières inflammables.**  
Les outils électriques produisent des étincelles qui pourraient enflammer la poussière ou les vapeurs.
- Éloigner les enfants et les personnes à proximité pendant l'utilisation d'un outil électrique.**  
Une distraction pourrait en faire perdre la maîtrise à l'utilisateur.

#### 2) Sécurité en matière d'électricité

- Les fiches des outils électriques doivent correspondre à la prise. Ne jamais modifier la fiche d'aucune façon. Ne jamais utiliser de fiche d'adaptation avec un outil électrique mis à la terre.** Le risque de choc électrique sera réduit par l'utilisation de fiches non modifiées correspondant à la prise.
- Éviter tout contact physique avec des surfaces mises à la terre comme des tuyaux, des radiateurs, des cuisinières et des réfrigérateurs.** Le risque de choc électrique est plus élevé si votre corps est mis à la terre.
- Ne pas exposer les outils électriques à la pluie ou à l'humidité.** La pénétration de l'eau dans un outil électrique augmente le risque de choc électrique.
- Ne pas utiliser le cordon de façon abusive. Ne jamais utiliser le cordon pour transporter, tirer ou débrancher un outil électrique. Tenir le cordon éloigné de la chaleur, de l'huile, des bords tranchants et des pièces mobiles.** Les cordons endommagés ou enchevêtrés augmentent les risques de choc électrique.
- Pour l'utilisation d'un outil électrique à l'extérieur, se servir d'une rallonge convenant à cette application.** L'utilisation d'une rallonge conçue pour l'extérieur réduira les risques de choc électrique.
- S'il est impossible d'éviter l'utilisation d'un outil électrique dans un endroit humide,**

**brancher l'outil dans une prise ou sur un circuit d'alimentation dotés d'un disjoncteur de fuite à la terre (GFCI).** L'utilisation de ce type de disjoncteur réduit les risques de choc électrique.

#### 3) Sécurité personnelle

- Être vigilant, surveiller le travail effectué et faire preuve de jugement lorsqu'un outil électrique est utilisé. Ne pas utiliser d'outil électrique en cas de fatigue ou sous l'influence de drogues, d'alcool ou de médicaments.** Un simple moment d'inattention en utilisant un outil électrique peut entraîner des blessures corporelles graves.
  - Utiliser des équipements de protection individuelle. Toujours porter une protection oculaire.** L'utilisation d'équipements de protection comme un masque antipoussière, des chaussures antidérapantes, un casque de sécurité ou des protecteurs auditifs lorsque la situation le requiert réduira les risques de blessures corporelles.
  - Empêcher les démarrages intempestifs. S'assurer que l'interrupteur se trouve à la position d'arrêt avant de relier l'outil à une source d'alimentation et/ou d'insérer un bloc-piles, de ramasser ou de transporter l'outil.** Transporter un outil électrique alors que le doigt repose sur l'interrupteur ou brancher un outil électrique dont l'interrupteur est à la position de marche risque de provoquer un accident.
  - Retirer toute clé de réglage ou clé avant de démarrer l'outil.** Une clé ou une clé de réglage attachée à une partie pivotante de l'outil électrique peut provoquer des blessures corporelles.
  - Ne pas trop tendre les bras. Conserver son équilibre en tout temps.** Cela permet de mieux maîtriser l'outil électrique dans les situations imprévues.
  - S'habiller de manière appropriée. Ne pas porter de vêtements amples ni de bijoux. Garder les cheveux, les vêtements et les gants à l'écart des pièces mobiles.** Les vêtements amples, les bijoux ou les cheveux longs risquent de rester coincés dans les pièces mobiles.
  - Si des composants sont fournis pour le raccordement de dispositifs de dépoussiérage et de ramassage, s'assurer que ceux-ci sont bien raccordés et utilisés.** L'utilisation d'un dispositif de dépoussiérage peut réduire les dangers engendrés par les poussières.
  - Ne pas laisser votre connaissance acquise suite l'utilisation fréquente des outils vous permettre de baisser la garde et ignorer les principes de sécurité de l'outil.** Un acte irréfléchi peut causer une blessure grave en une fraction de seconde.
- #### 4) Utilisation et entretien d'un outil électrique
- Ne pas forcer un outil électrique. Utiliser l'outil électrique approprié à l'application.** L'outil électrique approprié effectuera un meilleur travail, de façon plus sûre et à la vitesse pour laquelle il a été conçu.

- b) **Ne pas utiliser un outil électrique dont l'interrupteur est défectueux.** Tout outil électrique dont l'interrupteur est défectueux est dangereux et doit être réparé.
- c) **Débranchez la fiche de la prise électrique et, si amovible, retirez le bloc-piles de l'outil avant d'effectuer tout ajustement, changement et entreposage de celui-ci.** Ces mesures préventives réduisent les risques de démarrage accidentel de l'outil électrique.
- d) **Ranger les outils électriques hors de la portée des enfants et ne permettre à aucune personne n'étant pas familière avec un outil électrique ou son mode d'emploi d'utiliser cet outil.** Les outils électriques deviennent dangereux entre les mains d'utilisateurs inexpérimentés.
- e) **Gardez les poignées et surfaces d'emprise propres et libres de tout produit lubrifiant. Vérifier si les pièces mobiles sont mal alignées ou coincées, si des pièces sont brisées ou présentent toute autre condition susceptible de nuire au bon fonctionnement de l'outil électrique. En cas de dommage, faire réparer l'outil électrique avant toute nouvelle utilisation.** Beaucoup d'accidents sont causés par des outils électriques mal entretenus.
- f) **S'assurer que les outils de coupe sont aiguisés et propres.** Les outils de coupe bien entretenus et affûtés sont moins susceptibles de se coincer et sont plus faciles à maîtriser.
- g) **Utiliser l'outil électrique, les accessoires, les forets, etc. conformément aux présentes directives en tenant compte des conditions de travail et du travail à effectuer.** L'utilisation d'un outil électrique pour toute opération autre que celle pour laquelle il a été conçu est dangereuse.
- h) **Garder vos mains et les surfaces de prise sèches, propres et libres de graisse et de poussière.** Les mains et les surfaces de prise glissantes ne permettent pas la manutention et le contrôle sécuritaires de l'outil dans les situations imprévues.

## 5) Utilisation et entretien du bloc-piles

- a) **Ne recharger l'outil qu'au moyen du chargeur précisé par le fabricant.** L'utilisation d'un chargeur qui convient à un type de bloc-piles risque de provoquer un incendie s'il est utilisé avec un autre type de bloc-piles.
- b) **Utiliser les outils électriques uniquement avec les bloc-piles conçus à cet effet.** L'utilisation de tout autre bloc-piles risque de causer des blessures ou un incendie.
- c) **Lorsque le bloc-piles n'est pas utilisé, le tenir éloigné des objets métalliques, notamment des trombones, de la monnaie, des clés, des clous, des vis ou autres petits objets métalliques qui peuvent établir une connexion entre les deux bornes.** Le court-circuit des bornes du bloc-piles risque de provoquer des brûlures ou un incendie.
- d) **En cas d'utilisation abusive, le liquide peut gicler hors du bloc-piles; éviter tout contact avec ce liquide. Si un contact accidentel se produit, laver**

**à grande eau. Si le liquide entre en contact avec les yeux, obtenir également des soins médicaux.**

Le liquide qui gicle hors du bloc-piles peut provoquer des irritations ou des brûlures.

- e) **Ne pas utiliser de bloc-piles ou outil qui a été endommagé ou modifié.** Les unités endommagées ou modifiées peuvent avoir une réaction imprévisible résultant en un incendie, une explosion ou un potentiel de blessure.
- f) **Ne pas exposer de bloc-piles ou l'outil aux flammes ou à des températures excessives.** L'exposition aux flammes ou à une température au-dessus de 130 °C (265 °F) pourrait causer une explosion.
- g) **Suivre toutes les instructions de recharge et ne recharger pas le bloc-piles ou l'outil à des températures hors de la plage de température indiquée dans les instructions.** Une recharge non conforme ou à une température hors des limites spécifiées peut endommager les piles et augmenter le risque d'incendie.

## 6) Réparation

- a) **Faire réparer l'outil électrique par un réparateur professionnel en n'utilisant que des pièces de recharge identiques.** Cela permettra de maintenir une utilisation sécuritaire de l'outil électriques.
- b) **Ne jamais réparer des blocs-piles endommagés.** La réparation de blocs-piles doit seulement être effectuée par le fabricant ou les fournisseurs de service autorisés.

## Règles de sécurité supplémentaires pour les toupies

- **Tenez l'outil électrique par les surfaces de prise isolées, lorsque vous effectuez une tâche où l'accessoire de coupe peut entrer en contact avec le câblage dissimulé.** L'accessoire de coupe entrant un contact avec un câble « sous tension » peut exposer les pièces métalliques de l'outil électrique « sous tension » et pourrait donner un choc électrique à l'utilisateur.
- **Utilisez des pinces ou une autre façon pratique de sécuriser et maintenir la pièce de travail sur une plateforme stable.** Tenir le travail par une main ou contre votre corps le laisse instable et peut mener à une perte de contrôle.
- **NE PAS couper le métal.**
- **Gardez vos mains et les surfaces d'emprise sèches, propres et libres de graisse et de poussière.** Cela permettra un meilleur contrôle de l'outil.
- **Tenez fermement l'outil avec les deux mains afin de résister au couple de démarrage.** Saisissez fermement l'outil en tout temps pendant l'utilisation.
- **Suivez toujours les recommandations de vitesse du fabricant du fer puisque certaines conceptions de fers nécessitent des vitesses spécifiques pour la sécurité ou la performance.** Si vous n'êtes pas certains de la vitesse appropriée ou si vous avez tout type de problèmes, contactez le fabricant de la meche.

## FRANÇAIS

- **Gardez vos mains à l'écart de la zone de coupe au-dessus et sous la base. Ne jamais passer votre main sous la pièce de travail pour quelque raison que ce soit.** Gardez la base de la toupie solidement sur la pièce de travail lorsque vous coupez.
- **Ne jamais faire fonctionner le bloc moteur n'est pas inséré dans une des bases de la toupie.** Le moteur n'est pas conçu pour être tenu à la main.
- **Gardez une pression de coupe constante.** Ne par surcharger le moteur.
- **Utilisez des fers affûtés.** Les fers émoussés peuvent faire en sorte que la toupie dévie ou bloque sous la pression.
- **Assurez-vous que le moteur est complètement arrêté avant de déposer la toupie.** Si la tête de coupe tourne encore lorsque vous déposez l'outil, cela peut causer une blessure ou des dommages.
- **Assurez-vous que le fer de la toupie est hors de la pièce de travail avant de démarrer le moteur.** Si le fer est en contact avec la pièce de travail lorsque le moteur démarre, cela pourrait faire en sorte que la toupie saute, causant des dommages ou des blessures.
- **Débranchez TOUJOURS l'outil de la source d'alimentation avant de faire des ajustements ou de changer les fers.**
- **Gardez vos mains à l'écart du fer lorsque le moteur fonctionne afin d'éviter une blessure corporelle.**
- **NE JAMAIS toucher le fer immédiatement après l'utilisation.** Il peut être extrêmement chaud.
- **Laissez de l'espace sous la pièce de travail pour le fer de la toupie lorsque coupez à travers.**
- **Serrez solidement l'écrou de pince de serrage afin d'empêcher le glissement du fer.**
- **Ne jamais serrer l'écrou de pince de serrage sans un fer.**
- **Ne pas utiliser les fers de toupie ayant un diamètre de coupe excédant de 1-3/8 po (34,9 mm) cet outil.**
- **Utilisez toujours des couteaux ayant un diamètre de tige de 1/4 po (6,4 mm) qui correspond à la taille de la pince dans votre outil.**
- **Suivez toujours les recommandations de vitesse du fabricant du fer puisque certaines conceptions de fers nécessitent des vitesses spécifiques pour la sécurité ou la performance.** Si vous n'êtes pas certains de la vitesse appropriée ou si vous avez tout type de problèmes, contactez le fabricant du fer.
- **Non recommandée pour l'utilisation dans une table à toupie.**
- **Évitez la coupe ascendante (coupe dans le sens opposé à ce qui est illustré dans la Figure Q). La coupe ascendante augmente le risque de perdre le contrôle entraînant une possible blessure.** Lorsqu'une coupe ascendante est requise (contourner un coin), soyez très prudent pour maintenir le contrôle de la toupie. Faites des coupes plus petites et retirez une quantité minimale de matériau lors de chaque passage.
- **Ne pas tenir à la main la toupie à l'envers ou en position horizontale.** Le moteur peut se séparer de la base s'il n'est pas bien fixé selon les instructions.
- **Avant de démarrer le moteur, retirez tous les objets étrangers de la zone de travail.**
- **Ne pas utiliser dans une table à toupie.**
- **Gardez toujours le déflecteur de copeaux (si inclus) propre et en place.**
- **Ne pas appuyer sur le bouton de verrouillage de la tige pendant que le moteur fonctionne.** Le faire peut endommager le verrouillage de la tige.
- **Assurez-vous toujours que la surface de travail est libre de clous ou autres objets étrangers.** Couper dans un clou peut faire en sorte que le fer et l'outil sautent.

## Consigne de sécurité supplémentaire



**AVERTISSEMENT :** porter **SYSTEMATIQUEMENT** des lunettes de protection. Les Lunettes courantes **NE** sont **PAS** des lunettes de protection. Utiliser aussi un masque antipoussières si la découpe doit en produire beaucoup. **PORTER SYSTÉMATIQUEMENT UN ÉQUIPEMENT DE SÉCURITÉ HOMOLOGUÉ :**

- Protection oculaire ANSI Z87.1 (CAN/CSA Z94.3) ;
- Protection auditive ANSI S12.6 (S3.19) ;
- Protection des voies respiratoires NIOSH/OSHA/MSHA.



**AVERTISSEMENT :** les scies, meules, ponceuses, perceuses ou autres outils de construction peuvent produire des poussières contenant des produits chimiques reconnus par l'État californien pour causer cancers, malformations congénitales ou être nocifs au système reproducteur. Parmi ces produits chimiques, on retrouve :

- Le plomb dans les peintures à base de plomb ;
- La silice cristallisée dans les briques et le ciment, ou autres produits de maçonnerie ; et
- L'arsenic et le chrome dans le bois ayant subi un traitement chimique.

Le risque associé à de telles expositions varie selon la fréquence à laquelle on effectue ces travaux. Pour réduire toute exposition à ces produits : travailler dans un endroit bien aéré, en utilisant du matériel de sécurité homologué, tel un masque antipoussières spécialement conçu pour filtrer les particules microscopiques.

- **Limiter toute exposition prolongée avec les poussières provenant du ponçage, sciage, meulage, perçage ou toute autre activité de construction. Porter des vêtements de protection et nettoyer à l'eau savonneuse les parties du corps exposées.** Le fait de laisser la poussière pénétrer dans la bouche, les yeux ou la peau peut favoriser l'absorption de produits chimiques dangereux.



**AVERTISSEMENT :** cet outil peut produire et/ou répandre de la poussière susceptible de causer des dommages sérieux et permanents au système respiratoire. Utiliser systématiquement un appareil de protection des voies respiratoires homologué par

le NIOSH ou l'OSHA. Diriger les particules dans le sens opposé au visage et au corps.














**AVERTISSEMENT : pendant l'utilisation, porter systématiquement une protection auditive individuelle adéquate homologuée ANSI S12.6 (S3.19).** Sous certaines conditions et suivant la durée d'utilisation, le bruit émanant de ce produit pourrait contribuer à une perte de l'acuité auditive.



**ATTENTION : après utilisation, ranger l'outil sur son côté, sur une surface stable, là où il ne pourra ni faire trébucher ni faire chuter quelqu'un.** Certains outils équipés d'un large bloc-piles peuvent tenir à la verticale sur celui-ci, mais manquent alors de stabilité.

- **Prendre des précautions à proximité des événements, car ils cachent des pièces mobiles.** Vêtements amples, bijoux ou cheveux longs risquent de rester coincés dans ces pièces mobiles.

L'étiquette apposée sur votre outil peut inclure les symboles suivants. Les symboles et leur définition sont indiqués ci-après :

V .....	volts	 or AC .....	courant alternatif
Hz .....	hertz	 or AC/DC .....	courant alternatif ou continu
min .....	minutes		fabrication classe II (double isolation)
— — — or DC .....	courant continu	$n_0$ .....	vitesse à vide
 .....	fabrication classe I (mis à la terre)	n .....	vitesse nominale
... /min .....	par minute		borne de terre
BPM .....	batttements par minute		symbole d'avertissement
IPM .....	impacts par minute		radiation visible
RPM .....	révolutions par minute		protection respiratoire
sfp/m .....	pièdes linéaires par minute (plpm)		protection oculaire
SPM (FPM) .....	fréquence par minute		protection auditive
A .....	ampères		lire toute la documentation
W .....	watts		

## BLOCS-PILES ET CHARGEURS

Le bloc-piles n'est pas totalement chargé d'usine. Avant d'utiliser le bloc-piles et le chargeur, lire les consignes de sécurité ci-après puis suivre la procédure de chargement indiquée. Pour commander un bloc-piles de rechange, s'assurer d'en inclure le numéro de catalogue et la tension. Cet outil fonctionne avec un chargeur DEWALT. S'assurer de bien lire toutes les consignes de sécurité avant toute utilisation du chargeur.

### LIRE TOUTES LES CONSIGNES

## Consignes importantes de sécurité les bloc-piles



**AVERTISSEMENT : lire toutes les instructions et toutes les consignes de sécurité propres au bloc-piles, au chargeur et à l'outil électrique. Tout**

**manquement aux avertissements et instructions pose des risques de décharges électriques, d'incendie et/ou de blessures graves.**

- **Ne pas recharger ou utiliser un bloc-piles en milieu déflagrant, en présence, par exemple, de poussières, gaz ou liquides inflammables.** Le fait d'insérer ou retirer un bloc-piles de son chargeur pourrait causer l'inflammation de poussières ou d'émanations.
- **NE JAMAIS forcer l'insertion d'un bloc-piles dans un chargeur. NE modifier un bloc-piles d'AUCUNE façon pour le faire rentrer dans un chargeur incompatible, car il pourrait se briser et causer des dommages corporels graves.** Consulter le tableau en dernière page de ce manuel pour connaître les compatibilités entre chargeurs et blocs-piles.
- Recharger les blocs-piles exclusivement dans des chargeurs DEWALT.
- **NE PAS** éclabousser le bloc-piles ou l'immerger dans l'eau ou dans tout autre liquide.
- **Ne pas entreposer ou utiliser l'appareil et le bloc-piles en présence de températures ambiantes pouvant excéder 40 °C (104 °F) (comme dans des hangars ou des bâtiments métalliques l'été).** Pour préserver leur durée de vie, entreposer les blocs-piles dans un endroit frais et sec.  
**REMARQUE : ne pas mettre un bloc-piles dans un outil dont la gâchette est verrouillée en position de marche. Ne jamais bloquer l'interrupteur en position de MARCHÉ.**
- **Ne pas incinérer le bloc-piles même s'il est sévèrement endommagé ou complètement usagé, car il pourrait exploser et causer un incendie.** Pendant l'incinération des blocs-piles au lithium-ion, des vapeurs et matières toxiques sont dégagées.
- **En cas de contact du liquide de la pile avec la peau, rincer immédiatement au savon doux et à l'eau.** En cas de contact oculaire, rincer l'œil ouvert à l'eau claire une quinzaine de minutes ou jusqu'à ce que l'irritation cesse. Si des soins médicaux s'avéraient nécessaires, noter que l'électrolyte de la pile est composé d'un mélange de carbonates organiques liquides et de sels de lithium.
- **Le contenu des cellules d'une pile ouverte peut causer une irritation respiratoire.** En cas d'inhalation, exposer l'individu à l'air libre. Si les symptômes persistent, consulter un médecin.



**AVERTISSEMENT : risques de brûlure.** Le liquide de la pile peut s'enflammer s'il est exposé à des étincelles ou à une flamme.



**AVERTISSEMENT : risques d'incendie.** Ne jamais tenter d'ouvrir le bloc-piles pour quelque raison que ce soit. Si le boîtier du bloc-piles est fissuré ou endommagé, ne pas l'insérer dans un chargeur. Ne pas écraser, laisser tomber, ou endommager les blocs-piles. Ne pas utiliser un bloc-piles ou un chargeur qui a reçu un choc violent, ou si l'appareil est tombé, a été écrasé ou endommagé de quelque façon que ce soit (p. ex. percé par un clou, frappé d'un coup

## FRANÇAIS

de marteau, piétiéné). Les blocs-piles endommagés doivent être renvoyés à un centre de réparation pour y être recyclés.

### Transport



**AVERTISSEMENT : risques d'incendie. Au moment de ranger ou transporter le bloc-piles, veiller à protéger ses bornes à découvert de tout objet métallique.** Par exemple, éviter de placer le bloc-piles dans un tablier, une poche, une boîte à outils ou un tiroir, etc. contenant des objets tels que clous, vis, clés, etc. **Le fait de transporter des blocs-piles comporte des risques d'incendie, car les bornes des piles pourraient entrer, par inadvertance, en contact avec des objets conducteurs, tels que : clés, pièces de monnaie, outils ou autres.**

La réglementation sur les produits dangereux (Hazardous Material Regulations) du département américain des transports interdit, en fait, le transport des blocs-piles dans les commerces ou dans les avions dans les bagages de cabine, À MOINS qu'ils ne soient correctement protégés de tout court-circuit. Aussi lors du transport individuel de blocs-piles, s'assurer que leurs bornes sont bien protégées et isolées de tout matériau pouvant entrer en contact avec elles et provoquer un court-circuit.

**REMARQUE :** il ne faut pas laisser de piles au lithium-ion dans les bagages enregistrés.

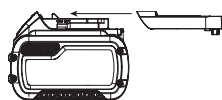
### Expédition du bloc-piles DEWALT FLEXVOLT™C

Le bloc-piles DEWALT FLEXVOLT™C possède deux modes :

#### Utilisation et Expédition.

**Mode Utilisation :** lorsque le bloc-piles FLEXVOLT™C est par lui-même ou dans un produit DEWALT 20V max\*, il fonctionnera comme un bloc-piles de 20V max\*. Lorsque le bloc-piles FLEXVOLT™C est dans un produit de 60V max\* ou 120V max\* (deux blocs-piles de 60V max\*), il fonctionnera comme un bloc-piles de 60V max\*.

**Mode Expédition :** lorsque le capuchon est inséré sur le bloc-piles FLEXVOLT™C, le bloc-piles est en mode Expédition. Les modules



de cellules sont électriquement déconnectés du bloc le faisant correspondre à trois blocs-piles d'un wattheure (Wh) inférieur comparé à un bloc-piles de wattheure élevé. Ce passage à trois blocs-piles à un wattheure inférieur peut permettre au bloc-piles d'être exempté de suivre certaines directives d'expédition imposées sur les blocs-piles de wattheure supérieur.

L'étiquette du bloc-piles donne deux estimations de wattheures (se reporter à l'exemple). Selon comment le bloc-piles est expédié, l'estimation appropriée de wattheure doit être utilisée pour déterminer les modalités d'expédition lui correspondant. Si le capuchon d'expédition est utilisé, le bloc-piles sera considéré comme 3 blocs-piles au wattheure indiqué pour « Expédition ». S'il est expédié sans le capuchon ou dans un outil, le bloc-piles sera considéré comme un seul bloc-piles au wattheure indiqué à côté de « Utilisation ».

Exemple d'étiquetage d'utilisation et d'expédition

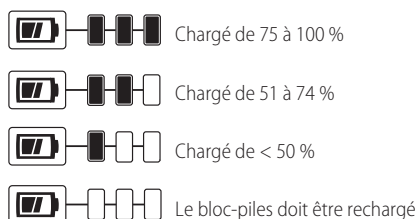
**USE: 120 Wh Shipping: 3 x 40 Wh**

Par exemple, le Wh deexpédition pourra indiquer 3 x 40 Wh, ce qui correspond à 3 blocs-piles de 40 wattheures chacun. L'utilisation du Wh pourra indiquer 120 Wh (sous-entendu 1 bloc-piles).

### Témoin de Charge du Bloc-Piles (Fig. B)

Certains blocs-piles DEWALT possèdent un témoin de charge qui consiste en trois voyants Del verts indiquant le niveau de charge du bloc-piles.

Le témoin de charge indique approximativement le niveau de charge restant dans le bloc-piles en fonction des voyants suivants :



Pour activer le témoin de charge, maintenez appuyé le bouton du témoin de charge. Une combinaison des trois voyants Del verts s'allumera indiquant le niveau de charge. Lorsque le niveau de charge du bloc-pile atteint la limite minimale d'utilisation, le témoin de charge reste éteint et le bloc-piles doit être rechargé.

Fig. B



**REMARQUE :** le témoin de charge ne fait qu'indiquer le niveau de charge du bloc-piles. Il ne donne aucune indication quant au fonctionnement de l'outil. Son propre fonctionnement pourra aussi varier en fonction des composants produit, de la température et de l'application d'utilisation.

Pour plus d'informations quant au témoin de charge du bloc-piles, veuillez appeler le 1-800-4-DEWALT (1-800-433-9258) ou vous rendre sur notre site [www.dewalt.com](http://www.dewalt.com).

### Le sceau SRPRC®

Le sceau SRPRC® (Société de recyclage des piles rechargeables du Canada) apposé sur une pile au nickel-cadmium, à hydrure métallique de nickel ou au lithium-ion (ou un bloc-piles) indique que les coûts de recyclage de ces derniers en fin d'utilisation ont déjà été réglés par DEWALT. Dans certaines régions, la mise au rebut ou aux ordures municipales des piles au nickel-cadmium, à l'hydrure métallique de nickel ou au lithium-ion, est illégale ; le programme de l'Appel à Recycler® constitue donc une solution pratique et écologique.

Appel à Recycler Canada, Inc., en collaboration avec DEWALT et d'autres utilisateurs de piles, a mis sur pied de programme aux États-Unis et au Canada pour faciliter la





collecte des piles au nickel-cadmium, à l'hydrure métallique de nickel ou au lithium-ion usagées. Aidez-nous à protéger l'environnement et à conserver nos ressources naturelles en renvoyant les piles au nickel-cadmium, à l'hydrure métallique de nickel ou au lithium-ion usagées à un centre de réparation autorisé DEWALT ou chez votre détaillant afin qu'elles y soient recyclées. On peut en outre se renseigner auprès d'un centre de recyclage local pour connaître d'autres sites les acceptant.

SRPRC® est une marque déposée de l'Appel à Recycler Canada, Inc.

## Directives de sécurité importantes propres à tous les chargeurs de piles



**AVERTISSEMENT : lire toutes les instructions et toutes les consignes de sécurité propres au bloc-piles, au chargeur et à l'outil électrique. Tout manquement aux avertissements et instructions pose des risques de décharges électriques, d'incendie et/ou de blessures graves.**

- **NE PAS tenter de charger de bloc-piles avec des chargeurs autres que ceux décrits dans ce manuel.** Le chargeur et son bloc-piles ont été conçus tout spécialement pour fonctionner ensemble.
- **Ces chargeurs n'ont pas été conçus pour une utilisation autre que recharger les blocs-piles rechargeables DEWALT.** Toute autre utilisation comporte des risques d'incendie, de chocs électriques ou d'électrocution.
- **Protéger le chargeur de la pluie ou de la neige.**
- **Tirer sur la fiche plutôt que sur le cordon pour débrancher le chargeur.** Cela permet de réduire les risques d'endommager la fiche ou le cordon d'alimentation.
- **S'assurer que le cordon est protégé de manière à ce que personne ne marche ni ne trébuché dessus, ou à ce qu'il ne soit ni endommagé ni soumis à aucune tension.**
- **N'utiliser une rallonge qu'en cas de nécessité absolue.** L'utilisation d'une rallonge inadéquate comporte des risques d'incendie, de chocs électriques ou d'électrocution.
- **Pour utiliser un chargeur à l'extérieur, le placer dans un endroit sec et utiliser une rallonge conçue pour l'extérieur.** L'utilisation d'une rallonge conçue pour l'extérieur réduit les risques de chocs électriques.
- **Pour la sécurité de l'utilisateur, utiliser une rallonge de calibre adéquat (AWG, American Wire Gauge [calibrage américain normalisé des fils électriques]).** Plus le calibre est petit, et plus sa capacité est grande. Un calibre 16, par exemple, a une capacité supérieure à un calibre 18. L'usage d'une rallonge de calibre insuffisant causera une chute de tension qui entraînera perte de puissance et surchauffe. Si plus d'une rallonge est utilisée pour obtenir une certaine longueur, s'assurer que chaque rallonge présente au moins le calibre de fil minimum. Le tableau ci-dessous illustre les calibres à utiliser selon la longueur de rallonge et l'intensité nominale indiquée sur

la plaque signalétique. En cas de doute, utiliser le calibre suivant. Plus le calibre est petit, plus la rallonge peut supporter de courant.

### Calibre minimum pour les cordons d'alimentation

Volts		Longueur totale du cordon d'alimentation en mètre (pieds)			
120 V		7,6 (25)	15,2 (50)	30,5 (100)	45,7 (150)
240 V		15,2 (50)	30,5 (100)	61,0 (200)	91,4 (300)
Ampères		AWG			
Plus que	Pas plus que				
0	6	18	16	16	14
6	10	18	16	14	12
10	12	16	16	14	12
12	16	14	12	Non recommandé	

- **Ne poser aucun objet sur le chargeur. Ne pas mettre le chargeur sur une surface molle qui pourrait en bloquer la ventilation et provoquer une surchauffe interne.** Éloigner le chargeur de toute source de chaleur. Le chargeur dispose d'orifices d'aération sur le dessus et le dessous du boîtier.
- **Ne pas le faire fonctionner avec un cordon d'alimentation ou une fiche endommagée.**
- **Ne pas utiliser le chargeur s'il a reçu un coup, fait une chute ou a été endommagé de quelque façon que ce soit.** Le ramener dans un centre de réparation agréé.
- **Ne pas démonter le chargeur. Pour tout service ou réparation, le rapporter dans un centre de réparation agréé.** Le fait de le réassembler de façon incorrecte comporte des risques de chocs électriques, d'électrocution et d'incendie.
- **Débrancher le chargeur du secteur avant tout entretien. Cela réduira tout risque de chocs électriques.** Le fait de retirer le bloc-piles ne réduira pas ces risques.
- **NE JAMAIS tenter de connecter 2 chargeurs ensemble.**
- **Le chargeur a été conçu pour être alimenté en courant électrique domestique standard de 120 volts. Ne pas tenter de l'utiliser avec toute autre tension.** Cela ne s'applique pas aux chargeurs de postes mobiles.



**AVERTISSEMENT : risques de chocs électriques.** Ne laisser aucun liquide pénétrer dans le chargeur, des chocs électriques pourraient en résulter.



**AVERTISSEMENT : risques de brûlure.** Ne submerger le bloc-piles dans aucun liquide et le protéger de toute infiltration de liquide. Ne jamais tenter d'ouvrir le bloc-piles pour quelque raison que ce soit. Si le boîtier plastique du bloc-piles est brisé ou fissuré, le retourner dans un centre de réparation pour y être recyclé.



**ATTENTION : risques de brûlure.** Pour réduire tout risque de dommages corporels, ne recharger que des blocs-piles rechargeables DEWALT. Tout autre type de piles pourrait exploser et causer des dommages corporels et matériels.



**ATTENTION : sous certaines conditions, lorsque le chargeur est connecté au bloc d'alimentation, des**

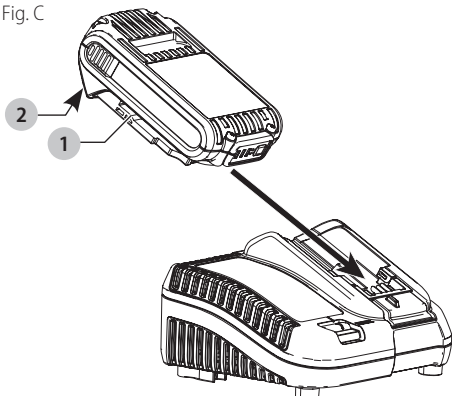
## FRANÇAIS

*matériaux étrangers pourraient court-circuiter le chargeur. Les corps étrangers conducteurs tels que (mais pas limité à) poussières de rectification, débris métalliques, laine d'acier, feuilles d'aluminium, ou toute accumulation de particules métalliques doivent être maintenus à distance des orifices du chargeur. Débrancher systématiquement le chargeur lorsque le bloc-piles n'y est pas inséré. Débrancher systématiquement le chargeur avant tout entretien.*

### Chargement du bloc-piles (Fig. C)

1. Branchez le chargeur dans la prise appropriée avant d'y insérer le bloc-piles.

Fig. C



2. Insérer le bloc-piles 1 dans le chargeur, en vous assurant qu'il y est correctement calé. Le voyant rouge (charge) clignotera de façon continue indiquant que le cycle de chargement a commencé.
3. En fin de charge, le voyant rouge restera ALLUMÉ de façon continue. Le bloc-piles est alors complètement rechargé et peut être utilisé ou laissé dans le chargeur. Pour retirer le bloc-piles du chargeur, appuyez sur le bouton de libération des piles 2 sur le bloc-piles, puis glissez le bloc-piles hors du chargeur.

**REMARQUE :** pour assurer des performances optimales et une durée de vie maximale des blocs-piles au lithium-ion, recharger pleinement le bloc-piles avant toute utilisation initiale.

### Utilisation du chargeur

Reportez-vous aux indications du tableau ci-dessous pour consulter le statut de charge du bloc-piles.

DCB107, DCB112, DCB113, DCB115, DCB118, DCB132

	Bloc-piles en Cours de Chargement	---	
	Bloc-piles Chargé	—	
	Suspension de Charge Contre le Chaud/Froid*	--- ---	

**\*DCB107, DCB112, DCB113, DCB115, DCB118, DCB132:**

le voyant rouge ne cessera de clignoter, mais un voyant jaune restera allumé pendant cette opération. Lorsque le bloc-piles aura repris une température appropriée,

le voyant jaune s'éteindra et le chargeur reprendra sa procédure de charge.

Le chargeur ne pourront recharger des blocs-piles défectueux. Le chargeur indiquera qu'un bloc-piles est défectueux en refusant de s'allumer.

**REMARQUE :** cela pourra aussi indiquer un problème avec le chargeur.

Si le problème provient du chargeur, faites vérifier le chargeur et le bloc-piles chez un centre de réparation agréé.

### Fonction de suspension de charge contre le chaud/froid

Lorsque le chargeur détecte un bloc-piles trop chaud ou trop froid, il démarre automatiquement la fonction de suspension de charge contre le chaud, suspendant le chargement jusqu'à ce que le bloc-piles ait repris une température appropriée. Le chargeur ensuite se remettra automatiquement en mode de chargement. Cette caractéristique assure aux blocs-piles une durée de vie maximale.

Un bloc-piles froid se rechargera moins vite qu'un bloc-piles chaud. Le bloc-piles se rechargera à ce rythme plus lent tout au cours du cycle de charge et ne retournera pas à sa vitesse maximale de charge même s'il venait à se réchauffer.

Le chargeur DCB118 est équipé d'un ventilateur interne destiné à refroidir le bloc-piles. Le ventilateur se mettra automatiquement en marche chaque fois que le bloc-piles aura besoin de se refroidir.

N'utilisez jamais le chargeur si le ventilateur ne fonctionne pas correctement ou si ses fentes d'aération sont bloquées. Protégez systématiquement l'intérieur du chargeur de tout objet étranger.

### Système de protection électronique

Les appareils au Li-Ion sont équipés d'un système électronique de protection pour protéger les blocs-piles de toute surcharge, surchauffe ou fuite importante.

L'appareil s'arrêtera automatiquement dès que le système électronique de protection sera activé. Si c'était le cas, placez le bloc-piles au lithium-ion sur son chargeur jusqu'à ce qu'il soit complètement rechargé.

### Installation murale

DCB107, DCB112, DCB113, DCB115, DCB118, DCB132

Ces chargeurs ont été conçus pour une installation murale ou pour être posés sur une table ou une surface de travail. Pour une fixation murale, installez le chargeur à proximité d'une prise électrique, et à l'écart de coins ou de toute autre obstruction au passage de l'air. Utilisez l'arrière du chargeur pour marquer l'emplacement des vis de montage sur le mur. Fixez soigneusement le chargeur à l'aide de vis autoforeuses (vendues séparément) d'au moins 25,4 mm (1 po) de long, et de diamètre de tête de 7-9 mm (0,28-0,35 po), que vous visserez dans le bois en laissant une longueur optimale d'environ 5,5 mm (7/32 po) exposée. Alignez les orifices à l'arrière du chargeur sur les vis exposées et insérez à fond ces dernières dans les orifices.

## Instructions d'entretien du chargeur



**AVERTISSEMENT :** risques de chocs électriques. Débrancher le chargeur de la prise de courant alternatif avant tout entretien. Éliminer toute saleté ou graisse de la surface externe du chargeur à l'aide d'un chiffon ou d'une brosse non métallique douce. N'utiliser ni eau ni aucun nettoyant liquide.

## Remarques importantes concernant le chargement

- Pour augmenter la durée de vie du bloc-piles et optimiser son rendement, le recharger à une température ambiante de 18 ° à 24 °C (65 °F à 75 °F). NE PAS charger lorsque le bloc-piles est en dessous de +4,5 °C (+40°F) ou au-dessus de +40 °C (+104 °F). C'est important pour prévenir tout dommage sérieux au bloc-piles.
- Le chargeur et son bloc-piles peuvent devenir chauds au toucher pendant la charge. C'est normal et ne représente en aucun cas une défaillance du produit. Pour faciliter le refroidissement du bloc-piles après utilisation, évitez de laisser le chargeur ou le bloc-piles dans un local où la température ambiante est élevée comme dans un hangar métallique ou une remorque non isolée.
- Si le bloc-piles ne se recharge pas correctement :
  - Vérifier le bon fonctionnement de la prise en y branchant une lampe ou tout autre appareil électrique.
  - Vérifier que la prise n'est pas contrôlée par un interrupteur qui coupe le courant lorsqu'on éteint les lumières.
  - Déplacer le chargeur et le bloc-piles dans un local où la température ambiante se trouve entre environ 18 ° et 24 °C (65 °F et 75 °F).
  - Si le problème persiste, amener l'outil, le bloc-piles et son chargeur dans un centre de réparation local.
- Recharger le bloc-piles lorsqu'il ne produit plus assez de puissance pour effectuer un travail qu'il faisait facilement auparavant. NE PAS CONTINUER à l'utiliser dans ces conditions. Suivre la procédure de charge. Si nécessaire, il est aussi possible de recharger un bloc-piles partiellement déchargé sans effet nuisible sur le bloc-piles.
- Les corps étrangers conducteurs tels que (mais pas limité à) poussières de rectification, débris métalliques, laine d'acier, feuilles d'aluminium, ou toute accumulation de particules métalliques doivent être maintenus à distance des orifices du chargeur. Débrancher systématiquement le chargeur lorsque le bloc-piles n'y est pas inséré. Débrancher systématiquement le chargeur avant tout entretien.
- Ne pas congeler ou immerger le chargeur dans l'eau ou tout autre liquide.

## Recommandations de stockage

- Le lieu idéal de rangement est un lieu frais et sec, à l'abri de toute lumière solaire directe et de toute température excessive.
- Pour un stockage prolongé, il est recommandé d'entreposer le bloc-piles pleinement chargé dans un lieu frais et sec, hors du chargeur pour optimiser les résultats.

**REMARQUE :** les blocs-piles ne devraient pas être entreposés complètement déchargés. Il sera nécessaire de recharger le bloc-piles avant réutilisation.

## CONSERVER CES CONSIGNES POUR UTILISATION ULTÉRIEURE

### DESCRIPTION (FIG. A)



**AVERTISSEMENT :** ne jamais modifier l'outil électrique ni aucun de ses composants, car il y a risques de dommages corporels ou matériels.

Reportez-vous en figure A au début de ce manuel pour obtenir la liste complète des composants.

### Usage Prévu

L'outil est conçu pour des applications professionnelles de touillage moyen.

**NE PAS** les utiliser en milieu ambiant humide ou en présence de liquides ou de gaz inflammables.

**NE PAS** le laisser à la portée des enfants. Une supervision est nécessaire auprès de tout utilisateur non expérimenté.

### ASSEMBLAGE ET AJUSTEMENTS



**AVERTISSEMENT :** pour réduire le risque de blessures graves, éteindre l'outil et retirer le débrancher le bloc-piles avant d'effectuer tout réglage et d'enlever ou d'installer tout accessoire. Un démarrage accidentel peut provoquer des blessures.

### Installation et retrait du fer (Fig. D)



**AVERTISSEMENT :** risque de projectiles. Utilisez seulement fers ayant des tiges qui correspondent à la pince installée. Des fers à tiges plus petites ne seront pas sécuritaires et peuvent se desserrer durant l'utilisation.



**ATTENTION :** ne jamais serrer la pince sans d'abord installer un fer de toupie à l'intérieur. Serrer une pince vide, même à la main, peut endommager la pince.

**AVIS :** ne pas utiliser les fers de toupie ayant un diamètre de coupe excédant de 34,9 mm (1-3/8 po) cet outil.

### Pour installer le fer

- Retirez le bloc moteur de l'unité de base. Consultez **Retirer le moteur de la base fixe/Retirer le moteur de la base en plongée** (au besoin).
- Nettoyez et insérez à fond la tige ronde de la fraise à défoncer désirée dans la douille puis retirez-la d'environ 1,6 mm (1/16 po).

## FRANÇAIS

- Appuyez sur le bouton de blocage de l'arbre 7 pour maintenir l'arbre de la broche en place tout en tournant l'écrou de la douille de serrage 22 vers la droite avec la clé fournie à cet effet.

**REMARQUE :** l'appareil est équipé d'un blocage de broche de poupée mobile à détente multiple offrant une méthode supplémentaire de « cliquet manuel » pour resserrer la fraise.

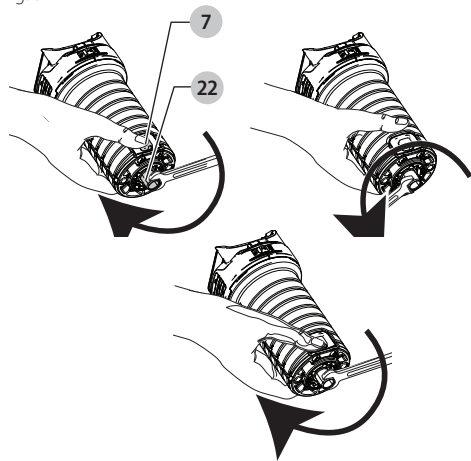
### Pour resserrer avec la méthode de « cliquet manuel » :

- Sans retirer la clé de l'écrou de la douille de serrage 22, relâchez la pression sur le bouton de blocage de l'arbre 7.
- Avec la clé toujours sur l'écrou de la douille de serrage, inversez la direction de serrage pour réinitialiser la position de la clé.
- Réappuyez sur le bouton de blocage de l'arbre et tournez la clé vers la droite.
- Répétez cette procédure jusqu'à ce que l'écrou de la douille de serrage soit serré comme désiré.

**REMARQUE :** Serrez solidement l'écrou de pince de serrage afin d'empêcher le glissement du fer.

**AVIS : base en plongée seulement :** Lorsque vous serrez ou changez les pinces, ne pas laisser les clés entrer en contact avec les tiges en plongée. Si les tiges sont endommagées, le mouvement en plongée sera restreint.

Fig. D



### Pour retirer le fer

- Retirez le bloc moteur de l'unité de base (consultez **Retirer le moteur de la base fixe/Retirer le moteur de la base en plongée**).
- Appuyez sur le bouton de blocage de l'arbre 7 pour maintenir l'arbre de la broche en place tout en tournant l'écrou de la douille de serrage 22 vers la gauche avec la clé fournie à cet effet.

### Pour desserrer avec la méthode de « cliquet manuel » :

- Sans retirer la clé de l'écrou de la douille de serrage 22, relâchez la pression sur le bouton de blocage de l'arbre 7.
- Avec la clé toujours sur l'écrou de la douille de serrage 22, inversez la direction de serrage pour réinitialiser la position de la clé.
- Réappuyez sur le bouton de blocage de l'arbre 7 et tournez la clé vers la gauche.
- Répétez cette procédure jusqu'à ce que l'écrou de la douille de serrage 22 soit assez desserré pour retirer la fraise.

## Douille de serrage

**REMARQUE :** ne jamais serrer la douille sans qu'une fraise à défoncer y soit déjà installée. Le fait de resserrer une douille vide, même manuellement, pourrait l'endommager.

Pour changer de taille de douille, dévissez le dispositif de la douille comme décrit ci-dessus. Installez la douille désirée en inversant la procédure. La douille de serrage et son écrou sont soudés. N'essayez pas de séparer la douille de serrage de son écrou.

## Réglage du levier de verrouillage (Fig. E)

Ne pas exercer de force excessive pour resserrer le levier de verrouillage. Toute force excessive pourrait endommager la base.

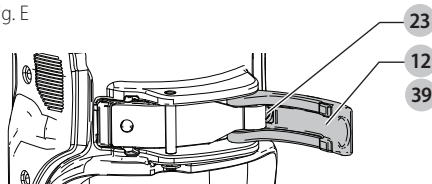
Lorsque le levier de verrouillage est arrimé, le moteur ne devrait pas bouger sur la base.

Un réglage supplémentaire sera nécessaire si le levier de verrouillage ne l'immobilise pas sans utiliser une force excessive ou si le moteur continue de bouger sur la base après arrimage.

### Pour ajuster la force de serrage du levier de verrouillage :

- Ouvrez le levier de verrouillage 12 (base fixe) ou 39 (base en plongée).
- À l'aide d'une clé hexagonale, tournez graduellement la vis de réglage 23 du levier de verrouillage. Tourner la vis vers la droite resserre le levier, alors que tourner la vis vers la gauche le desserre.

Fig. E



## Centrage de la semelle (Fig. A, F1, F2)

Pour tout ajustement, changement ou remplacement de la semelle, il est recommandé d'utiliser un outil de centrage, reportez-vous à la section **Accessoires**. L'outil de centrage consiste en un cône et une gouille.

**Pour ajuster la semelle, suivez la procédure ci-après :**

La Figure F1 montre l'ajustement du socle sur la base fixe et la Figure F2 montre l'ajustement du socle sur la base en plongée.

1. Dévissez, mais sans retirer les vis du socle **24** afin que le socle bouge librement.
2. Insérez la tige dans la pince et serrez l'écrou de pince de la pince.
3. Insérez le moteur dans la base et serrez le levier de verrouillage **12 / 39** sur la base.
4. Placez le cône sur la tige et abaissez légèrement le cône jusqu'à ce qu'il s'arrête. Cela permettra de centrer le socle.
5. Tout en maintenant le cône vers le bas, serrez les vis du socle.

Fig. F1

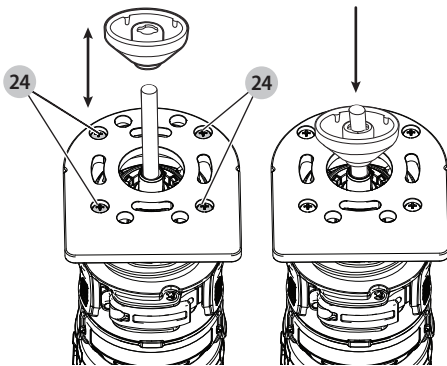
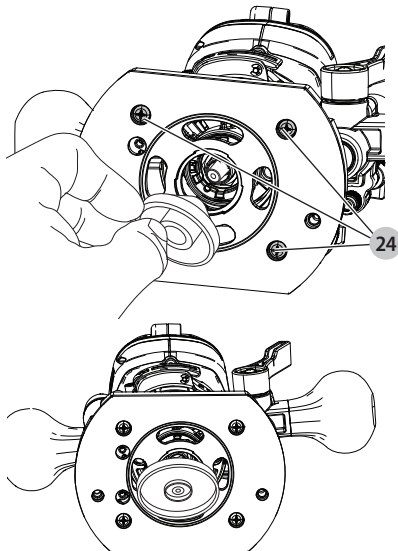


Fig. F2

**Utilisation des guides-gabarits**

La semelle ronde acceptera des guides-gabarits universels. Les accessoires recommandés pour cet outil sont vendus séparément chez les distributeurs locaux ou dans les centres de réparation agréés.

**REMARQUE :** la semelle en D n'a pas été conçue pour accepter des guides-gabarits et doit être utilisée avec des fraises de 34,9 mm (1-3/8 po) de diamètre.

**Utilisation des guides-gabarits :**

1. Centrez la semelle. Reportez-vous à la section **Centrage de la semelle**.
2. Installez le guide-gabarit (accessoire vendu séparément) sur la semelle puis serrez soigneusement.

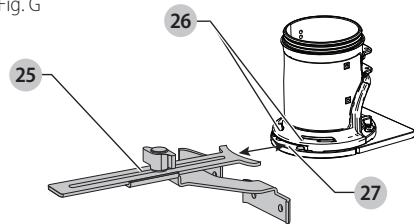
**Installer un guide de bord de base fixe (Fig. G) (inclus sur certains modèles)**

Un guide de bord (modèle DNP618) pour votre base fixe est disponible chez votre détaillant ou centre de services local à un coût supplémentaire.

1. Retirez le bloc moteur de la base fixe. Consultez **Retirer le moteur de la base fixe**.
2. Retirez les vis à tête plate **26** des trous d'entreposage sur le guide de bord.
3. Glissez le guide de bord **25** dans la fente du guide de bord **27** sur le côté de la base fixe (Fig. G). Insérez deux vis à tête plate à travers les trous appropriés dans le socle afin de sécuriser le guide de bord. Serrez le matériel.
4. Suivez toutes les instructions incluses avec le guide de bord.

**REMARQUE :** Pour retirer le guide de bord, inverser la procédure ci-dessus. Après avoir retiré le guide de bord, remplacez toujours les deux vis à tête plate dans les trous d'entreposage sur le guide de bord afin de prévenir une perte..

Fig. G

**Utiliser un guide de bord de première qualité (base en plongée seulement) (inclus sur certains modèles)**

Un guide de bord de première qualité (modèle DW6913) est disponible chez votre détaillant ou centre de services local à un coût supplémentaire. Suivez les instructions d'assemblage incluses avec le guide de bord.

**Installer un guide de bord de base en plongée avec tiges du guide (Fig. H) (inclus avec certains modèles)**

Un guide de bord (modèle DW6913) pour votre base en plongée est disponible chez votre détaillant ou centre de services local à un coût supplémentaire.

## FRANÇAIS

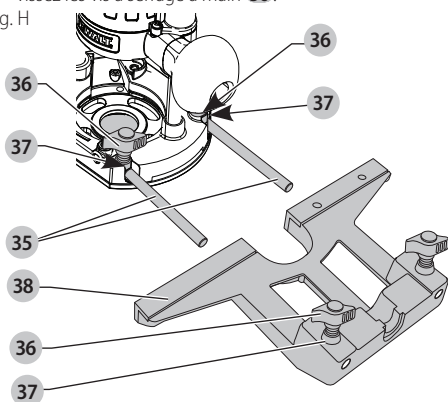
1. Fixez les tiges du guide **35** à la base de la toupie en plongée.
2. Fixez les vis à serrage à main **36** et les ressorts **37** à la base.
3. Vissez les vis à serrage à main **36**.
4. Glissez le guide de bord **38** sur les tiges.
5. Fixez les vis à serrage à main **36** et les ressorts **37** au guide de bord.
6. Vissez les vis à serrage à main temporairement. Consultez **Ajuster le guide de bord**.

### Ajuster le guide de bord (Fig. A, H)

Suivez les instructions d'assemblage incluses avec le guide de bord.

1. Tracez une ligne de coupe sur le matériau.
2. Baissez le chariot de la toupie jusqu'à ce que le couteau entre en contact avec la pièce de travail.
3. Verrouillez le mécanisme de plongée en relâchant le levier de verrouillage en plongée **16**.
4. Placez la toupie sur la ligne de coupe. Le bord de coupe extérieur du couteau coïncide avec la lame de coupe.
5. Glissez le guide de bord **38** contre la pièce de travail et vissez les vis à serrage à main **36**.

Fig. H



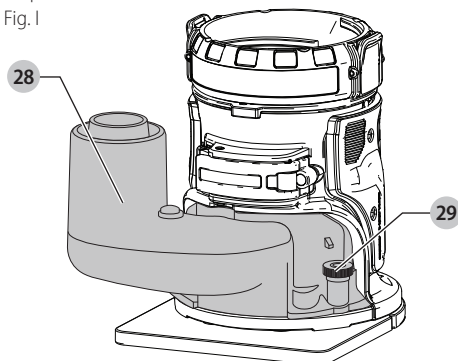
### Fixer un système de dépoussiérage à la base fixe (Fig. I) (inclus sur certains modèles)

Pour connecter la toupie à un système de dépoussiérage pour le dépoussiérage, suivez ces étapes :

1. Retirez le bloc moteur de la base. Consultez **Retirer le moteur de la base fixe**.
2. Fixez l'accessoire du système de dépoussiérage **28** à la base comme illustré. Vissez les vis à serrage à main **29** solidement à la main.
3. Fixez l'adaptateur du tuyau à l'accessoire du système de dépoussiérage.

4. Lorsque vous utilisez l'accessoire du système de dépoussiérage, tenez compte de l'emplacement du système de dépoussiérage. Assurez-vous que le système de dépoussiérage est stable et que son tuyau ne nuira pas au travail.

Fig. I

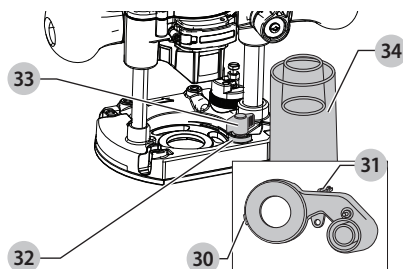


### Fixer un système de dépoussiérage à la base en plongée (Fig. J) (inclus sur certains modèles)

1. Retirez le bloc moteur de la base. Consultez **Retirer le moteur de la base en plongée**.
2. Glissez la languette **30** (intégrée) sur l'accessoire du système de dépoussiérage **34** sur la fente dans la base en plongée et la languette à bouton-pression **31** (intégrée) dans le trou de la base en plongée.
3. Sécurisez à la base avec la rondelle en plastique fournie **32** et la vis à serrage à main **33**. Vissez la vis à serrage à main solidement à la main.
4. Fixez l'adaptateur du tuyau à l'accessoire du système de dépoussiérage.

Lorsque vous utilisez l'accessoire du système de dépoussiérage, tenez compte de l'emplacement du système de dépoussiérage. Assurez-vous que le système de dépoussiérage est stable et que son tuyau ne nuira pas au travail.

Fig. J



## Configuration : base fixe (Fig. A, K, L)

### Insertion du moteur dans la base fixe

1. Ouvrez le levier de verrouillage **12** sur la base.
2. Si la bague de réglage de profondeur **5** n'est pas sur le moteur, vissez la bague de réglage de profondeur **6** sur le moteur jusqu'à ce que la bague soit à mi-chemin entre la partie supérieure et inférieure du moteur, comme illustré. Insérez le moteur dans la base en alignant la rainure sur le moteur **6** sur les tenons de guidage **17** sur la base. Enfoncez le moteur jusqu'à ce que la bague de réglage de profondeur s'enclenche en place.

**REMARQUE :** les rainures des tenons de guidage **9** sont situées de chaque côté du moteur de façon à pouvoir l'orienter de deux façons.

3. Ajustez la profondeur de coupe en tournant la bague de réglage de profondeur. Reportez-vous à la section **Réglage de la profondeur de coupe**.
4. Fermez le levier de verrouillage **12** lorsque la profondeur de coupe désirée est atteinte.

Fig. K

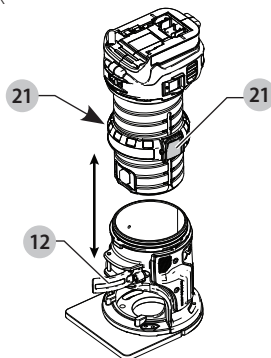
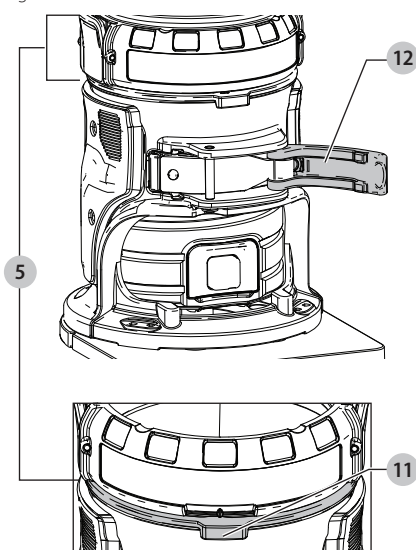


Fig. L



## Réglage de la profondeur de coupe (Fig. L)

1. Ouvrez le levier de verrouillage **12** puis tournez la bague de réglage de profondeur **5** jusqu'à ce que la fraise touche la pièce. Tourner la bague vers la droite élève l'organe de coupe alors que vers la gauche cela l'abaissera.
2. Tournez l'échelle de réglage de précision **11** vers la droite jusqu'à ce que le 0 sur l'échelle s'aligne sur le pointeur à l'extrémité de la bague de réglage de profondeur.
3. Tournez la bague de réglage de profondeur jusqu'à ce que le pointeur s'aligne sur la profondeur de coupe désirée indiquée sur l'échelle de réglage de précision **11**.

**REMARQUE :** chaque repère sur l'échelle réglable représente un changement de profondeur de 0,4 mm (1/64 po ou 0,015 po) et un tour complet (360°) de la bague change la profondeur de 12,7 mm (0,5 po).

4. Refermez le levier de verrouillage **12** pour verrouiller la base.

### Retirer le moteur de la base fixe (Fig. K)

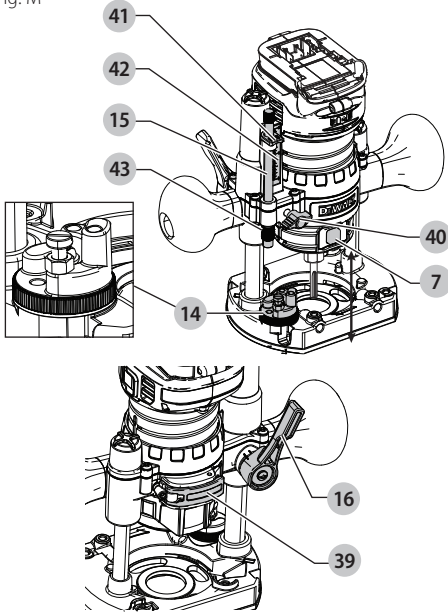
1. Retirez le bloc-piles du moteur. Consultez **Installer et retirer le bloc-piles**.
2. Ouvrez le levier de verrouillage **12** sur la base.
3. Saisissez le bloc moteur avec une main en appuyant sur les deux languettes de libération rapide **21**.
4. Avec l'autre main, saisissez la base et retirez le moteur de la base.

## Réglage : Base en plongée (Fig. A, M)

### Insérer le moteur dans la base en plongée

1. Retirez l'anneau d'ajustement de la profondeur **5** du moteur **6**. Il n'est pas utilisé avec la base en plongée.  
**REMARQUE :** Enclenchez l'anneau d'ajustement de la profondeur, lorsqu'il n'est pas utilisé, afin de prévenir une perte.
2. Ouvrez le levier de verrouillage de la base en plongée **39**.
3. En vous assurant que le bouton de verrouillage de la tige est orienté vers l'avant, insérez le moteur **6** dans la base en alignant la rainure sur le moteur avec les tiges de guidage **17** sur la base. Glissez le moteur vers le bas jusqu'à ce que le moteur s'arrête sur la butée du moteur **19**.
4. Déverrouillez le levier de verrouillage **39**.

Fig. M



**Ajuster la profondeur de toupillage en plongée (Fig. M)**

**⚠ AVERTISSEMENT : risque de laceration. Ne pas changer la butée de tourelle pendant que la toupie fonctionne.** Cela placera vos mains trop près de la tête de coupe.

**⚠ AVERTISSEMENT : afin de prévenir la perte de contrôle, serrez TOUJOURS ensemble les écrous limitant le déplacement.** Un mouvement involontaire pourrait empêcher le retrait complet du fer.

**⚠ AVERTISSEMENT : afin de prévenir une perte de contrôle, réglez les écrous limitant le déplacement afin que le fer puisse être retiré de la base de la toupie, à l'écart de la pièce de travail.**

**⚠ AVERTISSEMENT : afin de réduire le risque de blessures, NE JAMAIS ajuster ou retirer l'écrou de la butée.** Le moteur peut se dégager entraînant une perte de contrôle.

**⚠ ATTENTION : mettez la toupie en marche avant de plonger la tête de coupe dans la pièce de travail.**

1. Déverrouillez le mécanisme de plongée en tirant sur le levier de verrouillage en plongée **16**. Poussez doucement sur les deux poignées pour plonger la toupie vers le bas aussi loin qu'elle peut aller, laissant le fer toucher effleurer la pièce de travail.
2. Reverrouillez le mécanisme de plongée en libérant le levier de verrouillage de plongée **16**.
3. Desserrez la tige de réglage de profondeur **15** en tournant la vis à serrage manuel **40** vers la gauche.

4. Poussez la tige de réglage de profondeur **15** vers le bas jusqu'à la butée de tourelle **14** la plus basse.
5. Poussez vers le bas la languette de réglage du zéro **41** sur la tige de réglage de profondeur de façon à ce que sa partie supérieure soit à la hauteur du zéro de l'échelle de réglage de profondeur **42**.
6. Attrapez la partie supérieure, saillante, de la tige de réglage de profondeur **15** et poussez-la vers le haut de façon à ce que la languette **41** s'aligne sur la profondeur de coupe désirée sur l'échelle de réglage de profondeur **42**.
7. Resserrez la vis à serrage manuel **40** pour maintenir la tige de réglage de profondeur en place.
8. En gardant les deux mains sur les poignées, déverrouillez le mécanisme de plongée en rabattant le levier de verrouillage de plongée **16**. Le mécanisme de plongée et le moteur s'élèveront. Lorsque la toupie sera abaissée, la tige de réglage de profondeur rencontrera la butée de tourelle, permettant ainsi à la toupie de s'arrêter exactement à la profondeur désirée.

**Utilisation de la tourelle rotative pour effectuer des coupes échelonnées (Fig. M)**

Si la profondeur de coupe désirée ne peut se faire en un seul passage, tournez la tourelle de façon à ce que la tige de profondeur **15** s'aligne tout d'abord sur la butée de tourelle la plus haute. Après chaque passage, tournez la tourelle de façon à ce que la butée de profondeur s'aligne sur une tige plus courte jusqu'à atteindre la profondeur de coupe désirée.

**⚠ AVERTISSEMENT : ne pas déplacer la butée de tourelle alors que la toupie tourne.** Cela rapprocherait vos mains trop près de l'organe de coupe.

**Reglage de précision de la profondeur de coupe (Fig. M)**

Le bouton moleté **43** à l'extrémité de la tige de réglage de profondeur peut être utilisé pour effectuer des réglages mineurs.

1. Pour diminuer la profondeur de coupe, tournez le bouton vers la droite (si l'on regarde la toupie du haut vers le bas).
2. Pour augmenter la profondeur de coupe, tournez le bouton vers la gauche (si l'on regarde la toupie du haut vers le bas).

**REMARQUE :** un tour complet du bouton modifiera la profondeur d'environ 1 mm (5/128 po ou 0,04 po).

**Retirer le moteur de la base en plongée (Fig. M)**

1. Retirez le bloc-piles du moteur. Consultez *Installer et retirer le bloc-piles*.
2. Ouvrez le levier de verrouillage **39** sur la base.
3. Saisissez le bloc moteur avec une main et la base avec l'autre main, sortez le moteur de la base en plongée.



## UTILISATION

**⚠** **AVERTISSEMENT** : pour réduire le risque de blessures graves, éteindre l'outil et retirer le débrancher le bloc-piles avant d'effectuer tout réglage et d'enlever ou d'installer tout accessoire. Un démarrage accidentel peut provoquer des blessures.

### Installation et retrait du bloc-piles

(Fig. N)

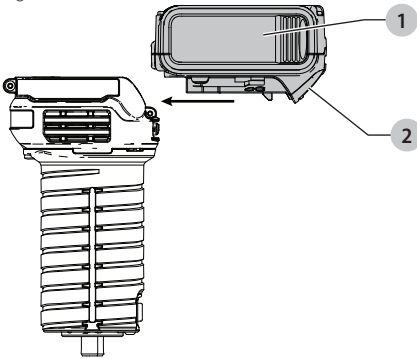
**⚠** **ATTENTION** : avant d'insérer la pile, vérifiez si le bouton est en position ARRÊT. Un démarrage accidentel peut causer des blessures.

**REMARQUE** : pour des résultats optimaux, s'assurer que le bloc-piles est complètement chargé.

Pour installer le bloc-piles 1 dans la poignée de l'outil, alignez le bloc-piles sur les rails dans la poignée de l'outil et faites-le glisser fermement en place puis vérifiez qu'il ne s'en détachera pas.

Pour retirer le bloc-piles de l'outil, poussez sur le bouton de libération 2 et tirez fermement le bloc-piles hors de la poignée de l'outil. Insérez-le dans son chargeur comme décrit dans la section appropriée de ce manuel.

Fig. N



### Position correcte des mains (Fig. A, O, P)

**⚠** **AVERTISSEMENT** : pour réduire tout risque de dommages corporels graves, adopter **SYSTÉMATIQUEMENT** la position des mains illustrée.

**⚠** **AVERTISSEMENT** : pour réduire tout risque de dommages corporels graves, maintenir **SYSTÉMATIQUEMENT** l'outil fermement pour anticiper toute réaction soudaine.

Lorsque vous utilisez la base fixe, une main doit être sur le dessus de la pile et l'autre main autour de la base fixe (Fig. O). Lorsque vous utilisez la base en plongée, saisissez solidement les poignées latérales 18 (Fig. A) comme illustré dans Fig. P.

Fig. O

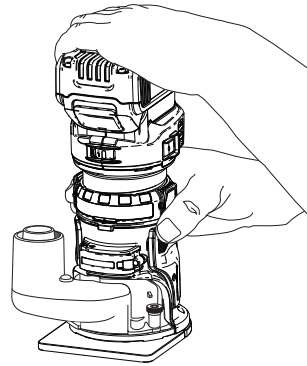
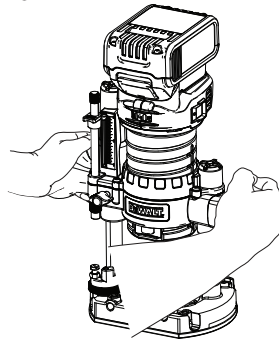


Fig. P



### Démarrer et éteindre le moteur (Fig. A, N)

**⚠** **ATTENTION** : avant de démarrer l'outil, retirez tous les objets étrangers de la zone de travail. De plus, saisissez fermement l'outil pour résister au couple de démarrage.

**⚠** **ATTENTION** : afin d'éviter une blessure corporelle et/ou d'endommager le travail terminé, laissez toujours l'outil électrique S'ARRÊTER COMPLÈTEMENT avant de déposer l'outil.

Pour mettre l'outil en marche, appuyez sur le côté du bouton 3 protégé contre la poussière ayant le symbole « I ». Pour éteindre l'outil, appuyez sur le côté du bouton ayant le symbole « O ».

### Couper avec la base fixe

Réglez la toupie pour utiliser la base fixe en suivant les instructions dans la section **Assemblage et ajustements**.

Une fois la toupie réglée, installez le bloc-piles comme illustré dans la Fig. N, puis réglez la vitesse de votre toupie (consultez **Choisir la vitesse de la toupie**).

**REMARQUE** : Alimentez toujours la toupie dans le sens opposé dans lequel le couteau tourne.

### Couper avec la base fixe (Fig. A, P)

**REMARQUE** : La profondeur de la coupe est verrouillée dans l'état par défaut de la base en plongée. Le verrouillage en plongée nécessite une activation de l'utilisateur afin d'activer le mécanisme de plongée « relâcher à verrouiller ».

## FRANÇAIS

**REMARQUE :** Saisissez les deux poignées latérales **18** pendant l'utilisation.

1. Appuyez sur le levier de verrouillage de plongée **16** et abaissez la toupie jusqu'à ce que la fraise atteigne la profondeur désirée.
2. Relâchez le levier de verrouillage de plongée **16** lorsque la profondeur de coupe désirée est atteinte.  
**REMARQUE :** le fait de relâcher le levier de verrouillage de plongée verrouillera automatiquement le moteur.  
**REMARQUE :** si une force additionnelle est nécessaire, utiliser la main pour appuyer sur le levier de verrouillage de plongée.
3. Effectuez la coupe.
4. Le fait de pousser sur le levier de verrouillage de plongée désactivera le mécanisme de verrouillage permettant ainsi à la fraise à défoncer de sortir de la pièce.
5. Arrêtez la toupie.

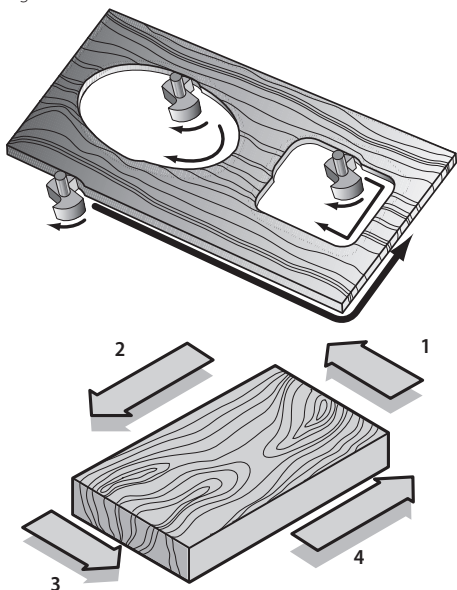
## Direction de l'alimentation (Fig. Q)

La direction d'alimentation est très importante avec une toupie et peut faire la différence quant à la réussite ou au gâchis d'un projet. Les figures illustrent la bonne direction d'alimentation pour certaines coupes typiques. En règle générale, déplacez la toupie vers la gauche pour une coupe externe et vers la droite pour une coupe interne.

**Pour façonner les bords externes d'un morceau de bois, suivez la procédure ci-après :**

1. Façonnez le fil d'extrémité de la gauche vers la droite.
2. Façonnez le côté fil droit en allant de la gauche vers la droite.
3. Coupez ensuite l'autre fil d'extrémité.
4. Terminez la bordure restante de fil droit.

Fig. Q



## Sélection de la vitesse de la toupie (Fig. A)

Reportez-vous au **Tableau de sélection de la vitesse** pour choisir la vitesse de la toupie. Tournez le variateur de vitesse **4** pour contrôler la vitesse de la toupie.

### Function démarrage en douceur

Les toupies compactes sont équipées d'une fonction électronique permettant le démarrage en douceur pour minimiser le couple de démarrage du moteur.

### Régulateur automatique de vitesse (Fig. A)

**AVERTISSEMENT :** si le contrôle de la vitesse cesse de fonctionner ou s'il est intermittent, cessez immédiatement d'utiliser l'outil. Apportez-la dans un centre de services autorisé de l'usine DeWALT ou un centre de services autorisé DeWALT pour la faire réparer.

**AVERTISSEMENT :** suivez toujours les recommandations de vitesse du fabricant du fer puisque certaines conceptions de fers nécessitent des vitesses spécifiques pour la sécurité ou la performance. Si vous n'êtes pas certains de la vitesse appropriée ou si vous avez tout type de problèmes, contactez le fabricant du fer.

Cette toupie est munie d'une échelle de vitesse **4** ayant 7 vitesses entre 16000 et 25500 tr/min. Ajustez la vitesse en tournant l'échelle de vitesse **4**.

**AVIS :** a toupie est munie de composants électroniques pour surveiller et maintenir la vitesse de l'outil pendant la coupe. En vitesse réduite ou moyenne, le régulateur automatique de vitesse évite que la vitesse du moteur tombe. Si vous vous attendez à percevoir un changement de vitesse, et continuez à pousser le moteur, cela pourra le faire surchauffer et l'endommager. Réduisez la profondeur de coupe et/ou ralentissez la vitesse d'alimentation pour prévenir tout dommage matériel.

Les toupies compactes sont équipées d'une fonction électronique pour contrôler et maintenir la vitesse de l'outil lors de la coupe.

TABLEAU DE SÉLECTION DE VITESSE\*

RÉGLAGE CADRAN	R/MIN APPROX.	UTILISATION
1	16000	Fraises et forets de large diamètre
2	17500	
3	19100	
4	20700	Fraises et forets de diamètre réduit. Bois tendres, plastiques, laminés.
5	22300	
6	23900	
7	25500	

\*Les vitesses dans ce tableau sont approximatives et seulement à titre de référence. Votre toupie peut ne pas produire exactement la vitesse indiquée le réglage de l'échelle.

**REMARQUE :** pour améliorer la qualité, effectuez la coupe en plusieurs passages.

## Lampes de travail (Fig. A)

Les lampes de travail **10** sont situées à l'avant du moteur **6**. Pour allumer les lampes de travail, appuyez sur le bouton Marche/Arrêt **3**. Les lampes de travail demeureront allumées pendant 20 secondes après que vous ayez déplacé le bouton Marche/Arrêt en position Arrêt.

**REMARQUE :** Les lampes de travail sont pour éclairer la surface de travail immédiate et ne sont pas conçues pour être utilisées comme une lampe de poche.

**REMARQUE :** Si les lampes de travail clignotent, vérifiez la charge de la pile : elle pourrait être basse. Si elles clignotent encore une fois la pile chargée, l'outil doit être apporté dans un centre de services pour une évaluation.

## MAINTENANCE



**AVERTISSEMENT :** pour réduire le risque de blessures graves, éteindre l'outil et retirer le débrancher le bloc-piles avant d'effectuer tout réglage et d'enlever ou d'installer tout accessoire. Un démarrage accidentel peut provoquer des blessures.

## Nettoyage



**AVERTISSEMENT :** enlever les saletés et la poussière hors des événements au moyen d'air comprimé propre et sec, au moins une fois par semaine. Pour minimiser le risque de blessure aux yeux, toujours porter une protection oculaire conforme à la norme ANSI Z87.1 lors du nettoyage.



**AVERTISSEMENT :** ne jamais utiliser de solvants ni d'autres produits chimiques puissants pour nettoyer les pièces non métalliques de l'outil. Ces produits chimiques peuvent affaiblir les matériaux de plastique utilisés dans ces pièces. Utiliser un chiffon humecté uniquement d'eau et de savon doux. Ne jamais laisser de liquide pénétrer dans l'outil et n'immerger aucune partie de l'outil dans un liquide.

### REMARQUE POUR BASE EN PLONGÉE SEULEMENT :

Utilisez seulement un linge SEC pour essuyer les tiges en plongées. Ces tiges ne nécessitent aucune lubrification. Les lubrifiants attirent la poussière, réduisant la performance de votre outil.

## Cirage du moteur et de la base

Pour faciliter la mobilité du bloc-moteur par rapport à la base, l'extérieur du bloc-moteur et l'intérieur de la base peuvent être cirés à l'aide d'une cire en pâte ou liquide standard. Conformément aux instructions du fabricant, cirez le diamètre externe du bloc-moteur et le diamètre interne de la base. Laissez la cire sécher puis éliminez tout résidu avec un chiffon doux.

## Accessoires



**AVERTISSEMENT :** puisque les accessoires autres que ceux offerts par DeWALT n'ont pas été testés avec ce produit, leur utilisation pourrait s'avérer dangereuse. Pour réduire le risque de blessures, utiliser exclusivement les accessoires DeWALT recommandés avec le présent produit.

Les accessoires recommandés pour cet outil sont vendus séparément au centre de service de votre région. Pour obtenir de l'aide concernant l'achat d'un accessoire, communiquer avec DeWALT Industrial Tool Co., 701 East Joppa Road, Towson, MD 21286 aux États-Unis; composer le 1 800 433-9258 (1 800 4-DeWALT) ou visiter notre site Web : [www.dewalt.com](http://www.dewalt.com).

## Réparations

Le chargeur et le bloc-piles ne sont pas réparables.



**AVERTISSEMENT :** pour assurer la SÉCURITÉ et la FIABILITÉ du produit, les réparations, l'entretien et les réglages doivent être réalisés (cela comprend l'inspection et le remplacement du balai, le cas échéant) par un centre de réparation en usine DeWALT ou un centre de réparation agréé DeWALT. Toujours utiliser des pièces de rechange identiques.

## Registre en ligne

Merci pour votre achat. Enregistrez dès maintenant votre produit :

- **RÉPARATIONS SOUS GARANTIE:** cette carte remplie vous permettra de vous prévaloir du service de réparations sous garantie de façon plus efficace dans le cas d'un problème avec le produit.
- **CONFIRMATION DE PROPRIÉTÉ:** en cas de perte provoquée par un incendie, une inondation ou un vol, cette preuve de propriété vous servira de preuve auprès de votre compagnie d'assurances.
- **SÉCURITÉ:** l'enregistrement de votre produit nous permettra de communiquer avec vous dans l'éventualité peu probable de l'envoi d'un avis de sécurité régi par la loi fédérale américaine de la protection des consommateurs.

Registre en ligne à [www.dewalt.com/register](http://www.dewalt.com/register).

## Garantie limitée de trois ans

DeWALT réparera, sans frais, tout produit défectueux causé par un défaut de matériel ou de fabrication pour une période de trois ans à compter de la date d'achat. La présente garantie ne couvre pas les pièces dont la défectuosité a été causée par une usure normale ou l'usage abusif de l'outil. Pour obtenir de plus amples renseignements sur les pièces ou les réparations couvertes par la présente garantie, visiter le site [www.dewalt.com](http://www.dewalt.com) ou composer le 1 800 433-9258 (1 800 4-DeWALT). CETTE GARANTIE LIMITÉE REMPLACE TOUTE AUTRE GARANTIE, Y COMPRIS TOUTE GARANTIE IMPLICITE DE QUALITÉ MARCHANDE OU DE CONFORMITÉ À DES FINS PARTICULIÈRES, ET EXCLUT TOUT DOMMAGE ACCESSOIRE OU INDIRECT. Certains états n'autorisent aucune limitation quant à la durée d'une garantie implicite ni aucune exclusion ou limitation de garantie contre tout préjudice accessoire ou indirect, aussi il se peut que ces exclusions ne vous soient pas applicables. Cette garantie confère des droits légaux particuliers à l'acheteur, mais celui-ci pourrait aussi bénéficier d'autres droits variant d'un territoire à l'autre.

## FRANÇAIS

En plus de la présente garantie, les outils DeWALT sont couverts par notre :

### CONTRAT D'ENTRETIEN GRATUIT D'UN AN

DeWALT entretiendra l'outil et remplacera les pièces usées au cours d'une utilisation normale et ce, gratuitement, pendant une période d'un an à compter de la date d'achat.

### CONTRAT D'ENTRETIEN GRATUIT DE DEUX ANS SUR LES BLOC-PILES DeWALT

DC9071, DC9091, DC9096, DC9182, DC9280, DC9360, DCB120, DCB127, DCB201, DCB203BT, DCB207, DCB361

### CONTRAT D'ENTRETIEN GRATUIT DE TROIS ANS SUR LES BLOC-PILES DeWALT

DCB200, DCB203, DCB204, DCB204BT, DCB205, DCB205BT, DCB206, DCB230, DCB606, DCB609

**REMARQUE :** La garantie de se produit sera annulée si le bloc-piles a été altéré de quelque façon que ce soit. DeWALT ne peut être tenu responsable de tout dommage corporel causé par l'altération du produit et pourra poursuivre toute fraude en matière de garantie dans toute l'étendue permise par la loi.

### GARANTIE DE REMBOURSEMENT DE 90 JOURS

Si l'acheteur n'est pas entièrement satisfait, pour quelque raison que ce soit, du rendement de l'outil électrique, du laser ou de la cloueuse DeWALT, celui-ci peut le retourner, accompagné d'un reçu, dans les 90 jours à compter de la date d'achat pour obtenir un remboursement intégral, sans aucun problème.

**AMÉRIQUE LATINE :** cette garantie ne s'applique aux produits vendus en Amérique latine. Pour ceux-ci, veuillez consulter les informations relatives à la garantie spécifique présente dans l'emballage, appeler l'entreprise locale ou consulter le site Web pour les informations relatives à cette garantie.

### REMPACEMENT GRATUIT DES ÉTIQUETTES

**D'AVERTISSEMENT :** si les étiquettes d'avertissement deviennent illisibles ou sont manquantes, composer le 1 800 433-9258 (1 800 4-DeWALT) pour en obtenir le remplacement gratuit.

## Definiciones: Símbolos y Palabras de Alerta de Seguridad

Este manual de instrucciones utiliza los siguientes símbolos y palabras de alerta de seguridad para alertarle de situaciones peligrosas y del riesgo de lesiones corporales o daños materiales.



**PELIGRO:** Indica una situación de peligro inminente que, si no se evita, provocará **la muerte o lesiones graves**.



**ADVERTENCIA:** Indica una situación de peligro potencial que, si no se evita, **podría provocar la muerte o lesiones graves**.



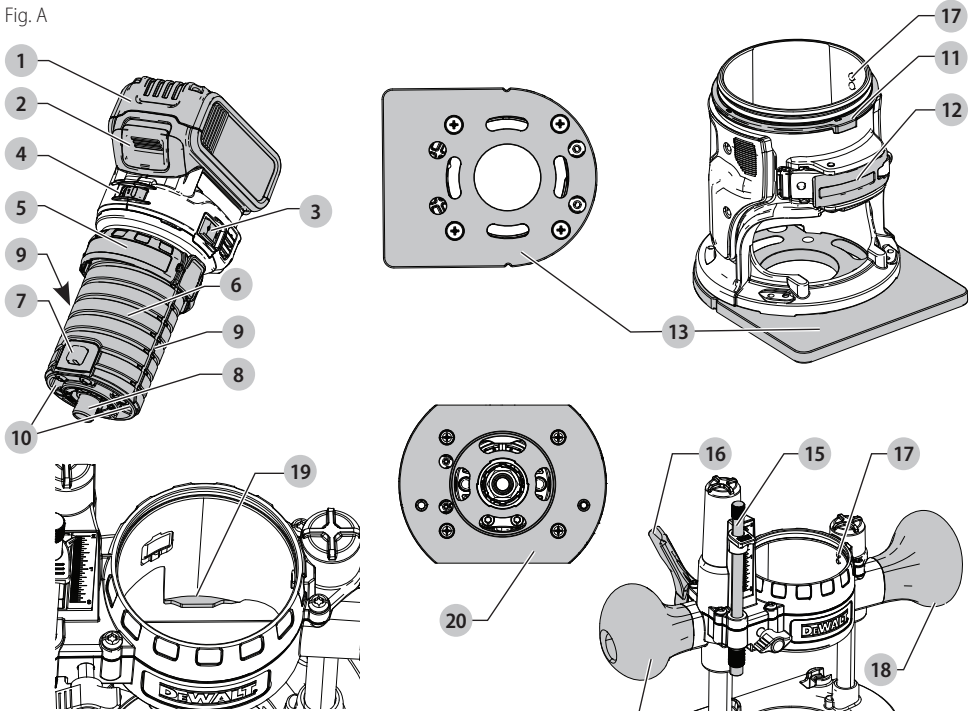
**ATENCIÓN:** Indica una situación de peligro potencial que, si no se evita, **posiblemente provocaría lesiones leves o moderadas**.



(Utilizado sin palabras) indica un mensaje de seguridad relacionado.

**AVISO:** Se refiere a una práctica **no relacionada a lesiones corporales** que de no evitarse **puede resultar en daños a la propiedad**.

Fig. A



- |  |                                       |
|--|---------------------------------------|
| 1 Paquete de batería                     | 11 Escala de micro-ajuste             |
| 2 Botón de liberación de batería         | 12 Palanca de bloqueo                 |
| 3 Interruptor On/Off (Encendido/Apagado) | 13 Base secundaria en forma de D      |
| 4 Carátula de velocidad variable         | 14 Tope de torreta                    |
| 5 Anillo de ajuste de profundidad        | 15 Varilla de ajuste de profundidad   |
| 6 Motor                                  | 16 Palanca de bloqueo de caída        |
| 7 Botón de bloqueo de husillo            | 17 Pasadores guía                     |
| 8 Husillo                                | 18 Manijas laterales de base de caída |
| 9 Ranura de pasador guía                 | 19 Tope de motor                      |
| 10 Luces de trabajo                      | 20 Base secundaria de caída           |



**ADVERTENCIA:** Lea todas las advertencias de seguridad e instrucciones. El incumplimiento de las advertencias e instrucciones puede provocar descargas eléctricas, incendios o lesiones graves.



**ADVERTENCIA:** Para reducir el riesgo de lesiones, lea el manual de instrucciones.

Si tiene alguna duda o algún comentario sobre ésta u otra herramienta DEWALT, llámenos al número gratuito: 1-800-4-DEWALT (1-800-433-9258).

## ADVERTENCIAS GENERALES DE SEGURIDAD PARA HERRAMIENTAS ELÉCTRICAS



**ADVERTENCIA:** Lea todas las advertencias de seguridad, instrucciones, ilustraciones y especificaciones incluidas con esta herramienta eléctrica. La falla en seguir todas las instrucciones siguientes puede resultar en descarga eléctrica, incendio y/o lesiones serias.

### CONSERVE TODAS LAS ADVERTENCIAS E INSTRUCCIONES PARA FUTURAS CONSULTAS

El término "herramienta eléctrica" incluido en las advertencias hace referencia a las herramientas eléctricas operadas con corriente (con cable eléctrico) o a las herramientas eléctricas operadas con baterías (inalámbricas).

#### 1) Seguridad en el Área de Trabajo

- a) **Mantenga el área de trabajo limpia y bien iluminada.** Las áreas abarrotadas y oscuras propician accidentes.
- b) **No opere las herramientas eléctricas en atmósferas explosivas, como ambientes donde haya polvo, gases o líquidos inflamables.** Las herramientas eléctricas originan chispas que pueden encender el polvo o los vapores.
- c) **Mantenga alejados a los niños y a los espectadores de la herramienta eléctrica en funcionamiento.** Las distracciones pueden provocar la pérdida de control.

#### 2) Seguridad Eléctrica

- a) **Los enchufes de la herramienta eléctrica deben adaptarse al tomacorriente. Nunca modifique el enchufe de ninguna manera. No utilice ningún enchufe adaptador con herramientas eléctricas con conexión a tierra.** Los enchufes no modificados y que se adaptan a los tomacorrientes reducirán el riesgo de descarga eléctrica.
- b) **Evite el contacto corporal con superficies con descargas a tierra como, por ejemplo, tuberías, radiadores, cocinas eléctricas y refrigeradores.** Existe mayor riesgo de descarga eléctrica si su cuerpo está puesto a tierra.
- c) **No exponga las herramientas eléctricas a la lluvia o a condiciones de humedad.** Si entra agua a una herramienta eléctrica, aumentará el riesgo de descarga eléctrica.
- d) **No maltrate el cable. Nunca utilice el cable para transportar, tirar o desenchufar la herramienta eléctrica. Mantenga el cable alejado del calor, el aceite, los bordes filosos y las piezas móviles.** Los cables dañados o enredados aumentan el riesgo de descarga eléctrica.
- e) **Al operar una herramienta eléctrica en el exterior, utilice un cable prolongador adecuado para tal uso.** Utilice un cable adecuado para uso en exteriores a fin de reducir el riesgo de descarga eléctrica.

- f) **Si el uso de una herramienta eléctrica en un lugar húmedo es imposible de evitar, utilice un suministro protegido con un interruptor de circuito por falla a tierra (GFCI).** El uso de un GFCI reduce el riesgo de descargas eléctricas.

#### 3) Seguridad Personal

- a) **Permanezca alerta, controle lo que está haciendo y utilice el sentido común cuando opere una herramienta eléctrica. No utilice una herramienta eléctrica si está cansado o bajo el efecto de drogas, alcohol o medicamentos.** Un momento de descuido mientras se opera una herramienta eléctrica puede provocar lesiones personales graves.
- b) **Utilice equipos de protección personal. Siempre utilice protección para los ojos.** En las condiciones adecuadas, el uso de equipos de protección, como máscaras para polvo, calzado de seguridad antideslizante, cascos o protección auditiva, reducirá las lesiones personales.
- c) **Evite el encendido por accidente. Asegúrese de que el interruptor esté en la posición de apagado antes de conectarlo a la fuente de energía o paquete de baterías, o antes de levantar o transportar la herramienta.** Transportar herramientas eléctricas con el dedo apoyado en el interruptor o enchufar herramientas eléctricas con el interruptor en la posición de encendido puede propiciar accidentes.
- d) **Retire la clavija de ajuste o la llave de tuercas antes de encender la herramienta eléctrica.** Una llave de tuercas o una clavija de ajuste que quede conectada a una pieza giratoria de la herramienta eléctrica puede provocar lesiones personales.
- e) **No se estire. Conserve el equilibrio y párese adecuadamente en todo momento.** Esto permite un mejor control de la herramienta eléctrica en situaciones inesperadas.
- f) **Use la vestimenta adecuada. No use ropas holgadas ni joyas. Mantenga el cabello, la ropa y los guantes alejados de las piezas en movimiento.** Las ropas holgadas, las joyas o el cabello largo pueden quedar atrapados en las piezas en movimiento.
- g) **Si se suministran dispositivos para la conexión de accesorios con fines de recolección y extracción de polvo, asegúrese de que estén conectados y que se utilicen correctamente.** El uso de dispositivos de recolección de polvo puede reducir los peligros relacionados con el polvo.
- h) **No permita que la familiaridad obtenida a partir del uso frecuente de herramientas le permitan volverse descuidado e ignorar los principios de seguridad de la herramienta.** Una acción descuidada puede causar lesiones severas en una fracción de segundo.

#### 4) Uso y Mantenimiento de la Herramienta Eléctrica

- a) **No fuerce la herramienta eléctrica. Utilice la herramienta eléctrica correcta para el trabajo que realizará.** Si se la utiliza a la velocidad para la que fue diseñada, la herramienta eléctrica correcta permite trabajar mejor y de manera más segura.
- b) **No utilice la herramienta eléctrica si no puede encenderla o apagarla con el interruptor.** Toda herramienta eléctrica que no pueda ser controlada mediante el interruptor es peligrosa y debe repararse.
- c) **Desconecte el enchufe de la fuente de alimentación y/o retire la batería, o paquete si es desmontable, de la herramienta eléctrica antes de realizar cualquier ajuste, cambiar accesorios o almacenar herramientas eléctricas.** Estas medidas de seguridad preventivas reducen el riesgo de encender la herramienta eléctrica en forma accidental.
- d) **Guarde la herramienta eléctrica que no esté en uso fuera del alcance de los niños y no permita que otras personas no familiarizadas con ella o con estas instrucciones operen la herramienta.** Las herramientas eléctricas son peligrosas si son operadas por usuarios no capacitados.
- e) **Dé mantenimiento a las herramientas eléctricas y accesorios. Revise que no haya piezas en movimiento mal alineadas o trabadas, piezas rotas o cualquier otra situación que pueda afectar el funcionamiento de la herramienta eléctrica. Si encuentra daños, haga reparar la herramienta eléctrica antes de utilizarla.** Se producen muchos accidentes a causa de las herramientas eléctricas que carecen de un mantenimiento adecuado.
- f) **Mantenga las herramientas de corte afiladas y limpias.** Las herramientas de corte con mantenimiento adecuado y con los bordes de corte afilados son menos propensas a trabarse y son más fáciles de controlar.
- g) **Utilice la herramienta eléctrica, los accesorios y las brocas de la herramienta, etc. de acuerdo con estas instrucciones y teniendo en cuenta las condiciones de trabajo y el trabajo que debe realizarse.** El uso de la herramienta eléctrica para operaciones diferentes de aquéllas para las que fue diseñada podría originar una situación peligrosa.
- h) **Mantenga las manijas y superficies de sujeción secas, limpias y libres de aceite y grasa.** Las manijas y superficies de sujeción resbalosas no permiten el manejo y control seguros de la herramienta en situaciones inesperadas.

#### 5) Uso y Mantenimiento de la Herramienta con Baterías

- a) **Recargue solamente con el cargador especificado por el fabricante.** Un cargador

adecuado para un tipo de paquete de baterías puede originar riesgo de incendio si se utiliza con otro paquete de baterías.

- b) **Utilice herramientas eléctricas sólo con paquetes de baterías específicamente diseñados.** El uso de cualquier otro paquete de baterías puede producir riesgo de incendio y lesiones.
- c) **Cuando no utilice el paquete de baterías, manténgalo lejos de otros objetos metálicos como sujetapapeles, monedas, llaves, clavos, tornillos u otros objetos metálicos pequeños que puedan realizar una conexión desde un terminal al otro.** Los cortocircuitos en los terminales de la batería pueden provocar quemaduras o incendio.
- d) **En condiciones abusivas, el líquido puede ser expulsado de la batería. Evite su contacto. Si entra en contacto accidentalmente, enjuague con agua. Si el líquido entra en contacto con los ojos, busque atención médica.** El líquido expulsado de la batería puede provocar irritación o quemaduras.
- e) **No use un paquete de batería o herramienta que estén dañados o modificados.** Las baterías dañadas o modificadas pueden presentar un comportamiento impredecible que resulte en incendios, explosión o riesgo de lesiones.
- f) **No exponga un paquete de batería o una herramienta a fuego o temperatura excesiva.** La exposición a fuego o temperaturas mayores a 130 °C (265 °F) pueden causar una explosión.
- g) **Siga todas las instrucciones de carga y no cargue el paquete de batería o la herramienta fuera del rango de temperatura especificado en las instrucciones.** Cargar inadecuadamente o en una temperatura fuera del rango de temperatura especificado puede dañar la batería e incrementar el riesgo de incendio.

#### 6) Mantenimiento

- a) **Solicite a una persona calificada en reparaciones que realice el mantenimiento de su herramienta eléctrica y que sólo utilice piezas de repuesto idénticas.** Esto garantizará la seguridad de la herramienta eléctrica.
- b) **Nunca dé servicio a paquetes de batería dañados.** El servicio de paquetes de batería sólo debe ser realizado por el fabricante o proveedores de servicio autorizados.

#### Reglas de Seguridad Adicionales para Routers

- **Sostenga la herramienta eléctrica por las superficies de sujeción aisladas, cuando realice una operación en la que el accesorio de corte pueda hacer contacto con cableado oculto.** Los accesorios de corte que hagan contacto con cable "vivo" pueden tener partes de metal expuestas de la herramienta eléctrica "viva" y podrían dar al operador una descarga eléctrica.

## ESPAÑOL

- **Use abrazaderas u otra manera práctica para asegurar y soportar la pieza de trabajo a una plataforma estable.** *Sostener el trabajo a mano o contra su cuerpo lo hace inestable y puede guiar a la pérdida de control.*
- **NO corte metal.**
- **Mantenga las manijas y superficies de sujeción secas, limpias y libres de aceite y grasa.** *Esto permitirá un mejor control de la herramienta.*
- **Mantenga el agarre firme con ambas manos en la herramienta para resistir el par de arranque.** *Mantenga un agarre firme sobre la herramienta en todo momento durante la operación.*
- **Siempre siga las recomendaciones de velocidad del fabricante de las brocas, ya que algunos diseños de broca requieren velocidades específicas por seguridad o desempeño.** *Si no está seguro de la velocidad adecuada o está experimentando algún tipo de problema, póngase en contacto con el fabricante de la broca.*
- **Mantenga las manos alejadas del área de corte por encima y por debajo de la base. Nunca se estire debajo de la pieza de trabajo por ningún motivo.** *Mantenga la base del router firmemente en contacto con la pieza de trabajo al cortar.*
- **Nunca opere la unidad del motor cuando no esté insertada en una de las bases del router.** *El motor no está diseñado para ser portátil.*
- **Mantenga la presión de corte constante.** *No sobrecargue el motor.*
- **Utilice brocas afiladas.** *Las brocas desafiladas pueden hacer que el router se desvíe o se atasque bajo presión.*
- **Asegúrese que el motor se haya detenido completamente antes de bajar el router.** *Si el cabezal de corte sigue girando cuando se baja la herramienta, podría causar lesiones o daños.*
- **Asegúrese que la broca del router esté alejada de la pieza de trabajo antes de encender el motor.** *Si la broca está en contacto con la pieza de trabajo cuando el motor arranca, podría hacer que el router salte y provoque daños o lesiones.*
- **SIEMPRE desconecte la herramienta de la fuente de energía antes de hacer ajustes o cambiar las brocas.**
- **Mantenga las manos alejadas de la broca cuando el motor esté en operación para evitar lesiones personales.**
- **NUNCA toque la broca inmediatamente después del uso.** *Puede estar extremadamente caliente.*
- **Proporcione espacio debajo de la pieza de trabajo para la broca del router cuando corte a través.**
- **Apriete firmemente la tuerca del collar para evitar que la broca se deslice.**
- **Nunca apriete la tuerca del collar sin una broca.**
- **No utilice brocas de router con un diámetro de corte superior a 34,9 mm (1-3/8") en esta herramienta.**
- **Siempre use cuchillas con un diámetro de vástago de 6,4 mm (1/4") que corresponda al tamaño del collar en su herramienta.**
- **Siempre siga las recomendaciones de velocidad del fabricante de las brocas, ya que algunos diseños de brocas requieren velocidades específicas para la seguridad o el desempeño.** *Si no está seguro de la velocidad adecuada o está experimentando algún tipo de problema, póngase en contacto con el fabricante de la broca.*
- **No se recomienda su uso en una mesa de router.**
- **Evite el corte ascendente (corte en la dirección opuesta a la que se muestra en la Figura Q). El corte ascendente aumenta la posibilidad de perder el control y ocasionar posibles lesiones.** *Cuando sea necesario el corte ascendente (retroceder en una esquina), tenga mucho cuidado para mantener el control del router. Realice cortes más pequeños y elimine material mínimo con cada pasada.*
- **No sujete el router con la mano en posición horizontal o al revés.** *El motor puede separarse de la base si no está correctamente conectado de acuerdo con las instrucciones.*
- **Antes de arrancar el motor, limpie el área de trabajo de todos los objetos extraños.**
- **No utilice en una mesa de router.**
- **Mantenga siempre el protector de viruta (si está incluido) limpio y en su lugar.**
- **No presione el botón de bloqueo del eje mientras el motor está funcionando.** *Hacerlo puede dañar el bloqueo del husillo.*
- **Siempre asegúrese que la superficie de trabajo esté libre de clavos y otros objetos extraños.** *Cortar un clavo puede hacer que la broca y la herramienta salten.*

## Instrucción Adicional de Seguridad



**ADVERTENCIA:** Use SIEMPRE lentes de seguridad. Los anteojos de diario NO SON lentes de seguridad. Utilice además una cubrebocas o mascarilla antipolvo si la operación de corte genera demasiado polvo. SIEMPRE LLEVE EQUIPO DE SEGURIDAD CERTIFICADO:

- protección ocular ANSI Z87.1 (CAN/CSA Z94.3),
- protección auditiva ANSI S12.6 (S3.19),
- protección respiratoria NIOSH/OSHA/MSHA.



**ADVERTENCIA:** Algunas partículas de polvo generadas al lijar, serrar, esmerilar y taladrar con herramientas eléctricas, así como al realizar otras actividades de construcción, contienen químicos que el Estado de California sabe que pueden producir cáncer, defectos congénitos u otras afecciones reproductivas. Ejemplos de estos químicos son:

- plomo de algunas pinturas en base a plomo,
- polvo de sílice proveniente de ladrillos y cemento y otros productos de albañilería, y
- arsénico y cromo provenientes de madera tratada químicamente.



Su riesgo de exposición a estos químicos varía, dependiendo de la frecuencia con la cual realiza usted este tipo de trabajo. Para reducir su exposición a estas sustancias químicas: trabaje en una zona bien ventilada y llevando equipos de seguridad aprobados, como mascarillas antipolvo especialmente diseñadas para filtrar partículas microscópicas.

- **Evite el contacto prolongado con polvo generado por el lijado, aserrado, pulido, taladrado y otras actividades de construcción. Vista ropas protectoras y lave las áreas de la piel expuestas con agua y jabón.** Si permite que el polvo se introduzca en la boca u ojos o quede sobre la piel, puede favorecer la absorción de productos químicos peligrosos.

**⚠ ADVERTENCIA:** La utilización de esta herramienta puede generar polvo o dispersarlo, lo que podría causar daños graves y permanentes al sistema respiratorio, así como otras lesiones. Siempre use protección respiratoria aprobada por NIOSH (Instituto Nacional de Seguridad y Salud en el Trabajo) u OSHA (Administración de Seguridad y Salud en el Trabajo) apropiada para la exposición al polvo. Dirija las partículas en dirección contraria a la cara y el cuerpo.

**⚠ ADVERTENCIA:** Siempre lleve la debida protección auditiva personal en conformidad con ANSI S12.6 (S3.19) durante el uso de esta herramienta. Bajo algunas condiciones y duraciones de uso, el ruido producido por este producto puede contribuir a la pérdida auditiva.

**⚠ ATENCIÓN:** Cuando no esté en uso, guarde la herramienta apoyada en un costado sobre una superficie estable, donde no interrumpa el paso o provoque una caída. Algunas herramientas con paquetes de baterías de gran tamaño pueden colocarse paradas sobre el paquete de baterías, pero pueden caerse fácilmente.

- **Los orificios de ventilación suelen cubrir piezas en movimiento, por lo que también se deben evitar.** Las piezas en movimiento pueden atrapar prendas de vestir sueltas, joyas o el cabello largo.

La etiqueta de su herramienta puede incluir los siguientes símbolos. A continuación se indican los símbolos y sus definiciones:

V..... voltios	SPM..... pasadas por minuto
Hz..... hertz	A..... amperios
min..... minutos	W..... vatios
== or DC.... direct current	~ or AC..... corriente alterna
Ⓜ..... Construcción de Clase I (tierra)	Ⓜ or AC/DC.... corriente alterna o directa
.../min..... por minuto	Ⓜ..... Construcción de Clase II (doble aislamiento)
BPM..... golpes por minuto	n <sub>0</sub> ..... velocidad sin carga
IPM..... impactos por minuto	n..... velocidad nominal
RPM..... revoluciones por minuto	Ⓜ..... terminal de conexión a tierra
sfpn..... pies de superficie por minuto	

⚠..... símbolo de advertencia de seguridad	👁..... protección ocular
⚠..... radiación visible	👂..... protección auditiva
👂..... protección respiratoria	📖..... lea toda la documentación

## BATERÍAS Y CARGADORES

La batería no viene completamente cargada de fábrica. Antes de utilizar la batería y el cargador, lea las siguientes instrucciones de seguridad y luego siga los procedimientos de carga indicados. Cuando pida baterías de repuesto, no olvide indicar el número de catálogo y el voltaje.

Su herramienta utiliza un cargador DeWALT. Lea todas las instrucciones de seguridad antes de usar el cargador.

### LEA TODAS LAS INSTRUCCIONES

#### Instrucciones de Seguridad Importantes Para Todas las Unidades de Batería

**⚠ ADVERTENCIA:** Lea todas las advertencias de seguridad y todas las instrucciones para la batería, el cargador y la herramienta eléctrica. No seguir las advertencias y las instrucciones puede provocar una descarga eléctrica, un incendio y/o lesiones graves.

- **No cargue o use la unidad de batería en atmósferas explosivas, como en presencia de líquidos, gases o polvos inflamables.** Puede que al insertar o sacar la unidad de batería del cargador se inflamen el polvo o los gases.
- **NUNCA fuerce la unidad de batería para que entre en el cargador. NO modifique la unidad de batería en ninguna forma para que entre en un cargador no compatible, pues puede producir una ruptura en la unidad de batería y causar lesiones corporales graves.** Consulte la tabla al final de este manual para ver la compatibilidad entre baterías y cargadores.
- **Cargue las unidades de batería sólo en los cargadores designados por DeWALT.**
- **NO salpique con ni sumerja en agua u otros líquidos.**
- **No guarde ni use la herramienta y unidad de batería en lugares donde la temperatura pueda alcanzar o superar los 40 °C (104 °F), tales como cobertizos o construcciones de metal durante el verano.** Almacene las unidades de batería en lugares frescos y secos para maximizar su vida útil.
- **NOTA: No almacene las unidades de batería en la herramienta con el interruptor de gatillo en posición encendida fija. Nunca use cinta adhesiva para mantener el interruptor de gatillo en posición ENCENDIDA.**
- **No incinere la unidad de batería, aunque esté completamente dañada o descargada. La unidad de batería puede explotar si se quema.** Cuando se queman unidades de batería de iones de litio, se producen gases y materiales tóxicos.

## ESPAÑOL

- **Si el contenido de la batería entra en contacto con la piel, lave el área de inmediato con agua y un jabón suave.** Si el líquido de la batería entra en contacto con sus ojos, enjuáguelos con agua y los ojos abiertos por 15 minutos o hasta que cese la irritación. Si se requiere de asistencia médica, el electrolito de la batería está compuesto por una mezcla de carbonatos orgánicos líquidos y sales de litio.
- **El contenido de los elementos abiertos de la batería puede causar irritación en el tracto respiratorio.** Salga al aire fresco. Si los síntomas persisten, busque asistencia médica.

**⚠️ ADVERTENCIA:** Peligro de quemaduras. El líquido de la batería puede ser inflamable si se expone a chispas o llamas.

**⚠️ ADVERTENCIA:** Peligro de incendio. Nunca intente abrir la unidad de batería por ningún motivo. Si la caja exterior de la unidad de batería se triza o daña, no la introduzca en el cargador. No use una unidad de batería o un cargador que haya sido golpeado, dejado caer, atropellado o dañado en cualquier forma (por ejemplo, perforado por un clavo, golpeado con un martillo, pisado). Lleve sus unidades de batería dañadas al centro de servicio para que sean recicladas.

## Transporte

**⚠️ ADVERTENCIA:** Peligro de incendio. No guarde o transporte la batería de forma que los terminales expuestos de la misma puedan estar en contacto con objetos metálicos. Por ejemplo, no ponga la batería en delanteles, bolsillos, cajas de herramientas, estuches de productos, cajones, etc., junto con clavos, tornillos, y llaves, etc. sueltos. **El transporte de baterías puede causar incendios si sus terminales inadvertidamente entran en contacto con materiales conductores como llaves, monedas, herramientas manuales y otros por el estilo.** El Reglamento sobre Materiales Peligrosos (HMR) del Departamento de Transporte de EE.UU. prohíbe transportar baterías comercialmente o en aviones en el equipaje de mano A MENOS que estén debidamente protegidas contra cortocircuitos. Por lo tanto, cuando transporte baterías individuales, asegúrese de que sus terminales estén protegidos y debidamente aislados de los materiales que pudieran entrar en contacto con ellos y provocar un cortocircuito.

**NOTA:** Las baterías de iones de litio no deben colocarse dentro del equipaje registrado.

## TRANSPORTE DE LA BATERÍA FLEXVOLT™ DE DEWALT

La batería FLEXVOLT™ de DEWALT tiene dos modalidades:

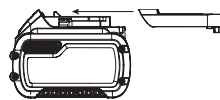
### Uso y transporte.

**Modalidad de uso:** Cuando la batería FLEXVOLT™ está independiente o está en un producto DEWALT de 20 V Máx\* funcionará como una batería de 20 V Máx\*. Cuando la batería FLEXVOLT™ está en un producto de 60 V Máx\* o 120

V Máx\* (dos baterías de 60 V Máx\*), funcionará como una batería de 60V Máx\*.

### Modalidad de transporte:

Cuando la batería FLEXVOLT™ tiene puesta la tapa, la batería está en modalidad de transporte.



Cadenas de celdas están desconectadas eléctricamente dentro de la unidad de batería, lo que resulta en tres baterías con una capacidad nominal de vatios hora (Wh) inferior comparada con una batería con una capacidad nominal de vatios hora superior. Esta mayor cantidad de tres baterías con una capacidad nominal de vatios-hora menor puede hacer que la unidad de batería quede exenta de ciertos reglamentos de transporte que se imponen a las baterías con mayor capacidad nominal de vatios-hora.

La etiqueta en la batería indica dos capacidades nominales de vatios-hora (ver el ejemplo). Dependiendo de cómo se transporta la batería, debe usarse la capacidad nominal de vatios-hora apropiada para determinar los requisitos de transporte aplicables. Si se utiliza la tapa de transporte, la unidad de batería será considerada tres baterías con la capacidad nominal de vatios-hora indicada para «Transporte». Si se transporta sin la tapa o en una herramienta, la unidad de batería será considerada una batería con la capacidad nominal de vatios-hora indicada al lado de «Uso».

Ejemplo de Marcado en Etiqueta de Uso y Transporte

**USE: 120 Wh Shipping: 3 x 40 Wh**

Por ejemplo, la capacidad nominal de Wh de Transporte puede indicar 3 x 40 Wh, lo que significa 3 baterías de 40 vatios-hora cada una. La capacidad nominal de Wh de Uso puede indicar 120 Wh (se implica 1 batería).

## Unidades de Batería con Indicador de Carga (Fig. B)

Algunas unidades de batería DEWALT incluyen un indicador de carga que consiste de tres luces LED verdes que indican el nivel de carga que queda en la unidad de batería.

El indicador de carga es una indicación de niveles aproximados de carga que quedan en la batería según los indicadores siguientes:

 75–100% cargada

 51–74% cargada

 < 50% cargada

 La batería tiene que cargarse

Para activar el indicador de carga, presione y sostenga el botón del indicador. Se iluminará una combinación de las tres luces LED verdes, que indicará el nivel de carga que queda. Cuando el nivel de carga está por debajo del nivel útil, el indicador no se iluminará, y la batería deberá recargarse.

Fig. B



**NOTA:** El indicador de carga es sólo eso: un indicador de la carga de la unidad de batería. No indica el nivel de funcionalidad de la herramienta y puede variar de acuerdo a las piezas del producto, la temperatura y la aplicación que el usuario le dé.

Para mayor información sobre unidades de batería con indicadores de carga, por favor llame al 1-800-4-DEWALT (1-800-433-9258) o visite nuestro sitio Web: [www.dewalt.com](http://www.dewalt.com).

### El sello RBRC®

El sello RBRC® (Rechargeable Battery Recycling Corporation) en las baterías (unidades de batería) de níquel cadmio, níquel e hidruro metálico o de iones de litio indica que el costo de reciclaje de estas baterías (o unidades de batería) al llegar al final de su vida de servicio ya ha sido pagado por DEWALT. En algunas áreas, es ilegal depositar baterías de níquel cadmio, níquel e hidruro metálico o de iones de litio gastadas en la basura o la corriente de residuos sólidos urbanos; el programa Call 2 Recycle® proporciona una alternativa ecológica.



Call 2 Recycle, Inc., en cooperación con DEWALT y otros usuarios de baterías, han establecido programas en los Estados Unidos y Canadá para facilitar la recolección de baterías de níquel cadmio, níquel e hidruro metálico o de iones de litio gastadas. Al llevar sus baterías de níquel cadmio, níquel e hidruro metálico y de iones de litio gastadas a un centro de servicio autorizado por DEWALT o al minorista local para que sean recicladas, ayuda a proteger el medio ambiente y a conservar recursos naturales. También puede comunicarse con el centro de reciclaje de su localidad para mayor información sobre dónde llevar sus baterías gastadas.

RBRC® es una marca comercial registrada de Call 2 Recycle, Inc.

### Instrucciones Importantes de Seguridad Para Todos los Cargadores de Baterías

**⚠️ ADVERTENCIA:** Lea todas las advertencias de seguridad y todas las instrucciones para la batería, el cargador y la herramienta eléctrica. No seguir las advertencias y las instrucciones puede provocar una descarga eléctrica, un incendio y/o lesiones graves.

- **NO intente cargar la unidad de batería con otros cargadores que no sean los descritos en este manual.** El cargador y la unidad de batería fueron específicamente diseñados para trabajar en conjunto.
- **Estos cargadores no fueron diseñados para ser utilizados para más que cargar las baterías recargables DEWALT.** Cualquier otro uso puede producir riesgo de incendios, descargas eléctricas o electrocución.
- **No exponga el cargador a la lluvia o a la nieve.**

- **Tire del enchufe y no del cable cuando desconecte el cargador.** De esta forma se reduce el riesgo de daño al enchufe y cable.
- **Asegúrese de que el cable no sea ubicado de manera que podría ser pisado, causar que alguien tropiece con él o ser expuesto a otro tipo de daños y desgastes.**
- **No use un alargador a menos que sea absolutamente necesario.** El uso de un alargador incorrecto podría producir riesgo de incendios, descargas eléctricas o electrocución.
- **Cuando opere un cargador al exterior, hágalo siempre en un lugar seco y use un alargador apropiado para uso al exterior.** El uso de un alargador apropiado para uso al exterior reduce el riesgo de descarga eléctrica.
- **Los hilos del alargador deben ser de un calibre apropiado (AWG o American Wire Gauge) para su seguridad.** Mientras menor sea el calibre del hilo, mayor la capacidad del cable. Es decir, un hilo calibre 16 tiene mayor capacidad que uno de 18. Un cable de un calibre insuficiente causará una caída en la tensión de la línea dando por resultado una pérdida de energía y sobrecalentamiento. Cuando se utilice más de un alargador para completar el largo total, asegúrese que los hilos de cada alargador tengan el calibre mínimo. La tabla siguiente muestra el tamaño correcto a utilizar, dependiendo de la longitud del cable y del amperaje nominal de la placa de identificación. Si tiene dudas sobre cuál calibre usar, use un calibre mayor. Cuanto menor sea el número del calibre, más resistente será el cable.

Voltios		Calibre mínimo de conjuntos de cables			
		Longitud total del cable en pies (metros)			
120 V		25 (7,6)	50 (15,2)	100 (30,5)	150 (45,7)
240 V		50 (15,2)	100 (30,5)	200 (61,0)	300 (91,4)
Amperaje nominal	AWG				
0	6	18	16	16	14
6	10	18	16	14	12
10	12	16	16	14	12
12	16	14	12	No recomendado	

- **No coloque ningún objeto encima del cargador ni coloque a este sobre una superficie blanda que pudiera bloquear las ranuras de ventilación y resultar en un calor interno excesivo.** Coloque el cargador en un lugar alejado de cualquier fuente de calor. El cargador se ventila a través de las ranuras que se encuentran en la parte superior e inferior de la caja protectora.
- **No opere el cargador si su cable o enchufe están dañados.**
- **No opere el cargador si ha recibido un golpe agudo, si se ha caído o si ha sido dañado de alguna otra forma.** Llévelo a un centro de servicio autorizado.

## ESPAÑOL

- **No desarme el cargador; llévelo a un centro de servicio autorizado cuando deba ser reparado.** Si es reensamblado incorrectamente, puede causar descargas eléctricas, electrocución o incendios.
- **Desenchufe el cargador antes de intentar limpiarlo.** Esto reducirá el riesgo de descargas eléctricas. El retirar el paquete de baterías no reducirá este riesgo.
- **NUNCA** intente conectar 2 cargadores entre sí.
- **El cargador está diseñado para operar con una corriente eléctrica estándar residencial de 120 V. No intente usarlo con ningún otro voltaje.** Esto no aplica al cargador vehicular.

**!** **ADVERTENCIA:** Peligro de descarga eléctrica. No permita que ningún líquido se introduzca en el cargador. Puede producir descargas eléctricas.

**!** **ADVERTENCIA:** Peligro de quemaduras. No sumerja la unidad de batería en líquido de ningún tipo ni permita que se introduzca ningún tipo de líquido a la unidad de batería. Nunca intente abrir la unidad de batería por ningún motivo. Si la caja plástica de la unidad de batería se triza o rompe, llévela a un centro de servicio para su reciclaje

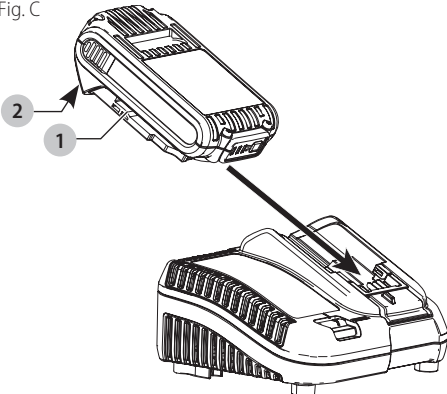
**!** **ATENCIÓN:** Peligro de quemaduras. Para reducir el riesgo de lesiones, sólo cargue unidades de batería recargables marca DeWALT. Otros tipos de batería podrían sobrecalentarse y reventar lo que podría resultar en lesiones corporales y daños a su propiedad.

**!** **ATENCIÓN:** Bajo ciertas condiciones, cuando el cargador está enchufado a una toma de corriente, el cargador puede hacer cortocircuito si entra en contacto con algún material ajeno. Los materiales ajenos de naturaleza conductora, como el polvo de esmerilado, las placas de metal, la lana de acero, el papel de aluminio y otros, o cualquier acumulación de partículas metálicas deberían mantenerse alejados de las cavidades del cargador. Desenchufe siempre el cargador cuando no haya una unidad de batería en su cavidad. Desenchufe el cargador antes de intentar limpiarlo.

## Carga de una batería (Fig. C)

1. Enchufe el cargador en una toma de corriente apropiada antes de introducir la batería.

Fig. C



2. Inserte la batería 1 en el cargador, comprobando esté bien fija. La luz roja (de carga) parpadeará continuamente para indicar que se ha iniciado el proceso de carga.
3. La luz roja se quedará ENCENDIDA continuamente cuando se haya completado el proceso de carga. La batería estará entonces completamente cargada y podrá ser utilizada de inmediato o dejarse en el cargador. Para retirar el paquete de batería del cargador, presione el botón de liberación de la batería 2 en el paquete de batería y deslice el paquete de batería hacia afuera del cargador.

**NOTA:** Para asegurar el máximo rendimiento y vida útil de las baterías de iones de litio, cargue la batería completamente antes de usarla por primera vez.

## Funcionamiento del cargador

Consulte los indicadores a continuación relativos al estado de carga de la batería.

DCB107, DCB112, DCB113, DCB115, DCB118, DCB132

	Unidad en Proceso de Carga	— — — — —	
	Unidad Cargada	—————	
	Retraso por Unidad Caliente/ Fría*	— — — — —   —————	

\***DCB107, DCB112, DCB113, DCB115, DCB118, DCB132:** La luz roja continuará parpadeando, pero una luz indicadora amarilla estará iluminada durante esta operación. Una vez que la batería haya llegado a una temperatura apropiada, la luz amarilla se apagará y el cargador continuará con el procedimiento de carga.

El cargador no cargará una batería defectuosa. El cargador indicará que la unidad de batería es defectuosa al no iluminarse.

**NOTA:** Esto también puede significar que hay un problema con el cargador.

Si el cargador indica un problema, lleve el cargador y la batería a un centro de servicio autorizado para que sean sometidos a pruebas.

## Retraso por batería caliente/fría

Cuando el cargador detecta que una batería está demasiado caliente o demasiado fría, inicia automáticamente un Retraso por batería caliente/fría y suspende la carga hasta que la batería alcanza una temperatura adecuada. En ese momento, el cargador inicia automáticamente el modo de carga de la batería. Esta función garantiza la máxima duración de la batería.

Una batería fría se carga más lentamente que una batería caliente. La batería se cargará a ese ritmo más lento durante todo el ciclo de carga y no volverá a cargarse a la velocidad de carga máxima incluso si la batería se calienta.

El cargador DCB118 está equipado con un ventilador interno diseñado para enfriar la batería. El ventilador se encenderá automáticamente cuando la batería tenga que enfriarse.

No opere nunca el cargador si el ventilador no funciona adecuadamente o si las ranuras de ventilación están obstruidas. No permita que entren objetos extraños dentro del cargador.

### Sistema de protección electrónica

Las herramientas con baterías de iones de litio están diseñadas con un Sistema de protección electrónico que protegerá la batería contra la sobrecarga, el sobrecalentamiento o la descarga completa.

La herramienta se apagará automáticamente si el Sistema de protección electrónico se activa. Si esto ocurre, coloque la batería de iones de litio en el cargador hasta que esté totalmente cargada.

### Montaje en la pared

#### DCB107, DCB112, DCB113, DCB115, DCB118, DCB132

Estos cargadores están diseñados para montarse en la pared o colocarse en posición vertical sobre una mesa o superficie de trabajo. Si lo monta en la pared, coloque el cargador al alcance de una toma de corriente eléctrica y alejado de las esquinas u otras obstrucciones que puedan impedir el flujo de aire. Utilice la parte de atrás del cargador como plantilla para la ubicación de los tornillos de montaje en la pared. Monte el cargador firmemente utilizando tornillos para muro seco (comprados por separado) de un mínimo de 25,4 mm (1") de largo, con una cabeza de un diámetro de 7-9 mm (0,28-0,35"), atornillados en madera hasta una profundidad óptima dejando el tornillo expuesto aproximadamente 5,5 mm (7/32"). Alinee las ranuras en la parte trasera del cargador con los tornillos expuestos e introdúzcalos totalmente en las ranuras.

### Instrucciones de limpieza del cargador



**ADVERTENCIA:** Riesgo de descarga eléctrica. Desconecte el cargador del tomacorriente de CA antes de limpiarlo. Para limpiar la suciedad y grasa del exterior del cargador puede usarse un paño o cepillo suave no metálico. No use agua ni soluciones limpiadoras.

### Notas importantes sobre la carga

- Se puede obtener una mayor duración y un mejor rendimiento si la unidad de batería se carga a una temperatura ambiente de 18–24 °C (65–75 °F). NO cargue cuando el paquete de batería esté debajo de +4,5 °C (+40 °F), o arriba de +40 °C (+104 °F). Esto es importante y evitará causar daños graves a la batería.
- Puede que el cargador y la unidad de batería se calienten ligeramente durante el proceso de carga. Esto es normal y no representa ningún problema. Para facilitar el enfriamiento de la unidad de batería después del uso, evite colocar el cargador o la unidad de batería en un lugar cálido, como un cobertizo metálico o un remolque sin aislamiento térmico.
- Si la unidad de batería no se carga correctamente:
  - Verifique el funcionamiento de la toma enchufando una lámpara u otro aparato;

- Revise que la toma de corriente no esté conectada a un interruptor de luz que corte la corriente cuando se corte la luz;
  - Mueva el cargador y la unidad de batería a un lugar donde la temperatura ambiental sea aproximadamente 18–24 °C (65–75 °F);
  - Si el problema de carga continúa, lleve la herramienta, unidad de batería y el cargador a su centro de servicio local.
- La unidad de batería debería ser recargada cuando no sea capaz de producir suficiente potencia para trabajos que eran fácilmente realizados antes. NO CONTINÚE usándola bajo estas circunstancias. Siga el procedimiento de carga. También puede cargar una unidad de batería que haya sido usada parcialmente cuando lo desee, sin dañarla.
  - Los materiales ajenos conductores por naturaleza, tales como, pero sin limitarse a, el polvo del esmerilado, las virutas metálicas, la lana de acero, el papel de aluminio o cualquier acumulación de partículas metálicas deberían mantenerse alejados de las cavidades del cargador. Desenchufe siempre el cargador de la toma de corriente cuando no haya una unidad de batería en su cavidad. Desenchufe el cargador antes de intentar limpiarlo.
  - No congele ni sumerja el cargador en agua o cualquier otro líquido.

### Recomendaciones de almacenamiento

- El mejor lugar de almacenamiento es uno que sea fresco y seco, lejos de la luz solar directa y del exceso de calor o frío.
- Para resultados óptimos durante tiempos prolongados de almacenamiento, se recomienda almacenar la unidad de batería completamente cargada en un lugar fresco y seco fuera del cargador.

**NOTA:** Las unidades de batería no deberían almacenarse completamente descargadas. La unidad de batería deberá recargarse antes de ser usada.

### GUARDE ESTAS INSTRUCCIONES PARA VOLVER A CONSULTAR EN EL FUTURO

### COMPONENTES (FIG. A)



**ADVERTENCIA:** Nunca modifique la herramienta eléctrica, ni tampoco ninguna de sus piezas. Podría producir lesiones corporales o daños.

Consulte la Figura A al principio de este manual para obtener una lista completa de los componentes.

### Uso Debido

Esta herramienta está diseñada para aplicaciones de enrutamiento profesionales de servicio mediano.

**NO** utilice la herramienta en condiciones de humedad o en presencia de líquidos o gases inflamables.

**NO** permita que los niños toquen la herramienta. Si el operador no tiene experiencia operando esta herramienta, su uso deberá ser supervisado.

## MONTAJE Y AJUSTES

**⚠️ ADVERTENCIA:** Para reducir el riesgo de lesiones personales graves, apague la herramienta y desconéctela de la fuente de alimentación retire el paquete de baterías antes de realizar ajustes o de retirar/instalar dispositivos o accesorios. Un arranque accidental podría causar lesiones.

### Instalación y Desinstalación de Broca (Fig. D)

**⚠️ ADVERTENCIA:** Peligro de proyectil. Sólo use brocas con patas que empaten con el collarín instalado. Brocas de patas más cortas no serán seguras y podrían soltarse durante la operación.

**⚠️ ATENCIÓN:** Nunca apriete el collarín sin primer instalar una broca de router en éste. Apretar un collarín vacío, incluso con la mano, puede dañar el collarín.

**AVISO:** No utilice brocas de router con un diámetro de corte superior a 34,9 mm (1-3/8") en esta herramienta.

#### Para instalar la broca

1. Retire la unidad del motor de la unidad base. Consulte **Desinstalación del motor de la base fija / Desinstalación del motor de la base de caída** (si es necesario).
2. Limpie e inserte el vástago redondo de la broca de rebajadora deseada en la boquilla floja tanto como se pueda y luego tire de ella aproximadamente 1,6 mm (1/16").
3. Oprima el botón del seguro del eje 7 para mantener en su lugar el eje del husillo mientras da vuelta a la tuerca de la boquilla 22 en sentido horario con la llave provista.

**NOTA:** La unidad está equipada con varios retenes de bloqueo del eje que permiten un método opcional de "trinquete manual" para apretar la broca.

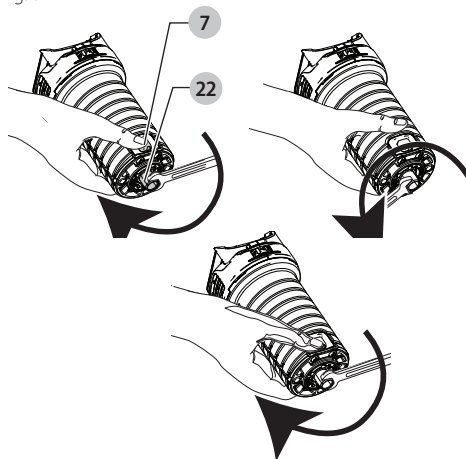
#### Para apretar con el método de "trinquete manual":

- a. Sin retirar la llave de la tuerca de la boquilla 22, afloje la presión sobre el botón del seguro del eje 7.
- b. Con la llave todavía en la tuerca de la boquilla, invierta el sentido de apriete para repositonar la llave.
- c. Oprima de nuevo el botón del seguro del eje de nuevo y gire la llave en sentido horario.
- d. Repita el procedimiento hasta que la tuerca de la boquilla alcance la firmeza deseada.

**NOTA:** Apriete firmemente la tuerca del collar para evitar que la broca se deslice.

**AVISO:** Sólo base de caída—Cuando apriete o cambie los collarines, no permita que las llaves entren en contacto con las varillas de caída. Si las varillas están dañadas, se restringirá la acción de caída.

Fig. D



#### Para desinstalar la broca

1. Retire la unidad del motor de la unidad base (consulte **Desinstalación del motor de la base fija / Desinstalación del motor de la base de caída**).
2. Oprima el botón del seguro del eje 7 para mantener en su lugar el eje del husillo mientras da vuelta a la tuerca de la boquilla 22 en sentido antihorario con la llave provista.

#### Para aflojar utilizando el método del "trinquete manual":

1. Sin retirar la llave de la tuerca de la boquilla 22, afloje la presión sobre el botón del seguro del eje 7.
2. Con la llave todavía en la tuerca de la boquilla 22, invierta el sentido de aflojamiento para repositonar la llave.
3. Oprima de nuevo el botón del seguro del eje 7 de nuevo y gire la llave en sentido antihorario.
4. Repita el procedimiento hasta que la tuerca de la boquilla 22 esté floja y se pueda quitar la broca.

#### Boquillas

**NOTA:** Nunca apriete boquilla sin instalar primero una broca de rebajadora en la misma. El apretar una boquilla vacía, así sea a mano, puede dañar la boquilla.

Para cambiar los tamaños de boquilla, desatornille el conjunto de la boquilla como se describe anteriormente. Instale la boquilla deseada invirtiendo el procedimiento. La boquilla y la tuerca de la boquilla están conectadas. No intente retirar la boquilla de la tuerca de la boquilla.

#### Ajuste de la palanca de bloqueo (Fig. E)

No se debería utilizar fuerza excesiva para sujetar la palanca de bloqueo. El uso de fuerza excesiva puede dañar la base. Cuando la palanca de bloqueo esté fija el motor no debe moverse en la base.

El ajuste es necesario si la palanca de bloqueo no sujeta sin una fuerza excesiva o si el motor se mueve en la base después de la sujeción.

**Para ajustar la fuerza de sujeción de la palanca de bloqueo:**

1. Abra la palanca de bloqueo **12** (base fija) o **39** (base de caída).
2. Utilizando una llave hexagonal dé vuelta al tornillo de ajuste de la palanca de bloqueo **23** en pequeños incrementos.  
El girar el tornillo en sentido horario aprieta la palanca, mientras que girar el tornillo en sentido antihorario afloja la palanca.

Fig. E

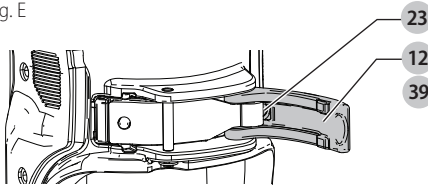
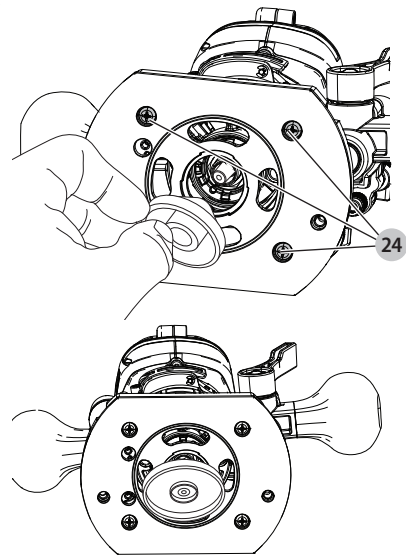


Fig. F2



**Para centrar la sub-base (Fig. A, F1, F2)**

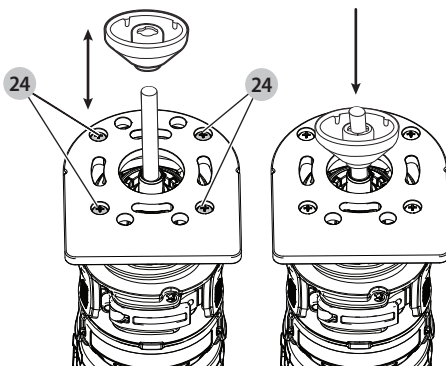
Si usted necesita ajustar, cambiar o reemplazar la sub-base, se recomienda una herramienta de centrado; refiérase a la sección de **Accesorios**. La herramienta de centrado se compone de un cono y un espigo.

**Para ajustar la sub-base, siga los siguientes pasos:**

La Figura F1 muestra el ajuste de la subbase en la base fija y la Figura F2 muestra el ajuste de la subbase en la base de caída.

1. Afloje, pero no quite los tornillos de la subbase **24** para que la subbase se mueva libremente.
2. Inserte el pasador en el collar y apriete la tuerca del collar.
3. Inserte el motor en la base y sujete la palanca de bloqueo **12 / 39** en la base.
4. Coloque el cono en el pasador y presione ligeramente el cono hacia abajo hasta que se detenga. Esto centrará la subbase.
5. Mientras mantiene presionado el cono, apriete los tornillos de la subbase.

Fig. F1



**Utilización de plantillas**

La sub-base redonda aceptará plantillas universales. Los accesorios recomendados para su herramienta están disponibles con un cargo adicional en su distribuidor local o en el centro de servicio autorizado.

**NOTA:** La sub-base en forma de D no acomoda plantillas y está diseñada para dar cabida a brocas de hasta de 34,9 mm (1-3/8") de diámetro.

**Para utilizar plantillas:**

1. Centre la sub-base. Refiérase a **Para centrar la sub base**.
2. Instale la plantilla (disponible como accesorio) sobre la sub-base y apriete bien.

**Instalación de una guía de borde de base fija (Fig. G) (incluida con algunos modelos)**

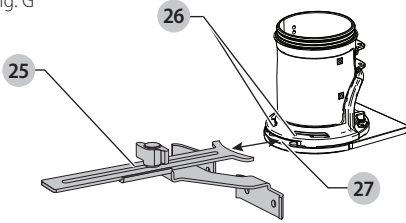
Una guía de borde (modelo DNP618) para su base fija está disponible en su distribuidor local o centro de servicio a un costo adicional.

1. Retire el motor de la base fija. Consulte **Desinstalación del motor de la base fija**.
2. Retire los tornillos de cabeza plana **26** de los orificios de almacenamiento en la guía de borde.
3. Deslice la guía de borde **25** en la ranura de la guía de borde **27** en el lado de la base fija (Fig. G). Inserte los dos tornillos de cabeza plana a través de los orificios apropiados en la subbase para asegurar la guía de borde. Apriete el hardware.
4. Siga todas las instrucciones incluidas con la guía de borde.

## ESPAÑOL

**NOTA:** Para retirar la guía de borde, invierta el procedimiento anterior. Después de retirar la guía de borde, siempre vuelva a colocar los dos tornillos de cabeza plana en los orificios de almacenamiento en la guía de borde para evitar pérdidas.

Fig. G



### Uso de guía de borde Premium (sólo base de caída) (incluida con algunos modelos)

Una guía de borde Premium (modelo DW6913) está disponible en su distribuidor local o centro de servicio a un costo adicional. Siga las instrucciones de ensamble incluidas con la guía de borde.

### Instalación de guía de borde de base de caída con barras guía (Fig. H) (incluidas con algunos modelos)

Una guía de borde (modelo DW6913) para su base de caída está disponible en su distribuidor local o centro de servicio a un costo adicional.

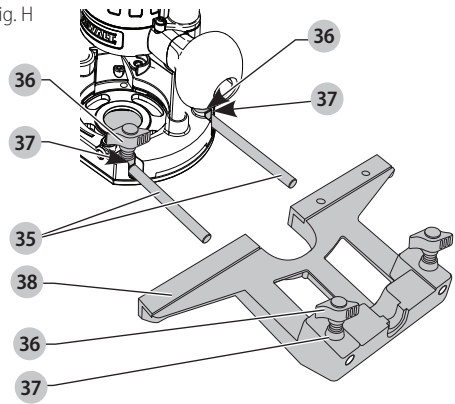
1. Conecte las varillas de guía **35** a la base del router de caída.
2. Conecte los tornillos de mariposa **36** y los resortes **37** a la base.
3. Apriete los tornillos de mariposa **36**.
4. Deslice la guía de borde **38** sobre las varillas.
5. Conecte los tornillos de mariposa **36** y los resortes **37** a la guía de borde.
6. Apriete los tornillos de mariposa temporalmente. Consulte **Ajuste de guía de borde**.

### Ajuste de guía de borde (Fig. A, H)

Siga las instrucciones de ensamble incluidas con la guía de borde.

1. Dibuje una línea de corte sobre el material.
2. Baje el carro del router hasta que el cortador esté en contacto con la pieza de trabajo.
3. Bloquee el mecanismo de caída soltando la palanca de bloqueo de inmersión **16**.
4. Coloque el router en la línea de corte. El borde de corte exterior del cortador debe coincidir con la línea de corte.
5. Deslice la guía de borde **38** contra la pieza de trabajo y apriete los tornillos de mariposa **36**.

Fig. H

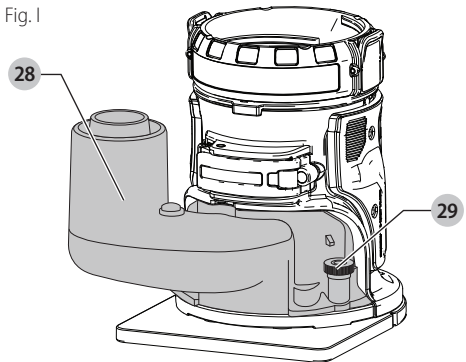


### Conexión de sistema de extracción de polvo a la base fija (Fig. I) (Incluido con algunos modelos)

Para conectar el enrutador a un sistema de extracción de polvo para la recolección de polvo, siga estos pasos:

1. Retire la unidad del motor de la base. Consulte **Desinstalación del Motor de la Base Fija**.
2. Conecte el accesorio de fijación del sistema de extracción de polvo **28** a la base como se muestra. Apriete los tornillos de mariposa **29** de forma segura con la mano.
3. Conecte el adaptador de manguera al accesorio de fijación del sistema de extracción de polvo.
4. Cuando utilice el accesorio del sistema de extracción de polvo, tenga en cuenta la ubicación del sistema de extracción de polvo. Asegúrese que el sistema de extracción de polvo sea estable y que su manguera no interfiera con el trabajo.

Fig. I



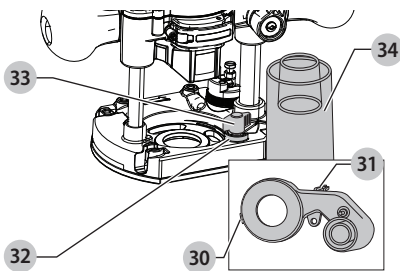


## Conexión de sistema de extracción de polvo a la base de caída (Fig. J) (Incluido con algunos modelos)

1. Retire la unidad del motor de la base. Consulte **Desinstalación del motor de la Base de Caída**.
2. Deslice la lengüeta **30** (inserto) en el accesorio del sistema de extracción de polvo **34** en la ranura de la base de caída y conecte la lengüeta **31** (inserto) en el orificio de la base de caída.
3. Asegure a la base con la arandela de plástico **32** y el tornillo de mariposa **33** suministrados. Apriete firmemente el tornillo de mariposa manualmente.
4. Conecte el adaptador de la manguera al accesorio del sistema de extracción de polvo.

Cuando utilice el accesorio del sistema de extracción de polvo, tenga en cuenta la ubicación del sistema de extracción de polvo. Asegúrese que el sistema de extracción de polvo sea estable y que su manguera no interfiera con el trabajo.

Fig. J



## Disposición: Base fija (Fig. A, K, L)

### Inserción del Motor en la Base Fija

1. Abra la palanca de bloqueo **12** sobre la base.
2. Si el anillo de ajuste de profundidad **5** no está sobre el motor, atornille el anillo de ajuste de profundidad **6** en el motor hasta que el anillo esté a medio camino entre la parte superior e inferior del motor, tal como se muestra. Inserte el motor en la base alineando el surco en el motor **6** con los espigos de guía **17** en la base. Deslice el motor hacia abajo hasta que el anillo de ajuste de profundidad encaje en su sitio.  
**NOTA:** Los surcos de espigo de guía **9** se encuentran a cada lado del motor, por lo que se puede colocar en dos orientaciones.
3. Ajuste la profundidad de corte girando el anillo de ajuste de la profundidad. Refiérase a **Para ajustar la profundidad de corte**.
4. Cierre la palanca de bloqueo **12** cuando se llegue a la profundidad deseada

Fig. K

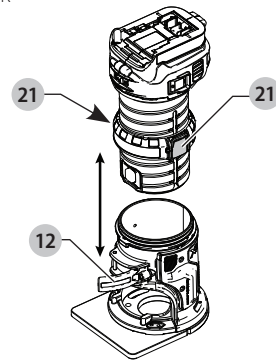
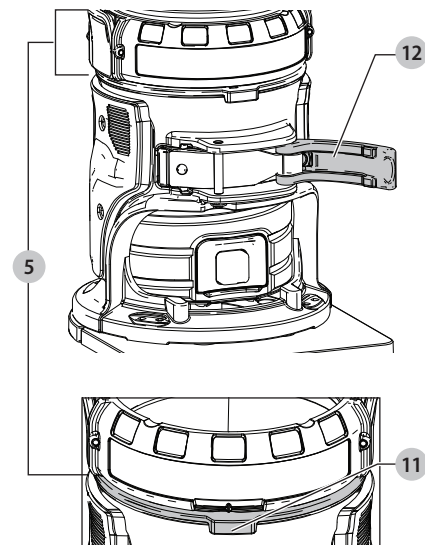


Fig. L



### Ajuste de la profundidad del corte (Fig. L)

1. Abra la palanca de bloqueo **12** y gire el anillo de ajuste de profundidad **5** hasta que la broca apenas toque la pieza de trabajo. El girar el anillo en sentido horario levanta el cabezal de corte, mientras que el girarlo en sentido antihorario hace descender el cabezal de corte.
2. Gire la escala micro ajustable **11** en sentido horario hasta que el 0 de la escala esté alineado con el puntero en la parte inferior del anillo de ajuste de profundidad.
3. Gire el anillo de ajuste de profundidad hasta que el puntero quede alineado con la marca de profundidad deseada de corte sobre la escala micro ajustable **11**.  
**NOTA:** Cada marca en la escala ajustable representa un cambio en la profundidad de 0,4 mm (1/64" ó 0,015") y una vuelta completa (360°) del anillo modifica la profundidad en 12,7 mm (0,5").
4. Cierre la palanca de bloqueo **12** para asegurar la base.

## Desinstalación del motor de la base fija (Fig. K)

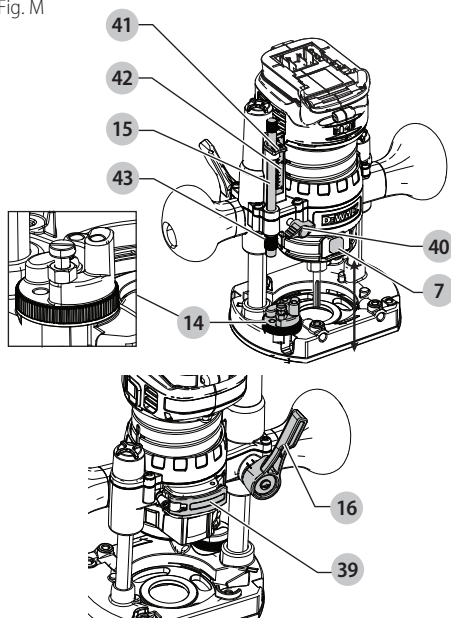
1. Retire el paquete de batería del motor. Consulte *Instalación y desinstalación de paquete de batería*.
2. Abra la palanca de bloqueo 12 en la base.
3. Sujete la unidad del motor con una mano, presionando ambas lengüetas de liberación rápida 21.
4. Con la otra mano, agarre la base y retire el motor de la base.

## Preparación: Base de caída (Fig. A, M)

### Inserción del motor en la base de caída

1. Retire el anillo de ajuste de profundidad 5 del motor 6. No se utiliza con la base de caída.  
**NOTA:** Coloque el anillo de ajuste de profundidad en la base fija, cuando no esté en uso, para evitar perderlo.
2. Abra la palanca de bloqueo de la base de caída 39.
3. Asegurándose que el botón de bloqueo del eje esté orientado hacia el frente, inserte el motor 6 en la base alineando la ranura del motor con los pasadores guía 17 en la base. Deslice el motor hacia abajo hasta que el motor se detenga en el tope del motor 19.
4. Cierre la palanca de bloqueo 39.

Fig. M



### Ajuste de Profundidad de Enrutamiento de Caída (Fig. M)

- ⚠ ADVERTENCIA: Peligro de laceración. No cambie el tope de la torreta mientras el router está funcionando. Esto colocará sus manos demasiado cerca de la cabeza de corte.**

**⚠ ADVERTENCIA: Para evitar la pérdida de control, SIEMPRE apriete las tuercas de límite de desplazamiento juntas. El movimiento involuntario podría evitar la retracción completa de la broca.**

**⚠ ADVERTENCIA: Para evitar la pérdida de control, coloque las tuercas de límite de desplazamiento para que la broca pueda retraerse en la base del router, alejándola de la pieza de trabajo.**

**⚠ ADVERTENCIA: Para reducir el riesgo de lesiones, NUNCA ajuste ni quite la tuerca de tope. El motor puede desacoplarse dando como resultado la pérdida de control.**

**⚠ ATENCIÓN: Encienda el router antes de bajar el cabezal de corte en la pieza de trabajo.**

1. Desbloquee el mecanismo de caída jalando hacia abajo de la palanca de bloqueo de inmersión 16. Presione suavemente las dos manijas para bajar el router hasta el tope, permitiendo que la broca toque la pieza de trabajo.
2. Bloquee el mecanismo de penetración liberando la palanca de seguro de penetración 16.
3. Afloje la varilla de ajuste de la profundidad 15, girando el tornillo de mariposa 40 en sentido antihorario.
4. Deslice la varilla de ajuste de la profundidad 15 de tal modo que coincida con el tope de torre 14 más bajo.
5. Deslice la lengüeta de ajuste de cero 41 sobre la varilla de ajuste de la profundidad de tal modo que la parte de arriba coincida con el cero en la escala de ajuste de la profundidad 42.
6. Agarrando la parte superior y estriada de la varilla de ajuste de profundidad 15, deslícela hacia arriba de tal modo que la lengüeta 41 se alinee con la profundidad de corte deseada en la escala de ajuste de profundidad 42.
7. Apriete el tornillo de mariposa 40 para mantener la varilla de ajuste de la profundidad en su lugar.
8. Manteniendo las dos manos en las agarraderas, desbloquee el mecanismo de penetración tirando de la palanca de seguro de penetración 16 hacia abajo. El mecanismo de penetración y el motor se moverán hacia arriba. Cuando se hace descender la rebajadora la varilla de ajuste de la profundidad llegará al tope de torre, lo que permite que la rebajadora alcance exactamente la profundidad deseada.

### Uso de la Torreta Giratoria Para Cortes Escalonados (Fig. M)

Si la profundidad de corte requerida es más de lo aceptable en una sola pasada, gire la torreta para que la varilla de profundidad 15 se alinee inicialmente con los toques más altos de la torre. Después de cada corte, gire la torreta de tal modo que el tope de profundidad se alinee con los postes más cortos hasta que se llegue a la profundidad final de corte.

**⚠ ADVERTENCIA: No modifique el tope de torre mientras que la rebajadora esté en funcionamiento. Esto pondrá sus manos demasiado cerca del cabezal de corte.**

## Ajuste Fino de la Profundidad de Rebajado (Fig. M)

La perilla moleteada **43** en la parte de abajo de la varilla de ajuste de la profundidad puede ser utilizada para realizar pequeños ajustes.

1. Para disminuir la profundidad de corte, gire la perilla en sentido horario (mirando hacia abajo desde la parte superior de la rebajadora).
2. Para aumentar la profundidad de corte, gire la perilla en sentido antihorario (mirando hacia abajo desde la parte superior de la rebajadora).

**NOTA:** Una rotación completa de perilla da como resultado en un cambio de alrededor de 1 mm (5/128" o 0,04") en la profundidad.

## Desinstalación del motor de la base de caída (Fig. M)

1. Retire el paquete de batería del motor. Consulte *Instalación y desinstalación de paquete de batería*.
2. Abra la palanca de bloqueo **39** en la base.
3. Sujete la unidad del motor con una mano y la base con la otra mano, jale el motor de la base de caída.

## OPERACIÓN



**ADVERTENCIA:** Para reducir el riesgo de lesiones personales graves, apague la herramienta y desconéctela de la fuente de alimentación retire el paquete de baterías antes de realizar ajustes o de retirar/installar dispositivos o accesorios. Un arranque accidental podría causar lesiones.

## Cómo instalar y retirar la unidad de batería (Fig. N)



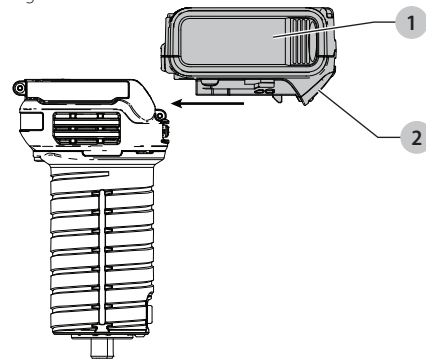
**ATENCIÓN:** Antes de insertar la batería, verifique que el interruptor esté en la posición OFF (apagado). Un arranque accidental puede causar lesiones.

**NOTA:** Para mejores resultados, verifique que su unidad de batería esté completamente cargada.

Para instalar la unidad de batería **1** en el mango de la herramienta, alinee la unidad de batería con los rieles en el interior del mango de la herramienta y deslícela en el mango hasta que la unidad de batería quede firmemente insertada en la herramienta; verifique que ésta no se salga sola.

Para retirar la unidad de batería de la herramienta, presione el botón de liberación **2** y tire firmemente de la de batería para sacarla del mango de la herramienta. Insértela en el cargador tal como se describe en la sección del cargador de este manual.

Fig. N



## Posición adecuada de las manos (Fig. A, O, P)



**ADVERTENCIA:** Para reducir el riesgo de lesión personal grave, tenga **SIEMPRE** las manos en una posición adecuada como se muestra.



**ADVERTENCIA:** Para reducir el riesgo de lesión personal grave, sujete **SIEMPRE** bien en caso de que haya una reacción repentina.

Al usar la base fija, una mano debe estar sobre la batería y la otra alrededor de la base fija (Fig. O). Cuando utilice la base de inmersión, sujete firmemente las manijas laterales **18** (Fig. A) como se muestra en la Fig. P.

Fig. O

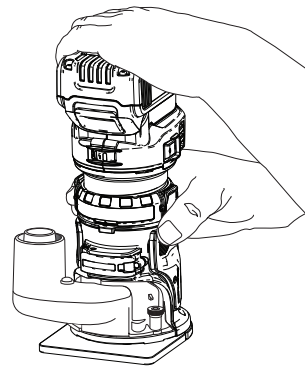
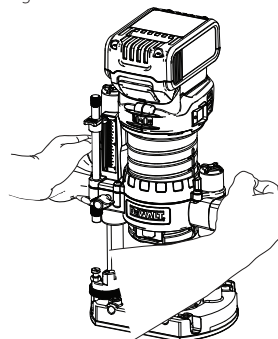


Fig. P



## Arranque y paro del motor (Fig. A, N)

**⚠ ATENCIÓN:** Antes de arrancar la herramienta, limpie el área de trabajo de todos los objetos extraños. También mantenga el agarre firme en la herramienta para resistir el par de arranque.

**⚠ ATENCIÓN:** Para evitar lesiones personales y/o daños en el trabajo terminado, siempre permita que la unidad de potencia se DETENGA POR COMPLETO antes de bajar la herramienta.

Para encender la unidad, presione el lado del interruptor protegido contra polvo **3** que tiene el símbolo "I". Para apagar la unidad, presione el lado del interruptor que tiene el símbolo "O".

### Corte con la base fija

Configure el router para usar la base fija siguiendo las instrucciones en la sección **Ensamble y Ajustes**.

Después de configurar el router, instale la batería como se muestra en la Fig. N, luego configure la velocidad del router (consulte **Selección de velocidad del router**).

**NOTA:** Alimente siempre el router en dirección opuesta a la dirección en que gira el cortador.

### Corte con la base de caída (Fig. A, P)

**NOTA:** La profundidad de corte se bloquea en el estado predeterminado de la base de caída. El bloqueo de caída requiere la activación por parte del usuario para habilitar el mecanismo de caída de "liberación para bloquear".

**NOTA:** Sujete ambas manijas laterales **18** durante la operación.

1. Presione la palanca de seguro de penetración **16** y haga descender la rebajadora hasta que la broca alcance la profundidad ajustada.

2. Suelte la palanca de seguro de penetración **16** cuando se llegue a la profundidad deseada.

**NOTA:** Al soltar la palanca de seguro de penetración el motor queda automáticamente bloqueado en su lugar.

**NOTA:** Si es necesaria resistencia adicional utilice la mano para presionar la palanca de seguro de penetración.

3. Realice el corte.

4. El hundir la palanca de seguro de penetración desactivará el mecanismo de bloqueo de la broca permitiendo que la rebajadora se desengrane de la pieza de trabajo.

5. Apague la rebajadora.

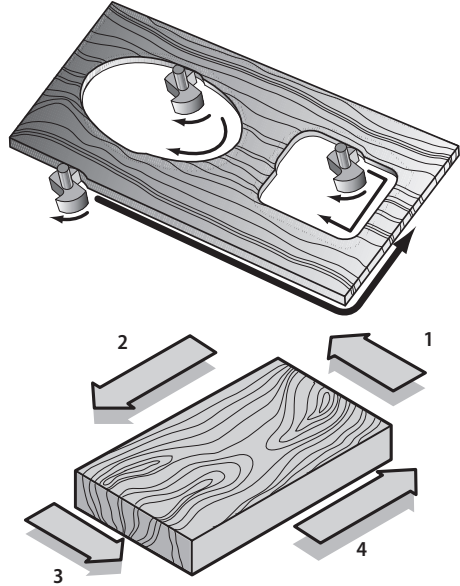
### Dirección de la Alimentación (Fig. Q)

La dirección de alimentación es muy importante al rebajar y puede marcar la diferencia entre un trabajo exitoso y arruinar un proyecto. Las figuras muestran la dirección correcta de alimentación para algunos cortes típicos. Una regla general a seguir es el mover la rebajadora en sentido antihorario en una corte exterior y en sentido horario en un corte interior.

Para dar forma a los bordes de una pieza, siga estos pasos:

1. Dé forma al extremo rugoso, de izquierda a derecha
2. Dé forma a la cara lisa moviendo de izquierda a derecha
3. Corte el otro extremo rugoso
4. Termine con el extremo liso que falta

Fig. Q



## Elección de Velocidad de la Rebajadora (Fig. A)

Refiérase al **Gráfico para selección de velocidad** a fin de escoger una velocidad para la rebajadora. Gire el selector de velocidad variable **4** para controlar la velocidad de la rebajadora.

## Función de Arranque Progresivo (Todos Los Modelos)

Las rebajadoras compactas están equipadas con dispositivos electrónicos para proporcionar una función de arranque progresivo que minimiza el par de arranque del motor.

## Control de Velocidad Variable (Todas Las Unidades) (Fig. A)

**⚠ ADVERTENCIA:** Si el control de velocidad deja de funcionar o es intermitente, deje de usar la herramienta inmediatamente. Llévelo a un centro de servicio de fábrica DEWALT o a un centro de servicio autorizado DEWALT para su reparación.

**⚠ ADVERTENCIA:** Siempre siga las recomendaciones de velocidad del fabricante de las brocas, ya que algunos diseños de brocas requieren velocidades específicas para la seguridad o el desempeño. Si no está seguro de la velocidad adecuada o está experimentando algún tipo de problema, póngase en contacto con el fabricante de la broca.

Este router está equipado con una carátula de velocidad variable **4** con 7 velocidades entre 16000 y 25500 RPM. Ajuste la velocidad girando la carátula de velocidad variable **4**.

**AVISO:** El router está equipado con componentes electrónicos para monitorear y mantener la velocidad de la herramienta durante el corte. En la operación a velocidad baja y media, el control de velocidad evita que disminuya la velocidad del motor. Si usted espera oír un cambio de velocidad y continúa cargando el motor, puede dañar el motor por sobrecalentamiento. Reduzca la profundidad de corte y/o disminuya el ritmo de alimentación para evitar daños a la herramienta.

Las rebajadoras compactas están equipadas con dispositivos electrónicos para vigilar y mantener la velocidad de la herramienta durante el corte.

#### GRÁFICO PARA SELECCIÓN DE VELOCIDAD\*

AJUSTE DEL SELECTOR	RPM APPROX.	APLICACIÓN
1	16000	Brocas y cuchillas de gran diámetro
2	17500	
3	19100	
4	20700	Brocas y cuchillas de pequeño diámetro. Maderas blandas, plásticos, laminados.
5	22300	
6	23900	
7	25500	

\*Las velocidades en esta tabla son aproximadas y son sólo para referencia. Es posible que su router no produzca exactamente la velocidad indicada para la el ajuste de la carátula.

**NOTA:** Hacer varias pasadas suaves en lugar de una sola pasada fuerte para lograr un trabajo de mejor calidad.

## Luces de trabajo (Fig. A)

Las luces de trabajo **10** están ubicadas en la parte delantera del motor **6**. Para encender la luz de trabajo, encienda el interruptor on/off **3**. Las luces de trabajo permanecerán encendidas 20 segundos después que el interruptor on/off se mueva a la posición de apagado.

**NOTA:** Las luces de trabajo son para iluminar la superficie de trabajo inmediata y no están diseñados para usarse como linterna.

**NOTA:** Si las luces de trabajo parpadean, verifique la carga de la batería; podría ser baja. Si aún parpadean con una batería cargada, debe llevar la unidad a un centro de servicio para su evaluación.

## MANTENIMIENTO



**ADVERTENCIA:** Para reducir el riesgo de lesiones personales graves, apague la herramienta y desconéctela de la fuente de alimentación retire el paquete de baterías antes de realizar ajustes o de retirar/instalar dispositivos o accesorios. Un arranque accidental podría causar lesiones.

## Limpieza



**ADVERTENCIA:** Sople la suciedad y el polvo de todos los conductos de ventilación con aire seco, al menos una vez por semana. Para reducir el riesgo de lesiones, utilice siempre protección para los ojos aprobada ANSI Z87.1 al realizar esta tarea.



**ADVERTENCIA:** Nunca utilice solventes ni otros químicos abrasivos para limpiar las piezas no metálicas de la herramienta. Estos productos químicos pueden debilitar los materiales plásticos utilizados en estas piezas. Utilice un paño humedecido sólo con agua y jabón neutro. Nunca permita que penetre líquido dentro de la herramienta ni sumerja ninguna de las piezas en un líquido.

**NOTA PARA LA BASE DE CAÍDA SOLAMENTE:** Sólo use una tela SECA para limpiar las varillas de caída. Estas varillas no requieren lubricación. Los lubricantes atraen el polvo, reduciendo el desempeño de su herramienta.

## Para encerar el motor y la base

Para mantener un funcionamiento suave al mover la unidad de motor en relación con la base, la parte exterior de la unidad de motor y el interior de la base pueden ser enceradas utilizando cualquier pasta de cera o cera líquida estándar. Por instrucciones del fabricante, frote la cera sobre el diámetro exterior de la unidad de motor y el diámetro interior de la base. Deje secar la cera y pula el residuo con un paño suave.

## Accesorios



**ADVERTENCIA:** Debido a que no se han probado con este producto otros accesorios que no sean los que ofrece DEWALT, el uso de dichos accesorios con esta herramienta podría ser peligroso. Para reducir el riesgo de lesiones, con este producto deben usarse sólo los accesorios recomendados por DEWALT.

Los accesorios que se recomiendan para utilizar con la herramienta están disponibles a un costo adicional en su distribuidor local o en un centro de mantenimiento autorizado. Si necesita ayuda para localizar algún accesorio, póngase en contacto con DEWALT Industrial Tool Co., 701 East Joppa Road, Towson, MD 21286, llame al 1-800-4-DEWALT (1-800-433-9258) o visite nuestro sitio web: [www.dewalt.com](http://www.dewalt.com).

## Reparaciones

El cargador y las unidades de batería no pueden ser reparados.



**ADVERTENCIA:** Para asegurar la SEGURIDAD y la CONFIABILIDAD del producto, las reparaciones, el mantenimiento y los ajustes (inclusive la inspección y el cambio de las escobillas, cuando proceda) deben ser realizados en un centro de mantenimiento en la fábrica DEWALT u en un centro de mantenimiento autorizado DEWALT. Utilice siempre piezas de repuesto idénticas.

## ESPAÑOL

**Para reparación y servicio de sus herramientas eléctricas, favor de dirigirse al Centro de Servicio más cercano**

### CULIACAN, SIN

Bldv. Emiliano Zapata 5400-1 Poniente Col. (667) 717 89 99  
San Rafael

### GUADALAJARA, JAL

Av. La Paz #1779 - Col. Americana Sector (33) 3825 6978  
Juárez

### MEXICO, D.F.

Eje Central Lázaro Cárdenas No. 18 - Local (55) 5588 9377  
D, Col. Obrera

### MERIDA, YUC

Calle 63 #459-A - Col. Centro (999) 928 5038

### MONTERREY, N.L.

Av. Francisco I. Madero 831 Poniente - Col. (818) 375 23 13  
Centro

### PUEBLA, PUE

17 Norte #205 - Col. Centro (222) 246 3714

### QUERETARO, QRO

Av. San Roque 274 - Col. San Gregorio (442) 2 17 63 14

### SAN LUIS POTOSI, SLP

Av. Universidad 1525 - Col. San Luis (444) 814 2383

### TORREON, COAH

Bldv. Independencia, 96 Pte. - Col. Centro (871) 716 5265

### VERACRUZ, VER

Prolongación Díaz Mirón #4280 - Col. (229) 921 7016  
Remes

### VILLAHERMOSA, TAB

Constitución 516-A - Col. Centro (993) 312 5111

#### PARA OTRAS LOCALIDADES:

**Si se encuentra en México, por favor llame al  
(55) 5326 7100**

**Si se encuentra en U.S., por favor llame al  
1-800-433-9258 (1-800 4-DEWALT)**

## Póliza de Garantía

IDENTIFICACIÓN DEL PRODUCTO:

Sello o firma del Distribuidor.

Nombre del producto: \_\_\_\_\_

Mod./Cat.: \_\_\_\_\_

Marca: \_\_\_\_\_

Núm. de serie: \_\_\_\_\_

(Datos para ser llenados por el distribuidor)

Fecha de compra y/o entrega del producto: \_\_\_\_\_

Nombre y domicilio del distribuidor donde se adquirió el producto: \_\_\_\_\_

Este producto está garantizado por un año a partir de la fecha de entrega, contra cualquier defecto en su funcionamiento, así como en materiales y mano de obra empleados para su fabricación. Nuestra garantía incluye la reparación o reposición del producto y/o componentes sin cargo alguno para el cliente, incluyendo mano de obra, así como los gastos de transportación razonablemente erogados derivados del cumplimiento de este certificado. Para hacer efectiva esta garantía deberá presentar su herramienta y esta póliza sellada por el establecimiento comercial donde se adquirió el producto, de no contar con ésta, bastará la factura de compra.

## Excepciones

Esta garantía no será válida en los siguientes casos:

- Cuando el producto se hubiese utilizado en condiciones distintas a las normales;
- Cuando el producto no hubiese sido operado de acuerdo con el instructivo de uso que se acompaña;
- Cuando el producto hubiese sido alterado o reparado por personas distintas a las enlistadas al final de este certificado.

Anexo encontrará una relación de sucursales de servicio de fábrica, centros de servicio autorizados y franquiciados en la República Mexicana, donde podrá hacer efectiva su garantía y adquirir partes, refacciones y accesorios originales.

## Registro en línea

Gracias por su compra. Registre su producto ahora para:

- **SERVICIO EN GARANTÍA:** Si completa esta tarjeta, podrá obtener un servicio en garantía más eficiente, en caso de que exista un problema con su producto.
- **CONFIRMACIÓN DE PROPIEDAD:** En caso de una pérdida que cubra el seguro, como un incendio, una inundación o un robo, el registro de propiedad servirá como comprobante de compra.
- **PARA SU SEGURIDAD:** Si registra el producto, podremos comunicarnos con usted en el caso improbable que se deba enviar una notificación de seguridad conforme a la Federal Consumer Safety Act (Ley Federal de Seguridad de Productos para el Consumidor).

Registro en línea en [www.dewalt.com/register](http://www.dewalt.com/register).

## Garantía limitada por tres años

DEWALT reparará, sin cargo, cualquier falla que surja de defectos en el material o la fabricación del producto, por hasta tres años a contar de la fecha de compra. Esta garantía no cubre fallas de las piezas causadas por su desgaste normal o abuso a la herramienta. Para mayores detalles sobre la cobertura de la garantía e información acerca de reparaciones realizadas bajo garantía, visítenos en [www.dewalt.com](http://www.dewalt.com) o diríjase al centro de servicio más cercano. Esta garantía no aplica a accesorios o a daños causados por reparaciones realizadas o intentadas por terceros. ESTA GARANTÍA LIMITADA SE OTORGA EN VEZ DE TODAS LAS DEMÁS, INCLUIDA LA GARANTÍA IMPLÍCITA DE COMERCIABILIDAD Y APTITUD PARA UN FIN PARTICULAR, Y EXCLUYE TODOS LOS DAÑOS INCIDENTALES O

CONSECUENTES. Algunos estados no permiten limitaciones sobre la duración de una garantía implícita, o la exclusión o limitación de daños incidentales o consecuentes, así que estas limitaciones pueden no aplicarse a usted. Esta garantía le otorga derechos legales específicos, además de los cuales usted puede tener otros derechos dependiendo del estado o la provincia en que se encuentre.

Además de la garantía, las herramientas DEWALT están cubiertas por:

### 1 AÑO DE SERVICIO GRATUITO

DEWALT mantendrá la herramienta y reemplazará las piezas gastadas por su uso normal, sin cobro, en cualquier momento durante un año a contar de la fecha de compra.

### 2 AÑOS DE SERVICIO GRATUITO PARA UNIDADES DE ALIMENTACIÓN DEWALT

DC9071, DC9091, DC9096, DC9182, DC9280, DC9360, DCB120, DCB127, DCB201, DCB203BT, DCB207, DCB361

### 3 AÑOS DE SERVICIO GRATUITO PARA UNIDADES DE ALIMENTACIÓN DEWALT

DCB200, DCB204, DCB204BT, DCB203, DCB205, DCB205BT, DCB206, DCB230, DCB606, DCB609

**NOTA:** La garantía del producto quedará nula si la unidad de batería ha sido alterada de cualquier manera. DEWALT no es responsable de ninguna lesión causada por alteraciones y podría iniciar un procedimiento judicial por fraude de garantía hasta el máximo grado permisible por la ley.

### GARANTÍA DE REEMBOLSO DE SU DINERO POR 90 DÍAS

Si no está completamente satisfecho con el desempeño de su máquina herramienta, láser o clavadora DEWALT, cualquiera sea el motivo, podrá devolverlo hasta 90 días de la fecha de compra con su recibo y obtener el reembolso completo de su dinero – sin necesidad de responder a ninguna pregunta.

**AMÉRICA LATINA:** Esta garantía no se aplica a los productos que se venden en América Latina. Para los productos que se venden en América Latina, debe consultar la información de la garantía específica del país que viene en el empaque, llamar a la compañía local o visitar el sitio Web a fin de obtener esa información.

### REEMPLAZO GRATUITO DE LAS ETIQUETAS DE

**ADVERTENCIAS:** Si sus etiquetas de advertencia se vuelven ilegibles o faltan, llame al 1-800-433-9258 (1-800-4-DEWALT) para que se le reemplacen gratuitamente.

### ESPECIFICACIONES

DCW600      20 V Máx\*      16000-25500/min (rpm)

Solamente para propósito de México:

Importado por: DEWALT Industrial Tool Co. S.A. de C.V.  
Avenida Antonio Dovali Jaime, # 70 Torre B Piso 9

Colonia La Fe, Santa Fé  
Código Postal : 01210  
Delegación Alvaro Obregón  
México D.F.  
Tel. (52) 555-326-7100  
R.F.C.: BDE810626-1W7

## DeWALT BATTERY AND CHARGER SYSTEMS

**Chargers/Charge Time (Minutes) . Chargeurs/Durée de charge (Minutes) .  
Cargadores de baterías/Tiempo de carga (Minutos)**

Battery Cat #	Output Voltage	120 Volts														12 Volts			
		DC9000	DC9310	DC9320	DC8095	DC8102	DC8103	DC8104	DC8107	DC8112	DC8113	DC8114	DC8115	DC8116	DC8118	DC8132	DC8119	DW0249	DC8412
DCB612	20/60	X	X	X	X	190	190	100	570	360	290	X	170	X	100	170	X	X	X
DCB609	20/60	X	X	X	X	135	135	75	432	270	230	X	135	X	75	135	X	X	X
DCB606	20/60	X	X	X	X	100	100	60	272	170	140	X	90	X	60	90	X	X	X
DCB404	40	X	X	X	X	X	X	X	X	X	X	90	X	30	X	X	X	X	130
DCB406	40	X	X	X	X	X	X	X	X	X	X	130	X	45	X	X	X	X	190
DCB407	40	X	X	X	X	X	X	X	X	X	X	170	X	60	X	X	X	X	235
DC9360	36	45	X	X	X	X	X	X	X	X	X	X	X	X	X	X	X	X	X
DCB361	36	45	X	X	X	X	X	X	X	X	X	X	X	X	X	X	X	X	X
DC9280	28	60	X	X	X	X	X	X	X	X	X	X	X	X	X	X	X	X	X
DW0242	24	X	X	X	X	X	X	X	X	X	X	X	X	X	X	X	X	60	X
DCB200	20	X	X	X	X	60	60	45/30**	140	90	67	X	45	X	45/30**	45	90	X	X
DCB201	20	X	X	X	X	30	30	22	70	45	35	X	22	X	22	22	45	X	X
DCB203	20	X	X	X	X	35	35	30	90	60	45	X	30	X	30	30	60	X	X
DCB203BT*	20	X	X	X	X	35	35	30	90	60	45	X	30	X	30	30	60	X	X
DCB204	20	X	X	X	X	70	70	60/40**	185	120	90	X	60	X	60/40**	60	120	X	X
DCB205	20	X	X	X	X	95	95	75/47**	240	150	112	X	75	X	75/47**	75	150	X	X
DCB205BT*	20	X	X	X	X	95	95	75	240	150	112	X	75	X	75	75	150	X	X
DCB206	20	X	X	X	X	100	100	60	272	170	140	X	90	X	60	90	X	X	X
DCB207	20	X	X	X	X	30	30	22	60	40	30	X	22	X	22	22	X	X	X
DCB230	20	X	X	X	X	60	60	45	140	90	67	X	45	X	45	45	90	X	X
DC9182	18	X	40	40	X	X	40	X	X	X	X	X	X	X	X	X	X	40	X
DCB120	12	X	X	X	X	30	30	20	60	45	35	X	20	X	X	X	45	X	X
DCB127	12	X	X	X	X	35	35	30	90	60	50	X	30	X	X	X	60	X	X
DCB080	8	X	X	X	60	X	X	X	X	X	X	X	X	X	X	X	X	X	X

\*BT - Bluetooth\* **NOTE:** The Bluetooth® word mark and logos are registered trademarks owned by the Bluetooth®, SIG, Inc. and any use of such marks by DeWALT is under license. Other trademarks and trade names are those of their respective owners.

\*\*Battery Datecode 201536 or later.

"X" Indicates that the battery pack is not compatible with that specific charger. All charge times are approximate. Actual charge time may vary. Read the instruction manual for more specific information.

"X" indique que le bloc-piles n'est pas compatible avec ce chargeur. Les durées de charge sont approximatives; la durée de charge réelle peut varier. Lire le manuel d'utilisation pour obtenir des renseignements plus précis.

Una "X" indica que el paquete de baterías no es compatible con ese determinado cargador. El tiempo de duración de carga es aproximado; la duración de carga real puede variar. Lea el manual de instrucciones para obtener información más precisa.

\*Maximum initial battery voltage (measured without a workload) is 12, 20, 60 or 120 volts. Nominal voltage is 10.8, 18, 54 or 108. (120V Max\* is based on using 2 DeWALT 60V Max\* lithium-ion batteries combined.)

\*La tension initiale maximum du bloc-piles (mesurée à vide) est de 12, 20, 60 ou 120 volts. La tension nominale est de 10,8, 18, 54 ou 108. (120 V max\* se base sur l'utilisation combinée de 2 blocs-piles au lithium ion DeWALT de 60 V max\*.)

\*El máximo voltaje inicial de la batería (medido sin carga de trabajo) es 12, 20, 60 o 120 voltios. El voltaje nominal es de 10,8, 18, 54 o 108. (120 V Máx\* se basan en el uso de 2 baterías de iones de litio DeWALT de 60 V Máx\* combinadas.)

DeWALT Industrial Tool Co., 701 East Joppa Road, Towson, MD 21286  
(OCT18) Part No. N593981 DCW600 Copyright © 2018 DeWALT

The following are trademarks for one or more DeWALT power tools: the yellow and black color scheme, the "D" shaped air intake grill, the array of pyramids on the handgrip, the kit box configuration, and the array of lozenge-shaped humps on the surface of the tool.