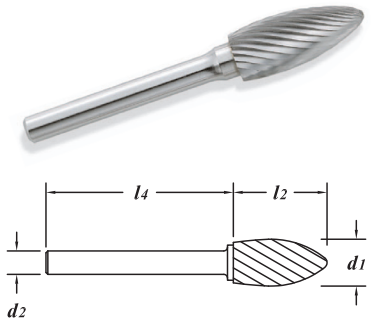


SH (1/4" Steel Shank)

Carbide Rotary Files - Flame Shape

Submicron Grain Carbide

D - Double Cut



EDP#	TOOL #	d_1 † Diameter		d_2 Shank Diameter	l_2 Flute Length	l_4 Shank Length	1-11	12-24	25-49	50-100	
		Decimal	Metric								
66010	SH-2	.3125	5/16"	7.938	1/4"	3/4"	1-3/4"	12.94	12.38	11.81	11.25
66012	SH-2D	.3125	5/16"	7.938	1/4"	3/4"	1-3/4"	12.94	12.38	11.81	11.25
66020	SH-5	.5000	1/2"	12.700	1/4"	1-1/4"	1-3/4"	26.44	25.29	24.14	22.99
66022	SH-5D	.5000	1/2"	12.700	1/4"	1-1/4"	1-3/4"	26.44	25.29	24.14	22.99
66030	SH-6	.6250	5/8"	15.875	1/4"	1-7/16"	1-3/4"	34.66	33.15	31.65	30.14
66032	SH-6D	.6250	5/8"	15.875	1/4"	1-7/16"	1-3/4"	34.66	33.15	31.65	30.14
66040	SH-7	.7500	3/4"	19.050	1/4"	1-5/8"	1-3/4"	42.60	40.74	38.89	37.04
66042	SH-7D	.7500	3/4"	19.050	1/4"	1-5/8"	1-3/4"	42.60	40.74	38.89	37.04