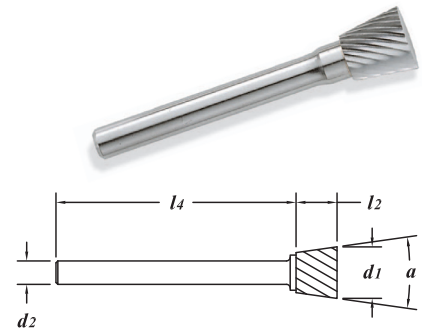


Carbide Rotary Files - Inverted Cone Shape

Submicron Grain Carbide

D - Double Cut

* - Solid Carbide



EDP#	TOOL #	$d1$ †		$d2$ Shank Diameter	a Included Angle	$l2$ Flute Length	$l4$ Shank Length	1-11	12-24	25-49	50-100	
		Decimal	Diameter									Metric
71010	* SN-1	.2500	1/4"	6.350	1/4"	10°	5/16"	1-3/4"	10.58	10.12	9.66	9.20
71012	* SN-1D	.2500	1/4"	6.350	1/4"	10°	5/16"	1-3/4"	10.58	10.12	9.66	9.20
71020	SN-2	.3750	3/8"	9.525	1/4"	13°	3/8"	1-3/4"	13.21	12.64	12.06	11.49
71022	SN-2D	.3750	3/8"	9.525	1/4"	13°	3/8"	1-3/4"	13.21	12.64	12.06	11.49
71030	SN-3	.5000	1/2"	12.700	1/4"	16°	1/2"	1-3/4"	18.22	17.42	16.63	15.84
71032	SN-3D	.5000	1/2"	12.700	1/4"	16°	1/2"	1-3/4"	18.22	17.42	16.63	15.84

