

WRENCHES



Ratcheting Wrenches

Non-Ratcheting Wrenches



RATCHETING WRENCHES

Surface Drive® box reduces fastener rounding

Ratcheting box end needs as little as 5° to move fasteners versus 30° for standard box end wrenches

Patented award-winning design

Up to 25% longer to access hard-to-reach fasteners

Hex head set screw, instead of being pinned

Flexible Head

X-Beam™ allows you to apply force to the flat side of the wrench, reducing hand fatigue

XL X-Beam Flex Ratcheting Wrench™

AVAILABLE IN:



XL Combination



XL X-Beam™



XL Locking Flex



XL Spline



XL GearBox™



Reversible



Flex



Subby Flex



Combination



Stubby



QuadBox™



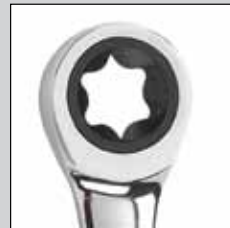
Double Box



Half Moon



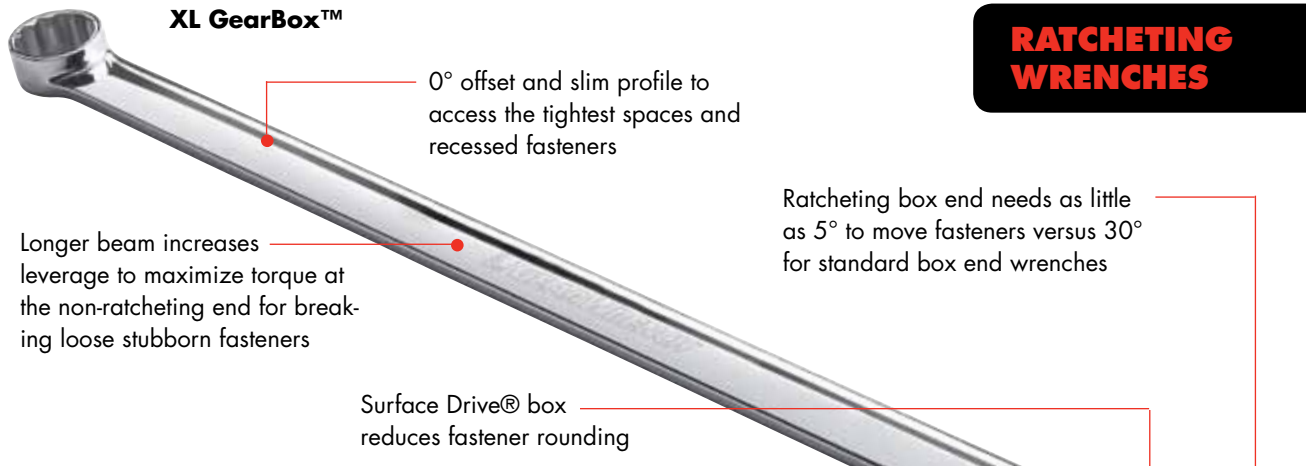
S-Shape



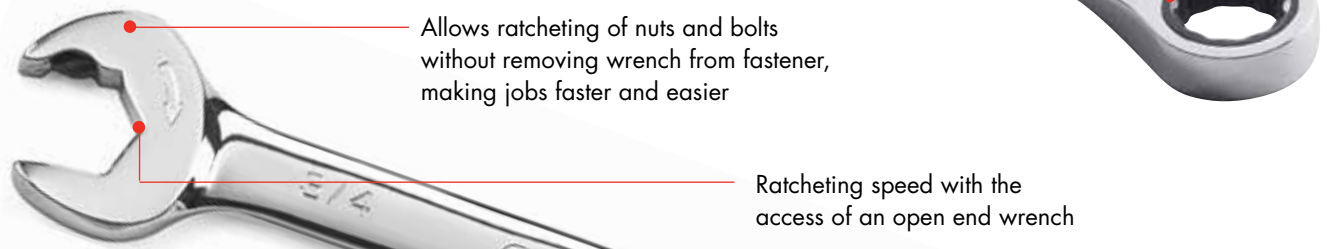
E-Torx®

WRENCHES

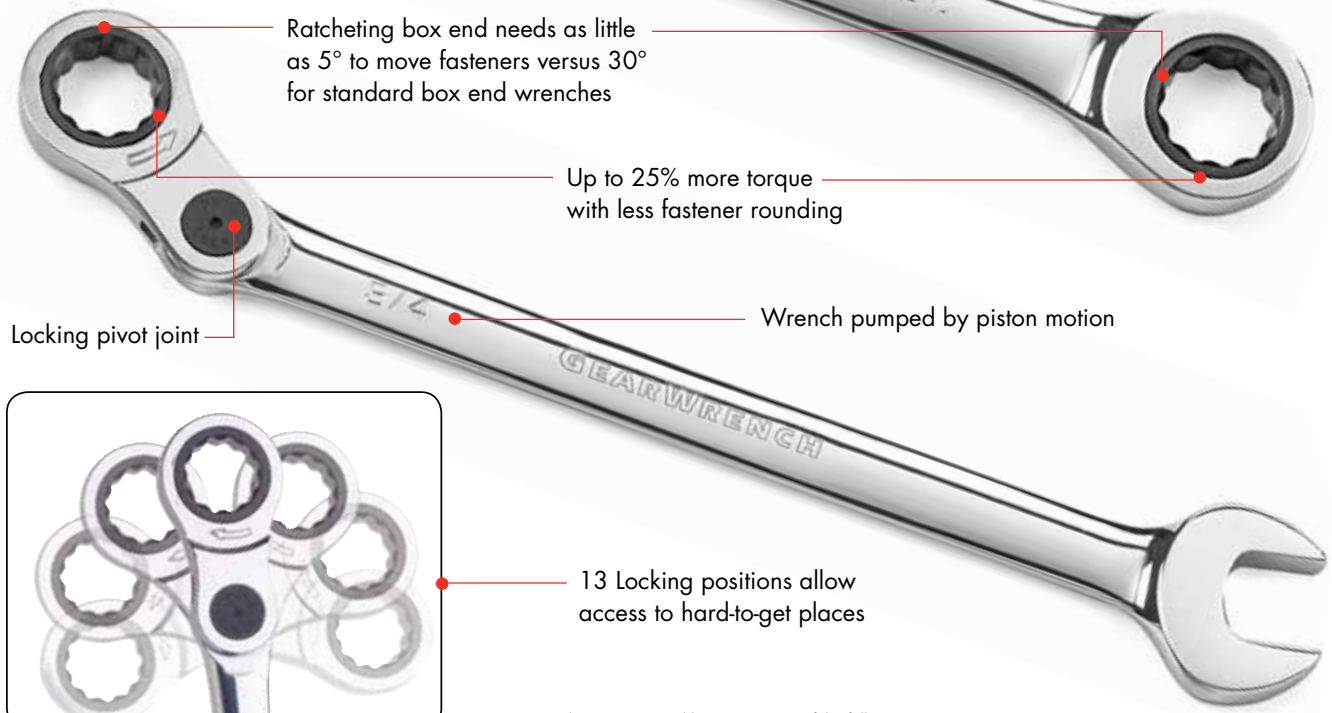
RATCHETING WRENCHES



Open Ended Ratcheting Wrench



Indexing Ratcheting Wrench



Products are covered by one or more of the following patents:
 • US 5,636,557 US 6,629,477 US 6,918,477 US 7,131,356 US 7,000,507
 US 7,165,480 US 6,868,709 US 7,231,851 US 6,840,141

WRENCHES

XL X-Beam™ *Designed to work with your Hands*



85888 - 12 Pc. XL X-Beam™ Combination Ratcheting Wrench Set METRIC

Item No.	Description	
85808	8 mm	XL X-Beam™ Combination Ratcheting Wrench
85809	9 mm	XL X-Beam™ Combination Ratcheting Wrench
85810	10 mm	XL X-Beam™ Combination Ratcheting Wrench
85811	11 mm	XL X-Beam™ Combination Ratcheting Wrench
85812	12 mm	XL X-Beam™ Combination Ratcheting Wrench
85813	13 mm	XL X-Beam™ Combination Ratcheting Wrench
85814	14 mm	XL X-Beam™ Combination Ratcheting Wrench
85815	15 mm	XL X-Beam™ Combination Ratcheting Wrench
85816	16 mm	XL X-Beam™ Combination Ratcheting Wrench
85817	17 mm	XL X-Beam™ Combination Ratcheting Wrench
85818	18 mm	XL X-Beam™ Combination Ratcheting Wrench
85819	19 mm	XL X-Beam™ Combination Ratcheting Wrench



85898 - 9 Pc. XL X-Beam™ Combination Ratcheting Wrench Set SAE

Item No.	Description	
85850	5/16"	XL X-Beam™ Combination Ratcheting Wrench
85851	11/32"	XL X-Beam™ Combination Ratcheting Wrench
85852	3/8"	XL X-Beam™ Combination Ratcheting Wrench
85854	7/16"	XL X-Beam™ Combination Ratcheting Wrench
85856	1/2"	XL X-Beam™ Combination Ratcheting Wrench
85858	9/16"	XL X-Beam™ Combination Ratcheting Wrench
85860	5/8"	XL X-Beam™ Combination Ratcheting Wrench
85862	11/16"	XL X-Beam™ Combination Ratcheting Wrench
85864	3/4"	XL X-Beam™ Combination Ratcheting Wrench

SETS
WRENCHES

XL X-Beam™ *Designed to work with your Hands*

85288 - 12 Pc. XL X-Beam™ Flex Combination Ratcheting Wrench Set METRIC

Item No.	Description
85258	8 mm XL X-Beam™ Flex Combination Ratcheting Wrench
85259	9 mm XL X-Beam™ Flex Combination Ratcheting Wrench
85260	10 mm XL X-Beam™ Flex Combination Ratcheting Wrench
85261	11 mm XL X-Beam™ Flex Combination Ratcheting Wrench
85262	12 mm XL X-Beam™ Flex Combination Ratcheting Wrench
85263	13 mm XL X-Beam™ Flex Combination Ratcheting Wrench
85264	14 mm XL X-Beam™ Flex Combination Ratcheting Wrench
85265	15 mm XL X-Beam™ Flex Combination Ratcheting Wrench
85266	16 mm XL X-Beam™ Flex Combination Ratcheting Wrench
85267	17 mm XL X-Beam™ Flex Combination Ratcheting Wrench
85268	18 mm XL X-Beam™ Flex Combination Ratcheting Wrench
85269	19 mm XL X-Beam™ Flex Combination Ratcheting Wrench



85298 - 9 Pc. XL X-Beam™ Flex Combination Ratcheting Wrench Set SAE

Item No.	Description
85270	5/16" XL X-Beam™ Flex Combination Ratcheting Wrench
85271	11/32" XL X-Beam™ Flex Combination Ratcheting Wrench
85272	3/8" XL X-Beam™ Flex Combination Ratcheting Wrench
85274	7/16" XL X-Beam™ Flex Combination Ratcheting Wrench
85276	1/2" XL X-Beam™ Flex Combination Ratcheting Wrench
85278	9/16" XL X-Beam™ Flex Combination Ratcheting Wrench
85280	5/8" XL X-Beam™ Flex Combination Ratcheting Wrench
85282	11/16" XL X-Beam™ Flex Combination Ratcheting Wrench
85284	3/4" XL X-Beam™ Flex Combination Ratcheting Wrench



SETS
WRENCHES

XL X-Beam™ *Designed to work with your Hands*



85388 - 12 Pc. XL X-Beam™ Reversible Combination Ratcheting Wrench Set METRIC

Item No.	Description
85308	8 mm XL X-Beam™ Reversible Combo Ratcheting Wrench
85309	9 mm XL X-Beam™ Reversible Combo Ratcheting Wrench
85310	10 mm XL X-Beam™ Reversible Combo Ratcheting Wrench
85311	11 mm XL X-Beam™ Reversible Combo Ratcheting Wrench
85312	12 mm XL X-Beam™ Reversible Combo Ratcheting Wrench
85313	13 mm XL X-Beam™ Reversible Combo Ratcheting Wrench
85314	14 mm XL X-Beam™ Reversible Combo Ratcheting Wrench
85315	15 mm XL X-Beam™ Reversible Combo Ratcheting Wrench
85316	16 mm XL X-Beam™ Reversible Combo Ratcheting Wrench
85317	17 mm XL X-Beam™ Reversible Combo Ratcheting Wrench
85318	18 mm XL X-Beam™ Reversible Combo Ratcheting Wrench
85319	19 mm XL X-Beam™ Reversible Combo Ratcheting Wrench

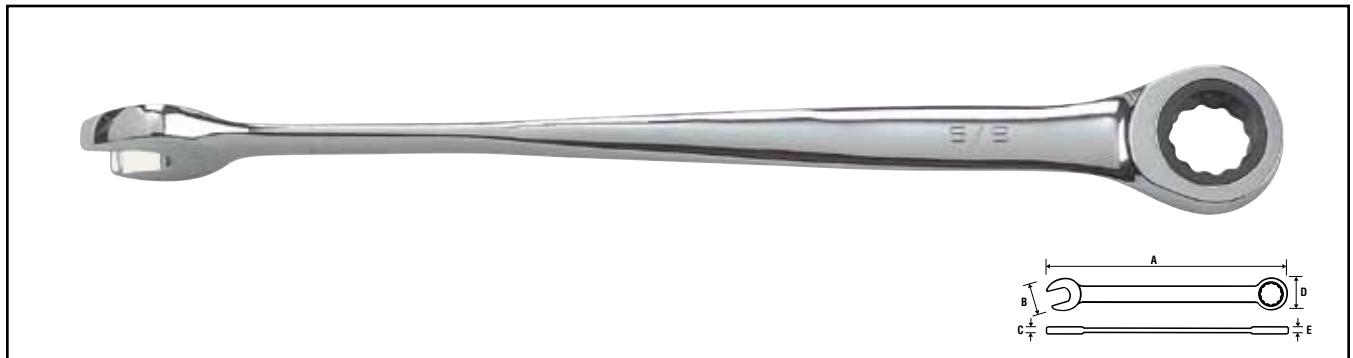


85398 - 9 Pc. XL X-Beam™ Reversible Combination Ratcheting Wrench Set SAE

Item No.	Description
85360	5/16" XL X-Beam™ Reversible Combo Ratcheting
85361	11/32" XL X-Beam™ Reversible Combo Ratcheting
85362	3/8" XL X-Beam™ Reversible Combo Ratcheting
85364	7/16" XL X-Beam™ Reversible Combo Ratcheting
85366	1/2" XL X-Beam™ Reversible Combo Ratcheting
85368	9/16" XL X-Beam™ Reversible Combo Ratcheting
85370	5/8" XL X-Beam™ Reversible Combo Ratcheting
85372	11/16" XL X-Beam™ Reversible Combo Ratcheting
85374	3/4" XL X-Beam™ Reversible Combo Ratcheting

SETS
WRENCHES

XL X-Beam™ *Designed to work with your Hands*

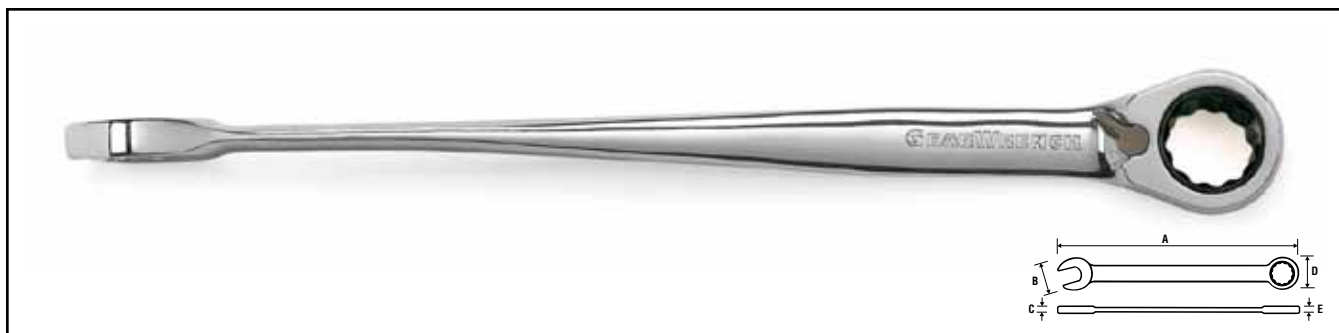


Open Stock - XL X-Beam™ Combination Ratcheting Wrench SAE/METRIC

Item No.	Opening Inches/Metric	Overall Length (inch) A	Width Open End (inch) B	Thickness Open End (inch) C	Width Box End (inch) D	Thickness Box End (inch) E	Weight (lbs)
85850	5/16"	5.910	0.770	0.200	0.670	0.270	0.086
85851	11/32"	6.500	0.770	0.210	0.700	0.270	0.106
85852	3/8"	7.090	0.860	0.220	0.780	0.300	0.121
85854	7/16"	7.680	0.950	0.250	0.850	0.320	0.167
85856	1/2"	8.660	1.150	0.320	0.980	0.340	0.246
85858	9/16"	9.250	1.230	0.330	1.040	0.370	0.290
85860	5/8"	10.240	1.360	0.350	1.200	0.410	0.409
85862	11/16"	10.830	1.490	0.360	1.270	0.420	0.530
85864	3/4"	12.010	1.630	0.370	1.340	0.440	0.642
85808	8 mm	5.910	0.770	0.200	0.670	0.270	0.086
85809	9 mm	6.500	0.770	0.210	0.700	0.270	0.106
85810	10 mm	7.090	0.860	0.220	0.780	0.300	0.121
85811	11 mm	7.680	0.950	0.250	0.850	0.320	0.167
85812	12 mm	8.150	1.050	0.290	0.910	0.340	0.209
85813	13 mm	8.660	1.150	0.320	0.980	0.340	0.246
85814	14 mm	9.250	1.230	0.330	1.040	0.370	0.290
85815	15 mm	9.840	1.330	0.330	1.130	0.390	0.326
85816	16 mm	10.240	1.360	0.350	1.200	0.410	0.409
85817	17 mm	10.830	1.490	0.360	1.270	0.420	0.458
85818	18 mm	11.420	1.580	0.370	1.310	0.440	0.530
85819	19 mm	12.010	1.630	0.370	1.340	0.440	0.642

OPEN STOCK
WRENCHES

XL X-Beam™ *Designed to work with your Hands*



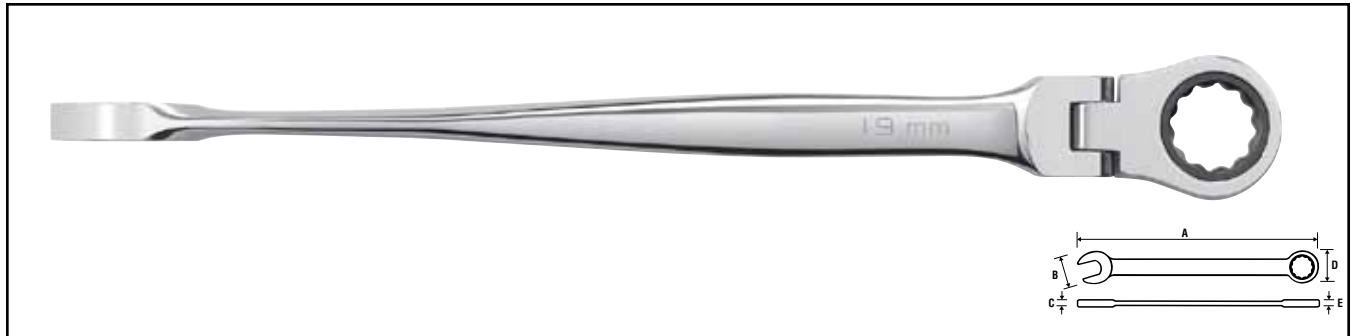
Open Stock - XL X-Beam™ Reversible Combination Ratcheting Wrench SAE/METRIC

Item No.	Opening Inches/Metric	Overall Length (inch) A	Width Open End (inch) B	Thickness Open End (inch) C	Width Box End (inch) D	Thickness Box End (inch) E	Weight (lbs)
85360	5/16"	5.910	0.770	0.200	0.670	0.270	0.084
85361	11/32"	6.500	0.770	0.210	0.700	0.270	0.108
85362	3/8"	7.090	0.860	0.220	0.780	0.300	0.141
85364	7/16"	7.680	0.950	0.250	0.850	0.320	0.187
85366	1/2"	8.660	1.150	0.320	0.980	0.340	0.256
85368	9/16"	9.250	1.230	0.330	1.040	0.370	0.308
85370	5/8"	10.240	1.360	0.350	1.200	0.410	0.449
85372	11/16"	10.830	1.490	0.360	1.270	0.420	0.532
85374	3/4"	12.010	1.630	0.370	1.340	0.440	0.656
85308	8 mm	5.910	0.770	0.20	0.670	0.270	0.084
85309	9 mm	6.500	0.770	0.210	0.700	0.270	0.108
85310	10 mm	7.090	0.860	0.220	0.780	0.300	0.141
85311	11 mm	7.680	0.950	0.250	0.850	0.320	0.187
85312	12 mm	8.150	1.050	0.290	0.910	0.340	0.212
85313	13 mm	8.660	1.150	0.320	0.980	0.340	0.256
85314	14 mm	9.250	1.230	0.330	1.040	0.370	0.308
85315	15 mm	9.840	1.330	0.330	1.130	0.390	0.393
85316	16 mm	10.240	1.360	0.350	1.200	0.410	0.449
85317	17 mm	10.830	1.490	0.360	1.270	0.420	0.532
85318	18 mm	11.420	1.580	0.370	1.310	0.440	0.572
85319	19 mm	12.010	1.630	0.370	1.340	0.440	0.656

PATENTED

OPEN STOCK
WRENCHES

XL X-Beam™ *Designed to work with your Hands*



Open Stock - XL X-Beam™ Flex Combination Ratcheting Wrench SAE/METRIC

Item No.	Opening Inches/Metric	Overall Length (inch) A	Width Open End (inch) B	Thickness Open End (inch) C	Width Box End (inch) D	Thickness Box End (inch) E	Weight (lbs)
85270	5/16"	5.910	0.770	0.200	0.670	0.270	0.110
85271	11/32"	6.500	0.770	0.210	0.700	0.270	0.132
85272	3/8"	7.090	0.860	0.220	0.780	0.300	0.176
85274	7/16"	7.680	0.950	0.250	0.850	0.320	0.220
85276	1/2"	8.660	1.150	0.320	0.980	0.340	0.275
85278	9/16"	9.250	1.230	0.330	1.040	0.370	0.358
85280	5/8"	10.240	1.360	0.350	1.200	0.410	0.484
85282	11/16"	10.830	1.490	0.360	1.270	0.420	0.572
85284	3/4"	12.010	1.630	0.370	1.340	0.440	0.748
85258	8 mm	5.910	0.770	0.200	0.670	0.270	0.110
85259	9 mm	6.500	0.770	0.210	0.700	0.270	0.132
85260	10 mm	7.090	0.860	0.220	0.780	0.300	0.165
85261	11 mm	7.680	0.950	0.250	0.850	0.320	0.209
85262	12 mm	8.150	1.050	0.290	0.910	0.340	0.220
85263	13 mm	8.660	1.150	0.320	0.980	0.340	0.275
85264	14 mm	9.250	1.230	0.330	1.040	0.370	0.352
85265	15 mm	9.840	1.330	0.330	1.130	0.390	0.385
85266	16 mm	10.240	1.360	0.350	1.200	0.410	0.462
85267	17 mm	10.830	1.490	0.360	1.270	0.420	0.563
85268	18 mm	11.420	1.580	0.370	1.310	0.440	0.616
85269	19 mm	12.010	1.630	0.370	1.340	0.440	0.739

OPEN STOCK
WRENCHES

XL Combination *20 percent Longer and 25 percent Stronger*



85099 - 16 Pc. XL Combination Ratcheting Wrench Set METRIC

Item No.	Description	
85008	8 mm	XL Combination Ratcheting Wrench
85009	9 mm	XL Combination Ratcheting Wrench
85010	10 mm	XL Combination Ratcheting Wrench
85011	11 mm	XL Combination Ratcheting Wrench
85012	12 mm	XL Combination Ratcheting Wrench
85013	13 mm	XL Combination Ratcheting Wrench
85014	14 mm	XL Combination Ratcheting Wrench
85015	15 mm	XL Combination Ratcheting Wrench
85016	16 mm	XL Combination Ratcheting Wrench
85017	17 mm	XL Combination Ratcheting Wrench
85018	18 mm	XL Combination Ratcheting Wrench
85019	19 mm	XL Combination Ratcheting Wrench
85020	20 mm	XL Combination Ratcheting Wrench
85021	21 mm	XL Combination Ratcheting Wrench
85022	22 mm	XL Combination Ratcheting Wrench
85024	24 mm	XL Combination Ratcheting Wrench



85099R - 16 Pc. XL Combination Ratcheting Wrench Set METRIC - Wrench Roll

Item No.	Description	
85008	8 mm	XL Combination Ratcheting Wrench
85009	9 mm	XL Combination Ratcheting Wrench
85010	10 mm	XL Combination Ratcheting Wrench
85011	11 mm	XL Combination Ratcheting Wrench
85012	12 mm	XL Combination Ratcheting Wrench
85013	13 mm	XL Combination Ratcheting Wrench
85014	14 mm	XL Combination Ratcheting Wrench
85015	15 mm	XL Combination Ratcheting Wrench
85016	16 mm	XL Combination Ratcheting Wrench
85017	17 mm	XL Combination Ratcheting Wrench
85018	18 mm	XL Combination Ratcheting Wrench
85019	19 mm	XL Combination Ratcheting Wrench
85020	20 mm	XL Combination Ratcheting Wrench
85021	21 mm	XL Combination Ratcheting Wrench
85022	22 mm	XL Combination Ratcheting Wrench
85024	24 mm	XL Combination Ratcheting Wrench

SETS
WRENCHES

XL Combination *20 percent Longer and 25 percent Stronger*

85199 - 13 Pc. XL Combination Ratcheting Wrench Set SAE

Item No.	Description	
85108	1/4"	XL Combination Ratcheting Wrench
85110	5/16"	XL Combination Ratcheting Wrench
85112	3/8"	XL Combination Ratcheting Wrench
85114	7/16"	XL Combination Ratcheting Wrench
85116	1/2"	XL Combination Ratcheting Wrench
85118	9/16"	XL Combination Ratcheting Wrench
85120	5/8"	XL Combination Ratcheting Wrench
85122	11/16"	XL Combination Ratcheting Wrench
85124	3/4"	XL Combination Ratcheting Wrench
85126	13/16"	XL Combination Ratcheting Wrench
85128	7/8"	XL Combination Ratcheting Wrench
85130	15/16"	XL Combination Ratcheting Wrench
85132	1"	XL Combination Ratcheting Wrench



85199R - 13 Pc. XL Combination Ratcheting Wrench Set SAE - Wrench Roll

Item No.	Description	
85108	1/4"	XL Combination Ratcheting Wrench
85110	5/16"	XL Combination Ratcheting Wrench
85112	3/8"	XL Combination Ratcheting Wrench
85114	7/16"	XL Combination Ratcheting Wrench
85116	1/2"	XL Combination Ratcheting Wrench
85118	9/16"	XL Combination Ratcheting Wrench
85120	5/8"	XL Combination Ratcheting Wrench
85122	11/16"	XL Combination Ratcheting Wrench
85124	3/4"	XL Combination Ratcheting Wrench
85126	13/16"	XL Combination Ratcheting Wrench
85128	7/8"	XL Combination Ratcheting Wrench
85130	15/16"	XL Combination Ratcheting Wrench
85132	1"	XL Combination Ratcheting Wrench



SETS
WRENCHES

XL Combination *20 percent Longer and 25 percent Stronger*



85098 - 12 Pc. XL Combination Ratcheting Wrench Set METRIC

Item No.	Description	
85008	8 mm	XL Combination Ratcheting Wrench
85009	9 mm	XL Combination Ratcheting Wrench
85010	10 mm	XL Combination Ratcheting Wrench
85011	11 mm	XL Combination Ratcheting Wrench
85012	12 mm	XL Combination Ratcheting Wrench
85013	13 mm	XL Combination Ratcheting Wrench
85014	14 mm	XL Combination Ratcheting Wrench
85015	15 mm	XL Combination Ratcheting Wrench
85016	16 mm	XL Combination Ratcheting Wrench
85017	17 mm	XL Combination Ratcheting Wrench
85018	18 mm	XL Combination Ratcheting Wrench
85019	19 mm	XL Combination Ratcheting Wrench



85090R - 10 Pc. XL Combination Ratcheting Wrench Set METRIC - Wrench Roll

Item No.	Description	
85010	10 mm	XL Combination Ratcheting Wrench
85011	11 mm	XL Combination Ratcheting Wrench
85012	12 mm	XL Combination Ratcheting Wrench
85013	13 mm	XL Combination Ratcheting Wrench
85014	14 mm	XL Combination Ratcheting Wrench
85015	15 mm	XL Combination Ratcheting Wrench
85016	16 mm	XL Combination Ratcheting Wrench
85017	17 mm	XL Combination Ratcheting Wrench
85018	18 mm	XL Combination Ratcheting Wrench
85019	19 mm	XL Combination Ratcheting Wrench

SETS
WRENCHES

XL Combination *20 percent Longer and 25 percent Stronger*

85198 - 8 Pc. XL Combination Ratcheting Wrench Set SAE

Item No.	Description	
85110	5/16"	XL Combination Ratcheting Wrench
85112	3/8"	XL Combination Ratcheting Wrench
85114	7/16"	XL Combination Ratcheting Wrench
85116	1/2"	XL Combination Ratcheting Wrench
85118	9/16"	XL Combination Ratcheting Wrench
85120	5/8"	XL Combination Ratcheting Wrench
85122	11/16"	XL Combination Ratcheting Wrench
85124	3/4"	XL Combination Ratcheting Wrench



85197R - 7 Pc. XL Combination Ratcheting Wrench Set SAE - Wrench Roll

Item No.	Description	
81152	3/8"	XL Combination Ratcheting Wrench
85114	7/16"	XL Combination Ratcheting Wrench
85116	1/2"	XL Combination Ratcheting Wrench
85118	9/16"	XL Combination Ratcheting Wrench
85120	5/8"	XL Combination Ratcheting Wrench
85122	11/16"	XL Combination Ratcheting Wrench
85124	3/4"	XL Combination Ratcheting Wrench



SETS
WRENCHES

XL Combination *20 percent Longer and 25 percent Stronger*



Open Stock - XL Combination Ratcheting Wrench SAE/METRIC

Item No.	Opening Inches/Metric	Overall Length (inch) A	Width Open End (inch) B	Thickness Open End (inch) C	Width Box End (inch) D	Thickness Box End (inch) E	Weight (lbs)
85108	1/4"	5.310	0.570	0.180	0.610	0.260	0.062
85110	5/16"	5.910	0.770	0.200	0.670	0.270	0.088
85112	3/8"	7.090	0.860	0.220	0.780	0.300	0.136
85114	7/16"	7.680	0.950	0.250	0.850	0.320	0.169
85116	1/2"	8.660	1.150	0.320	0.980	0.340	0.251
85118	9/16"	9.250	1.230	0.330	1.040	0.370	0.314
85120	5/8"	10.240	1.360	0.350	1.200	0.410	0.434
85122	11/16"	10.830	1.490	0.360	1.270	0.420	0.488
85124	3/4"	12.010	1.630	0.370	1.340	0.440	0.658
85126	13/16"	12.510	1.770	0.400	1.540	0.510	0.848
85128	7/8"	13.000	1.870	0.420	1.540	0.510	0.952
85130	15/16"	14.000	2.010	0.440	1.750	0.570	1.247
85132	1"	14.500	2.090	0.460	1.750	0.570	1.317
85006	6 mm	5.310	0.570	0.180	0.610	0.260	0.086
85007	7 mm	5.610	0.640	0.190	0.620	0.260	0.087
85008	8 mm	5.910	0.770	0.200	0.670	0.270	0.088
85009	9 mm	6.500	0.770	0.210	0.700	0.270	0.096
85010	10 mm	7.090	0.860	0.220	0.780	0.300	0.136
85011	11 mm	7.680	0.950	0.250	0.850	0.320	0.167
85012	12 mm	8.150	1.050	0.290	0.910	0.340	0.207
85013	13 mm	8.660	1.150	0.320	0.980	0.340	0.234
85014	14 mm	9.250	1.230	0.330	1.040	0.370	0.309
85015	15 mm	9.840	1.330	0.330	1.130	0.390	0.354
85016	16 mm	10.240	1.360	0.350	1.200	0.410	0.430
85017	17 mm	10.830	1.490	0.360	1.270	0.420	0.490
85018	18 mm	11.420	1.580	0.370	1.310	0.440	0.575
85019	19 mm	12.010	1.630	0.370	1.340	0.440	0.669
85020	20 mm	12.510	1.770	0.400	1.540	0.510	0.759
85021	21 mm	12.510	1.770	0.400	1.540	0.510	0.838
85022	22 mm	13.000	1.870	0.420	1.540	0.510	0.954
85024	24 mm	14.000	2.010	0.440	1.750	0.570	1.235

PATENTED

"Original" Ratcheting Wrench

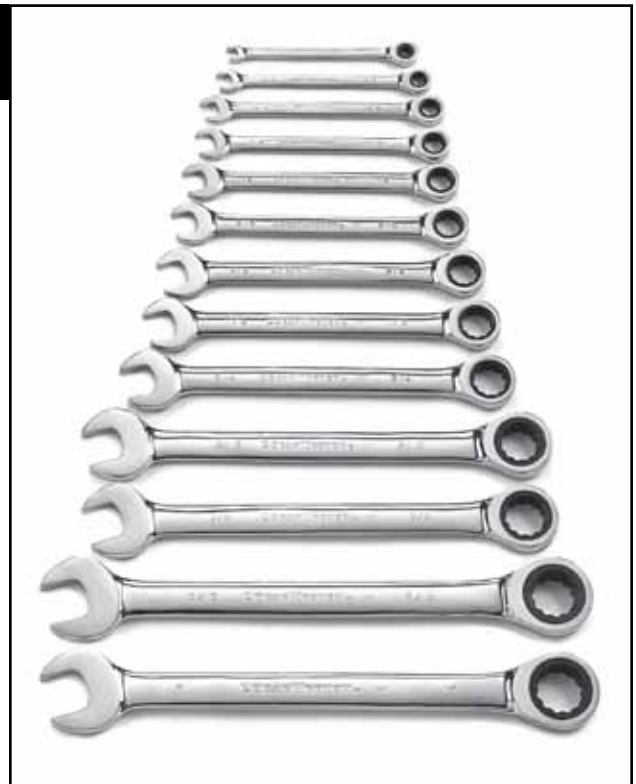
9416 - 16 Pc. Combination Ratcheting Wrench Set METRIC

Item No.	Description	
9108	8 mm	Combination Ratcheting Wrench
9109	9 mm	Combination Ratcheting Wrench
9110	10 mm	Combination Ratcheting Wrench
9111	11 mm	Combination Ratcheting Wrench
9112	12 mm	Combination Ratcheting Wrench
9113	13 mm	Combination Ratcheting Wrench
9114	14 mm	Combination Ratcheting Wrench
9115	15 mm	Combination Ratcheting Wrench
9116	16 mm	Combination Ratcheting Wrench
9117	17 mm	Combination Ratcheting Wrench
9118	18 mm	Combination Ratcheting Wrench
9119	19 mm	Combination Ratcheting Wrench
9120	20 mm	Combination Ratcheting Wrench
9121	21 mm	Combination Ratcheting Wrench
9122	22 mm	Combination Ratcheting Wrench
9124	24 mm	Combination Ratcheting Wrench



9312 - 13 Pc. Combination Ratcheting Wrench Set SAE

Item No.	Description	
9008	1/4"	Combination Ratcheting Wrench
9010	5/16"	Combination Ratcheting Wrench
9012	3/8"	Combination Ratcheting Wrench
9014	7/16"	Combination Ratcheting Wrench
9016	1/2"	Combination Ratcheting Wrench
9018	9/16"	Combination Ratcheting Wrench
9020	5/8"	Combination Ratcheting Wrench
9022	11/16"	Combination Ratcheting Wrench
9024	3/4"	Combination Ratcheting Wrench
9026	13/16"	Combination Ratcheting Wrench
9028	7/8"	Combination Ratcheting Wrench
9030	15/16"	Combination Ratcheting Wrench
9032	1"	Combination Ratcheting Wrench



SETS
WRENCHES

PATENTED

"Original" Ratcheting Wrench



9412 - 12 Pc. Combination Ratcheting Wrench Set METRIC

Item No.	Description	
9108	8 mm	Combination Ratcheting Wrench
9109	9 mm	Combination Ratcheting Wrench
9110	10 mm	Combination Ratcheting Wrench
9111	11 mm	Combination Ratcheting Wrench
9112	12 mm	Combination Ratcheting Wrench
9113	13 mm	Combination Ratcheting Wrench
9114	14 mm	Combination Ratcheting Wrench
9115	15 mm	Combination Ratcheting Wrench
9116	16 mm	Combination Ratcheting Wrench
9117	17 mm	Combination Ratcheting Wrench
9118	18 mm	Combination Ratcheting Wrench
9119	19 mm	Combination Ratcheting Wrench



9418 - 10 Pc. Combination Ratcheting Wrench Set SAE/METRIC

Item No.	Description	
9010	15/16"	Combination Ratcheting Wrench
9012	3/8"	Combination Ratcheting Wrench
9014	17/16"	Combination Ratcheting Wrench
9016	1/2"	Combination Ratcheting Wrench
9018	9/16"	Combination Ratcheting Wrench
9108	8 mm	Combination Ratcheting Wrench
9110	10 mm	Combination Ratcheting Wrench
9112	12 mm	Combination Ratcheting Wrench
9113	13 mm	Combination Ratcheting Wrench
9114	14 mm	Combination Ratcheting Wrench



9308 - 8 Pc. Combination Ratcheting Wrench Set SAE

Item No.	Description	
9010	15/16"	Combination Ratcheting Wrench
9012	3/8"	Combination Ratcheting Wrench
9014	17/16"	Combination Ratcheting Wrench
9016	1/2"	Combination Ratcheting Wrench
9018	9/16"	Combination Ratcheting Wrench
9020	5/8"	Combination Ratcheting Wrench
9022	11/16"	Combination Ratcheting Wrench
9024	3/4"	Combination Ratcheting Wrench

PATENTED

SETS

WRENCHES

"Original" Ratcheting Wrench

9317 - 7 Pc. Combination Ratcheting Wrench Set SAE

Item No.	Description	
9010	15/16"	Combination Ratcheting Wrench
9012	3/8"	Combination Ratcheting Wrench
9014	17/16"	Combination Ratcheting Wrench
9016	1/2"	Combination Ratcheting Wrench
9018	9/16"	Combination Ratcheting Wrench
9020	5/8"	Combination Ratcheting Wrench
9024	3/4"	Combination Ratcheting Wrench



9417 - 7 Pc. Combination Ratcheting Wrench Set METRIC

Item No.	Description	
9108	8 mm	Combination Ratcheting Wrench
9110	10 mm	Combination Ratcheting Wrench
9112	12 mm	Combination Ratcheting Wrench
9113	13 mm	Combination Ratcheting Wrench
9114	14 mm	Combination Ratcheting Wrench
9115	15 mm	Combination Ratcheting Wrench
9118	18 mm	Combination Ratcheting Wrench



93005 - 5 Pc. Combination Ratcheting Wrench Set SAE

Item No.	Description	
9012	3/8"	Combination Ratcheting Wrench
9014	17/16"	Combination Ratcheting Wrench
9016	1/2"	Combination Ratcheting Wrench
9018	9/16"	Combination Ratcheting Wrench
9020	5/8"	Combination Ratcheting Wrench



9413 - 4 Pc. Combination Ratcheting Wrench Set SAE

Item No.	Description	
9121	21 mm	Combination Ratcheting Wrench
9122	22 mm	Combination Ratcheting Wrench
9124	24 mm	Combination Ratcheting Wrench
9125	25 mm	Combination Ratcheting Wrench



SETS
WRENCHES

PATENTED

"Original" Ratcheting Wrench



93004 - 5 Pc. Combination Ratcheting Wrench Set METRIC

Item No.	Description	
9110	10 mm	Combination Ratcheting Wrench
9112	12 mm	Combination Ratcheting Wrench
9113	13 mm	Combination Ratcheting Wrench
9114	14 mm	Combination Ratcheting Wrench
9115	15 mm	Combination Ratcheting Wrench



9304 - 4 Pc. Combination Ratcheting Wrench Set SAE

Item No.	Description	
9012	3/8"	Combination Ratcheting Wrench
9014	17/16"	Combination Ratcheting Wrench
9016	1/2"	Combination Ratcheting Wrench
9018	9/16"	Combination Ratcheting Wrench



9404 - 4 Pc. Combination Ratcheting Wrench Set METRIC

Item No.	Description	
9110	10 mm	Combination Ratcheting Wrench
9112	12 mm	Combination Ratcheting Wrench
9113	13 mm	Combination Ratcheting Wrench
9114	14 mm	Combination Ratcheting Wrench



9309 - 4 Pc. Combination Ratcheting Wrench Set SAE

Item No.	Description	
9026	13/16"	Combination Ratcheting Wrench
9028	7/8"	Combination Ratcheting Wrench
9030	15/16"	Combination Ratcheting Wrench
9032	1"	Combination Ratcheting Wrench

SETS
WRENCHES

"Original" Ratcheting Wrench



Open Stock - Combination Ratcheting Wrench SAE

Item No.	Opening Inches/Metric	Overall Length (inch) A	Width Open End (inch) B	Thickness Open End (inch) C	Width Box End (inch) D	Thickness Box End (inch) E	Weight (lbs)
9008	1/4"	4.921	0.567	0.181	0.610	0.256	0.061
9010	5/16"	5.508	0.768	0.197	0.665	0.272	0.073
9011	11/32"	5.882	0.768	0.213	0.701	0.272	0.083
9012	3/8"	6.256	0.862	0.224	0.780	0.303	0.119
9014	7/16"	6.508	0.953	0.252	0.854	0.323	0.145
9016	1/2"	7.008	1.146	0.319	0.984	0.339	0.206
9018	9/16"	7.504	1.228	0.327	1.035	0.370	0.225
9020	5/8"	8.201	1.358	0.346	1.201	0.406	0.313
9022	11/16"	8.878	1.492	0.362	1.272	0.421	0.374
9024	3/4"	9.764	1.626	0.374	1.339	0.441	0.488
9026	13/16"	11.476	1.811	0.390	1.535	0.512	0.739
9028	7/8"	11.476	1.811	0.390	1.535	0.512	0.768
9030	15/16"	13.114	2.055	0.429	1.791	0.571	1.081
9032	1"	13.114	2.055	0.429	1.791	0.571	1.065
9034	1-1/16"	14.142	2.220	0.571	1.929	0.610	1.329
9036	1-1/8"	15.846	2.469	0.492	2.154	0.669	1.972
9038	1-1/4"	16.764	2.634	0.508	2.283	0.689	2.183
9060	1-5/16"	18.110	2.744	0.539	2.362	0.689	2.640
9062	1-3/8"	18.110	2.744	0.539	2.362	0.689	2.640
9040	1-7/16"	19.685	3.114	0.646	2.520	0.807	3.861
9042	1-1/2"	19.685	3.114	0.646	2.520	0.807	3.828
9044	1-9/16"	22.638	3.409	0.709	2.677	0.866	5.183
9046	1-5/8"	22.638	3.409	0.709	2.677	0.866	5.141
9048	1-11/16"	24.213	3.626	0.791	2.835	0.925	5.691
9050	1-3/4"	24.213	3.626	0.791	2.835	0.925	5.641
9052	1-13/16"	25.394	3.850	0.835	2.992	0.984	7.647
9054	1-7/8"	25.394	3.850	0.835	2.992	0.984	7.594
9056	2"	25.787	4.134	0.835	3.150	1.043	8.336

OPEN STOCK
WRENCHES

"Original" Ratcheting Wrench



Open Stock - Combination Ratcheting Wrench METRIC

Item No.	Opening Inches/Metric	Overall Length (inch) A	Width Open End (inch) B	Thickness Open End (inch) C	Width Box End (inch) D	Thickness Box End (inch) E	Weight (lbs)
9106	6 mm	4.921	0.567	0.181	0.610	0.256	0.616
9107	7 mm	5.236	0.642	0.189	0.622	0.256	0.076
9108	8 mm	5.508	0.768	0.197	0.665	0.272	0.073
9109	9 mm	5.882	0.768	0.213	0.701	0.272	0.089
9110	10 mm	6.256	0.862	0.224	0.780	0.303	0.117
9111	11 mm	6.508	0.953	0.252	0.854	0.323	0.135
9112	12 mm	6.756	1.047	0.291	0.906	0.339	1.707
9113	13 mm	7.008	1.146	0.319	0.984	0.339	0.193
9114	14 mm	7.504	1.228	0.327	1.035	0.370	0.236
9115	15 mm	7.854	1.327	0.327	1.130	0.390	0.255
9116	16 mm	8.201	1.358	0.346	1.201	0.406	0.306
9117	17 mm	8.878	1.492	0.362	1.272	0.421	0.376
9118	18 mm	9.311	1.583	0.370	1.307	0.441	0.45
9119	19 mm	9.764	1.626	0.374	1.339	0.441	0.499
9120	20 mm	11.476	1.811	0.390	1.535	0.512	0.78
9121	21 mm	11.476	1.811	0.390	1.535	0.512	0.721
9122	22 mm	11.476	1.811	0.390	1.535	0.512	0.734
9124	24 mm	13.114	2.055	0.429	1.791	0.571	1.074
9125	25 mm	13.114	2.055	0.429	1.791	0.571	1.08
9127	27 mm	14.142	2.220	0.571	1.929	0.610	1.333
9130	30 mm	15.846	2.469	0.492	2.154	0.669	1.849
9132	32 mm	16.764	2.634	0.508	2.283	0.689	2.102
9134	34 mm	18.110	2.744	0.539	2.362	0.689	2.665
9136	36 mm	19.685	3.114	0.646	2.520	0.807	3.874
9141	41 mm	22.638	3.409	0.709	2.677	0.866	5.150
9146	46 mm	25.394	3.850	0.835	2.992	0.984	7.643
9150	50 mm	25.787	4.134	0.835	3.150	1.043	8.369

PATENTED

OPEN STOCK

WRENCHES

Stubby Ratcheting Wrench

9520 - 10 Pc. Stubby Combination Ratcheting Wrench Set METRIC

Item No.	Description	
9510	10 mm	Stubby Combination Ratcheting Wrench
9511	11 mm	Stubby Combination Ratcheting Wrench
9512	12 mm	Stubby Combination Ratcheting Wrench
9513	13 mm	Stubby Combination Ratcheting Wrench
9514	14 mm	Stubby Combination Ratcheting Wrench
9515	15 mm	Stubby Combination Ratcheting Wrench
9516	16 mm	Stubby Combination Ratcheting Wrench
9517	17 mm	Stubby Combination Ratcheting Wrench
9518	18 mm	Stubby Combination Ratcheting Wrench
9519	19 mm	Stubby Combination Ratcheting Wrench



9507 - 7 Pc. Stubby Combination Ratcheting Wrench Set SAE

Item No.	Description	
9500	3/8"	Stubby Combination Ratcheting Wrench
9501	7/16"	Stubby Combination Ratcheting Wrench
9502	1/2"	Stubby Combination Ratcheting Wrench
9503	9/16"	Stubby Combination Ratcheting Wrench
9504	5/8"	Stubby Combination Ratcheting Wrench
9505	11/16"	Stubby Combination Ratcheting Wrench
9506	3/4"	Stubby Combination Ratcheting Wrench



SETS
WRENCHES

Stubby Ratcheting Wrench



Open Stock - Stubby Combination Ratcheting Wrench SAE/METRIC

Item No.	Opening Inches/Metric	Overall Length (inch) A	Width Open End (inch) B	Thickness Open End (inch) C	Width Box End (inch) D	Thickness Box End (inch) E	Weight (lbs)
9500	3/8"	3.701	0.862	0.224	0.780	0.303	0.079
9501	7/16"	4.016	0.953	0.252	0.854	0.323	0.914
9502	1/2"	4.213	1.146	0.319	0.984	0.339	1.347
9503	9/16"	4.488	1.228	0.327	1.035	0.370	1.598
9504	5/8"	4.803	1.358	0.346	1.201	0.406	0.214
9505	11/16"	4.961	1.492	0.362	1.272	0.421	0.233
9506	3/4"	5.433	1.626	0.374	1.339	0.441	0.31
9510	10 mm	3.701	0.862	0.224	0.780	0.303	0.073
9511	11 mm	4.016	0.953	0.252	0.854	0.323	0.099
9512	12 mm	4.134	1.047	0.291	0.906	0.339	0.115
9513	13 mm	4.213	1.146	0.319	0.984	0.339	0.128
9514	14 mm	4.488	1.228	0.327	1.035	0.370	0.158
9515	15 mm	4.646	1.327	0.327	1.130	0.390	0.192
9516	16 mm	4.803	1.358	0.346	1.201	0.406	0.207
9517	17 mm	4.961	1.492	0.362	1.272	0.421	0.244
9518	18 mm	5.118	1.583	0.370	1.307	0.441	0.282
9519	19 mm	5.433	1.626	0.374	1.339	0.441	0.316

OPEN STOCK
WRENCHES

Reversible Ratcheting Wrench

9602 - 16 Pc. Reversible Combination Ratcheting Wrench Set METRIC

Item No.	Description	
9608	8 mm	Reversible Combination Ratcheting Wrench
9609	9 mm	Reversible Combination Ratcheting Wrench
9610	10 mm	Reversible Combination Ratcheting Wrench
9611	11 mm	Reversible Combination Ratcheting Wrench
9612	12 mm	Reversible Combination Ratcheting Wrench
9613	13 mm	Reversible Combination Ratcheting Wrench
9614	14 mm	Reversible Combination Ratcheting Wrench
9615	15 mm	Reversible Combination Ratcheting Wrench
9616	16 mm	Reversible Combination Ratcheting Wrench
9617	17 mm	Reversible Combination Ratcheting Wrench
9618	18 mm	Reversible Combination Ratcheting Wrench
9619	19 mm	Reversible Combination Ratcheting Wrench
9621	21 mm	Reversible Combination Ratcheting Wrench
9622	22 mm	Reversible Combination Ratcheting Wrench
9624	24 mm	Reversible Combination Ratcheting Wrench
9625	25 mm	Reversible Combination Ratcheting Wrench



9602R - 16 Pc. Reversible Combination Ratcheting Wrench Set Roll METRIC

Item No.	Description	
9608	8 mm	Reversible Combination Ratcheting Wrench
9609	9 mm	Reversible Combination Ratcheting Wrench
9610	10 mm	Reversible Combination Ratcheting Wrench
9611	11 mm	Reversible Combination Ratcheting Wrench
9612	12 mm	Reversible Combination Ratcheting Wrench
9613	13 mm	Reversible Combination Ratcheting Wrench
9614	14 mm	Reversible Combination Ratcheting Wrench
9615	15 mm	Reversible Combination Ratcheting Wrench
9616	16 mm	Reversible Combination Ratcheting Wrench
9617	17 mm	Reversible Combination Ratcheting Wrench
9618	18 mm	Reversible Combination Ratcheting Wrench
9619	19 mm	Reversible Combination Ratcheting Wrench
9621	21 mm	Reversible Combination Ratcheting Wrench
9622	22 mm	Reversible Combination Ratcheting Wrench
9624	24 mm	Reversible Combination Ratcheting Wrench
9625	25 mm	Reversible Combination Ratcheting Wrench



SETS
WRENCHES

Reversible Ratcheting Wrench



9509 - 13 Pc. Reversible Combination Ratcheting Wrench Set SAE

Item No.	Description
9525	5/16" Reversible Combination Ratcheting Wrench
9521	11/32" Reversible Combination Ratcheting Wrench
9526	3/8" Reversible Combination Ratcheting Wrench
9527	7/16" Reversible Combination Ratcheting Wrench
9528	1/2" Reversible Combination Ratcheting Wrench
9529	9/16" Reversible Combination Ratcheting Wrench
9530	5/8" Reversible Combination Ratcheting Wrench
9531	11/16" Reversible Combination Ratcheting Wrench
9532	3/4" Reversible Combination Ratcheting Wrench
9534	13/16" Reversible Combination Ratcheting Wrench
9538	7/8" Reversible Combination Ratcheting Wrench
9539	15/16" Reversible Combination Ratcheting Wrench
9540	1" Reversible Combination Ratcheting Wrench



9509R - 13 Pc. Reversible Combination Ratcheting Wrench Set Roll SAE

Item No.	Description
9525	5/16" Reversible Combination Ratcheting Wrench
9521	11/32" Reversible Combination Ratcheting Wrench
9526	3/8" Reversible Combination Ratcheting Wrench
9527	7/16" Reversible Combination Ratcheting Wrench
9528	1/2" Reversible Combination Ratcheting Wrench
9529	9/16" Reversible Combination Ratcheting Wrench
9530	5/8" Reversible Combination Ratcheting Wrench
9531	11/16" Reversible Combination Ratcheting Wrench
9532	3/4" Reversible Combination Ratcheting Wrench
9534	13/16" Reversible Combination Ratcheting Wrench
9538	7/8" Reversible Combination Ratcheting Wrench
9539	15/16" Reversible Combination Ratcheting Wrench
9540	1" Reversible Combination Ratcheting Wrench

SETS
WRENCHES

Reversible Ratcheting Wrench

9620 - 12 Pc. Reversible Combination Ratcheting Wrench Set METRIC

Item No.	Description	
9608	8 mm	Reversible Combination Ratcheting Wrench
9609	9 mm	Reversible Combination Ratcheting Wrench
9610	10 mm	Reversible Combination Ratcheting Wrench
9611	11 mm	Reversible Combination Ratcheting Wrench
9612	12 mm	Reversible Combination Ratcheting Wrench
9613	13 mm	Reversible Combination Ratcheting Wrench
9614	14 mm	Reversible Combination Ratcheting Wrench
9615	15 mm	Reversible Combination Ratcheting Wrench
9616	16 mm	Reversible Combination Ratcheting Wrench
9617	17 mm	Reversible Combination Ratcheting Wrench
9618	18 mm	Reversible Combination Ratcheting Wrench
9619	19 mm	Reversible Combination Ratcheting Wrench



9601R - 10 Pc. Reversible Combination Ratcheting Wrench Set Roll METRIC

Item No.	Description	
9610	10 mm	Reversible Combination Ratcheting Wrench
9611	11 mm	Reversible Combination Ratcheting Wrench
9612	12 mm	Reversible Combination Ratcheting Wrench
9613	13 mm	Reversible Combination Ratcheting Wrench
9614	14 mm	Reversible Combination Ratcheting Wrench
9615	15 mm	Reversible Combination Ratcheting Wrench
9616	16 mm	Reversible Combination Ratcheting Wrench
9617	17 mm	Reversible Combination Ratcheting Wrench
9618	18 mm	Reversible Combination Ratcheting Wrench
9619	19 mm	Reversible Combination Ratcheting Wrench



9533 - 8 Pc. Reversible Combination Ratcheting Wrench Set SAE

Item No.	Description	
9525	5/16"	Reversible Combination Ratcheting Wrench
9526	3/8"	Reversible Combination Ratcheting Wrench
9527	7/16"	Reversible Combination Ratcheting Wrench
9528	1/2"	Reversible Combination Ratcheting Wrench
9529	9/16"	Reversible Combination Ratcheting Wrench
9530	5/8"	Reversible Combination Ratcheting Wrench
9531	11/16"	Reversible Combination Ratcheting Wrench
9532	3/4"	Reversible Combination Ratcheting Wrench



PATENTED

SETS

WRENCHES

Reversible Ratcheting Wrench



9567R - 7 Pc. Reversible Combination Ratcheting Wrench Set Roll SAE

Item No.	Description	
9526	3/8"	Reversible Combination Ratcheting Wrench
9527	7/16"	Reversible Combination Ratcheting Wrench
9528	1/2"	Reversible Combination Ratcheting Wrench
9529	9/16"	Reversible Combination Ratcheting Wrench
9530	5/8"	Reversible Combination Ratcheting Wrench
9531	11/16"	Reversible Combination Ratcheting Wrench
9532	3/4"	Reversible Combination Ratcheting Wrench



9543 - 8 Pc. Reversible Combination Ratcheting Wrench Set METRIC

Item No.	Description	
9608	8 mm	Reversible Combination Ratcheting Wrench
9610	10 mm	Reversible Combination Ratcheting Wrench
9612	12 mm	Reversible Combination Ratcheting Wrench
9613	13 mm	Reversible Combination Ratcheting Wrench
9614	14 mm	Reversible Combination Ratcheting Wrench
9615	15 mm	Reversible Combination Ratcheting Wrench
9617	17 mm	Reversible Combination Ratcheting Wrench
9619	19 mm	Reversible Combination Ratcheting Wrench



9545 - 4 Pc. Reversible Combination Ratcheting Wrench Completer Set SAE

Item No.	Description	
9534	13/16"	Reversible Combination Ratcheting Wrench
9538	7/8"	Reversible Combination Ratcheting Wrench
9539	15/16"	Reversible Combination Ratcheting Wrench
9540	1"	Reversible Combination Ratcheting Wrench



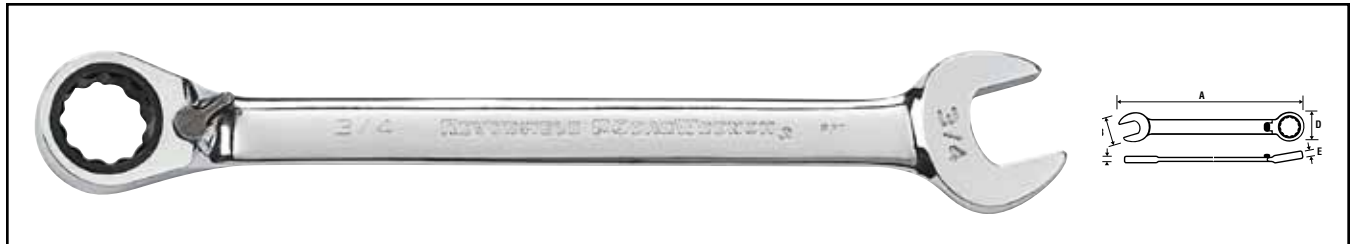
9601 - 4 Pc. Reversible Combination Ratcheting Wrench Completer Set METRIC

Item No.	Description	
9621	21 mm	Reversible Combination Ratcheting Wrench
9622	22 mm	Reversible Combination Ratcheting Wrench
9624	24 mm	Reversible Combination Ratcheting Wrench
9625	25 mm	Reversible Combination Ratcheting Wrench

PATENTED

SETS
WRENCHES

Reversible Ratcheting Wrench



Open Stock - Combination Ratcheting Wrench SAE/METRIC

Item No.	Opening Inches/Metric	Overall Length (inch) A	Width Open End (inch) B	Thickness Open End (inch) C	Width Box End (inch) D	Thickness Box End (inch) E	Weight (lbs)
9525	5/16"	5.433	0.768	0.197	0.665	0.272	0.08
9521	11/32"	5.795	0.768	0.213	0.701	0.272	0.901
9526	3/8"	6.169	0.862	0.224	0.780	0.303	0.137
9527	7/16"	6.413	0.953	0.252	0.854	0.323	0.156
9528	1/2"	6.902	1.146	0.319	0.984	0.339	0.207
9529	9/16"	7.398	1.228	0.327	1.035	0.370	0.242
9530	5/8"	8.087	1.358	0.346	1.201	0.406	0.344
9531	11/16"	8.740	1.492	0.362	1.272	0.421	0.399
9532	3/4"	9.594	1.626	0.374	1.339	0.441	0.536
9534	13/16"	11.476	1.811	0.390	1.535	0.512	0.785
9538	7/8"	11.476	1.811	0.390	1.535	0.512	0.76
9539	15/16"	14.000	2.055	0.429	1.791	0.571	1.174
9540	1"	14.000	2.055	0.429	1.791	0.571	1.317
9608	8 mm	5.433	0.768	0.197	0.665	0.272	0.073
9609	9 mm	5.795	0.768	0.213	0.701	0.272	0.09
9610	10 mm	6.169	0.862	0.224	0.780	0.303	0.115
9611	11 mm	6.413	0.953	0.252	0.854	0.323	0.16
9612	12 mm	6.657	1.047	0.291	0.906	0.339	0.166
9613	13 mm	6.902	1.146	0.319	0.984	0.339	0.193
9614	14 mm	7.398	1.228	0.327	1.035	0.370	0.244
9615	15 mm	7.748	1.327	0.327	1.130	0.390	0.281
9616	16 mm	8.087	1.358	0.346	1.201	0.406	0.35
9617	17 mm	8.740	1.492	0.362	1.272	0.421	0.401
9618	18 mm	9.169	1.583	0.370	1.307	0.441	0.461
9619	19 mm	9.594	1.626	0.374	1.339	0.441	0.536
9621	21 mm	11.476	1.811	0.390	1.535	0.512	0.785
9622	22 mm	11.476	1.811	0.390	1.535	0.512	0.76
9624	24 mm	14.000	2.055	0.429	1.791	0.571	1.174
9625	25 mm	14.000	2.055	0.429	1.791	0.571	1.15

OPEN STOCK
WRENCHES

XL Locking Flex Ratcheting Wrench



85698 - 12 Pc. XL Locking Flex Combination Ratcheting Wrench Set METRIC

Item No.	Description
85608	8 mm XL Locking Flex Combination Ratcheting Wrench
85609	9 mm XL Locking Flex Combination Ratcheting Wrench
85610	10 mm XL Locking Flex Combination Ratcheting Wrench
85611	11 mm XL Locking Flex Combination Ratcheting Wrench
85612	12 mm XL Locking Flex Combination Ratcheting Wrench
85613	13 mm XL Locking Flex Combination Ratcheting Wrench
85614	14 mm XL Locking Flex Combination Ratcheting Wrench
85615	15 mm XL Locking Flex Combination Ratcheting Wrench
85616	16 mm XL Locking Flex Combination Ratcheting Wrench
85617	17 mm XL Locking Flex Combination Ratcheting Wrench
85618	18 mm XL Locking Flex Combination Ratcheting Wrench
85619	19 mm XL Locking Flex Combination Ratcheting Wrench



85698R - 12 Pc. XL Locking Flex Combination Ratcheting Wrench Set Roll METRIC



85798 - 8 Pc. XL Locking Flex Combination Ratcheting Wrench Set SAE

Item No.	Description
85710	5/16" XL Locking Flex Combination Ratcheting Wrench
85712	3/8" XL Locking Flex Combination Ratcheting Wrench
85714	7/16" XL Locking Flex Combination Ratcheting Wrench
85716	1/2" XL Locking Flex Combination Ratcheting Wrench
85718	9/16" XL Locking Flex Combination Ratcheting Wrench
85720	5/8" XL Locking Flex Combination Ratcheting Wrench
85722	11/16" XL Locking Flex Combination Ratcheting Wrench
85724	3/4" XL Locking Flex Combination Ratcheting Wrench



85798 - 8 Pc. XL Locking Flex Combination Ratcheting Wrench Set Roll SAE

SETS

WRENCHES

PATENTED

XL Locking Flex Ratcheting Wrench



Open Stock - XL Locking Flex Combination Ratcheting Wrench SAE/METRIC

Item No.	Opening Inches/Metric	Overall Length (inch) A	Width Open End (inch) B	Thickness Open End (inch) C	Width Box End (inch) D	Thickness Box End (inch) E	Weight (lbs)
85710	5/16"	5.750	0.770	0.980	0.670	0.270	0.090
85712	3/8"	6.730	0.860	1.040	0.780	0.300	0.150
85714	7/16"	7.200	0.950	0.250	0.850	0.320	0.180
85716	1/2"	8.150	1.150	0.320	0.980	0.340	0.260
85718	9/16"	8.620	1.230	0.670	1.040	0.370	0.320
85720	5/8"	9.530	1.360	0.700	1.200	0.410	0.440
85722	11/16"	10.00	1.490	0.780	1.270	0.420	0.500
85724	3/4"	11.020	1.630	0.850	1.340	0.440	0.660
85608	8 mm	5.750	0.770	0.200	0.670	0.270	0.090
85609	9 mm	6.260	0.770	0.210	0.700	0.270	0.110
85610	10 mm	6.730	0.860	0.220	0.780	0.300	0.150
85611	11 mm	7.200	0.950	0.250	0.850	0.320	0.180
85612	12 mm	7.680	1.050	0.290	0.910	0.340	0.220
85613	13 mm	8.150	1.150	0.320	0.980	0.340	0.260
85614	14 mm	8.620	1.230	0.330	1.040	0.370	0.320
85615	15 mm	9.090	1.330	0.330	1.130	0.390	0.360
85616	16 mm	9.530	1.360	0.350	1.200	0.410	0.440
85617	17 mm	10.00	1.490	0.360	1.270	0.420	0.500
85618	18 mm	10.510	1.580	0.370	1.310	0.440	0.560
85619	19 mm	11.020	1.630	0.370	1.340	0.440	0.660

OPEN STOCK
WRENCHES

XL Locking Flex Ratcheting Wrench



9902 - 16 Pc. Flex Combination Ratcheting Wrench Set METRIC

Item No.	Description	
9908	8 mm	Flex Combination Ratcheting Wrench
9909	9 mm	Flex Combination Ratcheting Wrench
9910	10 mm	Flex Combination Ratcheting Wrench
9911	11 mm	Flex Combination Ratcheting Wrench
9912	12 mm	Flex Combination Ratcheting Wrench
9913	13 mm	Flex Combination Ratcheting Wrench
9914	14 mm	Flex Combination Ratcheting Wrench
9915	15 mm	Flex Combination Ratcheting Wrench
9916	16 mm	Flex Combination Ratcheting Wrench
9917	17 mm	Flex Combination Ratcheting Wrench
9918	18 mm	Flex Combination Ratcheting Wrench
9919	19 mm	Flex Combination Ratcheting Wrench
9921	21 mm	Flex Combination Ratcheting Wrench
9922	22 mm	Flex Combination Ratcheting Wrench
9924	24 mm	Flex Combination Ratcheting Wrench
9925	25 mm	Flex Combination Ratcheting Wrench



9702 - 13 Pc. Flex Combination Ratcheting Wrench Set SAE

Item No.	Description	
9705	5/16"	Flex Combination Ratcheting Wrench
9704	11/32"	Flex Combination Ratcheting Wrench
9706	3/8"	Flex Combination Ratcheting Wrench
9707	7/16"	Flex Combination Ratcheting Wrench
9708	1/2"	Flex Combination Ratcheting Wrench
9709	9/16"	Flex Combination Ratcheting Wrench
9710	5/8"	Flex Combination Ratcheting Wrench
9711	11/16"	Flex Combination Ratcheting Wrench
9712	3/4"	Flex Combination Ratcheting Wrench
9713	13/16"	Flex Combination Ratcheting Wrench
9714	7/8"	Flex Combination Ratcheting Wrench
9715	15/16"	Flex Combination Ratcheting Wrench
9716	1"	Flex Combination Ratcheting Wrench

SETS
WRENCHES

Flex Ratcheting Wrench

9901 - 12 Pc. Flex Combination Ratcheting Wrench Set METRIC

Item No.	Description	
9908	8 mm	Flex Combination Ratcheting Wrench
9909	9 mm	Flex Combination Ratcheting Wrench
9910	10 mm	Flex Combination Ratcheting Wrench
9911	11 mm	Flex Combination Ratcheting Wrench
9912	12 mm	Flex Combination Ratcheting Wrench
9913	13 mm	Flex Combination Ratcheting Wrench
9914	14 mm	Flex Combination Ratcheting Wrench
9915	15 mm	Flex Combination Ratcheting Wrench
9916	16 mm	Flex Combination Ratcheting Wrench
9917	17 mm	Flex Combination Ratcheting Wrench
9918	18 mm	Flex Combination Ratcheting Wrench
9919	19 mm	Flex Combination Ratcheting Wrench



9701 - 8 Pc. Flex Combination Ratcheting Wrench Set SAE

Item No.	Description	
9705	5/16"	Flex Combination Ratcheting Wrench
9706	3/8"	Flex Combination Ratcheting Wrench
9707	7/16"	Flex Combination Ratcheting Wrench
9708	1/2"	Flex Combination Ratcheting Wrench
9709	9/16"	Flex Combination Ratcheting Wrench
9710	5/8"	Flex Combination Ratcheting Wrench
9711	11/16"	Flex Combination Ratcheting Wrench
9712	3/4"	Flex Combination Ratcheting Wrench



9700 - 7 Pc. Flex Combination Ratcheting Wrench Set SAE

Item No.	Description	
9706	3/8"	Flex Combination Ratcheting Wrench
9707	7/16"	Flex Combination Ratcheting Wrench
9708	1/2"	Flex Combination Ratcheting Wrench
9709	9/16"	Flex Combination Ratcheting Wrench
9710	5/8"	Flex Combination Ratcheting Wrench
9711	11/16"	Flex Combination Ratcheting Wrench
9712	3/4"	Flex Combination Ratcheting Wrench



SETS
WRENCHES

Flex Ratcheting Wrench



9900 - 7 Pc. Flex Combination Ratcheting Wrench Set METRIC

Item No.	Description	
9910	10 mm	Flex Combination Ratcheting Wrench
9912	12 mm	Flex Combination Ratcheting Wrench
9913	13 mm	Flex Combination Ratcheting Wrench
9914	14 mm	Flex Combination Ratcheting Wrench
9915	15 mm	Flex Combination Ratcheting Wrench
9917	17 mm	Flex Combination Ratcheting Wrench
9919	19 mm	Flex Combination Ratcheting Wrench



9703 - 4 Pc. Flex Combination Ratcheting Wrench Completer Set SAE

Item No.	Description	
9713	13/16"	Flex Combination Ratcheting Wrench
9714	7/8"	Flex Combination Ratcheting Wrench
9715	15/16"	Flex Combination Ratcheting Wrench
9716	1"	Flex Combination Ratcheting Wrench



9903 - 4 Pc. Flex Combination Ratcheting Wrench Completer Set METRIC

Item No.	Description	
9921	21 mm	Flex Combination Ratcheting Wrench
9922	22 mm	Flex Combination Ratcheting Wrench
9924	24 mm	Flex Combination Ratcheting Wrench
9925	25 mm	Flex Combination Ratcheting Wrench

PATENTED

SETS
WRENCHES

Flex Ratcheting Wrench



Open Stock - Flex Combination Ratcheting Wrench SAE/METRIC

Item No.	Opening Inches/Metric	Overall Length (inch) A	Width Open End (inch) B	Thickness Open End (inch) C	Width Box End (inch) D	Thickness Box End (inch) E	Weight (lbs)
9704	11/32"	5.882	0.768	0.213	0.701	0.272	0.11
9705	5/16"	5.508	0.768	0.197	0.665	0.272	0.087
9706	3/8"	6.252	0.862	0.224	0.780	0.303	0.138
9707	7/16"	6.504	0.953	0.252	0.854	0.323	0.168
9708	1/2"	7.004	1.146	0.319	0.984	0.339	0.238
9709	9/16"	7.504	1.228	0.327	1.035	0.370	0.282
9710	5/8"	8.197	1.358	0.346	1.201	0.406	0.383
9711	11/16"	8.878	1.492	0.362	1.272	0.421	0.448
9712	3/4"	9.764	1.626	0.374	1.339	0.441	0.588
9713	13/16"	11.476	1.811	0.390	1.535	0.512	0.9
9714	7/8"	11.476	1.811	0.390	1.535	0.512	0.864
9715	15/16"	13.114	2.055	0.429	1.791	0.571	1.316
9716	1"	13.114	2.055	0.429	1.791	0.571	1.292
9908	8 mm	5.508	0.768	0.197	0.665	0.272	0.086
9909	9 mm	5.882	0.768	0.213	0.701	0.272	0.103
9910	10 mm	6.252	0.862	0.224	0.780	0.303	0.138
9911	11 mm	6.504	0.953	0.252	0.854	0.323	0.162
9912	12 mm	6.756	1.047	0.291	0.906	0.339	0.197
9913	13 mm	7.004	1.146	0.319	0.984	0.339	0.238
9914	14 mm	7.504	1.228	0.327	1.035	0.370	0.279
9915	15 mm	7.854	1.327	0.327	1.130	0.390	0.334
9916	16 mm	8.197	1.358	0.346	1.201	0.406	0.383
9917	17 mm	8.878	1.492	0.362	1.272	0.421	0.451
9918	18 mm	9.315	1.583	0.370	1.307	0.441	0.517
9919	19 mm	9.764	1.626	0.374	1.339	0.441	0.59
9921	21 mm	11.476	1.811	0.390	1.535	0.512	0.886
9922	22 mm	11.476	1.811	0.390	1.535	0.512	0.868
9924	24 mm	13.114	2.055	0.429	1.791	0.571	1.31
9925	25 mm	14.000	2.055	0.429	1.791	0.571	1.15

OPEN STOCK

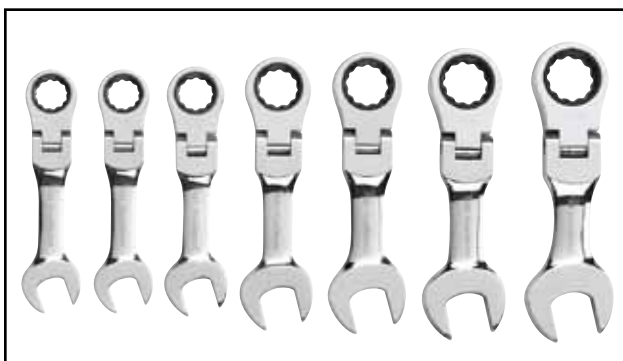
WRENCHES

Stubby Flex *Ratcheting Wrench*



9550 - 10 Pc. Stubby Flex Combination Ratcheting Wrench Set METRIC

Item No.	Description	
9551	10 mm	Stubby Flex Combination Ratcheting Wrench
9552	11 mm	Stubby Flex Combination Ratcheting Wrench
9553	12 mm	Stubby Flex Combination Ratcheting Wrench
9554	13 mm	Stubby Flex Combination Ratcheting Wrench
9555	14 mm	Stubby Flex Combination Ratcheting Wrench
9556	15 mm	Stubby Flex Combination Ratcheting Wrench
9557	16 mm	Stubby Flex Combination Ratcheting Wrench
9558	17 mm	Stubby Flex Combination Ratcheting Wrench
9559	18 mm	Stubby Flex Combination Ratcheting Wrench
9560	19 mm	Stubby Flex Combination Ratcheting Wrench

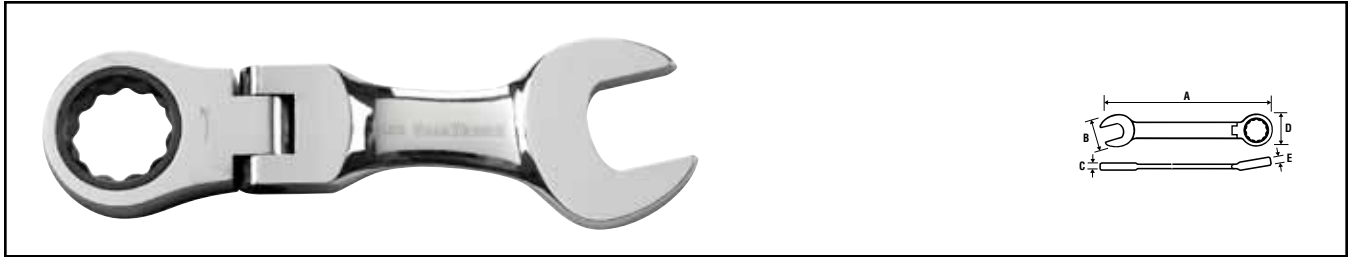


9570 - 7 Pc. Stubby Flex Combination Ratcheting Wrench Set SAE

Item No.	Description	
9571	3/8"	Stubby Flex Combination Ratcheting Wrench
9572	7/16"	Stubby Flex Combination Ratcheting Wrench
9573	1/2"	Stubby Flex Combination Ratcheting Wrench
9574	9/16"	Stubby Flex Combination Ratcheting Wrench
9575	5/8"	Stubby Flex Combination Ratcheting Wrench
9576	11/16"	Stubby Flex Combination Ratcheting Wrench
9577	3/4"	Stubby Flex Combination Ratcheting Wrench

SETS
WRENCHES

Stubby Flex Ratcheting Wrench



Open Stock - Stubby Flex Combination Ratcheting Wrench SAE

Item No.	Opening Inches/Metric	Overall Length (inch) A	Width Open End (inch) B	Thickness Open End (inch) C	Width Box End (inch) D	Thickness Box End (inch) E	Weight (lbs)
9571	3/8"	3.701	0.862	0.224	0.780	0.303	0.101
9572	7/16"	4.016	0.953	0.252	0.854	0.323	0.121
9573	1/2"	4.213	1.146	0.319	0.984	0.339	0.167
9574	9/16"	4.488	1.228	0.327	1.035	0.370	0.203
9575	5/8"	4.803	1.358	0.346	1.201	0.406	0.268
9576	11/16"	4.961	1.492	0.362	1.272	0.421	0.308
9577	3/4"	5.433	1.626	0.374	1.339	0.441	0.41
9551	10 mm	3.701	0.862	0.224	0.780	0.303	0.102
9552	11 mm	4.016	0.953	0.252	0.854	0.323	0.12
9553	12 mm	4.134	1.047	0.291	0.906	0.339	0.144
9554	13 mm	4.213	1.146	0.319	0.984	0.339	0.167
9555	14 mm	4.488	1.228	0.327	1.035	0.370	0.202
9556	15 mm	4.646	1.327	0.327	1.130	0.390	0.232
9557	16 mm	4.803	1.358	0.346	1.201	0.406	0.268
9558	17 mm	4.961	1.492	0.362	1.272	0.421	0.314
9559	18 mm	5.118	1.583	0.370	1.307	0.441	0.361
9560	19 mm	5.433	1.626	0.374	1.339	0.441	0.408

OPEN STOCK

WRENCHES

XL GearBox™ Ratcheting Wrenches



85988 - 12 Pc. XL GearBox™ Double Box Ratcheting Wrench Set METRIC

Item No.	Description	
85908	8 mm	XL GearBox™ Double Box Ratcheting Wrench
85909	9 mm	XL GearBox™ Double Box Ratcheting Wrench
85910	10 mm	XL GearBox™ Double Box Ratcheting Wrench
85911	11 mm	XL GearBox™ Double Box Ratcheting Wrench
85912	12 mm	XL GearBox™ Double Box Ratcheting Wrench
85913	13 mm	XL GearBox™ Double Box Ratcheting Wrench
85914	14 mm	XL GearBox™ Double Box Ratcheting Wrench
85915	15 mm	XL GearBox™ Double Box Ratcheting Wrench
85916	16 mm	XL GearBox™ Double Box Ratcheting Wrench

85917	17 mm	XL GearBox™ Double Box Ratcheting Wrench
85918	18 mm	XL GearBox™ Double Box Ratcheting Wrench
85919	19 mm	XL GearBox™ Double Box Ratcheting Wrench



85989 - 17 Pc. XL GearBox™ Double Box Ratcheting Wrench Set METRIC

Item No.	Description	
85908	8 mm	XL GearBox™ Ratcheting Wrench
85909	9 mm	XL GearBox™ Ratcheting Wrench
85910	10 mm	XL GearBox™ Ratcheting Wrench
85911	11 mm	XL GearBox™ Ratcheting Wrench
85912	12 mm	XL GearBox™ Ratcheting Wrench
85913	13 mm	XL GearBox™ Ratcheting Wrench
85914	14 mm	XL GearBox™ Ratcheting Wrench
85915	15 mm	XL GearBox™ Ratcheting Wrench
85916	16 mm	XL GearBox™ Ratcheting Wrench
85917	17 mm	XL GearBox™ Ratcheting Wrench
85918	18 mm	XL GearBox™ Ratcheting Wrench
85919	19 mm	XL GearBox™ Ratcheting Wrench

MASTER SET

85920	20 mm	XL GearBox™ Ratcheting Wrench
85921	21 mm	XL GearBox™ Ratcheting Wrench
85922	22 mm	XL GearBox™ Ratcheting Wrench
85924	24 mm	XL GearBox™ Ratcheting Wrench
85925	25 mm	XL GearBox™ Ratcheting Wrench



85987 - 5 Pc. XL GearBox™ Double Box Ratcheting Wrench Add-On Set METRIC

Item No.	Description	
85920	20 mm	XL GearBox™ Ratcheting Wrench
85921	21 mm	XL GearBox™ Ratcheting Wrench
85922	22 mm	XL GearBox™ Ratcheting Wrench
85924	24 mm	XL GearBox™ Ratcheting Wrench
85925	25 mm	XL GearBox™ Ratcheting Wrench

ADD-ON SET (Complement to 85988)

XL GearBox™ Ratcheting Wrenches

85999 - 13 Pc. XL GearBox™ Double Box Ratcheting Wrench Set SAE

Item No.	Description	
85950	5/16"	XL GearBox™ Ratcheting Wrench
85951	11/32"	XL GearBox™ Ratcheting Wrench
85952	3/8"	XL GearBox™ Ratcheting Wrench
85954	7/16"	XL GearBox™ Ratcheting Wrench
85956	1/2"	XL GearBox™ Ratcheting Wrench
85958	9/16"	XL GearBox™ Ratcheting Wrench
85960	5/8"	XL GearBox™ Ratcheting Wrench
85962	11/16"	XL GearBox™ Ratcheting Wrench
85964	3/4"	XL GearBox™ Ratcheting Wrench
85966	13/16"	XL GearBox™ Ratcheting Wrench
85968	7/8"	XL GearBox™ Ratcheting Wrench
85970	15/16"	XL GearBox™ Ratcheting Wrench
85972	1"	XL GearBox™ Ratcheting Wrench



MASTER SET

85998 - 9 Pc. XL GearBox™ Double Box Ratcheting Wrench Set SAE

Item No.	Description	
85950	5/16"	XL GearBox™ Double Box Ratcheting Wrench
85951	11/32"	XL GearBox™ Double Box Ratcheting Wrench
85952	3/8"	XL GearBox™ Double Box Ratcheting Wrench
85954	7/16"	XL GearBox™ Double Box Ratcheting Wrench
85956	1/2"	XL GearBox™ Double Box Ratcheting Wrench
85958	9/16"	XL GearBox™ Double Box Ratcheting Wrench
85960	5/8"	XL GearBox™ Double Box Ratcheting Wrench
85962	11/16"	XL GearBox™ Double Box Ratcheting Wrench
85964	3/4"	XL GearBox™ Double Box Ratcheting Wrench



SETS

WRENCHES

85996 - 4 Pc. XL GearBox™ Double Box Ratcheting Wrench Add-On Set SAE

Item No.	Description	
85966	13/16"	XL GearBox™ Ratcheting Wrench
85968	7/8"	XL GearBox™ Ratcheting Wrench
85970	15/16"	XL GearBox™ Ratcheting Wrench
85972	1"	XL GearBox™ Ratcheting Wrench



ADD-ON SET (Complement to 85998)

PATENTED

XL GearBox™ Ratcheting Wrenches



Open Stock - XL GearBox™ Double Box Ratcheting Wrench SAE/METRIC

Item No.	Opening Inches/Metric	Overall Length (inch) A	Width Box End (inch) B	Thickness Box End (inch) C	Width Box End (inch) D	Thickness Box End (inch) E	Weight (lbs)
85950	5/16"	8.71	0.67	0.27	0.46	0.24	0.121
85951	11/32"	8.91	0.7	0.27	0.52	0.26	0.125
85952	3/8"	9.5	0.78	0.3	0.57	0.27	0.167
85954	7/16"	9.89	0.85	0.32	0.62	0.31	0.196
85956	1/2"	11.31	0.98	0.34	0.74	0.35	0.260
85958	9/16"	12.02	1.04	0.37	0.8	0.39	0.378
85960	5/8"	13.71	1.2	0.41	0.9	0.43	0.497
85962	11/16"	14.7	1.27	0.42	0.94	0.43	0.667
85964	3/4"	15.6	1.34	0.44	1.04	0.47	0.768
85966	13/16"	16.54	1.54	0.51	1.18	0.57	1.415
85968	7/8"	17.01	1.54	0.51	1.22	0.57	2.062
85970	15/16"	18.03	1.75	0.57	1.34	0.59	2.709
85972	1"	18.5	1.75	0.57	1.42	0.59	3.356
85908	8 mm	8.71	0.67	0.27	0.46	0.24	0.121
85909	9 mm	8.91	0.7	0.27	0.52	0.26	0.125
85910	10 mm	9.5	0.78	0.3	0.57	0.27	0.167
85911	11 mm	9.89	0.85	0.32	0.62	0.31	0.196
85912	12 mm	10.52	0.91	0.34	0.68	0.33	0.260
85913	13 mm	11.31	0.98	0.34	0.74	0.35	0.330
85914	14 mm	12.02	1.04	0.37	0.8	0.39	0.378
85915	15 mm	12.72	1.13	0.39	0.86	0.43	0.462
85916	16 mm	13.71	1.2	0.41	0.9	0.43	0.497
85917	17 mm	14.7	1.27	0.42	0.94	0.43	0.667
85918	18 mm	15.13	1.31	0.44	0.98	0.45	0.691
85919	19 mm	15.6	1.34	0.44	1.04	0.47	0.768
85920	20 mm	15.98	1.54	0.51	1.14	0.52	1.415
85921	21 mm	16.54	1.54	0.51	1.18	0.57	2.062
85922	22 mm	17.01	1.54	0.51	1.22	0.57	2.709
85924	24 mm	18.03	1.75	0.57	1.34	0.59	3.356
85925	25 mm	18.5	1.75	0.57	1.42	0.59	4.003

PATENTED

OPEN STOCK

WRENCHES

XL Spline Ratcheting Wrenches

85598 - 9 Pc. XL Spline Combination Ratcheting Wrench Set SAE

Item No.	Description
85548	#8 x 1/4" XL Spline Combination Ratcheting Wrench
85550	#10 x 5/16" XL Spline Combination Ratcheting Wrench
85552	#12 x 3/8" XL Spline Combination Ratcheting Wrench
85554	#14 x 7/16" XL Spline Combination Ratcheting Wrench
85556	#16 x 1/2" XL Spline Combination Ratcheting Wrench
85558	#18 x 9/16" XL Spline Combination Ratcheting Wrench
85560	#20 x 5/8" XL Spline Combination Ratcheting Wrench
85562	#22 x 11/16" XL Spline Combination Ratcheting Wrench
85564	#24 x 3/4" XL Spline Combination Ratcheting Wrench



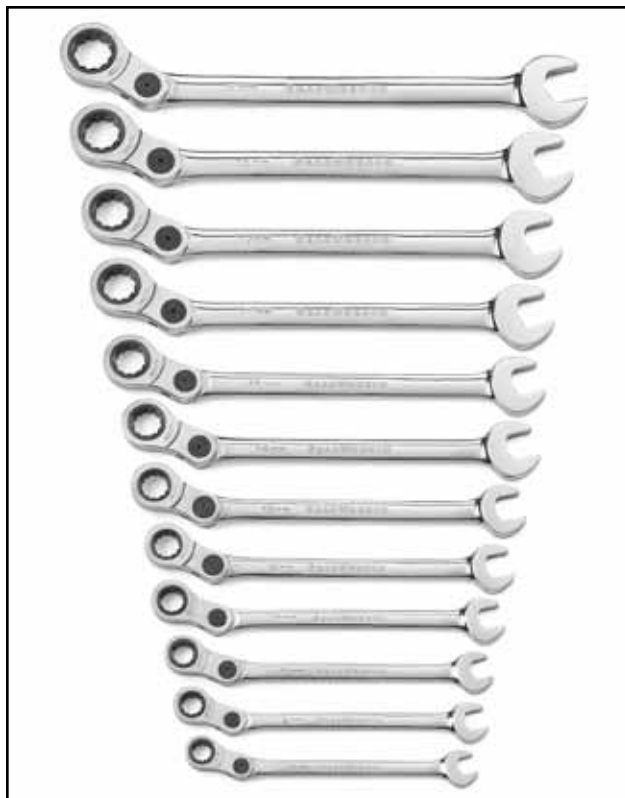
Open Stock - XL Spline Combination Ratcheting Wrench SAE

Item No.	Opening Inches	Overall Length (inch) A	Width Open End (inch) B	Thickness Open End (inch) C	Width Box End (inch) D	Thickness Box End (inch) E	Weight (lbs)
85548	#8 x 1/4"	5.315	0.610	0.256	0.567	0.181	0.121
85550	#10 x 5/16"	5.906	0.665	0.272	0.768	0.197	0.196
85552	#12 x 3/8"	7.087	0.780	0.303	0.862	0.224	0.227
85554	#14 x 7/16"	7.677	0.854	0.323	0.953	0.252	0.296
85556	#16 x 1/2"	8.661	0.984	0.339	1.146	0.319	0.347
85558	#18 x 9/16"	9.252	1.035	0.370	1.228	0.327	0.385
85560	#20 x 5/8"	10.236	1.201	0.406	1.358	0.346	0.517
85562	#22 x 11/16"	10.827	1.272	0.421	1.492	0.362	0.577
85564	#24 x 3/4"	12.008	1.339	0.441	1.626	0.374	0.771

SETS

WRENCHES

Indexing *Ratcheting Wrenches*



85488 - 12 Pc. Indexing Combination Wrench Set METRIC

Item No.	Description	
85418	8 mm	Indexing Combination Wrench
85439	9 mm	Indexing Combination Wrench
85440	10 mm	Indexing Combination Wrench
85441	11 mm	Indexing Combination Wrench
85442	12 mm	Indexing Combination Wrench
85443	13 mm	Indexing Combination Wrench
85444	14 mm	Indexing Combination Wrench
85445	15 mm	Indexing Combination Wrench
85446	16 mm	Indexing Combination Wrench
85447	17 mm	Indexing Combination Wrench
85448	18 mm	Indexing Combination Wrench
85449	19 mm	Indexing Combination Wrench

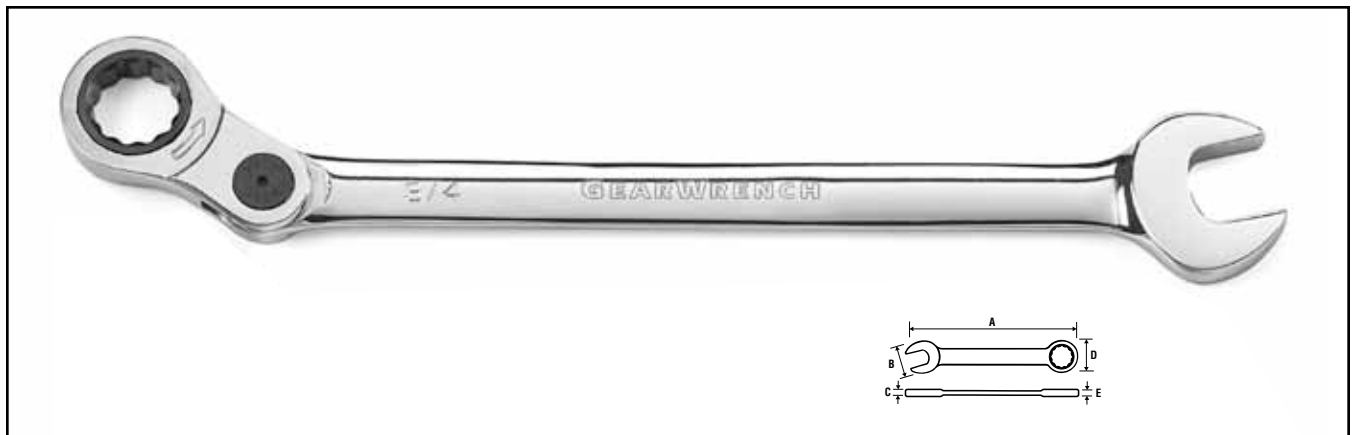


85498 - 8 Pc. Indexing Combination Wrench Set SAE

Item No.	Description	
85450	5/16"	Indexing Combination Wrench
85452	3/8"	Indexing Combination Wrench
85454	7/16"	Indexing Combination Wrench
85456	1/2"	Indexing Combination Wrench
85458	9/16"	Indexing Combination Wrench
85460	5/8"	Indexing Combination Wrench
85462	11/16"	Indexing Combination Wrench
85464	3/4"	Indexing Combination Wrench

SETS
WRENCHES

Indexing Ratcheting Wrenches



Open Stock - Indexing Combination Wrenches SAE/METRIC

Item No.	Opening Inches/Metric	Overall Length (inch) A	Width Open End (inch) B	Thickness Open End (inch) C	Width Box End (inch) D	Thickness Box End (inch) E	Weight (lbs)
85450	5/16"	4.949	0.709	0.197	0.535	0.127	0.046
85452	3/8"	5.909	0.906	0.220	0.574	0.127	0.062
85454	7/16"	6.417	0.984	0.240	0.618	0.127	0.071
85456	1/2"	7.217	1.102	0.303	0.685	0.171	0.093
85458	9/16"	7.665	1.260	0.307	0.728	0.171	0.121
85460	5/8"	8.508	1.378	0.346	0.813	0.197	0.143
85462	11/16"	9.016	1.496	0.370	0.844	0.197	0.196
85464	3/4"	10.122	1.654	0.386	0.883	0.197	0.273
85418	8 mm	4.949	0.709	0.197	0.535	0.127	0.064
85439	9 mm	5.394	0.787	0.209	0.543	0.127	0.090
85440	10 mm	5.909	0.906	0.220	0.574	0.127	0.123
85441	11 mm	6.417	0.984	0.240	0.618	0.127	0.141
85442	12 mm	6.783	1.063	0.260	0.660	0.171	0.176
85443	13 mm	7.217	1.102	0.303	0.685	0.171	0.185
85444	14 mm	7.665	1.260	0.307	0.728	0.171	0.236
85445	15 mm	8.185	1.299	0.315	0.766	0.171	0.287
85446	16 mm	8.508	1.378	0.346	0.813	0.197	0.340
85447	17 mm	9.016	1.496	0.370	0.844	0.197	0.414
85448	18 mm	9.555	1.535	0.370	0.851	0.197	0.428
85449	19 mm	10.122	1.654	0.386	0.883	0.197	0.708

OPEN STOCK

WRENCHES

Open End *Ratcheting* Wrenches



85597 - 12 Pc. Open End Ratcheting Set METRIC

Item No.	Description	
85508	8 mm	Ratcheting Open End Wrench
85509	9 mm	Ratcheting Open End Wrench
85510	10 mm	Ratcheting Open End Wrench
85511	11 mm	Ratcheting Open End Wrench
85512	12 mm	Ratcheting Open End Wrench
85513	13 mm	Ratcheting Open End Wrench
85514	14 mm	Ratcheting Open End Wrench
85515	15 mm	Ratcheting Open End Wrench
85516	16 mm	Ratcheting Open End Wrench
85517	17 mm	Ratcheting Open End Wrench
85518	18 mm	Ratcheting Open End Wrench
85519	19 mm	Ratcheting Open End Wrench



85599 - 8 Pc. Open End Ratcheting Set SAE

Item No.	Description	
85570	5/16"	Ratcheting Open End Wrench
85572	3/8"	Ratcheting Open End Wrench
85574	7/16"	Ratcheting Open End Wrench
85576	1/2"	Ratcheting Open End Wrench
85578	9/16"	Ratcheting Open End Wrench
85580	5/8"	Ratcheting Open End Wrench
85582	11/16"	Ratcheting Open End Wrench
85584	3/4"	Ratcheting Open End Wrench

SETS
WRENCHES

Open End Ratcheting Wrenches

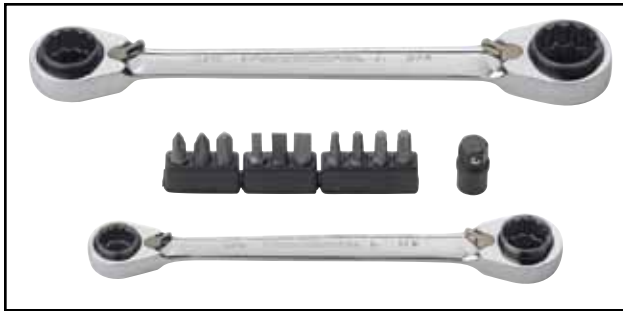


Open Stock - Open End Ratcheting Wrenches SAE/METRIC

Item No.	Opening Inches/Metric	Overall Length (inch) A	Width Open End (inch) B	Thickness Open End (inch) C	Width Box End (inch) D	Thickness Box End (inch) E	Weight (lbs)
85570	5/16"	5.508	0.658	0.197	0.625	0.256	0.046
85572	3/8"	6.256	0.822	0.220	0.750	0.287	0.062
85574	7/16"	6.508	0.905	0.240	0.811	0.303	0.071
85576	1/2"	7.008	1.069	0.303	0.930	0.339	0.093
85578	9/16"	7.504	1.152	0.307	1.020	0.354	0.121
85580	5/8"	8.201	1.316	0.346	1.130	0.390	0.143
85582	11/16"	8.878	1.399	0.370	1.201	0.406	0.196
85584	3/4"	9.764	1.563	0.386	1.278	0.441	0.273
85508	8 mm	5.508	0.658	0.197	0.625	0.256	0.064
85509	9 mm	5.882	0.741	0.209	0.689	0.272	0.090
85510	10 mm	6.256	0.822	0.220	0.750	0.287	0.123
85511	11 mm	6.508	0.905	0.240	0.811	0.303	0.141
85512	12 mm	6.756	0.988	0.260	0.855	0.323	0.176
85513	13 mm	7.008	1.069	0.303	0.930	0.339	0.185
85514	14 mm	7.504	1.152	0.307	1.020	0.354	0.236
85515	15 mm	7.854	1.233	0.315	1.070	0.370	0.287
85516	16 mm	8.201	1.316	0.346	1.130	0.390	0.340
85517	17 mm	8.878	1.399	0.370	1.201	0.406	0.414
85518	18 mm	9.315	1.480	0.370	1.239	0.421	0.428
85519	19 mm	9.764	1.563	0.386	1.278	0.441	0.708

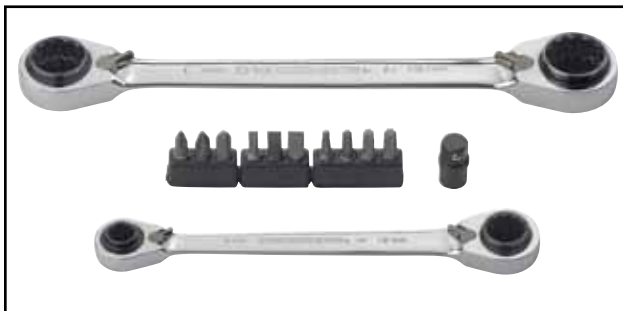
OPEN STOCK
WRENCHES

QuadBox™ Ratcheting Wrenches



85200 - 13 Pc. QuadBox™ Double Box Ratcheting Wrench Set SAE

Item No.	Description
85201	5/16", 3/8", 7/16", 1/2" QuadBox™ Ratcheting Wrench
85202	9/16", 5/8", 11/16", 3/4" QuadBox™ Ratcheting Wrench
	1/4" Access Bit Adapter
#1	Phillips Bit 1/4"
#2	Phillips Bit 1/4"
#3	Phillips Bit 1/4"
5/32	Slotted Bit 1/4"
7/32	Slotted Bit 1/4"
1/4	Slotted Bit 1/4"
T-15	Torx® Bit 1/4"
T-20	Torx® Bit 1/4"
T-25	Torx® Bit 1/4"
T-27	Torx® Bit 1/4"



85210 - 13 Pc. QuadBox™ Double Box Ratcheting Wrench Set METRIC

Item No.	Description
85211	8, 10, 12, 13 mm QuadBox™ Ratcheting Wrench
85212	16, 17, 18, 19 mm QuadBox™ Ratcheting Wrench
	1/4" Access Bit Adapter
#1	Phillips Bit 1/4"
#2	Phillips Bit 1/4"
#3	Phillips Bit 1/4"
5/32	Slotted Bit 1/4"
7/32	Slotted Bit 1/4"
1/4	Slotted Bit 1/4"
T-15	Torx® Bit 1/4"
T-20	Torx® Bit 1/4"
T-25	Torx® Bit 1/4"
T-27	Torx® Bit 1/4"

SETS

WRENCHES

QuadBox™ Ratcheting Wrenches

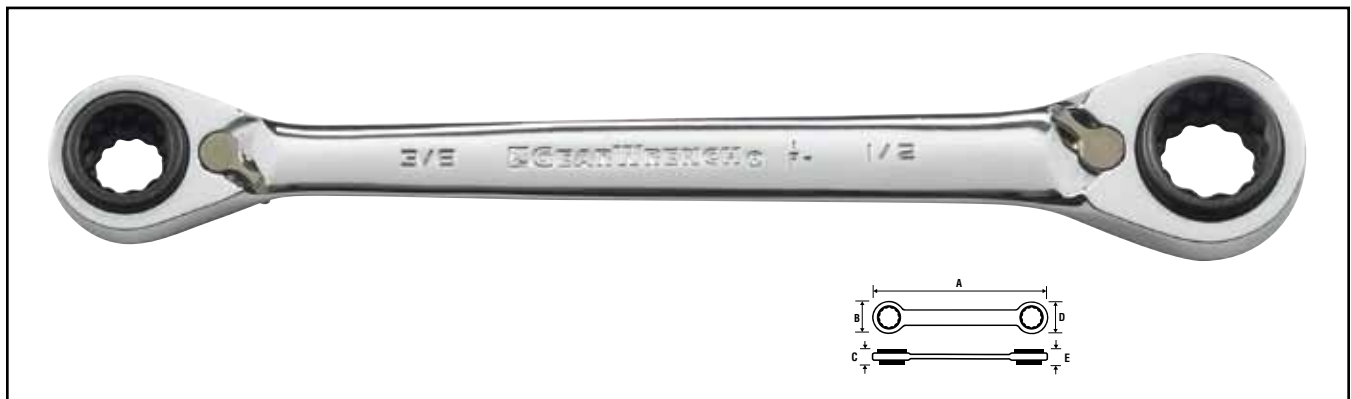
85204 - 3 Pc. QuadBox™ Double Box Ratcheting Wrench Set SAE

Item No.	Description
85201	5/16", 3/8", 7/16", 1/2" QuadBox™ Ratcheting Wrench
85202	9/16", 5/8", 11/16", 3/4" QuadBox™ Ratcheting Wrench
85203	13/16", 7/8", 15/16", 1" QuadBox™ Ratcheting Wrench



85215 - 4 Pc. QuadBox™ Double Box Ratcheting Wrench Set METRIC

Item No.	Description
85211	8, 10, 12, 13 mm QuadBox™ Ratcheting Wrench
85212	16, 17, 18, 19 mm QuadBox™ Ratcheting Wrench
85213	9, 11, 14, 15 mm QuadBox™ Ratcheting Wrench
85214	20, 21, 22, 24 mm QuadBox™ Ratcheting Wrench

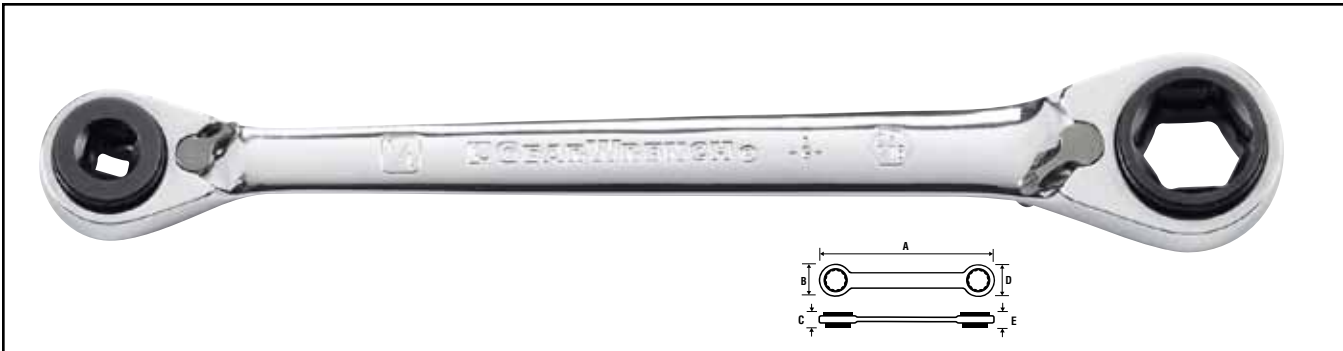


Open Stock - QuadBox™ Ratcheting Wrench SAE/METRIC

Item No.	Opening Inches/Metric	Overall Length (inch) A	Width Box End (inch) B	Thickness Box End (inch) C	Width Box End (inch) D	Thickness Box End (inch) E	Weight (lbs)
85201	5/16", 3/8", 7/16", 1/2"	6.3	0.78	0.47	0.98	0.59	0.185
85202	9/16", 5/8", 11/16", 3/4"	8.27	1.2	0.67	1.34	0.75	0.449
85203	13/16", 7/8", 15/16", 1"	11.42	1.54	0.91	1.79	1.1	1.10
85211	8, 10, 12, 13 mm	6.3	0.78	0.47	0.98	0.59	0.189
85212	16, 17, 18, 19 mm	9.06	1.27	0.71	1.34	0.79	0.491
85213	9, 11, 14, 15 mm	7.09	0.85	0.51	1.13	0.63	0.253
85214	20, 21, 22, 24 mm	11.42	1.54	0.91	1.79	1.1	1.056

SETS
WRENCHES

QuadBox™ Ratcheting Wrenches



Open Stock - QuadBox™ HVAC Ratcheting Wrench SAE

Item No.	Opening Inches	Overall Length (inch) A	Width Box End (inch) B	Thickness Box End (inch) C	Width Box End (inch) D	Thickness Box End (inch) E	Weight (lbs)
85220	1/4" x 3/16" (Square) 3/8" x 5/16" (Square)	5.512	0.780	0.496	0.850	0.488	0.176
85221	1/4" x 3/16" (Square) 9/16" x 1/2" (Hex)	6.890	0.780	0.496	1.035	0.598	0.240



9260 - 6 Pc. Double Box Ratcheting Wrench Set METRIC

Item No.	Description
9210	8 X 9 mm Double Box Ratcheting Wrench
9211	10 X 11 mm Double Box Ratcheting Wrench
9212	12 X 13 mm Double Box Ratcheting Wrench
9213	14 X 15 mm Double Box Ratcheting Wrench
9214	16 X 18 mm Double Box Ratcheting Wrench
9215	17 X 19 mm Double Box Ratcheting Wrench



9240 - 4 Pc. Double Box Ratcheting Wrench Set SAE

Item No.	Description
9201	5/16" x 3/8" Double Box Ratcheting Wrench
9202	7/16" x 1/2" Double Box Ratcheting Wrench
9203	9/16" x 5/8" Double Box Ratcheting Wrench
9204	11/16" x 3/4" Double Box Ratcheting Wrench

PATENTED

OPEN STOCK
WRENCHES

Double Box Ratcheting Wrenches



Open Stock - Double Box Ratcheting Wrench SAE/METRIC

Item No.	Opening Inches/Metric	Overall Length (inch) A	Width Box End (inch) B	Thickness Box End (inch) C	Width Box End (inch) D	Thickness Box End (inch) E	Weight (lbs)
9201	5/16" x 3/8"	5.118	0.665	0.272	0.705	0.272	0.087
9202	7/16" x 1/2"	6.299	0.854	0.323	0.984	0.339	0.16
9203	9/16" x 5/8"	7.480	1.035	0.370	1.201	0.406	0.272
9204	11/16" x 3/4"	9.055	1.272	0.421	1.339	0.441	0.45
9210	8 X 9 mm	5.118	0.665	0.272	0.705	0.272	0.866
9211	10 X 11 mm	5.906	0.780	0.303	0.854	0.323	0.126
9212	12 X 13 mm	6.693	0.906	0.339	0.984	0.339	0.187
9213	14 X 15 mm	7.480	1.035	0.370	1.130	0.390	0.248
9214	16 X 18 mm	8.268	1.201	0.406	1.307	0.441	0.373
9215	17 X 19 mm	9.055	1.272	0.421	1.339	0.441	0.462

9850 - 5 Pc. Half Moon Reversible Double Box Ratcheting Wrench Set METRIC

Item No.	Description
9851	10 x 12 mm Half Moon Ratcheting Wrench
9852	11 x 13 mm Half Moon Ratcheting Wrench
9853	14 x 16 mm Half Moon Ratcheting Wrench
9854	15 x 17 mm Half Moon Ratcheting Wrench
9855	19 x 22 mm Half Moon Ratcheting Wrench



9840 - 4 Pc. Half Moon Reversible Double Box Ratcheting Wrench Set SAE

Item No.	Description
9841	3/8" x 7/16" Half Moon Ratcheting Wrench
9842	1/2" x 9/16" Half Moon Ratcheting Wrench
9843	5/8" x 11/16" Half Moon Ratcheting Wrench
9844	3/4" x 7/8" Half Moon Ratcheting Wrench



PATENTED

OPEN STOCK
WRENCHES

Half Moon Ratcheting Wrenches



Open Stock - Half Moon Reversible Double Box Ratcheting Wrench SAE/METRIC

Item No.	Opening Inches/Metric	Overall Length (inch) A	Width Box End (inch) B	Thickness Box End (inch) C	Width Box End (inch) D	Thickness Box End (inch) E	Weight (lbs)
9841	3/8" x 7/16"	5.157	0.780	0.303	0.906	0.323	0.185
9842	1/2" x 9/16"	6.220	0.984	0.339	1.035	0.370	0.449
9843	5/8" x 11/16"	7.913	1.201	0.406	1.307	0.421	1.10
9844	3/4" x 7/8"	9.094	1.339	0.441	1.535	0.512	0.189
9851	10 x 12 mm	5.157	0.780	0.303	0.906	0.339	0.491
9852	11 x 13 mm	5.787	0.854	0.323	0.984	0.339	0.253
9853	14 x 16 mm	6.654	1.035	0.370	1.272	0.406	1.056
9854	15 x 17 mm	7.913	1.201	0.390	1.307	0.421	1.294
9855	19 x 22 mm	9.094	1.339	0.441	1.535	0.512	1.316

OPEN STOCK

WRENCHES



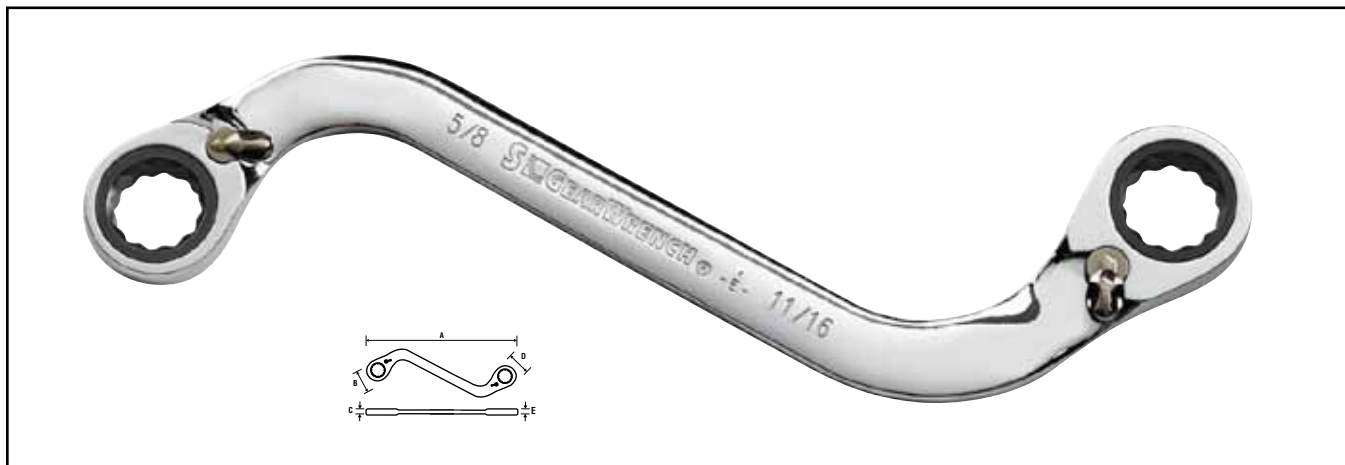
85299 - 5 Pc. S-Shape Reversible Double Box Ratcheting Wrench Set METRIC

Item No.	Description
85222	10 x 12 mm S-Shape Ratcheting Wrench
85224	11 x 13 mm S-Shape Ratcheting Wrench
85230	14 x 16 mm S-Shape Ratcheting Wrench
85232	15 x 17 mm S-Shape Ratcheting Wrench
85241	19 x 22 mm S-Shape Ratcheting Wrench

S-Shape Ratcheting Wrenches

85399 - 4 Pc. S-Shape Reversible Double Box Ratcheting Wrench Set SAE

Item No.	Description
85326	3/8" x 7/16" S-Shape Ratcheting Wrench
85334	1/2" x 9/16" S-Shape Ratcheting Wrench
85342	5/8" x 11/16" S-Shape Ratcheting Wrench
85352	3/4" x 7/8" S-Shape Ratcheting Wrench

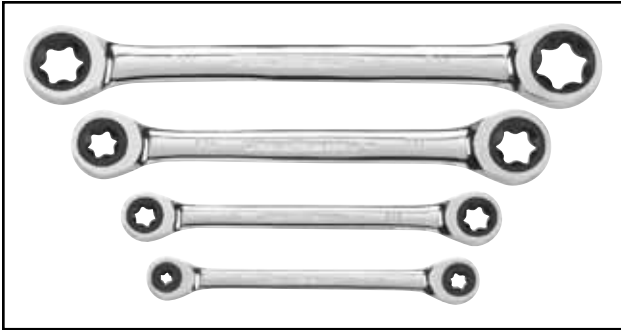


Open Stock - S-Shape Reversible Double Box Ratcheting Wrench SAE/METRIC

Item No.	Opening Inches/Metric	Overall Length (inch) A	Width Box End (inch) B	Thickness Box End (inch) C	Width Box End (inch) D	Thickness Box End (inch) E	Weight (lbs)
85326	3/8" x 7/16"	8.811	1.535	0.512	1.339	0.441	0.182
85334	1/2" x 9/16"	6.268	0.984	0.370	1.035	0.339	0.291
85342	5/8" x 11/16"	8.114	1.307	0.421	1.201	0.406	0.55
85352	3/4" x 7/8"	8.811	1.535	0.512	1.339	0.441	0.825
85222	10 x 12 mm	5.217	0.906	0.339	0.780	0.303	0.181
85224	11 x 13 mm	5.650	0.984	0.339	0.854	0.323	0.225
85230	14 x 16 mm	6.906	1.272	0.406	1.035	0.370	0.399
85232	15 x 17 mm	8.114	1.307	0.421	1.201	0.390	0.554
85241	19 x 22 mm	8.811	1.535	0.512	1.339	0.441	0.818

SETS
WRENCHES

E-Torx® Ratcheting Wrenches



9224 - 4 Pc. E-Torx® Double Box Ratcheting Wrench Set TORX®

Item No.	Description	
9220	E6 x E8	E-Torx Ratcheting Wrench
9221	E10 x E12	E-Torx Ratcheting Wrench
9222	E14 x E18	E-Torx Ratcheting Wrench
9223	E20 x E24	E-Torx Ratcheting Wrench



Open Stock - E-Torx® Double Box Ratcheting Wrenches TORX®

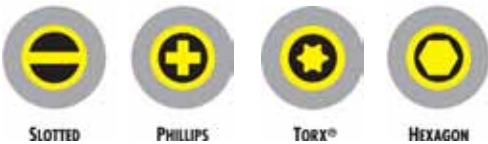
Item No.	Opening Inches/Metric	Overall Length (inch) A	Width Box End (inch) B	Thickness Box End (inch) C	Width Box End (inch) D	Thickness Box End (inch) E	Weight (lbs)
9220	E6 x E8	5.118	0.630	0.689	0.256	0.272	0.094
9221	E10 x E12	5.906	0.748	0.811	0.287	0.303	0.135
9222	E14 x E18	7.480	0.849	1.130	0.354	0.390	0.300
9223	E20 x E24	9.055	1.201	1.280	0.406	0.441	0.554

SETS
WRENCHES



9537 - 37 Pc. Access Bit Set with 1/2" Reversible Ratcheting Wrench

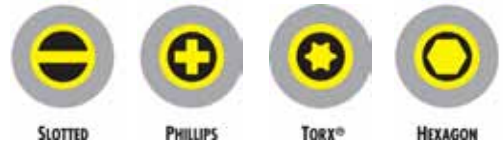
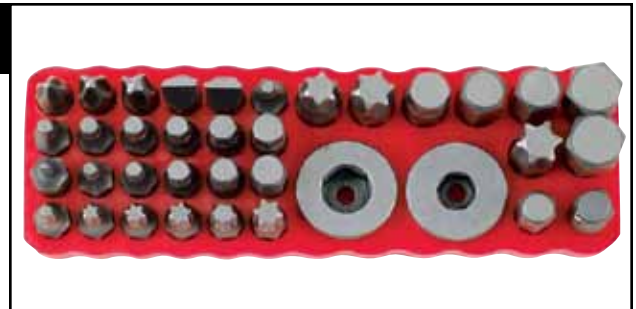
Item No.	Description	
9528	1/2"	Combination Ratcheting Wrench
	1/4"	Access Bit Adapter
	5/16"	Access Bit Adapter
34	Assorted Bits with Holder See Set 9536 for Complete Listing of Bits Included	



Open Stock *Ratcheting Wrenches*

9536 - 36 Pc. Access Bit Set

1/4"	Access Bit Adapter	2.5 mm	Hex Bit 1/4"
5/16"	Access Bit Adapter	3 mm	Hex Bit 1/4"
#1	Phillips Bit 1/4"	4 mm	Hex Bit 1/4"
#2	Phillips Bit 1/4"	5 mm	Hex Bit 1/4"
#3	Phillips Bit 1/4"	6 mm	Hex Bit 1/4"
1/4	Slotted Bit 1/4"	7 mm	Hex Bit 3/8"
9/32	Slotted Bit 1/4"	8 mm	Hex Bit 3/8"
3/32	Hex Bit 1/4"	10 mm	Hex Bit 3/8"
7/64	Hex Bit 1/4"	T-10	Torx® Bit 1/4"
1/8	Hex Bit 1/4"	T-15	Torx® Bit 1/4"
9/64	Hex Bit 1/4"	T-20	Torx® Bit 1/4"
5/32	Hex Bit 1/4"	T-25	Torx® Bit 1/4"
3/16	Hex Bit 1/4"	T-27	Torx® Bit 1/4"
7/32	Hex Bit 1/4"	T-30	Torx® Bit 1/4"
1/4	Hex Bit 1/4"	T-40	Torx® Bit 3/8"
5/16	Hex Bit 3/8"	T-45	Torx® Bit 3/8"
3/8	Hex Bit 3/8"	T-50	Torx® Bit 3/8"
2 mm	Hex Bit 1/4"	1/4"	Dr. Socket Adapter



9535 - 2 Pc. Access Bit Adapter Set

Item No.	Description
1/4"	Access Bit Adapter
5/16"	Access Bit Adapter



9230 - 3 Pc. Drive Adapter Set METRIC

Item No.	Description	Weight (lbs)
9207	1/4" Dr. x 10 mm	0.027
9208	3/8" Dr. x 13 mm	0.057
9209	1/2" Dr. x 19 mm	0.121



9231 - 3 Pc. Drive Adapter Set SAE

Item No.	Description	Weight (lbs)
9217	1/4" Dr. x 3/8"	0.026
9218	3/8" Dr. x 1/2"	0.055
9219	1/2" Dr. x 3/4"	0.122



SETS

WRENCHES

**NON-RATCHETING
WRENCHES**

AVAILABLE IN:

- 6 Point
- 12 Point



Offset Box End

Non-Ratcheting
Box End

Long Pattern Length

Surface Drive Plus™

- Provides stronger grip on fasteners
- Reduces fastener rounding
- Delivers up to 25% more torque

Unique beam design
reduces hand fatigue

Up to 25% longer to
access hard-to-reach
fasteners

Size stamped on both
sides and head

Chrome Vanadium

Offset Box End

Stubby Pattern Length

Products are covered by one or more of the following patents:
 • US 6,263,769 US 6,267,028 US 6,082,228 D412819 D437536

WRENCHES

81912 - 12 Pc. XL X-Beam™ Combination Non-Ratcheting Wrench Set METRIC

Item No.	Description	
81698	8 mm	XL X-Beam™ Combination Wrench
81699	9 mm	XL X-Beam™ Combination Wrench
81700	10 mm	XL X-Beam™ Combination Wrench
81701	11 mm	XL X-Beam™ Combination Wrench
81703	12 mm	XL X-Beam™ Combination Wrench
81705	13 mm	XL X-Beam™ Combination Wrench
81706	14 mm	XL X-Beam™ Combination Wrench
81707	15 mm	XL X-Beam™ Combination Wrench
81709	16 mm	XL X-Beam™ Combination Wrench
81710	17 mm	XL X-Beam™ Combination Wrench
81711	18 mm	XL X-Beam™ Combination Wrench
81713	19 mm	XL X-Beam™ Combination Wrench



81913 - 9 Pc. XL X-Beam™ Combination Non-Ratcheting Wrench Set SAE

Item No.	Description	
81714	5/16"	XL X-Beam™ Combination Wrench
81715	11/32"	XL X-Beam™ Combination Wrench
81717	3/8"	XL X-Beam™ Combination Wrench
81718	7/16"	XL X-Beam™ Combination Wrench
81719	1/2"	XL X-Beam™ Combination Wrench
81721	9/16"	XL X-Beam™ Combination Wrench
81722	5/8"	XL X-Beam™ Combination Wrench
81723	11/16"	XL X-Beam™ Combination Wrench
81725	3/4"	XL X-Beam™ Combination Wrench





Open Stock - XL X-Beam™ Combination Non-Ratcheting Wrenches SAE/METRIC

Item No.	Opening Inches/Metric	Overall Length (inch) A	Width Open End (inch) B	Thickness Open End (inch) C	Width Open End (inch) D	Thickness Open End (inch) E	Weight (lbs)
81714	5/16"	5.790	0.709	0.197	0.524	0.228	0.101
81715	11/32"	6.220	0.787	0.205	0.571	0.256	0.182
81717	3/8"	6.540	0.955	0.224	0.622	0.283	0.211
81718	7/16"	7.280	0.984	0.248	0.673	0.307	0.257
81719	1/2"	8.110	1.102	0.276	0.768	0.346	0.303
81721	9/16"	8.720	1.260	0.295	0.835	0.378	0.412
81722	5/8"	9.510	1.378	0.315	0.929	0.425	0.532
81723	11/16"	10.220	1.496	0.354	1.004	0.445	0.622
81725	3/4"	10.960	1.654	0.374	1.087	0.488	0.788
81698	8 mm	5.790	0.709	0.197	0.524	0.228	0.101
81699	9 mm	6.220	0.787	0.205	0.571	0.256	0.182
81700	10 mm	6.540	0.906	0.224	0.622	0.283	0.211
81701	11 mm	7.280	0.984	0.248	0.673	0.307	0.257
81703	12 mm	7.720	1.063	0.264	0.717	0.339	0.309
81705	13 mm	8.110	1.102	0.276	0.768	0.346	0.309
81706	14 mm	8.720	1.260	0.295	0.835	0.378	0.413
81707	15 mm	9.130	1.299	0.315	0.878	0.402	0.467
81709	16 mm	9.510	1.378	0.315	0.929	0.425	0.532
81710	17 mm	10.220	1.496	0.354	1.004	0.445	0.622
81711	18 mm	10.590	1.516	0.354	1.035	0.465	0.694
81713	19 mm	10.960	1.654	0.374	1.087	0.488	0.788

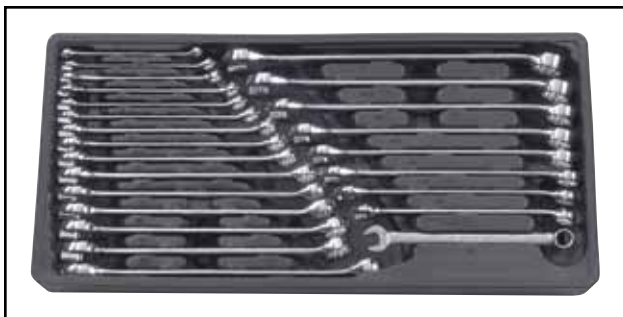
OPEN STOCK
WRENCHES

**81919 - 44 Pc. Long Pattern Combination
Non-Ratcheting Wrench Set SAE/METRIC**

Item No.	Description	
81650	1/4"	Long Pattern Combination Wrench
81652	5/16"	Long Pattern Combination Wrench
81653	11/32"	Long Pattern Combination Wrench
81654	3/8"	Long Pattern Combination Wrench
81655	7/16"	Long Pattern Combination Wrench
81656	1/2"	Long Pattern Combination Wrench
81657	9/16"	Long Pattern Combination Wrench
81658	5/8"	Long Pattern Combination Wrench
81659	11/16"	Long Pattern Combination Wrench
81660	3/4"	Long Pattern Combination Wrench
81661	13/16"	Long Pattern Combination Wrench
81662	7/8"	Long Pattern Combination Wrench
81663	15/16"	Long Pattern Combination Wrench
81664	1"	Long Pattern Combination Wrench
81733	1-1/6"	Long Pattern Combination Wrench
81734	1-1/8"	Long Pattern Combination Wrench
81735	1-1/4"	Long Pattern Combination Wrench
81749	1-5/16"	Long Pattern Combination Wrench
81750	1-1/2"	Long Pattern Combination Wrench
81736	6 mm	Long Pattern Combination Wrench
81737	7 mm	Long Pattern Combination Wrench
81665	8 mm	Long Pattern Combination Wrench
81666	9 mm	Long Pattern Combination Wrench
81667	10 mm	Long Pattern Combination Wrench
81668	11 mm	Long Pattern Combination Wrench
81669	12 mm	Long Pattern Combination Wrench
81670	13 mm	Long Pattern Combination Wrench
81671	14 mm	Long Pattern Combination Wrench
81672	15 mm	Long Pattern Combination Wrench



Item No.	Description	
81673	16 mm	Long Pattern Combination Wrench
81674	17 mm	Long Pattern Combination Wrench
81675	18 mm	Long Pattern Combination Wrench
81676	19 mm	Long Pattern Combination Wrench
81677	20 mm	Long Pattern Combination Wrench
81678	21 mm	Long Pattern Combination Wrench
81679	22 mm	Long Pattern Combination Wrench
81741	23 mm	Long Pattern Combination Wrench
81742	24 mm	Long Pattern Combination Wrench
81751	25 mm	Long Pattern Combination Wrench
81752	26 mm	Long Pattern Combination Wrench
81743	27 mm	Long Pattern Combination Wrench
81753	28 mm	Long Pattern Combination Wrench
81744	30 mm	Long Pattern Combination Wrench
81745	32 mm	Long Pattern Combination Wrench



**81900 - 24 Pc. Long Pattern Combination
Non-Ratcheting Wrench Set SAE/METRIC**

Item No.	Description
81656	1/2" Long Pattern Combination Wrench
81657	9/16" Long Pattern Combination Wrench
81658	5/8" Long Pattern Combination Wrench
81659	11/16" Long Pattern Combination Wrench
81660	3/4" Long Pattern Combination Wrench
81661	13/16" Long Pattern Combination Wrench
81662	7/8" Long Pattern Combination Wrench
81663	15/16" Long Pattern Combination Wrench
81664	1" Long Pattern Combination Wrench

Item No.	Description
81665	8 mm Long Pattern Combination Wrench
81666	9 mm Long Pattern Combination Wrench
81667	10 mm Long Pattern Combination Wrench
81668	11 mm Long Pattern Combination Wrench
81669	12 mm Long Pattern Combination Wrench
81670	13 mm Long Pattern Combination Wrench
81671	14 mm Long Pattern Combination Wrench
81672	15 mm Long Pattern Combination Wrench
81673	16 mm Long Pattern Combination Wrench
81674	17 mm Long Pattern Combination Wrench
81675	18 mm Long Pattern Combination Wrench
81676	19 mm Long Pattern Combination Wrench
81677	20 mm Long Pattern Combination Wrench
81678	21 mm Long Pattern Combination Wrench
81679	22 mm Long Pattern Combination Wrench



**81901 - 15 Pc. Long Pattern Combination
Non-Ratcheting Wrench Set SAE**

Item No.	Description
81652	5/16" Long Pattern Combination Wrench
81653	11/32" Long Pattern Combination Wrench
81654	3/8" Long Pattern Combination Wrench
81655	7/16" Long Pattern Combination Wrench
81656	1/2" Long Pattern Combination Wrench
81657	9/16" Long Pattern Combination Wrench
81658	5/8" Long Pattern Combination Wrench
81659	11/16" Long Pattern Combination Wrench
81660	3/4" Long Pattern Combination Wrench
81661	13/16" Long Pattern Combination Wrench
81662	7/8" Long Pattern Combination Wrench
81663	15/16" Long Pattern Combination Wrench
81664	1" Long Pattern Combination Wrench
81650	1/4" Long Pattern Combination Wrench
81651	9/32" Long Pattern Combination Wrench

SETS
WRENCHES

81917 - 18 Pc. Long Pattern Combination Non-Ratcheting Wrench Set SAE

Item No.	Description	
81650	1/4"	Long Pattern Combination Wrench
81651	9/32"	Long Pattern Combination Wrench
81652	5/16"	Long Pattern Combination Wrench
81653	11/32"	Long Pattern Combination Wrench
81654	3/8"	Long Pattern Combination Wrench
81655	7/16"	Long Pattern Combination Wrench
81656	1/2"	Long Pattern Combination Wrench
81657	9/16"	Long Pattern Combination Wrench
81658	5/8"	Long Pattern Combination Wrench
81659	11/16"	Long Pattern Combination Wrench
81660	3/4"	Long Pattern Combination Wrench
81661	13/16"	Long Pattern Combination Wrench
81662	7/8"	Long Pattern Combination Wrench
81663	15/16"	Long Pattern Combination Wrench



Item No.	Description	
81664	1"	Long Pattern Combination Wrench
81733	1-1/6"	Long Pattern Combination Wrench
81734	1-1/8"	Long Pattern Combination Wrench
81735	1-1/4"	Long Pattern Combination Wrench

81918 - 15 Pc. Long Pattern Combination Non-Ratcheting Wrench Set SAE

Item No.	Description	
81652	5/16"	Long Pattern Combination Wrench
81654	3/8"	Long Pattern Combination Wrench
81655	7/16"	Long Pattern Combination Wrench
81656	1/2"	Long Pattern Combination Wrench
81657	9/16"	Long Pattern Combination Wrench
81658	5/8"	Long Pattern Combination Wrench
81659	11/16"	Long Pattern Combination Wrench
81660	3/4"	Long Pattern Combination Wrench
81661	13/16"	Long Pattern Combination Wrench
81662	7/8"	Long Pattern Combination Wrench
81663	15/16"	Long Pattern Combination Wrench
81664	1"	Long Pattern Combination Wrench
81733	1-1/16"	Long Pattern Combination Wrench
81734	1-1/8"	Long Pattern Combination Wrench
81735	1-1/4"	Long Pattern Combination Wrench



SETS
WRENCHES



81902 - 15 Pc. Long Pattern Combination Non-Ratcheting Wrench Set METRIC

Item No.	Description	
81665	8 mm	Long Pattern Combination Wrench
81666	9 mm	Long Pattern Combination Wrench
81667	10 mm	Long Pattern Combination Wrench
81668	11 mm	Long Pattern Combination Wrench
81669	12 mm	Long Pattern Combination Wrench
81670	13 mm	Long Pattern Combination Wrench
81671	14 mm	Long Pattern Combination Wrench
81672	15 mm	Long Pattern Combination Wrench
81673	16 mm	Long Pattern Combination Wrench
81674	17 mm	Long Pattern Combination Wrench
81675	18 mm	Long Pattern Combination Wrench
81676	19 mm	Long Pattern Combination Wrench
81677	20 mm	Long Pattern Combination Wrench
81678	21 mm	Long Pattern Combination Wrench
81679	22 mm	Long Pattern Combination Wrench



81916 - 22 Pc. Long Pattern Combination Non-Ratcheting Wrench Set METRIC

Item No.	Description	
81670	13 mm	Long Pattern Combination Wrench
81671	14 mm	Long Pattern Combination Wrench
81672	15 mm	Long Pattern Combination Wrench
81673	16 mm	Long Pattern Combination Wrench
81674	17 mm	Long Pattern Combination Wrench
81675	18 mm	Long Pattern Combination Wrench
81676	19 mm	Long Pattern Combination Wrench
81677	20 mm	Long Pattern Combination Wrench
81678	21 mm	Long Pattern Combination Wrench
81679	22 mm	Long Pattern Combination Wrench
81741	23 mm	Long Pattern Combination Wrench
81742	24 mm	Long Pattern Combination Wrench
81743	27 mm	Long Pattern Combination Wrench
81744	30 mm	Long Pattern Combination Wrench
81745	32 mm	Long Pattern Combination Wrench

Item No.	Description	
81736	6 mm	Long Pattern Combination Wrench
81737	7 mm	Long Pattern Combination Wrench
81665	8 mm	Long Pattern Combination Wrench
81666	9 mm	Long Pattern Combination Wrench
81667	10 mm	Long Pattern Combination Wrench
81668	11 mm	Long Pattern Combination Wrench
81669	12 mm	Long Pattern Combination Wrench

SETS
WRENCHES

81920 - 18 Pc. Long Pattern Combination Non-Ratcheting Wrench Set METRIC

Item No.	Description	
81737	7 mm	Long Pattern Combination Wrench
81665	8 mm	Long Pattern Combination Wrench
81666	9 mm	Long Pattern Combination Wrench
81667	10 mm	Long Pattern Combination Wrench
81668	11 mm	Long Pattern Combination Wrench
81669	12 mm	Long Pattern Combination Wrench
81670	13 mm	Long Pattern Combination Wrench
81671	14 mm	Long Pattern Combination Wrench
81672	15 mm	Long Pattern Combination Wrench
81673	16 mm	Long Pattern Combination Wrench
81674	17 mm	Long Pattern Combination Wrench
81675	18 mm	Long Pattern Combination Wrench
81676	19 mm	Long Pattern Combination Wrench
81677	20 mm	Long Pattern Combination Wrench



Item No.	Description	
81678	21 mm	Long Pattern Combination Wrench
81679	22 mm	Long Pattern Combination Wrench
81741	23 mm	Long Pattern Combination Wrench
81742	24 mm	Long Pattern Combination Wrench

81921 - 5 Pc. Large Add-On Combination Non-Ratcheting Wrench Set SAE

Item No.	Description	
81733	1-1/6"	Long Pattern Combination Wrench
81734	1-1/8"	Long Pattern Combination Wrench
81735	1-1/4"	Long Pattern Combination Wrench
81749	1-5/16"	Long Pattern Combination Wrench
81750	1-1/2"	Long Pattern Combination Wrench



81922 - 6 Pc. Large Add-On Combination Non-Ratcheting Wrench Set METRIC

Item No.	Description	
81751	25 mm	Long Pattern Combination Wrench
81752	26 mm	Long Pattern Combination Wrench
81743	27 mm	Long Pattern Combination Wrench
81753	28 mm	Long Pattern Combination Wrench
81744	30 mm	Long Pattern Combination Wrench
81745	32 mm	Long Pattern Combination Wrench





Open Stock - Long Pattern Combination Non-Ratcheting Wrenches SAE/METRIC

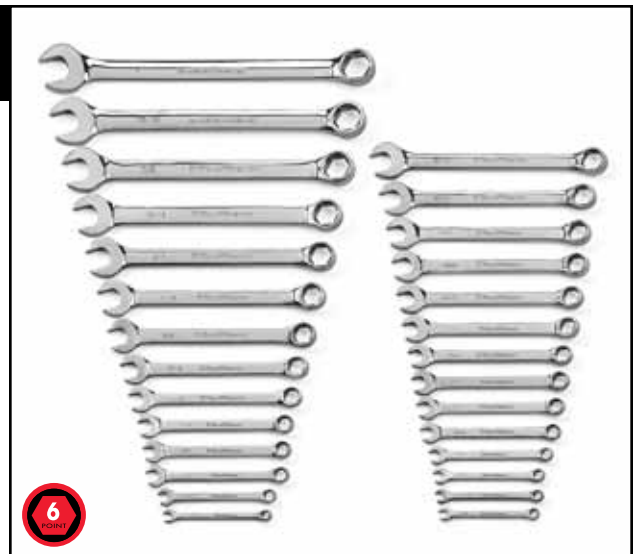
Item No.	Opening Inches/Metric	Overall Length (inch) A	Width Open End (inch) B	Thickness Open End (inch) C	Width Box End (inch) D	Thickness Box End (inch) E	Weight (lbs)
81650	1/4"	5.090	0.520	0.161	0.449	0.197	0.046
81651	9/32"	5.440	0.567	0.169	0.484	0.209	0.062
81652	5/16"	5.800	0.654	0.177	0.535	0.217	0.071
81653	11/32"	6.220	0.728	0.185	0.583	0.244	0.093
81654	3/8"	6.540	0.807	0.213	0.634	0.272	0.121
81655	7/16"	7.290	0.894	0.236	0.685	0.295	0.143
81656	1/2"	8.110	1.051	0.252	0.780	0.335	0.196
81657	9/16"	8.740	1.138	0.276	0.846	0.366	0.273
81658	5/8"	9.520	1.291	0.303	0.941	0.413	0.328
81659	11/16"	10.230	1.382	0.319	1.016	0.433	0.408
81660	3/4"	10.972	1.551	0.362	1.098	0.476	0.525
81661	13/16"	11.827	1.701	0.390	1.201	0.520	0.635
81662	7/8"	12.520	1.783	0.406	1.264	0.539	0.705
81663	15/16"	13.252	1.945	0.429	1.327	0.579	0.899
81664	1"	14.035	2.024	0.445	1.398	0.598	0.977
81733	1-1/16"	14.750	2.220	0.469	1.531	0.650	1.496
81734	1-1/8"	16.000	2.469	0.500	1.685	0.697	1.848
81735	1-1/4"	16.000	2.634	0.524	1.811	0.724	2.134
81749	1-5/16"	18.740	3.102	0.610	2.185	0.925	2.056
81750	1-1/2"	19.720	3.102	0.610	2.185	0.925	2.061
81736	6 mm	5.094	0.520	0.161	0.449	0.197	0.066
81737	7 mm	5.445	0.567	0.169	0.484	0.209	0.077
81665	8 mm	5.799	0.654	0.177	0.535	0.217	0.064
81666	9 mm	6.220	0.728	0.185	0.583	0.244	0.090
81667	10 mm	6.543	0.807	0.213	0.634	0.272	0.123
81668	11 mm	7.291	0.894	0.236	0.685	0.295	0.141
81669	12 mm	7.736	0.969	0.244	0.728	0.327	0.176
81670	13 mm	8.114	1.051	0.252	0.780	0.335	0.185
81671	14 mm	8.740	1.138	0.276	0.846	0.366	0.236
81672	15 mm	9.134	1.213	0.291	0.890	0.390	0.287
81673	16 mm	9.524	1.291	0.303	0.941	0.413	0.340

OPEN STOCK
WRENCHES

Item No.	Opening Inches/Metric	Overall Length (inch) A	Width Open End (inch) B	Thickness Open End (inch) C	Width Box End (inch) D	Thickness Box End (inch) E	Weight (lbs)
81674	17 mm	10.232	1.382	0.319	1.016	0.433	0.414
81675	18 mm	10.602	1.461	0.339	1.047	0.453	0.428
81676	19 mm	10.970	1.55	0.360	1.080	0.472	0.550
81677	20 mm	11.400	1.65	0.381	1.110	0.491	0.620
81678	21 mm	11.830	1.700	0.400	1.140	0.510	0.683
81679	22 mm	12.520	1.783	0.406	1.264	0.539	0.708
81741	23 mm	12.752	1.870	0.417	1.287	0.559	0.902
81742	24 mm	13.252	1.945	0.429	1.327	0.579	1.034
81751	25 mm	14.035	2.024	0.445	1.398	0.598	2.077
81752	26 mm	14.331	2.138	0.449	1.472	0.622	2.891
81743	27 mm	14.752	2.220	0.469	1.531	0.650	1.540
81753	28 mm	16.000	2.469	0.500	1.685	0.697	2.931
81744	30 mm	17.000	2.555	0.524	1.685	0.724	2.046
81745	32 mm	17.362	2.634	0.524	1.811	0.724	2.047

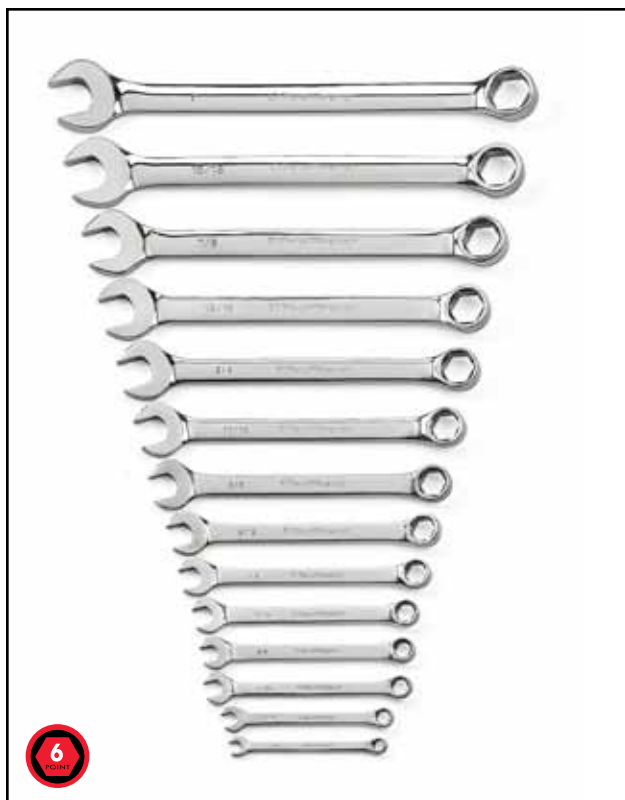
81923 - 28 Pc. Full Polish Combination Non-Ratcheting Wrench Set SAE/METRIC

Item No.	Description
81768	1/4" Full Polish Combination Wrench
81769	15/16" Full Polish Combination Wrench
81770	11/32" Full Polish Combination Wrench
81771	3/8" Full Polish Combination Wrench
81772	7/16" Full Polish Combination Wrench
81773	1/2" Full Polish Combination Wrench
81774	9/16" Full Polish Combination Wrench
81775	5/8" Full Polish Combination Wrench
81776	11/16" Full Polish Combination Wrench
81777	3/4" Full Polish Combination Wrench
81778	13/16" Full Polish Combination Wrench
81779	7/8" Full Polish Combination Wrench
81780	15/16" Full Polish Combination Wrench
81781	1" Full Polish Combination Wrench
81754	6 mm Full Polish Combination Wrench
81755	7 mm Full Polish Combination Wrench
81756	8 mm Full Polish Combination Wrench
81757	9 mm Full Polish Combination Wrench
81758	10 mm Full Polish Combination Wrench
81759	11 mm Full Polish Combination Wrench



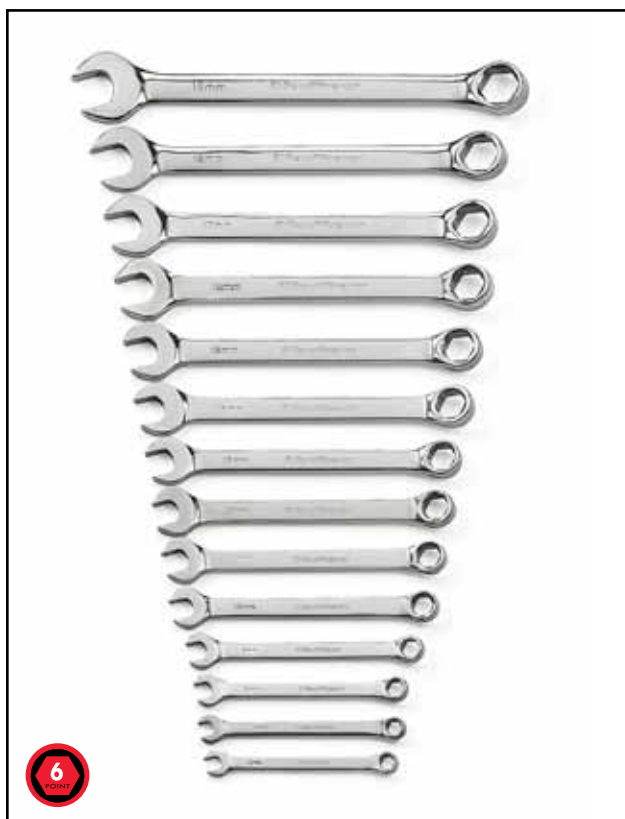
Item No.	Description
81760	12 mm Full Polish Combination Wrench
81761	13 mm Full Polish Combination Wrench
81762	14 mm Full Polish Combination Wrench
81763	15 mm Full Polish Combination Wrench
81764	16 mm Full Polish Combination Wrench
81765	17 mm Full Polish Combination Wrench
81766	18 mm Full Polish Combination Wrench
81767	19 mm Full Polish Combination Wrench

SETS
WRENCHES



**81924 - 14 Pc. Full Polish Combination
Non-Ratcheting Wrench Set SAE**

Item No.	Description	
81768	1/4"	Full Polish Combination Wrench
81769	15/16"	Full Polish Combination Wrench
81770	11/32"	Full Polish Combination Wrench
81771	3/8"	Full Polish Combination Wrench
81772	7/16"	Full Polish Combination Wrench
81773	1/2"	Full Polish Combination Wrench
81774	9/16"	Full Polish Combination Wrench
81775	5/8"	Full Polish Combination Wrench
81776	11/16"	Full Polish Combination Wrench
81777	3/4"	Full Polish Combination Wrench
81778	13/16"	Full Polish Combination Wrench
81779	7/8"	Full Polish Combination Wrench
81780	15/16"	Full Polish Combination Wrench
81781	1"	Full Polish Combination Wrench



**81925 - 14 Pc. Full Polish Combination
Non-Ratcheting Wrench Set METRIC**

Item No.	Description	
81754	6 mm	Full Polish Combination Wrench
81755	7 mm	Full Polish Combination Wrench
81756	8 mm	Full Polish Combination Wrench
81757	9 mm	Full Polish Combination Wrench
81758	10 mm	Full Polish Combination Wrench
81759	11 mm	Full Polish Combination Wrench
81760	12 mm	Full Polish Combination Wrench
81761	13 mm	Full Polish Combination Wrench
81762	14 mm	Full Polish Combination Wrench
81763	15 mm	Full Polish Combination Wrench
81764	16 mm	Full Polish Combination Wrench
81765	17 mm	Full Polish Combination Wrench
81766	18 mm	Full Polish Combination Wrench
81767	19 mm	Full Polish Combination Wrench

SETS
WRENCHES



Open Stock - Full Polish Combination Non-Ratcheting Wrenches SAE/METRIC

Item No.	Opening Inches/Metric	Overall Length (inch) A	Width Open End (inch) B	Thickness Open End (inch) C	Width Box End (inch) D	Thickness Box End (inch) E	Weight (lbs)
81768	1/4"	5.094	0.520	0.161	0.449	0.197	0.046
81769	15/16"	13.252	1.945	0.429	1.327	0.579	0.062
81770	11/32"	6.220	0.728	0.185	0.583	0.244	0.071
81771	3/8"	6.543	0.807	0.213	0.634	0.272	0.093
81772	7/16"	7.291	0.894	0.236	0.685	0.295	0.121
81773	1/2"	8.114	1.051	0.252	0.780	0.335	0.143
81774	9/16"	8.740	1.138	0.276	0.846	0.366	0.196
81775	5/8"	9.524	1.291	0.303	0.941	0.413	0.273
81776	11/16"	10.232	1.382	0.319	1.016	0.433	0.328
81777	3/4"	10.972	1.551	0.362	1.098	0.476	0.408
81778	13/16"	11.827	1.701	0.390	1.201	0.520	0.525
81779	7/8"	12.520	1.783	0.406	1.264	0.539	0.635
81780	15/16"	13.252	1.945	0.429	1.327	0.579	0.705
81781	1"	14.035	2.024	0.445	1.398	0.598	0.899
81754	6 mm	5.094	0.520	0.161	0.449	0.197	2.053
81755	7 mm	5.445	0.567	0.169	0.484	0.209	2.054
81756	8 mm	5.799	0.654	0.177	0.535	0.217	0.064
81757	9 mm	6.220	0.728	0.185	0.583	0.244	0.090
81758	10 mm	6.543	0.807	0.213	0.634	0.272	0.123
81759	11 mm	7.291	0.894	0.236	0.685	0.295	0.141
81760	12 mm	7.736	0.969	0.244	0.728	0.327	0.176
81761	13 mm	8.114	1.051	0.252	0.780	0.335	0.185
81762	14 mm	8.740	1.138	0.276	0.846	0.366	0.236
81763	15 mm	9.134	1.213	0.291	0.890	0.390	0.287
81764	16 mm	9.524	1.291	0.303	0.941	0.413	0.340
81765	17 mm	10.232	1.382	0.319	1.016	0.433	0.414
81766	18 mm	10.602	1.461	0.339	1.047	0.453	0.428
81767	19 mm	10.972	1.551	0.362	1.098	0.476	0.708

OPEN STOCK

WRENCHES



**81903 - 20 Pc. Stubby Combination
Non-Ratcheting Wrench Set SAE/METRIC**

Item No.	Description	
81624	3/8"	Stubby Combination Wrench
81625	7/16"	Stubby Combination Wrench
81626	1/2"	Stubby Combination Wrench
81627	9/16"	Stubby Combination Wrench
81628	5/8"	Stubby Combination Wrench
81629	11/16"	Stubby Combination Wrench

Item No.	Description	
81630	3/4"	Stubby Combination Wrench
81631	13/16"	Stubby Combination Wrench
81632	7/8"	Stubby Combination Wrench
81633	15/16"	Stubby Combination Wrench
81634	10 mm	Stubby Combination Wrench
81635	11 mm	Stubby Combination Wrench
81636	12 mm	Stubby Combination Wrench
81637	13 mm	Stubby Combination Wrench
81638	14 mm	Stubby Combination Wrench
81639	15 mm	Stubby Combination Wrench
81640	16 mm	Stubby Combination Wrench
81641	17 mm	Stubby Combination Wrench
81642	18 mm	Stubby Combination Wrench
81643	19 mm	Stubby Combination Wrench



**81905 - 10 Pc. Stubby Combination
Non-Ratcheting Wrench Set SAE**

Item No.	Description	
81624	3/8"	Stubby Combination Wrench
81625	7/16"	Stubby Combination Wrench
81626	1/2"	Stubby Combination Wrench
81627	9/16"	Stubby Combination Wrench
81628	5/8"	Stubby Combination Wrench
81629	11/16"	Stubby Combination Wrench
81630	3/4"	Stubby Combination Wrench
81631	13/16"	Stubby Combination Wrench
81632	7/8"	Stubby Combination Wrench
81633	15/16"	Stubby Combination Wrench

SETS
WRENCHES

81904 - 10 Pc. Stubby Combination Non-Ratcheting Wrench Set METRIC

Item No.	Description	
81634	10 mm	Stubby Combination Wrench
81635	11 mm	Stubby Combination Wrench
81636	12 mm	Stubby Combination Wrench
81637	13 mm	Stubby Combination Wrench
81638	14 mm	Stubby Combination Wrench
81639	15 mm	Stubby Combination Wrench
81640	16 mm	Stubby Combination Wrench
81641	17 mm	Stubby Combination Wrench
81642	18 mm	Stubby Combination Wrench
81643	19 mm	Stubby Combination Wrench



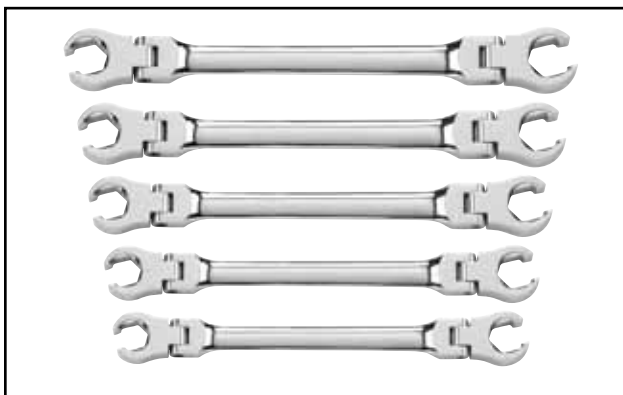
Open Stock - Stubby Combination Non-Ratcheting Wrenches SAE/METRIC

Item No.	Opening Inches/Metric	Overall Length (inch) A	Width Open End (inch) B	Thickness Open End (inch) C	Width Box End (inch) D	Thickness Box End (inch) E	Weight (lbs)
81624	3/8"	3.752	0.807	0.634	0.181	0.232	0.066
81625	7/16"	4.067	0.894	0.685	0.197	0.256	0.073
81626	1/2"	4.268	1.051	0.780	0.220	0.303	0.096
81627	9/16"	4.543	1.138	0.846	0.236	0.327	0.126
81628	5/8"	4.862	1.291	0.941	0.260	0.370	0.172
81629	11/16"	5.020	1.382	1.016	0.276	0.390	0.219
81630	3/4"	5.492	1.551	1.098	0.315	0.429	0.267
81631	13/16"	5.752	1.701	1.201	0.339	0.469	0.324
81632	7/8"	6.252	1.783	1.276	0.354	0.488	0.405
81633	15/16"	6.500	1.945	1.327	0.378	0.528	0.477
81634	10 mm	3.752	0.807	0.634	0.181	0.232	0.066
81635	11 mm	4.067	0.894	0.685	0.197	0.256	0.073
81636	12 mm	4.189	0.969	0.728	0.209	0.276	0.089
81637	13 mm	4.268	1.051	0.780	0.220	0.303	0.093
81638	14 mm	4.543	1.138	0.846	0.236	0.327	0.126
81639	15 mm	4.701	1.213	0.890	0.248	0.346	0.146
81640	16 mm	4.862	1.291	0.941	0.260	0.370	0.174
81641	17 mm	5.020	1.382	1.016	0.276	0.390	0.215
81642	18 mm	5.142	1.461	1.047	0.295	0.409	0.243
81643	19 mm	5.492	1.551	1.098	0.315	0.429	0.272



81914 - 3 Pc. Flex Flare Nut Non-Ratcheting Wrench Set SAE

Item No.	Description	
81694	3/8" x 7/16"	Flex Flare Nut Wrench
81695	1/2" x 9/16"	Flex Flare Nut Wrench
81696	5/8" x 11/16"	Flex Flare Nut Wrench



81910 - 5 Pc. Flex Flare Nut Non-Ratcheting Wrench Set SAE

Item No.	Description	
81693	1/4" x 5/16"	Flex Flare Nut Wrench
81694	3/8" x 7/16"	Flex Flare Nut Wrench
81695	1/2" x 9/16"	Flex Flare Nut Wrench
81696	5/8" x 11/16"	Flex Flare Nut Wrench
81697	3/4" x 7/8"	Flex Flare Nut Wrench



81915 - 3 Pc. Flex Flare Nut Non-Ratcheting Wrench Set METRIC

Item No.	Description	
81686	9 x 11 mm	Flex Flare Nut Wrench
81687	10 x 12 mm	Flex Flare Nut Wrench
81688	13 x 14 mm	Flex Flare Nut Wrench



81911 - 6 Pc. Flex Flare Nut Non-Ratcheting Wrench Set METRIC

Item No.	Description	
81686	9 x 11 mm	Flex Flare Nut Wrench
81687	10 x 12 mm	Flex Flare Nut Wrench
81688	13 x 14 mm	Flex Flare Nut Wrench
81689	15 x 17 mm	Flex Flare Nut Wrench
81690	16 x 18 mm	Flex Flare Nut Wrench
81692	19 x 21 mm	Flex Flare Nut Wrench

81907 - 6 Pc. Flare Nut Non-Ratcheting Wrench Set SAE

Item No.	Description
81680	1/4" x 5/16" Flare Nut Wrench
81681	3/8" x 7/16" Flare Nut Wrench
81682	1/2" x 9/16" Flare Nut Wrench
81683	5/8" x 11/16" Flare Nut Wrench
81684	5/8" x 3/4" Flare Nut Wrench
81685	3/4" x 7/8" Flare Nut Wrench



81906 - 6 Pc. Flare Nut Non-Ratcheting Wrench Set METRIC

Item No.	Description
81644	9 x 11 mm Flare Nut Wrench
81645	10 x 12 mm Flare Nut Wrench
81646	13 x 14 mm Flare Nut Wrench
81647	15 x 17 mm Flare Nut Wrench
81648	16 x 18 mm Flare Nut Wrench
81649	19 x 21 mm Flare Nut Wrench



Open Stock - Flare Nut Non-Ratcheting Wrenches SAE/METRIC

Item No.	Opening Inches/Metric	Overall Length (inch) A	Width Open End (inch) B	Thickness Open End (inch) C	Width Open End (inch) D	Thickness Open End (inch) E	Weight (lbs)
81680	1/4" x 5/16"	5.118	0.630	0.681	0.236	0.268	0.077
81681	3/8" x 7/16"	5.984	0.764	0.870	0.323	0.350	0.198
81682	1/2" x 9/16"	7.035	0.980	1.028	0.386	0.409	0.287
81683	5/8" x 11/16"	7.614	1.083	1.197	0.441	0.476	0.359
81684	5/8" x 3/4"	8.287	1.142	1.260	0.457	0.496	0.428
81685	3/4" x 7/8"	8.858	1.323	1.461	0.516	0.539	0.582
81644	9 x 11 mm	5.984	0.764	0.870	0.323	0.350	0.150
81645	10 x 12 mm	6.535	0.827	0.925	0.339	0.370	0.201
81646	13 x 14 mm	7.035	0.980	1.028	0.386	0.409	0.256
81647	15 x 17 mm	7.614	1.083	1.197	0.441	0.476	0.355
81648	16 x 18 mm	8.287	1.142	1.260	0.457	0.496	0.425
81649	19 x 21 mm	8.858	1.323	1.461	0.516	0.539	0.584



Open Stock - Flex Flare Nut Non-Ratcheting Wrenches SAE/METRIC

Item No.	Opening Inches/Metric	Overall Length (inch) A	Width Open End (inch) B	Thickness Open End (inch) C	Width Open End (inch) D	Thickness Open End (inch) E	Weight (lbs)
81693	1/4" x 5/16"	5.709	0.630	0.720	0.256	0.256	0.077
81694	3/8" x 7/16"	7.130	0.772	0.811	0.394	0.394	0.198
81695	1/2" x 9/16"	8.429	0.890	0.953	0.417	0.453	0.287
81696	5/8" x 11/16"	9.303	1.122	1.181	0.453	0.512	0.359
81697	3/4" x 7/8"	11.146	1.252	1.370	0.559	0.579	0.582
81686	9 x 11 mm	6.264	0.732	0.811	0.374	0.394	0.150
81687	10 x 12 mm	7.563	0.772	0.850	0.394	0.417	0.201
81688	13 x 14 mm	8.429	0.890	0.953	0.417	0.453	0.256
81689	15 x 17 mm	9.303	1.122	1.181	0.453	0.512	0.355
81690	16 x 18 mm	10.169	1.122	1.252	0.453	0.559	0.425
81692	19 x 21 mm	11.146	1.465	1.370	0.559	0.579	0.584



81908 - 11 Pc. Crowfoot Drive Non-Ratcheting Wrench Set SAE

Item No.	Description
81603	3/8" Crowfoot Drive Wrench
81604	7/16" Crowfoot Drive Wrench
81605	1/2" Crowfoot Drive Wrench
81606	9/16" Crowfoot Drive Wrench
81607	5/8" Crowfoot Drive Wrench
81608	11/16" Crowfoot Drive Wrench
81609	3/4" Crowfoot Drive Wrench
81610	13/16" Crowfoot Drive Wrench
81611	7/8" Crowfoot Drive Wrench

81612	15/16"	Crowfoot Drive Wrench
81613	1"	Crowfoot Drive Wrench

OPEN STOCK
WRENCHES

81909 - 10 Pc. Crowfoot Drive Non-Ratcheting Wrench Set METRIC

Item No.	Description	
81614	10 mm	Crowfoot Drive Wrench
81615	11 mm	Crowfoot Drive Wrench
81616	12 mm	Crowfoot Drive Wrench
81617	13 mm	Crowfoot Drive Wrench
81618	14 mm	Crowfoot Drive Wrench
81619	15 mm	Crowfoot Drive Wrench
81620	16 mm	Crowfoot Drive Wrench
81621	17 mm	Crowfoot Drive Wrench



81622	18 mm	Crowfoot Drive Wrench
81623	19 mm	Crowfoot Drive Wrench



Open Stock - Crowfoot Non-Ratcheting Wrenches SAE/METRIC

Item No.	Opening Inches/Metric	Overall Length (inch) A	Width Open End (inch) B	Thickness Open End (inch) C	Width Open End (inch) D	Thickness Open End (inch) E	Weight (lbs)
81603	3/8"	1.299	0.866	0.709	0.118	0.236	0.044
81604	7/16"	1.378	0.945	0.709	0.118	0.236	0.044
81605	1/2"	1.417	1.024	0.709	0.157	0.236	0.044
81606	9/16"	1.535	1.142	0.709	0.157	0.236	0.088
81607	5/8"	1.614	1.260	0.709	0.236	0.236	0.088
81608	11/16"	1.772	1.378	0.709	0.236	0.236	0.088
81609	3/4"	1.890	1.575	0.866	0.236	0.394	0.132
81610	13/16"	2.047	1.732	1.023	0.276	0.394	0.176
81611	7/8"	2.204	1.819	1.023	0.315	0.394	0.220
81612	15/16"	2.361	2.046	1.180	0.354	0.394	0.264
81613	1"	2.518	2.203	1.337	0.393	0.394	0.290
81614	10 mm	1.300	0.906	0.709	0.118	0.236	0.770
81615	11 mm	1.380	0.906	0.709	0.118	0.236	0.770
81616	12 mm	1.378	0.906	0.709	0.118	0.236	0.044
81617	13 mm	1.417	1.024	0.709	0.118	0.236	0.044
81618	14 mm	1.570	1.100	0.709	0.118	0.236	0.090
81619	15 mm	1.654	1.260	0.709	0.236	0.394	0.088
81620	16 mm	1.654	1.260	0.709	0.236	0.394	0.088
81621	17 mm	1.772	1.378	0.709	0.276	0.394	0.088
81622	18 mm	1.772	1.378	0.709	0.236	0.394	0.132
81623	19 mm	1.969	1.575	0.748	0.236	0.394	0.132



81926 - 5 Pc. 30 Degree Deep Offset Box Non-Ratcheting Wrench Set SAE

Item No.	Description
81787	3/8 X 1" 30 Degree Deep Offset Box Wrench
81788	1/2" x 9/16" 30 Degree Deep Offset Box Wrench
81789	11/16 X 3/4" 30 Degree Deep Offset Box Wrench
81790	13/16 X 7/8" 30 Degree Deep Offset Box Wrench
81791	15/16 X 1" 30 Degree Deep Offset Box Wrench



81927 - 5 Pc. 30 Degree Deep Offset Box Non-Ratcheting Wrench Set METRIC

Item No.	Description
81782	8 x 10 mm 30 Degree Deep Offset Box Wrench
81783	10 x 12 mm 30 Degree Deep Offset Box Wrench
81784	11 X 13 mm 30 Degree Deep Offset Box Wrench
81785	12 x 14 mm 30 Degree Deep Offset Box Wrench
81786	17 x 19 mm 30 Degree Deep Offset Box Wrench



Open Stock - 30 Degree Deep Offset Box Non-Ratcheting Wrenches SAE

Item No.	Opening Inches/Metric	Overall Length (inch) A	Width Open End (inch) B	Width Open End (inch) D	Weight (lbs)
81787	3/8" x 1"	7.677	0.640	0.724	0.185
81788	1/2" x 9/16"	8.661	0.778	0.856	0.449
81789	11/16" x 3/4"	9.843	1.047	1.093	1.100
81790	13/16" x 7/8"	11.417	1.211	1.309	0.189
81791	15/16" x 1"	14.173	1.343	1.467	0.491
81782	8 x 10 mm	7.283	0.561	0.640	0.185
81783	10 x 12 mm	7.677	0.640	0.724	0.449
81784	11 x 13 mm	8.071	0.724	0.817	1.100
81785	12 x 14 mm	8.661	0.778	0.856	0.189
81786	17 x 19 mm	9.843	1.047	1.093	0.491

81929 - 7 Pc. Full Polish Open End Non-Ratcheting Wrench Set SAE

Item No.	Description
81798	1/4 X 5/16" Full Polish Open End Wrench
81799	3/8" x 7/16" Full Polish Open End Wrench
81801	1/2 X 9/16" Full Polish Open End Wrench
81802	5/8 X 11/16" Full Polish Open End Wrench
81803	13/16 X 3/4" Full Polish Open End Wrench
81804	15/16" x 1" Full Polish Open End Wrench
81805	1-1/8 X 1-1/4" Full Polish Open End Wrench



81928 - 6 Pc. Full Polish Open End Non-Ratcheting Wrench Set METRIC

Item No.	Description
81792	6 x 7 mm Full Polish Open End Wrench
81793	8 x 10 mm Full Polish Open End Wrench
81794	10 x 12 mm Full Polish Open End Wrench
81795	11 x 13 mm Full Polish Open End Wrench
81796	12 x 14 mm Full Polish Open End Wrench
81797	17 x 19 mm Full Polish Open End Wrench



Open Stock - Full Polish Open End Non-Ratcheting Wrenches SAE

Item No.	Opening Inches/Metric	Overall Length (inch) A	Width Open End (inch) B	Thickness Open End (inch) C	Width Open End (inch) D	Thickness Open End (inch) E	Weight (lbs)
81798	1/4" x 5/16"	4.882	0.494	0.130	0.658	0.146	0.185
81799	3/8" x 7/16"	5.902	0.822	0.173	0.905	0.189	0.449
81801	1/2" x 9/16"	6.925	1.069	0.213	1.152	0.228	1.010
81802	5/8" x 11/16"	7.945	1.316	0.252	1.399	0.268	0.189
81803	13/16" x 3/4"	8.965	1.399	0.268	1.563	0.307	0.491
81804	15/16" x 1"	11.008	1.974	0.366	2.057	0.382	0.524
81805	1-1/8" x 1-1/4"	12.205	2.468	0.445	2.632	0.461	0.615
81792	6 x 7 mm	4.862	0.494	0.130	0.658	0.146	0.185
81793	8 x 10 mm	5.882	0.658	0.217	0.822	0.217	0.449
81794	10 x 12 mm	6.390	0.822	0.232	0.988	0.232	1.100
81795	11 x 13 mm	6.858	0.905	0.244	1.069	0.244	0.189
81796	12 x 14 mm	7.327	0.988	0.260	1.152	0.260	0.491
81797	17 x 19 mm	8.917	1.399	0.268	1.563	0.307	0.524



81990 - 3 Pc. Adjustable Cushion Grip Non-Ratcheting Wrench Set

Item No.	Description	
81890	6"	Adjustable Cushion Grip Wrench
81891	8"	Adjustable Cushion Grip Wrench
81892	10"	Adjustable Cushion Grip Wrench



Open Stock - Adjustable Cushion Grip Wrenches

Item No.	Overall Length (inch)	Capacity (inch)	Weight (lbs)
81890	7.000"	0.750	0.304
81891	9.000"	0.938	0.622
81892	11.000"	1.125	1.016
81893	13.000"	1.312	1.600



81992 - 3 Pc. Adjustable Non-Ratcheting Wrench Set

Item No.	Description	
81881	6"	Adjustable Wrench
81882	8"	Adjustable Wrench
81883	10"	Adjustable Wrench



81991 - 3 Pc. Large Adjustable Non-Ratcheting Wrench Set

Item No.	Description	
81884	12"	Large Adjustable Wrench
81885	15"	Large Adjustable Wrench
81886	18"	Large Adjustable Wrench

SETS
WRENCHES

Open Stock Chrome Adjustable Wrenches

Item No.	Overall Length (inch)	Capacity (inch)	Weight (lbs)
81880	6.2"	0.750	0.100
81881	6.200"	0.750	0.599
81882	8.200"	0.938	0.599
81883	10.100"	1.125	1.000
81884	12.100"	1.312	1.400
81885	15.000"	1.500	2.800
81886	18.100"	1.750	2.800
81887	24.100"	2.000	4.400



81993 - 3 Pc. Black Adjustable Non-Ratcheting Wrench Set

Item No.	Description
81874	12" Black Adjustable Wrench
81875	15" Black Adjustable Wrench
81876	18" Black Adjustable Wrench



Open Stock - Black Adjustable Wrenches

Item No.	Overall Length (inch)	Capacity (inch)	Weight (lbs)
81870	4.600	0.650	0.100
81871	6.200	0.750	0.599
81872	8.200	0.938	0.600
81873	10.100	1.125	1.000
81874	12.100	1.312	1.400
81875	15.000	1.500	2.800
81876	18.100	1.750	2.800
81877	24.100	2.000	4.400



OPEN STOCK

WRENCHES