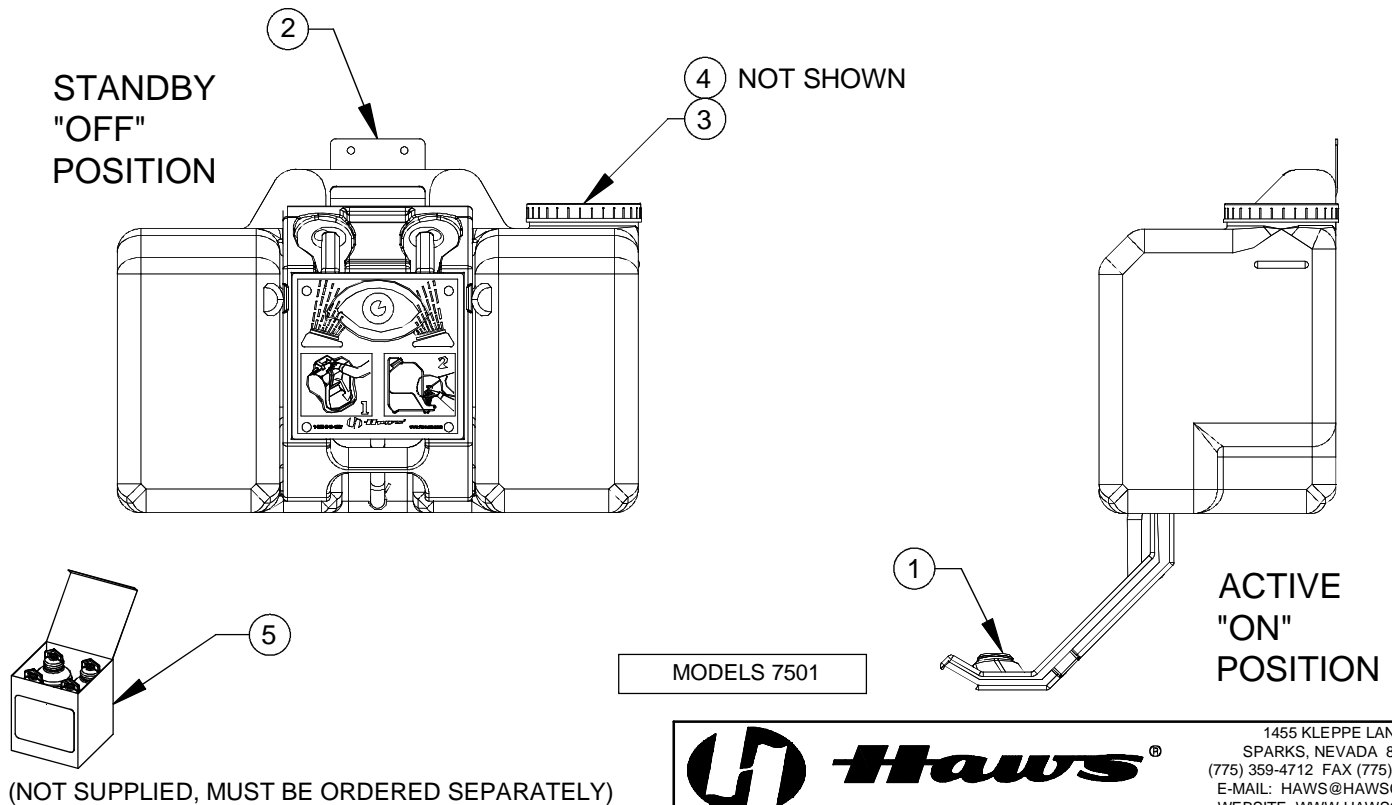
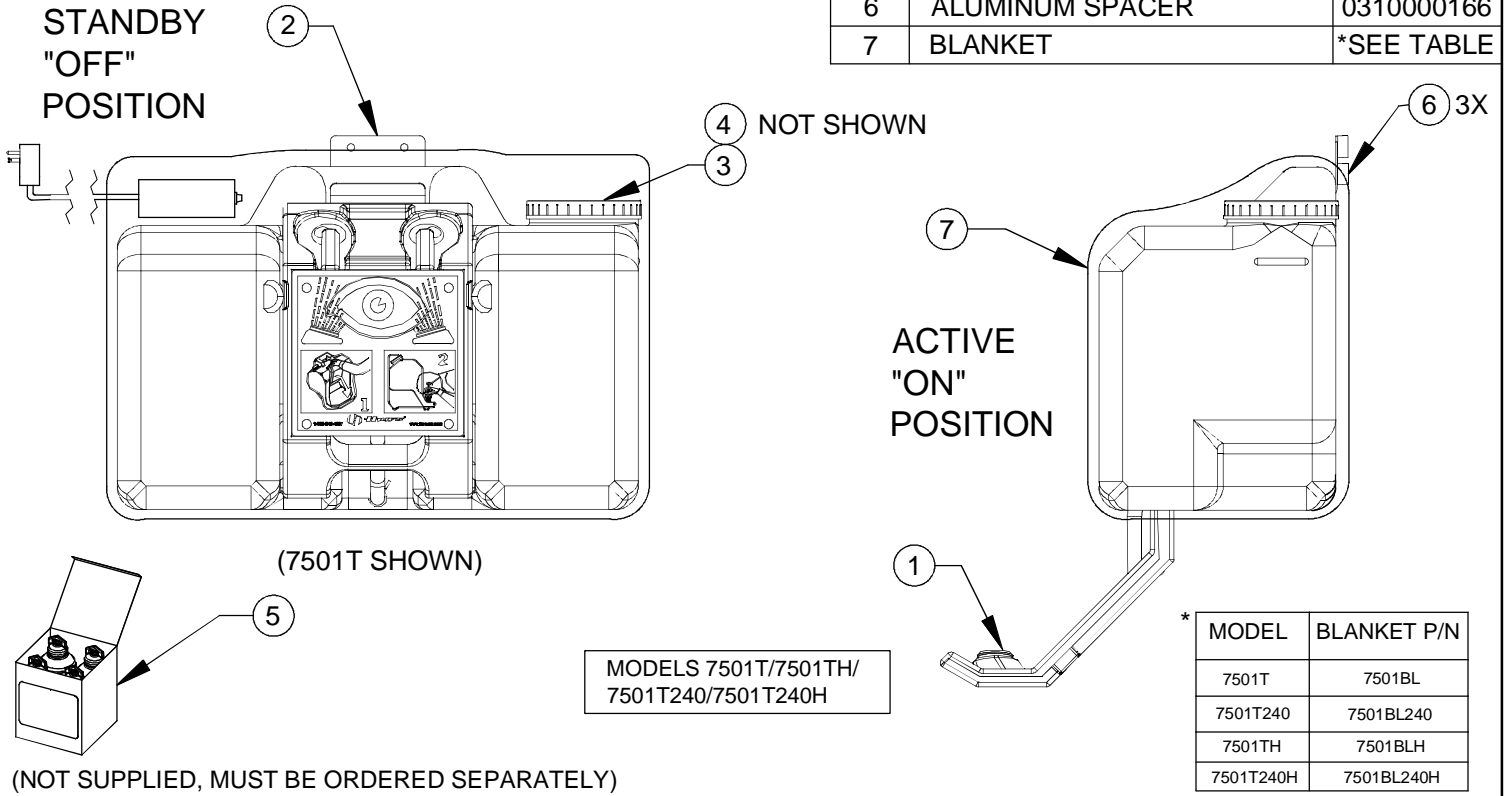



PARTS BREAKDOWN

ITEM	DESCRIPTION	PART NO.
1	EYEWASH HEAD ASSY	SP19
2	BRACKET	0001217418
3	CAP	SP131
4	LABEL, CAP, REFILL	0003163925
5	STERILE ANTIMICROBIAL PRESERVATIVE	9082
6	ALUMINUM SPACER	0310000166
7	BLANKET	*SEE TABLE





Haws®

1455 KLEPPE LANE
SPARKS, NEVADA 89431
(775) 359-4712 FAX (775) 359-7424
E-MAIL: HAWS@HAWSCO.COM
WEBSITE: WWW.HAWSCO.COM

ECN NO. 5086	REVISED PER ECN: 5139	BY CC	MODEL(S) 7501/7501T/7501TH/7501T240/7501T240H	PART NUMBER 0002080045
DRAWN RTM	DATE 04/18/04	CHKD VWC	PORTABLE EYEWASH	REVISION 15
APPROVED FV	DATE 09/21/16	SCALE: 1:1	DRAWING TYPE: PARTS BREAKDOWN	SIZE: A SHEET 1 OF 1

WHEN ORDERING PARTS PLEASE SPECIFY MODEL NUMBER.