

WIRING INSTRUCTIONS

TITLE

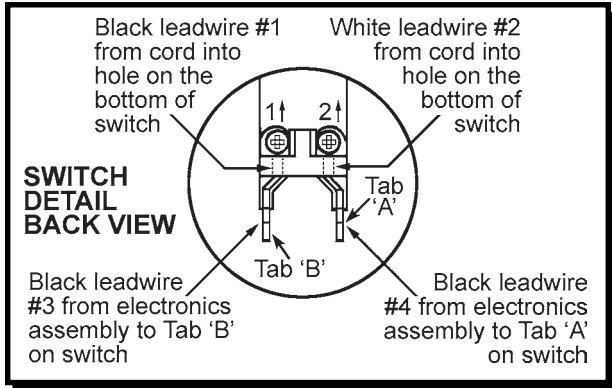
HAMMER

**BULLETIN
58-01-0195**

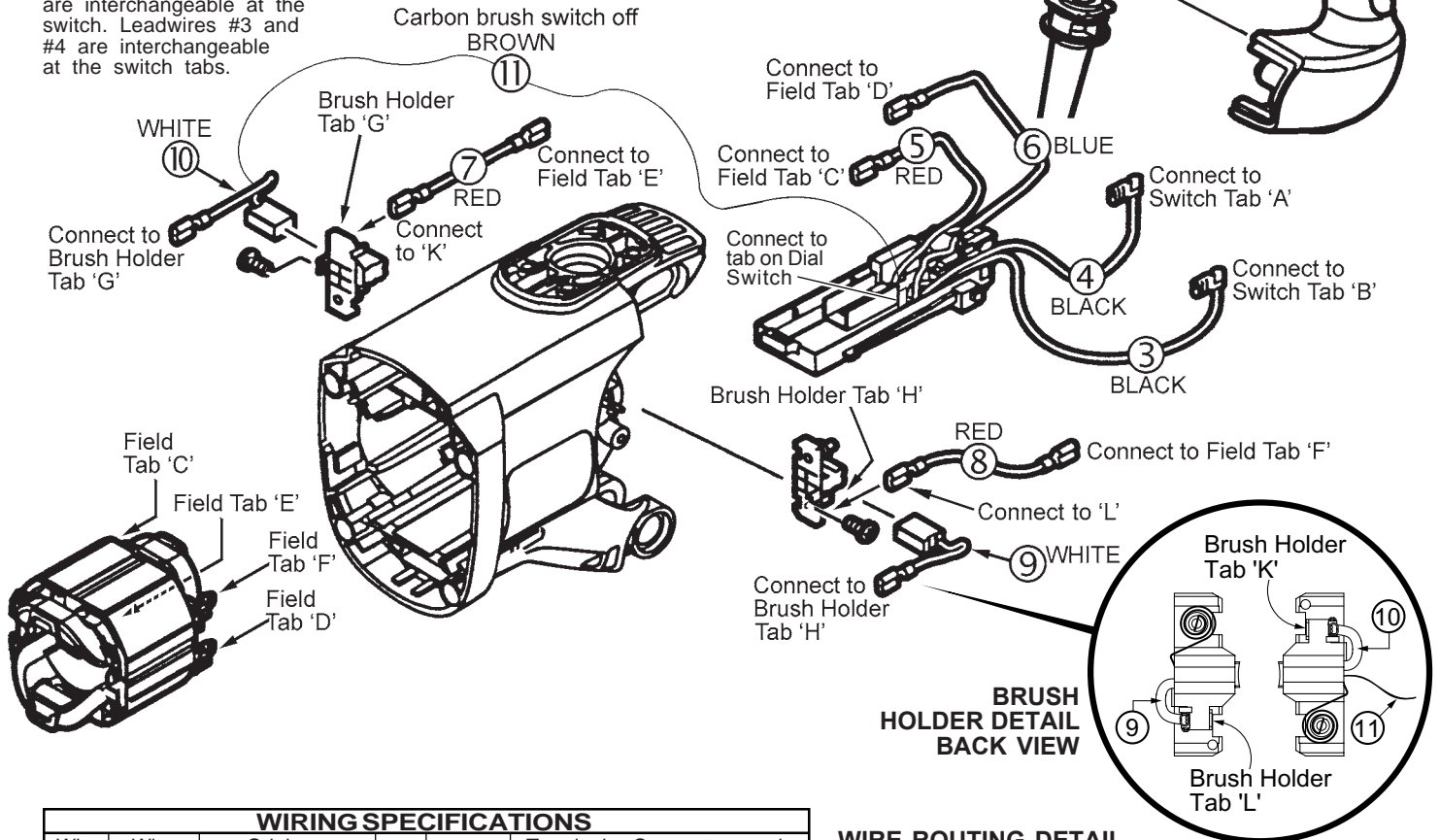
MILWAUKEE ELECTRIC TOOL CORP. 13135 WEST LISBON RD. BROOKFIELD, WIS.

DATE
May 2004

AS AN AID TO REASSEMBLY, TAKE NOTE OF WIRE ROUTING AND POSITION IN WIRE GUIDES AND TRAPS WHILE DISMANTLING TOOL.



NOTE: Leadwires #1 and #2 are interchangeable at the switch. Leadwires #3 and #4 are interchangeable at the switch tabs.



| WIRING SPECIFICATIONS | | | | | |
|-----------------------|------------|--------------------|-----|--------|------------------------------------------------|
| Wire No. | Wire Color | Origin or Part No. | Ga. | Length | Terminals, Connectors and End Wire Preparation |
| 1 | Black | 22-64-0022 | -- | -- | Component of the cord set. |
| 2 | White | 22-64-0022 | -- | -- | Component of the cord set. |
| 3 | Black | 22-75-0080 | -- | -- | Component of the dial switch. |
| 4 | Black | 22-75-0080 | -- | -- | Component of the dial switch. |
| 5 | Red | 22-75-0080 | -- | -- | Component of the dial switch. |
| 6 | Blue | 22-75-0080 | -- | -- | Component of the dial switch. |
| 7 | Red | 23-94-0031 | -- | -- | Leadwire assembly. |
| 8 | Red | 23-94-0031 | -- | -- | Leadwire assembly. |
| 9 | White | 22-16-0026 | -- | -- | Carbon brush set. |
| 10 | White | 22-16-0026 | -- | -- | Carbon brush set. |
| 11 | Brown | 22-16-0026 | -- | -- | Carbon brush set. |

BULK LEAD WIRE - BULLETIN 58-01-0003

WIRE ROUTING DETAIL

