



SERVICE PARTS LIST

BULLETIN NO.

SPECIFY CATALOG NO. AND SERIAL NO. WHEN ORDERING PARTS		REVISED BULLETIN	DATE
1/2" REVERSING DRILL			
CATALOG NO. 1250-1	STARTING SERIAL NO.	WIRING INSTRUCTION 58-01-0773	

EXAMPLE:
Component Parts (Small #)
Are Included When Ordering
The Assembly (Large #).

00 0

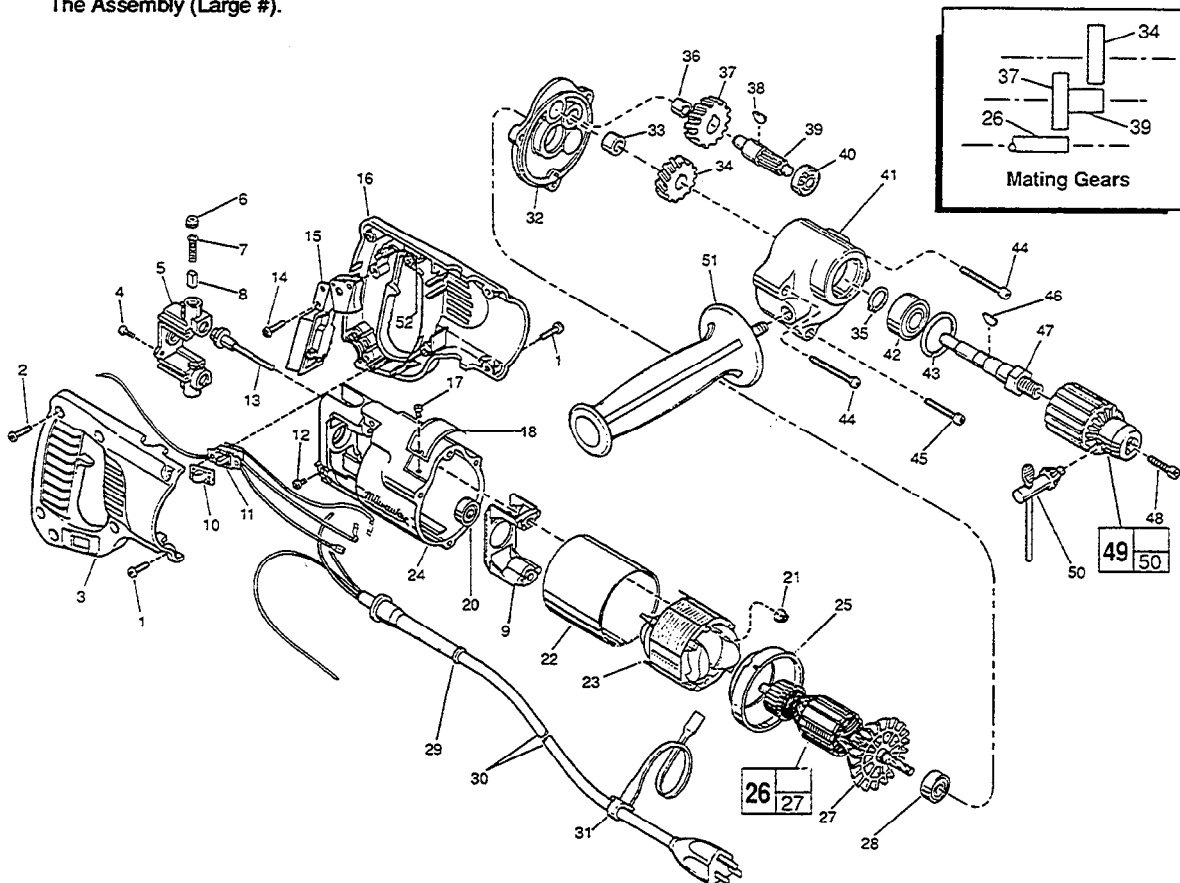


FIG. PART NO.	DESCRIPTION OF PART	NO. REQ.
★ 1 06-82-5316	8-32 x 1/2" Pan Hd. Slit Taptite T-20	(4)
2 06-82-7270	8-16 x 5/8" Pan Hd. Plastite T-20	(5)
3 31-44-1651	Right Handle Half	(1)
★ 4 06-95-0075	6-32 x 3/8" Truss Hd. Taptite T-10	(2)
5 22-22-1380	Brush Holder Assembly	(1)
6 23-44-0190	Brush Retaining Cap	(2)
7 23-52-0150	Brush Spring	(2)
8 22-16-0275	Carbon Brush	(2)
★ 9 31-55-0190	Coil Shield	(1)
10 31-12-0196	Switch Cap	(1)
11 23-66-1868	Switch Assembly	(1)
★ 12 06-95-5150	6-32 x 1/4" Hex Hd. Taptite Sems	(1)
★ 13 06-81-1060	8-32 x 2-1/4" Field Bolt	(2)
14 06-82-7270	8-16 x 5/8" Pan Hd. Plastite T-20	(1)
15 23-66-0167	On-Off Switch	(1)
16 31-44-1656	Left Handle Half	(1)
17 06-72-1720	Nameplate Rivet	(2)
18 12-99-1750	Service Nameplate	(1)
20 02-04-0845	Ball Bearing	(1)
★ 21 06-57-2975	8-32 Flexlock Hex Nut	(2)
★ 22 23-16-0456	Field Insulator	(1)
23 18-31-0100	120 V. Field	(1)
★ 24 28-50-6220	Motor Housing	(1)
25 31-05-0050	Baffle	(1)
26 16-30-0225	120 V. Armature	(1)
27 22-84-0531	Fan Assembly	(1)
28 02-04-0911	Ball Bearing	(1)
29 44-76-0210	Cord Protector	(1)

FIG. PART NO.	DESCRIPTION OF PART	NO. REQ.
30 22-64-3190	Cord Set	(1)
31 48-66-4040	Key Holder	(1)
32 28-28-0601	Diaphragm	(1)
33 02-50-2440	Needle Bearing	(1)
34 32-75-2001	Spindle Gear	(1)
35 34-60-1200	Retaining Ring	(1)
36 02-50-1640	Needle Bearing	(1)
37 32-40-1241	Intermediate Gear	(1)
38 06-42-0800	Woodruff Key	(1)
39 36-66-2701	Intermediate Shaft	(1)
40 02-04-0640	Ball Bearing	(1)
41 28-14-1910	Gear Case	(1)
42 02-04-1536	Ball Bearing	(1)
43 34-60-2500	Retaining Ring	(1)
★ 44 06-82-5502	8-32 x 2-1/4" Pan Hd. Taptite T-20	(2)
★ 45 06-82-5404	8-32 x 1-3/8" Pan Hd. Taptite T-20	(1)
46 06-42-1600	Woodruff Key	(1)
47 38-50-5470	Spindle	(1)
48 06-75-3150	1/4-20 x 1 L.H. Skt. Cap Screw	(1)
49 48-66-1360	1/2" Chuck	(1)
50 48-66-3280	Chuck Key	(1)
51 43-62-0875	Side Handle	(1)
★ 52 14-46-1001	Foam Slug Kit (10 Slugs)	(1)

LUBRICATION:
41 3-1/4 Oz. Type "A" Grease, No. 49-08-0800.

MILWAUKEE ELECTRIC TOOL CORPORATION
13135 W. LISBON RD., BROOKFIELD, WI 53005