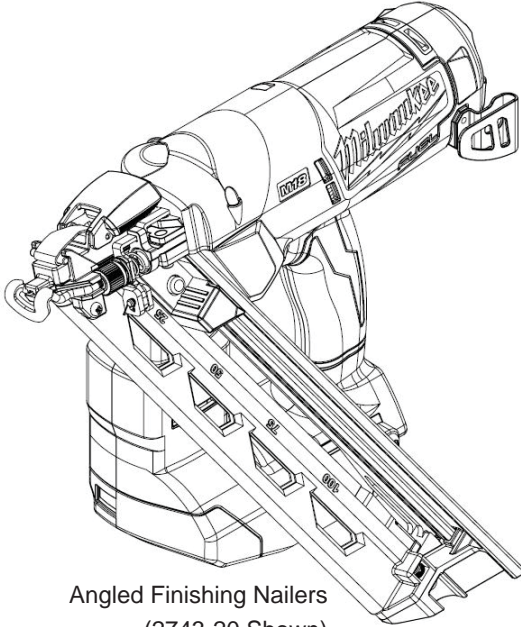




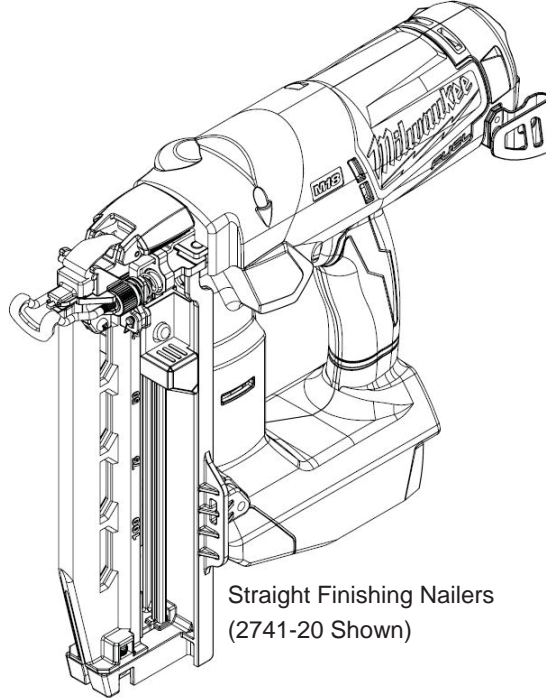
# SERVICE PARTS LIST

BULLETIN NO.  
54-00-FNLR

SPECIFY CATALOG NO. AND SERIAL NO. WHEN ORDERING PARTS	REVISED BULLETIN	DATE
<b>M18™ FUEL™ Finishing Nailers</b>		Apr. 2016
CATALOG NO. 2740-20, 18 Ga. Straight Finishing Nailer 2741-20, 16 Ga. Straight Finishing Nailer 2742-20, 16 Ga. Angled Finishing Nailer 2743-20, 15 Ga. Angled Finishing Nailer	WIRING INSTRUCTION	



Angled Finishing Nailers  
(2743-20 Shown)



Straight Finishing Nailers  
(2741-20 Shown)

## Milwaukee Electric Tool: M18™ FUEL™ Finishing Nailers and applicable Magazine Assemblies

**Due to the combination of the compressed air system and electronics in this tool, service can only be performed at this Milwaukee factory Central Repair Center:**

**MILWAUKEE ELECTRIC TOOL Central Repair  
1013 Sycamore Avenue • Greenwood, MS 38930-7277**

Please send your tool directly to this location for service.

---

If you have questions please contact Milwaukee Product Service at:

**Product Technical Support via phone at: 262.783.8642**

Or

**Via email at: METProductSupport @milwaukeetool.com**

Disassembly is not recommended and could void the warranty.