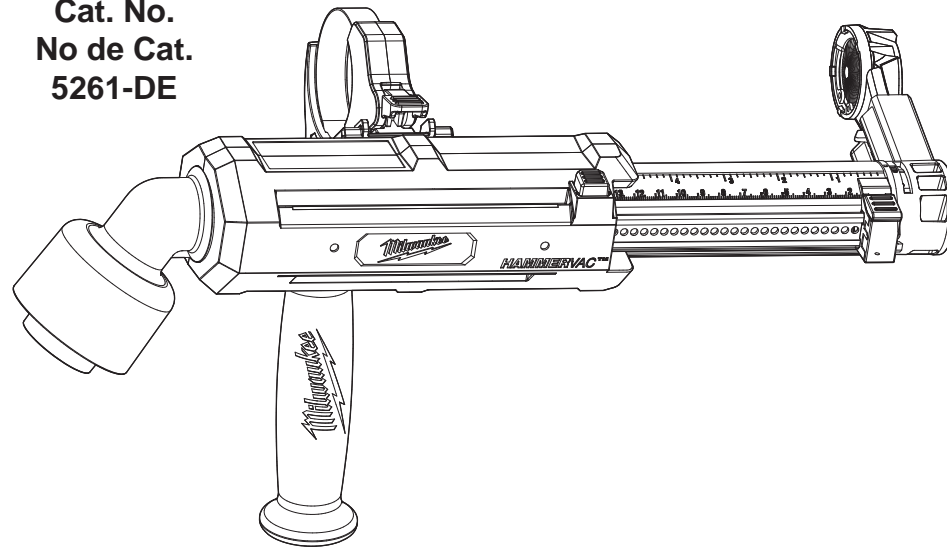




OPERATOR'S MANUAL  
MANUEL de L'UTILISATEUR  
MANUAL del OPERADOR

Cat. No.  
No de Cat.  
5261-DE



VACUUM ASSISTED HAMMERVAC™ DUST EXTRACTOR  
DÉPOUSSIÉREUR ASSISTÉ PAR DÉPRESSION HAMMERVAC™  
EXTRACTOR DE POLVO HAMMERVAC™ ASISTIDO POR VACÍO

*TO REDUCE THE RISK OF INJURY, USER MUST READ AND UNDERSTAND OPERATOR'S MANUAL.*

*AFIN DE RÉDUIRE LE RISQUE DE BLESSURES, L'UTILISATEUR DOIT LIRE ET BIEN COMPRENDRE LE MANUEL DE L'UTILISATEUR.*

*PARA REDUCIR EL RIESGO DE LESIONES, EL USUARIO DEBE LEER Y ENTENDER EL MANUAL DEL OPERADOR.*

# IMPORTANT SAFETY INSTRUCTIONS

**⚠ WARNING** WHEN USING A DUST EXTRACTOR, BASIC PRECAUTIONS SHOULD ALWAYS BE FOLLOWED, INCLUDING THE FOLLOWING: READ ALL INSTRUCTIONS BEFORE USING DUST EXTRACTOR. FOR HOUSEHOLD OR COMMERCIAL USE. BEFORE USING THE DUST EXTRACTOR, READ THIS OPERATOR'S MANUAL, AS WELL AS YOUR TOOL AND VACUUM OPERATOR'S MANUALS, AND ALL LABELS ON THE DUST EXTRACTOR, TOOL, AND VACUUM.

## WORK AREA SAFETY

- **Keep work area clean and well lit.** Cluttered or dark areas invite accidents.
- **Do not use in the presence of explosive dust, liquids or vapors.**
- **Do not use where oxygen or anesthetics are used.**
- **Do not allow to be used as a toy.** Close attention is necessary when used by or near children.
- **Use extra care when using on stairs.**

## ELECTRICAL SAFETY

- **Do not pick up wet material.** Do not use water to settle dust.

## PERSONAL SAFETY

- **STAY ALERT.** Watch what you are doing and use common sense. Do not use dust extractor when you are tired, distracted or under the influence of drugs, alcohol or medication causing diminished control.
- **The operation of a dust extractor can result in foreign objects being blown into eyes,** which can result in eye damage. Always wear safety goggles or glasses with side shields when operating dust extractor.
- **Wear a face or dust mask** when working in dust situations. Dust particles can harm your lungs.
- **Do not overreach. Keep proper footing and balance at all times.** This enables better control of the dust extractor in unexpected situations.
- **Keep hair, loose clothing, fingers, and all parts of body away from openings and moving parts.**
- **Use only as described in this manual.** Use only manufacturer's recommended attachments.

## USE AND CARE

- **Do not use to pick up flammable or combustible liquids** such as gasoline or use in areas where they may be present.
- **Do not pick up anything that is burning or smoking** such as cigarettes, matches, or hot ashes.
- **Do not pick up soot, cement, plaster or drywall dust without filter in place.** These are very fine particles that may affect the performance of the motor or be exhausted back into the air.
- **To reduce the risk of health hazards from vapors or dust, do not vacuum toxic, carcinogenic or other hazardous materials** such as asbestos, arsenic, barium, beryllium, lead, pesticides or other health endangering materials.
- **WARNING:** Some dust created by power sanding, sawing, grinding, drilling, and other construction activities contains chemicals known to cause cancer, birth defects or other reproductive harm. Some examples of these chemicals are:

- lead from lead-based paint
  - crystalline silica from bricks and cement and other masonry products, and
  - arsenic and chromium from chemically-treated lumber.
- Your risk from these exposures varies, depending on how often you do this type of work. To reduce your exposure to these chemicals: work in a well ventilated area, and work with approved safety equipment, such as those dust masks that are specially designed to filter out microscopic particles.
- **Do not put any object into openings.** Do not use with any opening blocked; keep free of dust, lint, hair, and anything else that may reduce air flow.
  - **Maintain dust extractor. Check for misalignment or binding of moving parts, breakage of parts and any other condition that may affect the dust extractor's operation. If damaged, have the dust extractor repaired before use.** Many accidents are caused by poorly maintained tools.
  - **Maintain labels and nameplates.** These carry important information. If unreadable or missing, contact a *MILWAUKEE* service facility for a free replacement.

## SERVICE

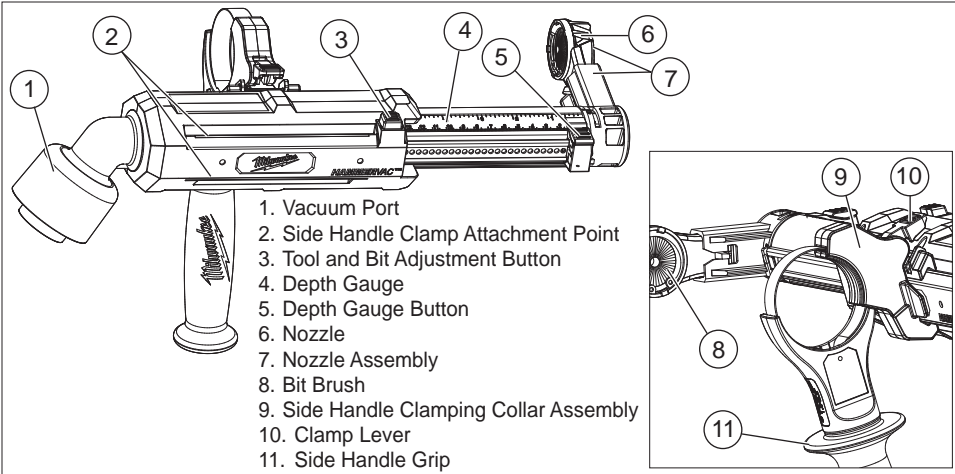
- **Have your power tool serviced by a qualified repair person using only identical replacement parts.** This will ensure that the safety of the power tool is maintained.

## SPECIFIC SAFETY RULES

- **Before using the dust extractor, read this operator's manual, your tool and vacuum manuals, and all labels on the dust extractor, tool, and vacuum.**
- **Always use side handle assembly with the correct neck diameter for the rotary hammer/hammer drill.** An ill-fitting side handle will not tighten securely, causing loss of control.
- **Wear ear protectors.** Exposure to noise can cause hearing loss.
- **Always use side handle provided with dust extractor when using with a rotary hammer/hammer drill. When dust extractor is removed from the tool, always use side handle(s) supplied with the tool.** Loss of control can cause personal injury.
- **Hold power tool by insulated gripping surfaces, when performing an operation where the fastener may contact hidden wiring.** Fasteners contacting a "live" wire may make exposed metal parts of the power tool "live" and could give the operator an electric shock.

# READ AND SAVE ALL INSTRUCTIONS FOR FUTURE USE

## FUNCTIONAL DESCRIPTION



1. Vacuum Port
2. Side Handle Clamp Attachment Point
3. Tool and Bit Adjustment Button
4. Depth Gauge
5. Depth Gauge Button
6. Nozzle
7. Nozzle Assembly
8. Bit Brush
9. Side Handle Clamping Collar Assembly
10. Clamp Lever
11. Side Handle Grip

## SPECIFICATIONS

Cat. No.	Vacuum Port Diameter	Max. Bit Diameter	For use with Hammer Collar Sizes Diameter / Circumference
5261-DE	2-1/2" 1-7/8" 1-1/2" 1-1/4"	5/8"	S = Ø 43-46 mm (1.7"-1.8") / 135-144.5 mm (5.3"-5.7") M = Ø 48-55 mm (1.9"-2.2") / 151-173 mm (6"-6.9") L = Ø 56-59 mm (2.2"-2.3") / 176-185 mm (6.9"-7.2")



## ASSEMBLY

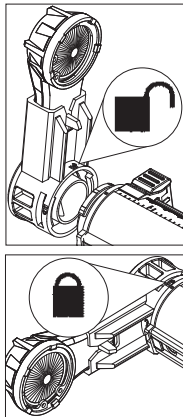
### Connecting the Vacuum Hose

Attach the vacuum hose to the port. Twist to form a tight fit.

### Installing/Removing Nozzle Assembly

To install the nozzle assembly supplied with the tool, or accessory nozzles:

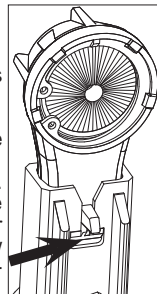
1. With the nozzle assembly pointing straight up, line up the lugs of the nozzle assembly with the lugs on the front of the HAMMERVAC™. The unlock symbol  on the nozzle assembly will line up with the mark on the top of the HAMMERVAC™.
2. Turn the nozzle assembly left or right to lock into place. The lock symbol  on the nozzle assembly will line up with the mark on the top of the HAMMERVAC™.
3. To remove, reverse the procedure.



### Installing/Removing Nozzle

Replace the nozzle:

- After drilling about 1500 holes,
  - When the bit brush shows signs of wear,
  - When suction is reduced,
  - When dust escapes through the bit brush during use
- To replace the nozzle (Cat. No. 49-90-2301), press in the release button and pull out from the lower nozzle assembly. Slide the new nozzle into the lower nozzle assembly until it snaps into place.

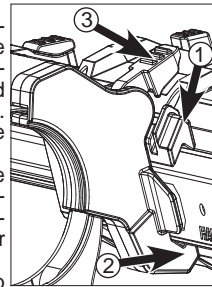


**WARNING** To reduce the risk of injury, always use side handle provided with dust extractor when using with a rotary hammer/hammer drill. When dust extractor is removed from the tool, always use side handle(s) supplied with the tool. Loss of control can cause personal injury.

### Attaching the HAMMERVAC™ to a Rotary Hammer/Hammer Drill

The HAMMERVAC™ is provided with three clamping collar assemblies and one side handle grip. Choose the correct clamping collar assembly for the tool being used (see *Specifications*). The side handle grip should be unscrewed from one assembly to be used on another.

1. Disconnect power from the tool.
2. Remove the tool side handle.
3. Partially screw side handle grip onto clamping collar assembly
4. Slide the HAMMERVAC™ side handle clamping collar assembly over the chuck and onto the neck of the tool. The clamp lever must be facing up (3).
5. Attach the side handle clamping collar assembly onto the HAMMERVAC™, first the upper jaw, then lower jaw.
6. Press down the clamp lever (3) to secure the clamping collar assembly to the HAMMERVAC™.
7. Rotate the HAMMERVAC™ and side handle grip to the desired position, and tighten securely.



### Adjusting the Side Handle Position

1. Loosen the side handle clamping collar assembly by unscrewing the side handle grip until the side handle clamping collar assembly rotates freely.
2. Rotate the side handle grip to the desired position.
3. Tighten the side handle grip securely.

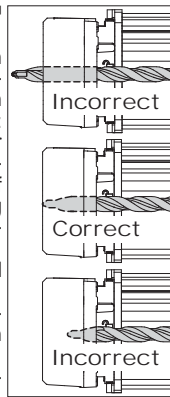
### Installing/Removing the Bit

Slide the bit through the nozzle and then install into the tool according to the tool manufacturer's instructions.

### Fitting the HAMMERVAC™ to the Tool and Bit

For proper suction and depth control, position the nozzle assembly so the bit is flush with the forward face of the nozzle:

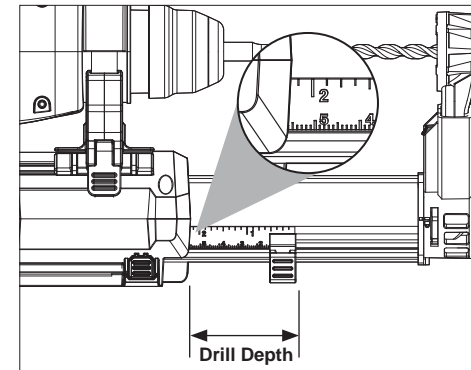
1. Slide the clamping collar forward or backward to accommodate the length of the bit. Press the clamping lever down to tighten securely.
2. Press and hold the tool and bit adjustment button.
3. Push in the nozzle assembly until the bit is flush with the front face of the nozzle.
4. Release the tool and bit adjustment button.



**NOTE:** Fully extend the HAMMERVAC™ before storing to preserve spring life.

### Setting the Drilling Depth

1. Fit the HAMMERVAC™ to the Tool and Bit.
2. Press and hold the depth gauge button and slide the depth gauge to the desired depth. The drilling depth is the last visible measurement shown when viewed from the top of the tool. To ensure the HAMMERVAC™ is properly set to the tool, bit, and desired depth, always drill a test hole.



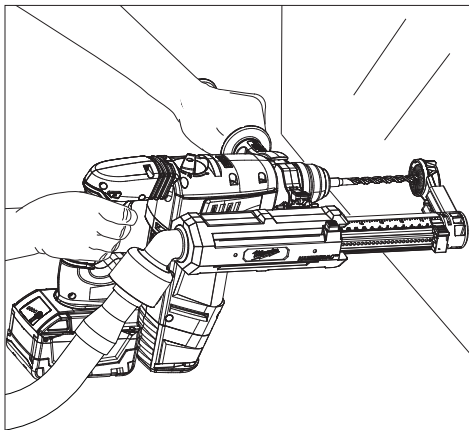
## OPERATION

**WARNING** To reduce the risk of fire and injury, do not use to pick up flammable or combustible materials.

**WARNING** To reduce the risk of injury, wear safety goggles or glasses with side shields and dust mask.

### Proper Operation

1. Install and position the nozzle assembly to the desired side.
2. Attach side handle clamping collar assembly and grip to tool.
3. Fit the HAMMERVAC™ to the Tool and Bit.
4. Set the drill depth.
5. Attach the vacuum hose.
6. Turn on the vacuum.
7. Begin use according to tool manufacturer instructions.
8. Always hold the tool securely using both handles to maintain control.



## ACCESSORIES

**WARNING** Always remove battery pack before changing or removing accessories. Only use accessories specifically recommended for this tool. Others may be hazardous.

For a complete listing of accessories refer to your MILWAUKEE Tool catalog or go online to [www.milwaukeeetool.com](http://www.milwaukeeetool.com). To obtain a catalog, contact your local distributor or a service center listed on the back cover of this operator's manual.

## MAINTENANCE

**WARNING** To reduce the risk of injury, always unplug the charger and remove the battery pack from the charger or tool before performing any maintenance. Never disassemble the tool, battery pack or charger. Contact a MILWAUKEE service facility for ALL repairs.

### Maintaining Tool

Keep your tool, battery pack and charger in good repair by adopting a regular maintenance program. After six months to one year, depending on use, return the tool, battery pack and charger to a MILWAUKEE service facility for:

- Lubrication
- Mechanical inspection and cleaning (gears, spindles, bearings, housing, etc.)
- Electrical inspection (battery pack, charger, motor)
- Testing to assure proper mechanical and electrical operation

If the tool does not start or operate at full power with a fully charged battery pack, clean the contacts on the battery pack. If the tool still does not work properly, return the tool, charger and battery pack, to a MILWAUKEE service facility for repairs.

**WARNING** To reduce the risk of personal injury and damage, never immerse your tool, battery pack or charger in liquid or allow a liquid to flow inside them.

### Cleaning

Clean dust and debris from charger and tool vents. Keep tool handles clean, dry and free of oil or grease. Use only mild soap and a damp cloth to clean the tool, battery pack and charger since certain cleaning agents and solvents are harmful to plastics and other insulated parts. Some of these include gasoline, turpentine, lacquer thinner, paint thinner, chlorinated cleaning solvents, ammonia and household detergents containing ammonia. Never use flammable or combustible solvents around tools.

### Repairs

For repairs, return the tool, battery pack and charger to the nearest service center listed on the back cover of this operator's manual.

## LIMITED WARRANTY - USA AND CANADA

Every MILWAUKEE power tool (including cordless product – tool, battery pack(s) - see separate & distinct CORDLESS BATTERY PACK LIMITED WARRANTY statements & battery charger and Work Lights\*) is warranted to the original purchaser only to be free from defects in material and workmanship. Subject to certain exceptions, MILWAUKEE will repair or replace any part on an electric power tool which, after examination, is determined by MILWAUKEE to be defective in material or workmanship for a period of five (5) years\* after the date of purchase unless otherwise noted. Return of the power tool to a MILWAUKEE factory Service Center location or MILWAUKEE Authorized Service Station, freight prepaid and insured, is required. A copy of the proof of purchase should be included with the return product. This warranty does not apply to damage that MILWAUKEE determines to be from repairs made or attempted by anyone other than MILWAUKEE authorized personnel, misuse, alterations, abuse, normal wear and tear, lack of maintenance, or accidents.

\*The warranty period for, Job Site Radios, M12™ Power Port, M18™ Power Source, and Trade Titan™ Industrial Work Carts is one (1) year from the date of purchase. The warranty period for a LED Work Light and LED Upgrade Bulb is a limited LIFETIME warranty to the original purchaser only, if during normal use the LED bulb fails the Work Light or Upgrade Bulb will be replaced free of charge.

\*This warranty does not cover Air Nailers & Stapler, Airless Paint Sprayer, Cordless Battery Packs, Gasoline Driven Portable Power Generators, Hand Tools, Hoist – Electric, Lever & Hand Chain, M12™ Heated Jackets, Reconditioned product and Test & Measurement products. There are separate and distinct warranties available for these products.

Warranty Registration is not necessary to obtain the applicable warranty on a MILWAUKEE power tool product. The manufacturing date of the product will be used to determine the warranty period if no proof of purchase is provided at the time warranty service is requested.

ACCEPTANCE OF THE EXCLUSIVE REPAIR AND REPLACEMENT REMEDIES DESCRIBED HEREIN IS A CONDITION OF THE CONTRACT FOR THE PURCHASE OF EVERY MILWAUKEE PRODUCT. IF YOU DO NOT AGREE TO THIS CONDITION, YOU SHOULD NOT PURCHASE THE PRODUCT. IN NO EVENT SHALL MILWAUKEE BE LIABLE FOR ANY INCIDENTAL, SPECIAL, CONSEQUENTIAL OR PUNITIVE DAMAGES, OR FOR ANY COSTS, ATTORNEY FEES, EXPENSES, LOSSES OR DELAYS ALLEGED TO BE AS A CONSEQUENCE OF ANY DAMAGE TO, FAILURE OF, OR DEFECT IN ANY PRODUCT INCLUDING, BUT NOT LIMITED TO, ANY CLAIMS FOR LOSS OF PROFITS. SOME STATES DO NOT ALLOW THE EXCLUSION OR LIMITATION OF INCIDENTAL OR CONSEQUENTIAL DAMAGES, SO THE ABOVE LIMITATION OR EXCLUSION MAY NOT APPLY TO YOU. THIS WARRANTY IS EXCLUSIVE AND IN LIEU OF ALL OTHER EXPRESS WARRANTIES, WRITTEN OR ORAL. TO THE EXTENT PERMITTED BY LAW, MILWAUKEE DISCLAIMS ANY IMPLIED WARRANTIES, INCLUDING WITHOUT LIMITATION ANY IMPLIED WARRANTY OF MERCHANTABILITY OR FITNESS FOR A PARTICULAR USE OR PURPOSE; TO THE EXTENT SUCH DISCLAIMER IS NOT PERMITTED BY LAW, SUCH IMPLIED WARRANTIES ARE LIMITED TO THE DURATION OF THE APPLICABLE EXPRESS WARRANTY AS DESCRIBED ABOVE. SOME STATES DO NOT ALLOW LIMITATIONS ON HOW LONG AN IMPLIED WARRANTY LASTS, SO THE ABOVE LIMITATION MAY NOT APPLY TO YOU, THIS WARRANTY GIVES YOU SPECIFIC LEGAL RIGHTS, AND YOU MAY ALSO HAVE OTHER RIGHTS WHICH VARY FROM STATE TO STATE. This warranty applies to product sold in the U.S.A. and Canada only.

Please consult the 'Service Center Search' in the Parts & Service section of MILWAUKEE's website [www.milwaukeeetool.com](http://www.milwaukeeetool.com) or call **1.800.SAWDUST (1.800.729.3878)** to locate your nearest service facility for warranty and non-warranty service on a Milwaukee electric power tool.

## LIMITED WARRANTY - MEXICO, CENTRAL AMERICA AND CARIBBEAN

TECHTRONIC INDUSTRIES' warranty is for 5 year since the original purchase date.

This warranty card covers any defect in material and workmanship on this Power Tool. To make this warranty valid, present this warranty card, sealed/stamped by the distributor or store where you purchased the product, to the Authorized Service Center (ASC). Or, if this card has not been sealed/stamped, present the original proof of purchase to the ASC.

Call toll-free 1 800 832 1949 to find the nearest ASC, for service, parts, accessories or components.

### Procedure to make this warranty valid

Take the product to the ASC, along with the warranty card sealed/stamped by the distributor or store where you purchased the product, and there any faulty piece or component will be replaced without cost for you. We will cover all freight costs relative with this warranty process.

### Exceptions

This warranty is not valid in the following situations:

- a) When the product is used in a different manners from the end-user guide or instruction manual.
- b) When the conditions of use are not normal.
- c) When the product was modified or repaired by people not authorized by TECHTRONIC INDUSTRIES.

Note: If cord set is damaged, it should be replaced by an Authorized Service Center to avoid electric risks.

Model: \_\_\_\_\_

Date of Purchase: \_\_\_\_\_

Distributor or Store Stamp: \_\_\_\_\_

SERVICE AND ATTENTION CENTER  
Av Presidente Mazarik 29 Piso 7, 11570 Chapultepec Morales  
Miguel Hidalgo, Distrito Federal, Mexico  
Ph. 52 55 4160-3547

IMPORTED AND COMMERCIALIZED BY:  
TECHTRONIC INDUSTRIES MEXICO, S.A. DE C.V.  
Av Presidente Mazarik 29 Piso 7, 11570 Chapultepec Morales  
Miguel Hidalgo, Distrito Federal, Mexico

# RÈGLES GÉNÉRALES DE SÉCURITÉ

**AVERTISSEMENT** LORS DE L'UTILISATION D'UN DÉPOUSSIÉREUR, TOUJOURS SUIVRE LES PRÉCAUTIONS ÉLÉMENTAIRES, NOTAMMENT : LIRE TOUTES LES INSTRUCTIONS AVANT D'UTILISER LE DÉPOUSSIÉREUR. POUR UN USAGE DOMESTIQUE OU COMMERCIAL. AVANT D'UTILISER LE DÉPOUSSIÉREUR, LIRE LE PRÉSENT MANUEL D'UTILISATION, LE MANUEL D'UTILISATION DE L'OUTIL ET DE L'ASPIRATEUR, AINSI QUE TOUTES LES ÉTIQUETTES SE TROUVANT SUR LE DÉPOUSSIÉREUR, L'OUTIL ET L'ASPIRATEUR.

- Veuillez conserver votre zone de travail propre et bien éclairée. Les zones encombrées ou sombres sont propices aux accidents.
- Ne pas utiliser en présence de poussières, liquides ou vapeurs explosives.
- Ne pas utiliser là où de l'oxygène ou des anesthésiants sont utilisés.
- Interdire son utilisation comme un jouet. Portez une attention particulière lorsque l'appareil est utilisé par ou proche d'enfants.
- Manipuler l'appareil avec soin lorsque vous l'utilisez dans les escaliers.

## SÉCURITÉ ÉLECTRIQUE

- N'aspirez pas de matériaux humides. N'utilisez pas d'eau pour contenir la poussière.

## SÉCURITÉ INDIVIDUELLE

- **RESTEZ ATTENTIF** Restez attentif à ce que vous faites et utilisez votre bon sens. N'utilisez pas le dépeussièreur si vous êtes fatigué, distrait ou sous l'influence de drogues, d'alcool ou d'une médication pouvant entraîner une diminution de votre contrôle.
- **Lors du fonctionnement d'un dépeussièreur des objets étrangers peuvent être projetés dans les yeux**, pouvant entraîner des blessures à l'oeil. Toujours porter des lunettes de sécurité ou des lunettes avec des protections latérales lorsque vous utilisez le dépeussièreur.
- **Portez un masque facial ou à poussière** lorsque vous travaillez avec de la poussière. Les particules de poussière peuvent blesser vos poumons.
- **Ne pas trop tendre les bras lors de son utilisation. Toujours se tenir bien campé et en équilibre.** Ceci vous permettra d'avoir un meilleur contrôle du dépeussièreur lors de situations inattendues.
- **Gardez les cheveux, les vêtements amples et les doigts loin des ouvertures et des parties en mouvement.**
- **Utiliser seulement tel que décrit dans le présent manuel.** N'utiliser que les attaches recommandées par le fabricant.

## UTILISATION ET ENTRETIEN DE L'OUTIL ÉLECTRIQUE

- **Ne pas utiliser pour ramasser des liquides inflammables** tels que l'essence ou ne pas utiliser dans des endroits où de tels produits peuvent être présents.
- **Ne pas ramasser de matériaux en feu ou fumants** comme des cigarettes, des allumettes ou des cendres chaudes.

- Ne pas ramasser de suie, de ciment, de plâtre ou de poussière de cloison sèche sans filtre en place. Il s'agit de particules très fines pouvant affecter la performance du moteur ou être rejetées dans l'air.
- Afin de réduire les risques pour la santé issus de vapeurs ou de poussières, ne pas aspirer de matières toxiques, cancérigènes ou autres matières dangereuses comme l'amiante, l'arsenic, le baryum, le béryllium, le plomb, les pesticides ou autres matières pouvant mettre en danger la santé.
- **ATTENTION:** Certaines poussières issues de ponces électriques, de scieuses, d'affûteuses, de perceuses, et de toute autre activité de construction contiennent des produits chimiques connus pour provoquer le cancer, des malformations congénitales ou tout autre trouble de la reproduction. Quelques exemples de ces produits chimiques sont:
  - le plomb dans la peinture au plomb;
  - la silice cristalline des briques, du ciment et des autres matériaux de construction, et;
  - l'arsenic et le chrome du bois traité chimiquement.
 Votre risque d'exposition à ces produits varie en fonction du nombre de fois où vous exécutez ce type de travail. Pour réduire votre exposition à ces produits chimiques: veuillez travailler dans une zone bien ventilée et travailler avec de l'équipement de sécurité agréé, tels que les masques à poussière spécialement conçus pour filtrer les particules microscopiques.
- **Ne pas insérer d'objet dans les ouvertures.** Ne pas utiliser lorsqu'une des ouvertures est obstruée: les garder libre de toute poussière, peluches, cheveux et tout autre matière pouvant réduire le flux d'air.
- **Maintenance du dépeussièreur. Vérifier le désalignement ou le blocage des pièces mobiles, le bris de pièces ou de toute autre condition pouvant affecter le fonctionnement du dépeussièreur. Si endommagé, veuillez faire réparer le dépeussièreur avant de l'utiliser.** Beaucoup d'accidents se produisent suite à une mauvaise maintenance des outils.
- **Conservez en place les étiquettes et les plaques.** Ces dernières comportent des informations importantes. Si elles sont illisibles ou manquantes, veuillez contacter un centre de service MILWAUKEE pour leur remplacement.

## ENTRETIEN

- Assurez-vous que votre outil électrique soit réparé par une personne qualifiée utilisant des pièces de rechange identiques. Ceci vous garantira que la sécurité de l'appareil est conservée.

## REGLAS ESPECIFICAS DE SEGURIDAD

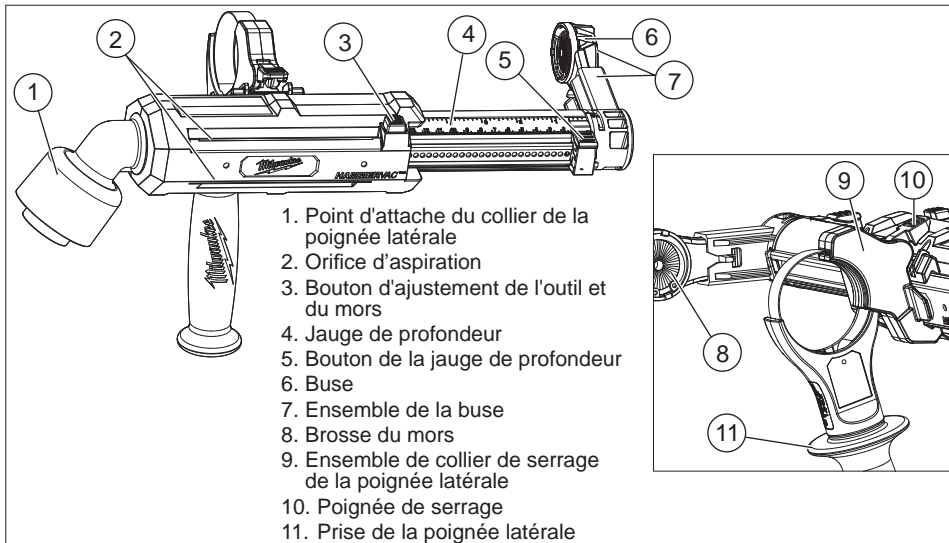
- Avant d'utiliser le dépeussièreur, lire le présent manuel d'utilisation, le manuel d'utilisation de l'outil et de l'aspirateur, ainsi que toutes les étiquettes se trouvant sur le dépeussièreur, l'outil et l'aspirateur.
- Toujours utiliser la poignée latérale avec le collet adéquat pour la perceuse rotative/à percussion. Une poignée non-conforme ne serrera pas de façon sécuritaire, et peut causer une perte de contrôle.
- Porter des protections auditives. L'exposition au bruit peut provoquer une perte auditive.
- Toujours utiliser les poignées latérales fournies avec l'extracteur d'air lorsque vous l'utilisez avec une foreuse rotative/à percussion. Lorsque l'extracteur d'air est retiré de l'outil, toujours utiliser les poignées latérales

fournies avec l'outil. Une perte de contrôle peut provoquer des blessures.

- Tenir l'outil d'alimentation sur des surfaces adhérentes isolées, lorsque vous effectuez une opération où la fixation peut être en contact avec des câbles électriques cachés. Les fixations entrant en contact avec un câble "sous tension" peuvent rendre les parties en métal du bloc d'alimentation "sous tension" et provoquer un choc électrique chez l'opérateur.

# LIRE TOUTES LES INSTRUCTIONS ET LES CONSERVER À DES FINS DE RÉFÉRENCE ULTÉRIEURE

## DESCRIPTION FONCTIONNELLE



1. Point d'attache du collier de la poignée latérale
2. Orifice d'aspiration
3. Bouton d'ajustement de l'outil et du mors
4. Jauge de profondeur
5. Bouton de la jauge de profondeur
6. Buse
7. Ensemble de la buse
8. Brosse du mors
9. Ensemble de collier de serrage de la poignée latérale
10. Poignée de serrage
11. Prise de la poignée latérale

## SPÉCIFICATIONS

No de cat.	Diamètre de l'orifice d'aspiration	Diamètre maximal de mèche	Pour une utilisation avec tailles de collier de la foreuse Diamètre / Circonférence
5261-DE	63.5 mm (2-1/2") 47.6 mm (1-7/8") 38.1 mm (1-1/2") 31.8 mm (1-1/4")	16 mm (5/8")	S = Ø 43-46 mm (1.7"-1.8") / 135-144.5 mm (5.3"-5.7") M = Ø 48-55 mm (1.9"-2.2") / 151-173 mm (6"-6.9") L = Ø 56-59 mm (2.2"-2.3") / 176-185 mm (6.9"-7.2")



## MONTAGE DE L'OUTIL

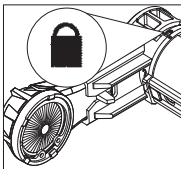
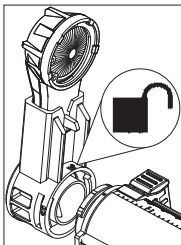
### Branchement du tuyau d'aspirateur

Brancher le tuyau de l'aspirateur sur le port. Tourner pour serrer.

### Installer/retirer l'assemblage de la buse

Pour installer l'assemblage de la buse fourni avec l'outil, ou des buses accessoires:

1. Pointez la buse vers le haut, alignez les tenons de la buse avec les tenons à l'avant du HAMMERVAC™. Le symbole  de déverrouillage sur la buse s'alignera avec la marque au sommet du HAMMERVAC™.
2. Tournez la buse vers la gauche ou la droite pour la verrouiller en place. Le symbole  de verrouillage sur la buse s'alignera avec la marque au sommet du HAMMERVAC™.
3. Pour retirer, faire la procédure inverse.

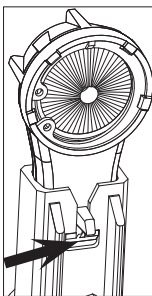


### Installer/retirer la buse

Remplacer la buse:

- Après avoir percé environ 1 500 trous;
- Lorsque la brosse de mèche montre des signes d'usure;
- Lorsque la succion est réduite;
- Lorsque la poussière s'échappe pendant l'utilisation.

Pour remplacer la buse (Cat. No. 49-90-2301), appuyez sur le bouton de dégagement et la retirer de la partie inférieure de l'assemblage. Introduisez la nouvelle buse dans la partie inférieure de l'assemblage jusqu'à ce qu'elle s'enclenche dans l'emplacement.

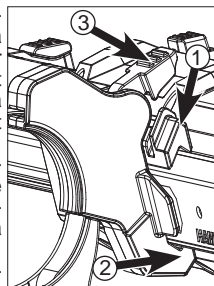


**⚠ WARNING** Pour réduire le risque de blessure, toujours utiliser la poignée latérale fournie avec le dépoussiéreur lorsqu'une perceuse à percussion / un marteau perforateur est utilisé. Une fois le dépoussiéreur retiré de l'outil, toujours utiliser les poignée(s) latérale(s) fournie(s) avec l'outil. La perte de contrôle peut causer des blessures.

### Fixer le HAMMERVAC™ à une perceuse rotative/à percussion

Le HAMMERVAC™ est fourni avec trois colliers de serrage et une poignée latérale. Choisissez la bon collier de serrage pour l'outil (voir les spécifications). La poignée latérale doit être dévissée d'un assemblage pour être utilisée sur un autre

1. Débrancher l'alimentation de l'outil.
2. Retirer la poignée latérale de l'outil.
3. Viser en partie la poignée latérale sur le collier de serrage.
4. Faites glisser le collier de serrage de la poignée latérale par dessus le mandrin et sur le cou de l'outil. La poignée de serrage doit faire face (3).
5. Fixez le collier de serrage de la poignée latérale sur le HAMMERVAC™, d'abord la mâchoire supérieure, puis la mâchoire inférieure.
6. Abaissez la poignée de serrage (3) pour fixer en place le collier de serrage sur le HAMMERVAC™.
7. Tournez le HAMMERVAC™ et la poignée latérale dans la position désirée, et serrez l'ensemble de façon sécuritaire.



### Ajuster la position de la poignée latérale

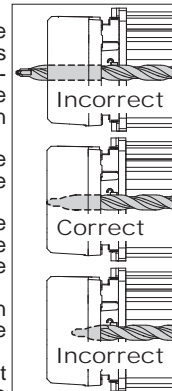
1. Desserrez le collier de serrage de la poignée latérale en dévissant la poignée latérale jusqu'à ce que le collier tourne librement.
2. Tournez la poignée latérale dans la position désirée.
3. Serrez la poignée latérale de façon sécuritaire.

### Installer/retirer la mèche

Glissez la mèche à travers la brosse de mèche puis l'installer sur l'outil en suivant les instructions du fabricant.

**Ajuster le HAMMERVAC™ à l'outil et la mèche**  
Pour une succion adéquate et un meilleur contrôle, placer l'assemblage de la buse de telle sorte que la mèche affleure avec la face avant de la buse :

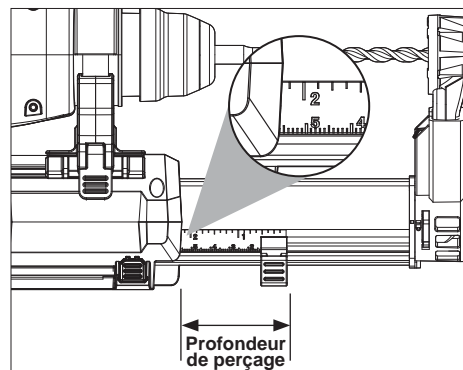
1. Faire glisser le collier de serrage vers l'avant ou vers l'arrière pour ajuster la longueur du foret. Abaisser le levier de serrage pour bien serrer.
2. Appuyer et maintenir le bouton d'ajustement de l'outil et de la mèche.
2. Insérez l'assemblage de la buse jusqu'à ce que la mèche affleure la face avant de la buse.
3. Relâcher le bouton d'ajustement de l'outil et de la mèche.



**NOTE:** Étirer complètement le HAMMERVAC™ avant de l'entreposer afin de préserver la durée de vie du ressort.

### Régler la profondeur de perçage

1. Ajuster le HAMMERVAC™ à l'outil et à la mèche.
2. Appuyez et maintenez le bouton de profondeur de jauge et faites glisser la jauge de profondeur à la profondeur désirée. La profondeur de perçage est la dernière mesure visible sur le dessus de l'outil. Afin de vous assurer que le HAMMERVAC™ est correctement fixé sur l'outil, la mèche, et à la profondeur désirée, toujours effectuer un trou de test.



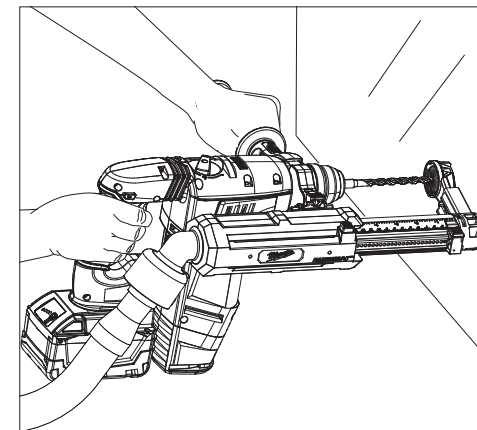
## MANIEMENT

**⚠ AVERTISSEMENT** Afin de réduire le risque d'incendie et de blessure, ne pas utiliser pour ramasser des matières inflammables

**⚠ AVERTISSEMENT** Afin de réduire les risques de blessure, porter des lunettes de sécurité ou des lunettes avec des protections latérales et un masque à poussière.

### Bon fonctionnement

1. Installer et positionner l'assemblage de la buse sur le côté désiré.
2. Attacher la collier de serrage de la poignée latérale sur l'outil.
3. Ajuster le HAMMERVAC™ à l'outil et à la mèche.
4. Régler la profondeur de perçage.
5. Brancher le tuyau de l'aspirateur.
6. Allumer l'aspirateur
7. Commencer l'utilisation selon les instructions du fabricant.
8. Toujours tenir l'outil de façon sécuritaire en utilisant les deux poignées pour conserver un bon contrôle.



## ENTRETIEN

**⚠ AVERTISSEMENT** Pour minimiser les risques de blessures corporelles, débranchez le chargeur et retirez la batterie du chargeur ou de l'outil avant d'y effectuer des travaux d'entretien. Ne démontez jamais l'outil, la batterie ou le chargeur. Pour toute réparation, consultez un centre de service MILWAUKEE accrédité.

### Entretien de l'outil

Gardez l'outil, la batterie et le chargeur en bon état en adoptant un programme d'entretien ponctuel. Après une période de six mois à un an, selon l'utilisation, renvoyez l'outil, la batterie et le chargeur à un centre de service MILWAUKEE accrédité pour les services suivants:

- Lubrification
  - Inspection et nettoyage de la mécanique (engrenages, pivots, coussinets, boîtier etc.)
  - Inspection électrique (batterie, chargeur, moteur)
  - Vérification du fonctionnement électromécanique
- Si l'outil ne démarre pas ou ne fonctionne pas à pleine puissance alors qu'il est branché sur une batterie complètement chargée, nettoyez les points de contact entre la batterie et l'outil. Si l'outil ne fonctionne toujours pas correctement, renvoyez l'outil, le chargeur et la batterie à un centre de service MILWAUKEE accrédité, afin qu'on en effectue la réparation (voir "Réparations").

**⚠ AVERTISSEMENT** Pour minimiser les risques de blessures ou de dommages à l'outil, n'immergez jamais l'outil, la batterie ou le chargeur et ne laissez pas de liquide s'y infiltrer.

### Nettoyage

Débarrassez les événements du chargeur et de l'outil des débris et de la poussière. Gardez les poignées de l'outil propres, à sec et exemptes d'huile ou de graisse. Le nettoyage de l'outil, du chargeur et de la batterie doit se faire avec un linge humide et un savon doux. Certains nettoyants tels l'essence, la térébenthine, les diluants à laque ou à peinture, les solvants chlorés, l'ammoniaque et les détergents d'usage domestique qui en contiennent pourraient détériorer le plastique et l'isolation des pièces. Ne laissez jamais de solvants inflammables ou combustibles auprès de l'outil.

### Réparations

Pour les réparations, retournez outil, batterie et chargeur en entier au centre-service le plus près, selon la liste apparaissant à la dernière page de ce manuel.

## ACCESOIRES

**⚠ AVERTISSEMENT** Retirez toujours la batterie avant de changer ou d'enlever les accessoires. L'utilisation d'autres accessoires que ceux qui sont spécifiquement recommandés pour cet outil peut comporter des risques.

Pour une liste complète des accessoires, prière de se reporter au catalogue MILWAUKEE Electric Tool ou visiter le site internet [www.milwaukeetool.com](http://www.milwaukeetool.com). Pour obtenir un catalogue, il suffit de contacter votre distributeur local ou l'un des centres-service.

## GARANTIE LIMITÉE - AUX ÉTATS-UNIS ET AU CANADA

Chaque outil électrique MILWAUKEE (y compris les produits sans fil [outils, piles, chargeur de piles, lampe de travail]; consulter les énoncés de la GARANTIE LIMITÉE DES BLOCS-PILES SANS FIL) est garanti à l'acheteur d'origine être exempt de vice de matériau et de fabrication. Sous réserve de certaines exceptions, MILWAUKEE réparera ou remplacera toute pièce d'un outil électrique qui, après examen par MILWAUKEE, s'est avérée être affectée d'un vice de matériau ou de fabrication pendant une période de cinq (5) ans\* après la date d'achat, sauf indication contraire. Retourner l'outil électrique, à un centre de réparations en usine MILWAUKEE ou à un poste d'entretien agréé MILWAUKEE, en port prépayé et assuré. Une copie de la preuve d'achat doit être présentée au moment de retourner le produit. Cette garantie ne couvre pas les dommages que MILWAUKEE détermine être causés par des réparations ou des tentatives de réparation par quiconque autre que le personnel agréé par MILWAUKEE, des utilisations incorrectes, des altérations, des utilisations abusives, une usure normale, une carence d'entretien ou des accidents.

\*La période de garantie applicable pour les radios de chantier, le port d'alimentation M12™, Source d'énergie M18™, et les chariots de travail industriels Trade Titan™ est d'une durée d'un (1) an à partir de la date d'achat. La période de la garantie couvrant la lampe de travail à DEL et l'ampoule améliorée à DEL est une garantie À VIE limitée à l'acheteur d'origine seulement; si, lors d'une utilisation normale, l'ampoule à DEL présente une défectuosité, la lampe de travail et l'ampoule seront remplacées sans frais.

\*Cette garantie ne s'applique pas aux cloueuses-agrafeuses pneumatiques, aux pulvérisateurs à peinture sans air, aux blocs piles pour outils sans fil, aux génératrices d'alimentation portatives à essence, aux outils à main, aux monte-charge – électrique, à levier et à chaîne (manuel), aux vestes chauffantes M12™, aux produits réusinés, ni aux produits d'essai et de mesure. Il existe des garanties distinctes pour ces produits.

L'enregistrement de la garantie n'est pas nécessaire pour bénéficier de la garantie en vigueur sur un outil électrique MILWAUKEE. La date de fabrication du produit servira à établir la période de garantie si aucune preuve d'achat n'est fournie lorsqu'une demande de service sous garantie est présentée.

L'ACCEPTATION DES RECOURS EXCLUSIFS DE RÉPARATION ET DE REMPLACEMENT DÉCRITS AUX PRÉSENTES EST UNE CONDITION DU CONTRAT D'ACHAT DE TOUT PRODUIT MILWAUKEE. SI VOUS N'ACCEPTÉZ PAS CETTE CONDITION, VOUS NE DEVEZ PAS ACHETER LE PRODUIT. EN AUCUN CAS MILWAUKEE NE SAURAIT ÊTRE RESPONSABLE DE TOUT DOMMAGE ACCESSOIRE, SPÉCIAL OU INDIRECT, DE DOMMAGES-INTÉRÊTS PUNITIFS OU DE TOUTE DÉPENSE, D'HONORAIRES D'AVOCATS, DE FRAIS, DE PERTE OU DE DÉLAIS ACCESSOIRES À TOUT DOMMAGE, DÉFAILLANCE OU DÉFAUT DE TOUT PRODUIT, Y COMPRIS NOTAMMENT LES PERTES DE PROFIT. CERTAINS ÉTATS ET PROVINCES NE PERMETTANT PAS L'EXCLUSION OU LA LIMITATION DES DOMMAGES DIRECTS OU INDIRECTS, LES RESTRICTIONS CIDESSUS PEUVENT NE PAS ÊTRE APPLICABLES. CETTE GARANTIE EST EXCLUSIVE ET REMPLACE TOUTE AUTRE GARANTIE EXPRESSE, QU'ELLE SOIT ORALE OU ÉCRITE. DANS LA MESURE PERMISE PAR LA LOI, MILWAUKEE RENONCE À TOUTE GARANTIE IMPLICITE, Y COMPRIS, SANS S'Y LIMITER, TOUTE GARANTIE IMPLICITE DE QUALITÉ MARCHANDE OU D'ADAPTATION À UNE UTILISATION OU À UNE FIN PARTICULIÈRE. DANS LA MESURE OÙ UNE TELLE STIPULATION D'EXONÉRATION N'EST PAS PERMISE PAR LA LOI, LA DURÉE DE CES GARANTIES IMPLICITES EST LIMITÉE À LA PÉRIODE APPLICABLE DE LA GARANTIE EXPRESSE, TEL QUE DÉCRIT PRÉCÉDEMMENT. CERTAINS ÉTATS ET PROVINCES NE PERMETTANT PAS DE LIMITATION DE DURÉE DES GARANTIES IMPLICITES, LES RESTRICTIONS CIDESSUS PEUVENT NE PAS ÊTRE APPLICABLES. LA PRÉSENTE CONFÈRE À L'UTILISATEUR DES DROITS LÉGAUX PARTICULIERS; IL BÉNÉFICIE ÉGALEMENT D'AUTRES DROITS QUI VARIENT D'UN ÉTAT À L'AUTRE.

Cette garantie s'applique aux produits vendus aux États-Unis et au Canada uniquement.

Veillez consulter la rubrique Centre SAV MILWAUKEE, dans la section Pièces & Service du site Web de MILWAUKEE, à l'adresse [www.milwaukeetool.com](http://www.milwaukeetool.com), ou composer le **1-800-SAWDUST (1-800-729-3878)** afin de trouver le centre de réparations en usine MILWAUKEE le plus près.

## GARANTIE LIMITÉE – MEXIQUE, AMÉRIQUE CENTRALE ET CARAÏBES

TECHTRONIC INDUSTRIES' garantit le produit pendant cinq ans à partir de la date d'achat d'origine. Le présent bon de garantie couvre tous les vices de matériau et de fabrication que peut afficher cet outil électrique. Pour assurer la validité de la présente garantie, veuillez présenter le bon de commande, estampillé du sceau du distributeur ou du magasin où le produit a été acheté, au centre de réparations agréé. Si le bon de commande n'a pas été estampillé, veuillez fournir la preuve d'achat d'origine au centre de réparations agréé. Pour un entretien, des pièces, des accessoires ou d'autres composants, composer sans frais le 1-800-832-1949 afin d'obtenir les coordonnées du centre de réparations agréé le plus près.

### Procédure pour assurer la validité de la garantie

Présenter le produit au centre de réparations agréé, accompagné du bon de commande estampillé du sceau du distributeur ou du magasin où le produit a été acheté. Toute pièce défectueuse ou tout composant défectueux sera remplacé sans frais. Milwaukeee assume tous les frais de transport liés à ce processus de garantie.

### Exceptions

La garantie ne s'applique pas dans les situations suivantes :

- a) Si le produit a été utilisé pour une fin autre que celle indiquée dans le guide de l'utilisateur final ou le manuel d'instructions.
- b) Si les conditions d'utilisations ne sont pas habituelles.
- c) Si le produit a été modifié ou réparé par une personne non autorisée par TECHTRONIC INDUSTRIES.

Note : Si le cordon électrique est endommagé, il doit être remplacé par un centre de réparations agréé pour éviter les risques d'électrocution.

Modèle : \_\_\_\_\_

Date d'achat : \_\_\_\_\_

Sceau du distributeur ou du magasin : \_\_\_\_\_

CENTRE DE RÉPARATIONS ET DE SERVICE  
Av Presidente Mazarik 29 Piso 7, 11570 Chapultepec Morales  
Miguel Hidalgo, Distrito Federal, Mexico  
Ph. 52 55 4160-3547

IMPORTÉ ET COMMERCIALISÉ PAR :  
TECHTRONIC INDUSTRIES MEXICO, S.A. DE C.V.  
Av Presidente Mazarik 29 Piso 7, 11570 Chapultepec Morales  
Miguel Hidalgo, Distrito Federal, Mexico

# REGLAS DE SEGURIDAD GENERALES

**⚠️ ADVERTENCIA** AL UTILIZAR UN EXTRACTOR DE POLVO, SIEMPRE SE DEBEN SEGUIR LAS PRECAUCIONES BÁSICAS, INCLUYENDO LAS SIGUIENTES: LEA TODAS LAS INSTRUCCIONES ANTES DE USAR EL EXTRACTOR DE POLVO. PARA USO DOMÉSTICO O COMERCIAL. ANTES DE USAR EL EXTRACTOR DE POLVO, LEA ESTE MANUAL DEL OPERADOR, ASÍ COMO LOS MANUALES DEL OPERADOR DE LA HERRAMIENTA Y LA ASPIRADORA, Y TODAS LAS ETIQUETAS DEL EXTRACTOR DE POLVO, LA HERRAMIENTA Y LA ASPIRADORA.

## SEGURIDAD EN EL ÁREA DE TRABAJO

- Mantenga el área de trabajo limpia y bien iluminada. Las áreas desordenadas u oscuras son lugares propensos para los accidentes.
- No lo use en áreas donde hay polvos, líquidos o vapores explosivos.
- No lo use donde se utiliza oxígeno o anestésicos.
- No permita que se use como un juguete. Debe prestar mucha atención cuando usa el extractor en un lugar donde hay niños cerca.
- Ponga especial cuidado si lo usa en las escaleras.

## SEGURIDAD ELÉCTRICA

- No aspire material húmedo. No use agua para aplacar el polvo.

## SEGURIDAD PERSONAL

- **MANTÉNGASE ALERTA.** Fíjese en lo que está haciendo y use el sentido común. No use el extractor de polvo si está cansado, distraído o bajo influencia de drogas, alcohol o medicamentos que puedan causar una disminución del control.
- **Es posible que mientras el extractor de polvo está en funcionamiento despidan elementos extraños que pueden entrar en sus ojos y causar una lesión ocular.** Use siempre gafas o anteojos de seguridad con protección lateral cuando está operando un extractor de polvo.
- **Use mascarilla cuando trabaje en áreas donde hay polvo.** Las partículas de polvo pueden dañar sus pulmones.
- **No se estire demasiado. Manténgase bien parado y en equilibrio todo el tiempo.** Esto le permite controlar mejor el extractor de polvo en situaciones inesperadas.
- **Mantenga el cabello, la ropa suelta, los dedos y todas las partes del cuerpo alejadas de los orificios y piezas en movimiento.**
- **Uselos sólo como se describe en este manual.** Use sólo los accesorios recomendados por el fabricante.

## USO Y CUIDADO

- **No lo use para aspirar líquidos o combustibles inflamables,** como por ejemplo gasolina. No lo use en áreas donde esos líquidos puedan estar presentes.

- No aspire nada que se esté quemando ni echando humo, como cigarrillos, cerillas o cenizas calientes.
- **No aspire polvo de hollín, cemento, yeso ni revoque sin que el filtro esté en su lugar.** Estas son partículas muy finas que pueden afectar el desempeño del motor o bien ser expulsados al aire.
- **Para reducir el riesgo de peligros en la salud por inhalación de vapores o polvo, no aspire materiales tóxicos, cancerígenos ni otras sustancias peligrosas,** como por ejemplo asbestos, arsénico, bario, berilio, plomo, pesticidas u otras sustancias que pongan en riesgo su salud.

• **ADVERTENCIA.** Algunos polvos provenientes del lijado, serruchado, esmerilado, perforado y demás actividades de la construcción contienen productos químicos que producen cáncer, defectos de nacimiento u otra afección en el aparato reproductivo. A continuación se enumeran algunos ejemplos de esos productos químicos:

- plomo existente en una pintura a base de plomo,
- sílice cristalino en ladrillos, cemento y otros productos para albañilería, y
- arsénico y cromo en maderas tratadas químicamente.

El riesgo que puede producirse si la exposición a estos productos varía, y depende de la frecuencia con que realiza este tipo de trabajo. Para reducir su exposición a estos productos químicos, debe hacer lo siguiente: trabajar en un área bien ventilada y usar el equipo de seguridad adecuado, como por ejemplo las mascarillas para el polvo, especialmente diseñadas para filtrar partículas microscópicas.

• **No coloque ningún objeto en los orificios.** No use con algún orificio bloqueado, manténgalo libre de polvo, pelusa, cabellos y de cualquier elemento que pueda disminuir la circulación del aire.

• **Mantenimiento del extractor de polvo.** Controle si hay algún defecto de alineación, traba de piezas móviles o cualquier otra condición que pueda afectar la operación de extracción de polvo. Si hay alguna avería, haga reparar el extractor antes de usarlo. Muchos accidentes se producen por herramientas en mal estado de conservación.

• **Mantenga las etiquetas y placas de identificación.** Son portadoras de información importante. Si son ilegibles o se han extraviado, comuníquese con una instalación de mantenimiento de MILWAUKEE y solicite el reemplazo gratis.

## MANTENIMIENTO

• Haga el mantenimiento de su herramienta eléctrica con una persona calificada que utiliza sólo repuestos originales. Esto asegurará que la herramienta eléctrica continúe siendo segura.

## REGLAS ESPECÍFICAS DE SEGURIDAD

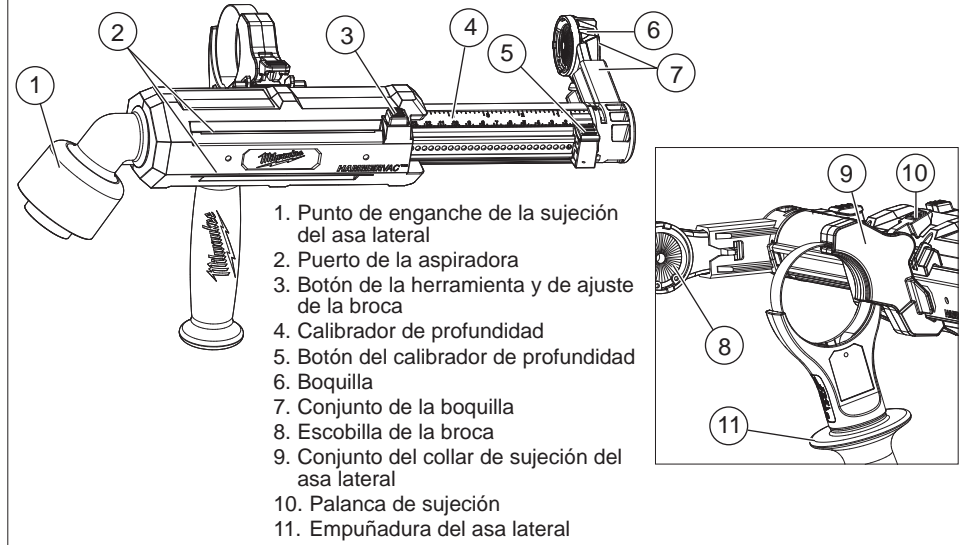
- Antes de usar el extractor de polvo, lea este manual del operador, los manuales de la herramienta y la aspiradora, y todas las etiquetas del extractor de polvo, la herramienta y la aspiradora.
- Siempre use el conjunto del asa lateral con el diámetro de cuello correcto para el rotomartillo y el taladro de percusión. Un asa lateral que no encaja bien no se trabajará de manera segura y producirá una pérdida de control.
- Use protector auditivo. La exposición al ruido puede causar pérdida auditiva.
- Use siempre el asa lateral que se suministra con el extractor de polvo cuando use un rotomartillo o taladro de percusión. Cuando se

extrae el extractor de polvo de la herramienta, siempre use siempre las asas laterales que vienen con la herramienta. La pérdida de control puede ocasionar una lesión personal.

• **Sostenga la herramienta eléctrica por las superficies de la empuñadura con aislamiento cuando realice una tarea en la que el remache pueda hacer contacto con cables ocultos.** Los remaches que hacen contacto con un cable pelado pueden transmitir energía eléctrica a las piezas metálicas de la herramienta y ellas causar un electrochoque al operador.

# LEA Y CONSERVE TODAS LAS INSTRUCCIONES PARA CONSULTARLAS EN EL FUTURO

## DESCRIPCIÓN FUNCIONAL



## ESPECIFICACIONES

Cat. No.	Diámetro del puerto de la aspiradora	Diámetro máximo de la broca	Para usar con medidas de collar de martillo Diámetro / Circunferencia
5261-DE	63,5 mm (2-1/2") 47,6 mm (1-7/8") 38,1 mm (1-1/2") 31,8 mm (1-1/4")	16 mm (5/8")	S = Ø 43-46 mm (1,7"-1,8") / 135-144.5 mm (5,3"-5,7") M = Ø 48-55 mm (1,9"-2,2") / 151-173 mm (6"-6,9") L = Ø 56-59 mm (2,2"-2,3") / 176-185 mm (6,9"-7,2")



## ENSAMBLAJE DE LA HERRAMIENTA

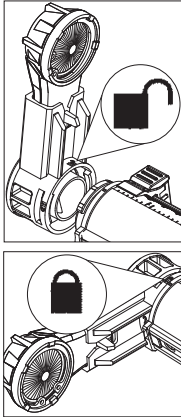
### Conexión de la manguera de vacío

Conecte la manguera de vacío al puerto. Gire para formar un ajuste firme.

### Cómo instalar y extraer el conjunto de la boquilla

Para instalar el conjunto de la boquilla suministrado con la herramienta o las boquillas accesorias, haga lo siguiente:

1. Con el conjunto de la boquilla apuntando directamente hacia arriba, alinee las lengüetas del conjunto de la boquilla con las lengüetas en la parte frontal de la herramienta HAMMERVAC™. El símbolo  de destrabado (candado abierto) en el conjunto de la boquilla se alinearán con la marca que está en la parte superior de la herramienta HAMMERVAC™.
2. Gire el conjunto de la boquilla hacia la izquierda o derecha para trabar en su lugar. El símbolo  de trabado (candado cerrado) en el conjunto de la boquilla se alinearán con la marca que está en la parte superior de la herramienta HAMMERVAC™.
3. Para extraer, hacer el procedimiento contrario.

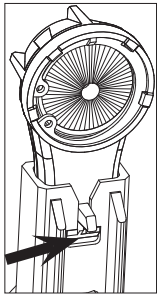


### Cómo instalar y extraer la boquilla

Reemplace la boquilla en los siguientes casos:

- Después de hacer 1500 perforaciones aproximadamente.
- Cuando la escobilla de la broca muestra signos de desgaste.
- Cuando el poder de succión disminuye.
- Cuando el polvo se escapa por la escobilla de la broca durante el uso.

Para reemplazar la boquilla (catálogo n.º 49-90-2301), presione el botón de liberación y tire de la parte inferior del conjunto de la boquilla. Deslice la boquilla nueva en la parte inferior del conjunto de la boquilla hasta que trabaje a presión en su lugar.

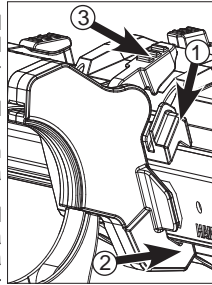


**ADVERTENCIA** Para reducir el riesgo de lesiones, siempre use el asa lateral con el extractor de polvo al utilizarlo con un rotomartillo/taladro percutor. Al retirar el extractor de polvo de la herramienta, siempre use las asas laterales suministradas con la misma. La pérdida de control puede causar lesiones personales.

### Cómo adosar la herramienta HAMMERVAC™ a un rotomartillo/taladro de percusión

La herramienta HAMMERVAC™ viene con tres conjuntos de collares de sujeción y una empuñadura del asa lateral. Selecciónese el conjunto del collar de sujeción que corresponde a la herramienta que está usando (ver Especificaciones). La empuñadura del asa lateral debe desatornillarse de un conjunto para poder usarse en otro.

1. Desconecte la herramienta.
2. Extraiga el asa lateral de la herramienta.
3. Atornille parcialmente la empuñadura del asa lateral en el conjunto del collar de sujeción.
4. Deslice el conjunto del collar de sujeción del asa lateral de la herramienta HAMMERVAC™ en el portabroca y en el cuello de la herramienta. La palanca de sujeción debe mirar hacia arriba (3).
5. Adose el conjunto del collar de sujeción del asa lateral en la herramienta HAMMERVAC™, primero la mordaza superior, luego la inferior.
6. Presione hacia abajo la palanca de sujeción (3) para asegurar el conjunto del collar de sujeción a la herramienta HAMMERVAC™.
7. Gire la herramienta HAMMERVAC™ y la empuñadura del asa lateral a la posición deseada y ajuste de manera segura.



### Cómo ajustar la posición del asa lateral

1. Afloje el conjunto del collar de sujeción del asa lateral desatornillando la empuñadura del asa lateral hasta que el conjunto del collar de sujeción del asa lateral gire libremente.
2. Gire la empuñadura del asa lateral a la posición deseada.
3. Ajuste la empuñadura del asa lateral de manera segura.

### Cómo Instalar y extraer la broca

Deslice la broca por la escobilla de la broca y luego instálela en la herramienta según las instrucciones del fabricante de la herramienta.

### Cómo encajar la herramienta HAMMERVAC™ en la herramienta y la broca

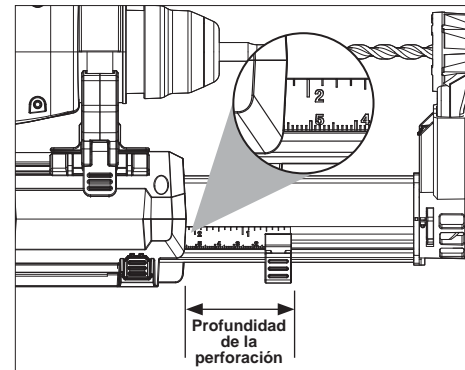
Para una succión adecuada y control de profundidad correcto, coloque el conjunto de la boquilla de manera tal que la broca salga con la cara delantera de la boquilla.

1. Deslice el collar de sujeción hacia adelante o hacia atrás para hacer espacio para la longitud de la broca. Presione la palanca de sujeción hacia abajo para apretar firmemente.
2. Presione y mantenga presionado el botón de ajuste de la herramienta y la broca.
3. Introduzca el conjunto de la boquilla hasta que la broca salga con la parte delantera de la boquilla.
4. Suelte el botón de ajuste de la herramienta y la broca.

**IMPORTANTE.** Extienda completamente la herramienta HAMMERVAC™ antes de almacenar para preservar la vida útil del resorte.

### Cómo configurar la profundidad de perforación

1. Encaje la herramienta HAMMERVAC™ en la herramienta y la broca.
2. Presione y sostenga presionado el botón de calibre de profundidad y deslice el calibre de profundidad a la profundidad deseada. La profundidad de perforación es la última medida que se lee desde la parte superior de la herramienta. Para asegurarse de que la herramienta HAMMERVAC™ está correctamente instalada en la herramienta, en la broca y en la profundidad deseada, siempre haga una perforación de prueba.



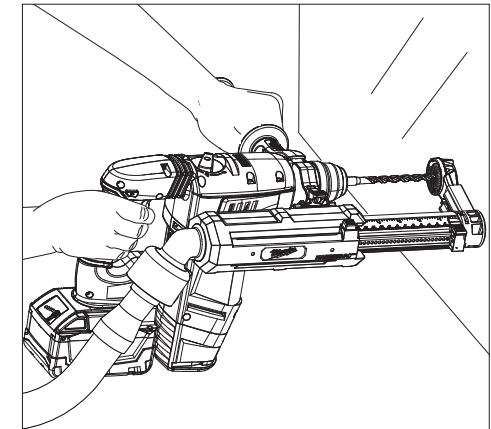
## OPERACION

**ADVERTENCIA** Para reducir el riesgo de incendio y lesiones, no use la herramienta para aspirar materiales inflamables ni combustibles.

**ADVERTENCIA** Para reducir el riesgo de lesiones, use gafas o lentes de seguridad con protección lateral y mascarilla para el polvo. Vacíe completamente el recipiente para el polvo antes de usar.

### Operación correcta

1. Instale el conjunto de la boquilla y colóquelo en el lado deseado.
2. Adose el conjunto del collar de sujeción del asa lateral y la empuñadura a la herramienta.
3. Encaje la herramienta HAMMERVAC™ en la herramienta y la broca.
4. Fije la profundidad de perforación.
5. Conecte la manguera de vacío.
6. Encienda la aspiradora.
7. Comience a usar según las instrucciones del fabricante de la herramienta.
8. Sostenga siempre la herramienta de manera segura y con las dos manos para mantener el control.



## MANTENIMIENTO

**⚠️ ADVERTENCIA** Para reducir el riesgo de una lesión, desconecte siempre la herramienta antes de darle cualquier mantenimiento. Nunca desarme la herramienta ni trate de hacer modificaciones en el sistema eléctrico de la misma. Acuda siempre a un Centro de Servicio MILWAUKEE para TODAS las reparaciones.

### Mantenimiento de la herramienta

Adopte un programa regular de mantenimiento y mantenga sus baterías y cargador en buenas condiciones. Después de 6 meses a un año, dependiendo del uso dado, envíe su herramienta, batería y cargador, al Centro de Servicio MILWAUKEE más cercano para que le hagan:

- Lubricación
- Inspección mecánica y limpieza (engranes, flechas, baleros, carcaza, etc.)
- Inspección eléctrica (batería, cargador, motor)
- Probarla para asegurar una adecuada operación mecánica y eléctrica

Si la herramienta no arranca u opera a toda su potencia con una batería completamente cargada, limpie, con una goma o borrador, los contactos de la batería y de la herramienta. Si aun así la herramienta no trabaja correctamente, regrésela, con el cargador y la batería, a un centro de servicio MILWAUKEE para que sea reparada.

**⚠️ ADVERTENCIA** Para reducir el riesgo de una explosión, no queme nunca una batería, aun si está dañada, "muerta" o completamente descargada.

### Limpieza

Limpie el polvo y suciedad de las ventilas del cargador y la herramienta. Mantenga los mangos y empuñaduras limpios, secos y libres de aceite o grasa. Use solo jabón neutro y un trapo húmedo para limpiar la herramienta, batería y el cargador, ya que algunos substancias y solventes limpiadores son dañinos a los plásticos y partes aislantes. Algunos de estos incluyen: gasolina, turpentina, thinner, lacas, thinner para pinturas, solventes para limpieza con cloro, amoníaco y detergentes caseros que tengan amonía. Nunca usa solventes inflamables o combustibles cerca de una herramienta.

### Reparaciones

Si su herramienta, batería o cargador están dañados, envíela al centro de servicio más cercano de los listados en la cubierta posterior de este manual del operario.

## ACCESORIOS

**⚠️ ADVERTENCIA** Para reducir el riesgo de lesiones, siempre extraiga la batería antes de cambiar o retirar accesorios. Utilice únicamente accesorios específicamente recomendados para esta herramienta. El uso de accesorios no recomendados podría resultar peligroso.

Para una lista completa de accesorios, refiérase a su catálogo MILWAUKEE Electric Tool o visite nuestro sitio en Internet: [www.milwaukeeetool.com](http://www.milwaukeeetool.com). Para obtener un catálogo, contacte su distribuidor local o uno de los centros de servicio.

## GARANTÍA LIMITADA - E.U.A. Y CANADA

Se garantiza al comprador original que ninguna de las herramientas eléctricas MILWAUKEE (incluido el producto inalámbrico, la herramienta y las baterías; consulte las declaraciones distintas y por separado en GARANTÍA LIMITADA DEL PAQUETE DE BATERÍAS INALÁMBRICAS y de las luces de trabajo y del cargador de baterías\*) presentan defectos en material ni en mano de obra. En un plazo de cinco (5) años\* a partir de la fecha de compra y sujeto a ciertas excepciones, MILWAUKEE reparará o reemplazará cualquier parte de una herramienta eléctrica que, luego de ser examinada, MILWAUKEE compruebe que presenta defectos en material o mano de obra, a menos que se indique lo contrario. Se requiere la devolución de la herramienta eléctrica a un centro de mantenimiento de la fábrica MILWAUKEE o a un centro de reparaciones autorizado por MILWAUKEE, con gastos de envío prepagados y asegurados. La devolución del producto debe estar acompañada por un comprobante de compra. Esta garantía no se aplica a los daños que MILWAUKEE establezca que fueron ocasionados por reparaciones o intentos de reparación por parte de personal no autorizado por MILWAUKEE, uso indebido, alteraciones, abuso, desgaste y deterioro normal, falta de mantenimiento o accidentes. \*El período de garantía de las radios para obras, del puerto de alimentación M12™, Fuente de poder M18™, y de las carretillas de trabajo industrial Trade Titan™ es de un (1) año a partir de la fecha de compra. El período de garantía de la lámpara de trabajo con diodo luminiscente y del foco mejorado con diodo luminiscente es una garantía VITALICIA limitada para el comprador original únicamente. Si durante el uso normal el foco de diodo luminiscente no funciona, la lámpara de trabajo o el foco mejorado se reemplazará sin carga.

\*Esta garantía no cubre las clavadoras aéreas, las engrapadoras, el rociador de pintura inalámbrico, el paquete de baterías inalámbrico, los generadores eléctricos portátiles que funcionan con gasolina, herramientas manuales, elevadores (eléctricos, con palanca y con cadenas manuales), camisas de calefacción M12™, productos reacondicionados y productos de prueba y medición. Se encuentran disponibles garantías distintas para estos productos.

No se necesita registro de garantía para obtener la garantía correspondiente de un producto eléctrico MILWAUKEE. La fecha de fabricación del producto se utilizará para determinar el periodo de garantía si no se presenta un comprobante de compra en el momento en que se solicita el servicio de garantía.

LA ACEPTACIÓN DE LOS DERECHOS A REPARACIÓN Y REEMPLAZO EXCLUSIVAMENTE DESCRITOS EN EL PRESENTE DOCUMENTO CONSTITUYE UNA CONDICIÓN DEL CONTRATO POR LA COMPRA DE CADA PRODUCTO MILWAUKEE. SI NO ACEPTA ESTA CONDICIÓN, NO DEBE COMPRAR EL PRODUCTO. MILWAUKEE NO SERÁ EN NINGÚN CASO RESPONSABLE DE DAÑOS INCIDENTALES, ESPECIALES, CONSECUENTES O PUNITIVOS, NI DE COSTOS, HONORARIOS DE ABOGADOS, GASTOS, PERDIDAS O DEMORAS SUPUESTAMENTE CAUSADOS COMO CONSECUENCIA DE CUALQUIER DAÑO, FALLA O DEFECTO EN CUALQUIER PRODUCTO, INCLUIDOS, A MODO DE EJEMPLO, RECLAMOS POR PÉRDIDA DE GANANCIAS. ALGUNOS ESTADOS NO PERMITEN LA EXCLUSIÓN O LA LIMITACIÓN DE DAÑOS INCIDENTALES O CONSECUENTES. POR LO TANTO, LAS LIMITACIONES Y EXCLUSIONES ANTERIORES PUEDEN NO APLICARSE PARA USTED. ESTA GARANTÍA ES EXCLUSIVA Y SUSTITUYE A TODAS LAS OTRAS GARANTÍAS EXPRESAS, ESCRITAS U ORALES. SEGÚN LO PERMITA LA LEY, MILWAUKEE SE EXIME DE TODA GARANTÍA IMPLÍCITA, INCLUIDOS, A MODO DE EJEMPLO, TODA GARANTÍA IMPLÍCITA DE COMERCIABILIDAD O IDONEIDAD PARA UN USO O PROPÓSITO EN PARTICULAR; EN LA MEDIDA EN QUE DICHA RENUNCIA NO ESTÉ PERMITIDA POR LA LEY, DICHAS GARANTÍAS IMPLÍCITAS ESTÁN LIMITADAS A LA DURACIÓN DE LA GARANTÍA EXPRESA APLICABLE SEGÚN SE DESCRIBE ANTERIORMENTE. ALGUNOS ESTADOS NO PERMITEN LIMITACIONES EN LA DURACIÓN DE UNA GARANTÍA IMPLÍCITA. POR LO TANTO, LA LIMITACIÓN ANTERIOR PUEDE NO APLICARSE PARA USTED. ESTA GARANTÍA LE OTORGA DERECHOS LEGALES ESPECÍFICOS Y TAMBIÉN PUEDE TENER OTROS DERECHOS QUE VARIAN DE ESTADO EN ESTADO.

Esta garantía se aplica a los productos vendidos en los EE. UU. y Canadá. Consulte 'Service Center Search' (Búsqueda de centro de servicio' en la sección Parts & Services (Piezas y servicios) del sitio web MILWAUKEE, [www.milwaukeeetool.com](http://www.milwaukeeetool.com) o llame al **1.800.SAWDUST (1.800.729.3878)** para encontrar su Centro de Servicio de la fábrica de MILWAUKEE más cercano.

## PÓLIZA DE GARANTÍA - VALIDA SOLO PARA MÉXICO, AMÉRICA CENTRAL Y EL CARIBE

TECHTRONIC INDUSTRIES., garantiza por 5 años este producto a partir de la fecha original de compra. Esta garantía cubre cualquier defecto que presenten las piezas, componentes y la mano de obra contenidas en este producto Para América Central y el Caribe se debe confirmar en el Centro de Servicio Autorizado el plazo de la garantía. Para hacer efectiva la Garantía deberá presentar al Centro de Servicio Autorizado la Póliza de Garantía sellada por el establecimiento en donde adquirió el producto. Si no la tienen, podrá presentar el comprobante de compra original. Usted puede llamar sin costo al teléfono 01 800 832 1949 o por correo electrónico a la dirección "servicio@ttigroupna.com", para ubicar el Centro de Servicio Autorizado más cercano a su domicilio, en el cual además podrá adquirir partes, componentes, consumibles y accesorios, que usted necesite.

### Procedimiento para hacer válida la garantía

Acuda al Centro de Servicio con el producto y la póliza de garantía sellada por el establecimiento donde realizó la compra. Ahí se reemplazará cualquier pieza o componente defectuoso sin cargo alguno para el usuario final. La empresa se hace responsable de los gastos de transportación razonablemente erogados que se deriven del cumplimiento de la presente garantía.

### Excepciones

La garantía perderá validez en los siguientes casos:

- a) Cuando el producto se hubiese utilizado en condiciones distintas a las normales.
- b) Cuando el producto no hubiese sido operado de acuerdo con el instructivo de uso que le acompaña.
- c) Cuando el producto hubiese sido alterado o reparado por personas no autorizadas por TECHTRONIC INDUSTRIES.

Nota: Si el cordón de alimentación es dañado, este debe ser reemplazado por el fabricante o por un Centro de Servicio Autorizado para evitar riesgo.

Modelo: \_\_\_\_\_  
Fecha de Compra: \_\_\_\_\_  
Sello del Distribuidor: \_\_\_\_\_

CENTRO DE SERVICIO Y ATENCIÓN A CLIENTES  
Av Presidente Mazarik 29 Piso 7, 11570 Chapultepec Morales  
Miguel Hidalgo, Distrito Federal, Mexico  
Tel. 52 55 4160-3547

IMPORTADO Y COMERCIALIZADO POR:  
TECHTRONIC INDUSTRIES MEXICO, S.A. DE C.V.  
Av Presidente Mazarik 29 Piso 7, 11570 Chapultepec Morales  
Miguel Hidalgo, Distrito Federal, Mexico

## UNITED STATES MILWAUKEE Service

MILWAUKEE prides itself in producing a premium quality product that is NOTHING BUT HEAVY DUTY®. Your satisfaction with our products is very important to us! If you encounter any problems with the operation of this tool, or you would like to locate the factory Service/Sales Support Branch or authorized service station nearest you, please call...

Additionally, we have a nationwide network of authorized Distributors ready to assist you with your tool and accessory needs. Check your "Yellow Pages" phone directory under "Tools-Electric" for the names & addresses of those nearest you or see the 'Where To Buy' section of our website.

### 1-800-SAWDUST

(1.800.729.3878)

Monday-Friday  
7:00 AM - 6:30 PM  
Central Time

or visit our website at

[www.milwaukeetool.com](http://www.milwaukeetool.com)

For service information, use the 'Service Center Search' icon found in the 'Parts & Service' section.

#### Contact our Corporate After Sales Service Technical Support about ...

- Technical Questions
- Service/Repair Questions
- Warranty

call: 1-800-SAWDUST  
fax: 1.800.638.9582

email: [metproductsupport@milwaukeetool.com](mailto:metproductsupport@milwaukeetool.com)

#### Register your tool online at [www.milwaukeetool.com](http://www.milwaukeetool.com) and...

- receive important notifications regarding your purchase
- ensure that your tool is protected under the warranty
- become a HEAVY DUTY club member

## CANADA - Service MILWAUKEE

MILWAUKEE prides itself in producing a premium quality product that is NOTHING BUT HEAVY DUTY®. Your satisfaction with our products is very important to us!

If you encounter any problems with the operation of this tool, or you would like to locate the factory Service/Sales Support Branch or authorized service station nearest you, please call...

### 1.800.268.4015

Monday – Friday 7:00 – 4:30 CST  
fax: 866.285.9049

#### Milwaukee Electric Tool (Canada) Ltd

140 Fernstaff Court, Unit 4 18129 111 Avenue NW  
Vaughan, ON L4K 3L8 Edmonton, AB T5S 2P2

Additionally, we have a nationwide network of authorized Distributors ready to assist you with your tool and accessory needs. Call 1.800.268.4015 to find the names and addresses of the closest retailers or consult "Where to buy" on our Web site [www.milwaukeetool.com](http://www.milwaukeetool.com)

MILWAUKEE est fier de proposer un produit de première qualité NOTHING BUT HEAVY DUTY®. Votre satisfaction est ce qui compte le plus!

En cas de problèmes d'utilisation de l'outil ou pour localiser le centre de service/ventes ou le centre d'entretien le plus proche, appelez le...

### 1.800.268.4015

Lundi – Vendredi 7:00 – 4:30 CST  
fax: 866.285.9049

#### Milwaukee Electric Tool (Canada) Ltd

140 Fernstaff Court, Unit 4 18129 111 Avenue NW  
Vaughan, ON L4K 3L8 Edmonton, AB T5S 2P2

Notre réseau national de distributeurs agréés se tient à votre disposition pour fournir l'aide technique, l'outillage et les accessoires nécessaires. Composez le 1.800.268.4015 pour obtenir les noms et adresses des revendeurs les plus proches ou bien consultez la section «Où acheter» sur notre site web à l'adresse [www.milwaukeetool.com](http://www.milwaukeetool.com)

## MEXICO - Soporte de Servicio MILWAUKEE

### CENTRO DE ATENCION A CLIENTES

Av. Presidente Masarik 29 Piso 7  
CP. 11570. Col. Chapultepec Morales  
Del. Miguel Hidalgo, Distrito Federal, México  
01-800-8321949

Lunes a Viernes (9am a 6pm)

O contáctanos en [www.milwaukeetool.com.mx](http://www.milwaukeetool.com.mx)

Para información de Centros de Servicio busca el icono "Servicio al cliente"- "Contáctanos"

### Contacta nuestro servicio técnico para....

- Preguntas Técnicas
- Asesoría, servicio y reparación
- Garantía

Adicionalmente, tenemos una red nacional de distribuidores autorizados listos para ayudarle con su herramienta y sus accesorios. Por favor, llame al 01 800 8321949 para obtener los nombres y direcciones de los más cercanos a usted, o consulte la sección "Dónde Comprar" en nuestro sitio web [www.milwaukeetool.com.mx](http://www.milwaukeetool.com.mx)

## MILWAUKEE ELECTRIC TOOL CORPORATION

13135 West Lisbon Road • Brookfield, Wisconsin, U.S.A. 53005