

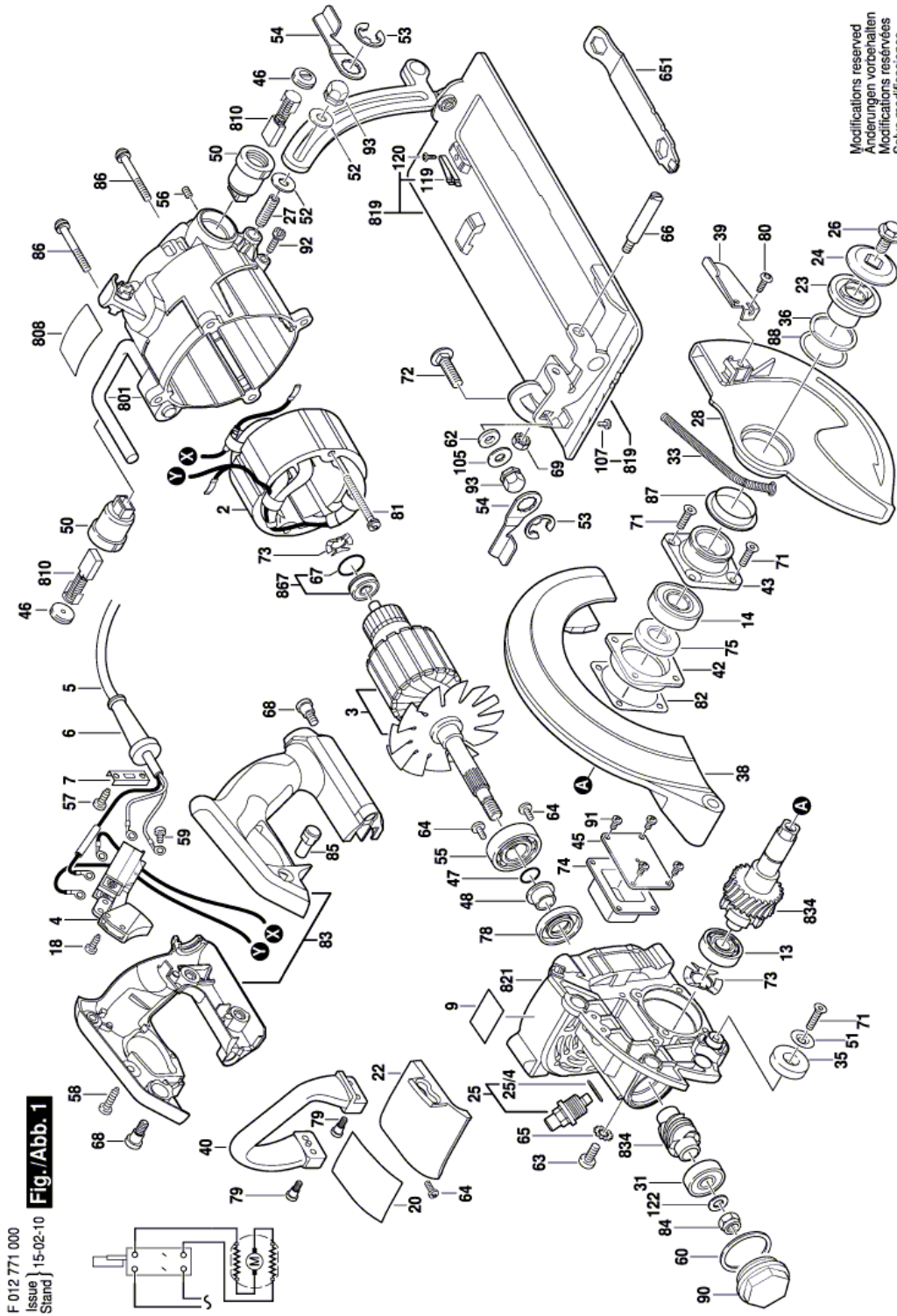
Circular saw - F 012 771 000 - SPT77W

Item	Part Number	Description	Illustration	Price	Quantity	Price Group
	2 1 619 P08 113	Field 120V	1	\$ 30.50	1	35
	3 1 619 P08 013	Armature 120V	1	\$ 49.00	1	39
	4 1 619 X08 653	Switch	1	\$ 11.12	1	25
	5 1 619 X08 527	Power supply cord	1	\$ 13.70	1	27
	6 1 619 X08 308	Grommet	1	\$ 2.94	1	16
	7 1 619 X04 671	Cable Clip	1	\$ 0.68	1	10
	9 1 619 X09 212	Sticker	1	\$ 1.12	1	11
	13 2 610 017 348	groove ball bearing	1	\$ 2.01	1	14
	14 2 610 024 748	Ball Bearing	1	\$ 2.58	1	15
	18 2 610 901 971	Screw	1	\$ 0.68	1	10
	20 1 619 X04 679	Warning Plate	1	\$ 0.68	1	10
	22 1 619 X09 219	Hood	1	\$ 1.12	1	11
	23 1 619 X01 249	Washer	1	\$ 3.73	1	17
	24 1 619 X04 683	Washer	1	\$ 3.73	1	17
	25 1 619 X04 684	Oil Drain Plug	1	\$ 5.72	1	20
	25/4 1 616 B10 364	O-Ring	1	\$ 0.68	1	10
	26 1 619 X03 643	Collar bolt	1	\$ 1.36	1	12
	27 1 619 X01 262	Stud	1	\$ 1.12	1	11
	28 1 619 X04 693	Lower guard	1	\$ 11.12	1	25
	31 2 610 017 875	Ball Bearing	1	\$ 2.94	1	16
	33 1 619 X04 765	Extension Spring	1	\$ 1.12	1	11
	35 2 610 319 494	End stop	1	\$ 1.12	1	11
	36 2 610 341 359	Spring retaining ring	1	\$ 1.12	1	11
	38 1 619 X09 195	Upper guard	1	\$ 12.36	1	26
	39 1 619 X07 688	Lever	1	\$ 0.68	1	10
	40 1 619 X06 247	Handle	1	\$ 3.73	1	17
	42 1 619 X01 253	Bearing Plate	1	\$ 4.31	1	18
	43 1 619 X01 255	Guard Plate	1	\$ 3.73	1	17
	45 1 619 X01 228	Cover	1	\$ 1.12	1	11
	46 1 619 X01 268	Device cap	1	\$ 1.12	2	11
	47 1 619 X04 712	O-Ring	1	\$ 0.68	1	10
	48 1 619 X04 780	Collar	1	\$ 6.57	1	21

Item	Part Number	Description	Illustration	Price	Quantity	Price Group
50	1 619 X04 708	Brush Holder	1	\$ 2.58	2	15
51	2 610 004 341	Washer	1	\$ 0.68	1	10
52	2 610 912 616	Washer	1	\$ 0.68	2	10
53	2 610 968 747	Spring retaining ring	1	\$ 1.12	2	11
54	1 619 X04 719	Locking Lever	1	\$ 1.12	2	11
55	1 619 X04 676	Ball Bearing	1	\$ 2.58	1	15
56	2 610 027 039	Set screw	1	\$ 0.68	2	10
57	2 610 315 299	Screw	1	\$ 0.68	2	10
58	2 610 315 380	Screw	1	\$ 0.68	4	10
59	1 619 X03 644	Screw	1	\$ 0.68	1	10
60	1 619 X06 222	O-Ring	1	\$ 0.68	1	10
62	1 619 X03 110	Washer	1	\$ 1.12	1	11
63	2 610 329 955	Screw	1	\$ 0.68	3	10
64	1 619 X01 786	Contact Screw	1	\$ 0.68	4	10
65	2 610 306 355	Washer	1	\$ 0.68	3	10
66	1 619 X01 263	Stud	1	\$ 1.70	1	13
67	1 619 X04 687	O-Ring	1	\$ 0.68	1	10
68	2 610 932 332	Screw	1	\$ 0.68	3	10
69	2 610 932 460	Self-locking nut	1	\$ 0.68	1	10
71	2 610 027 002	Screw	1	\$ 0.68	5	10
72	2 610 016 325	Bolt	1	\$ 1.12	1	11
73	2 610 004 459	Spring Washer	1	\$ 1.12	2	11
74	1 619 X01 257	Rubber Gasket	1	\$ 1.12	1	11
75	1 619 X07 731	Seal	1	\$ 2.58	1	15
78	1 619 X04 740	Seal	1	\$ 4.31	1	18
79	1 619 X04 738	Screw	1	\$ 0.68	4	10
80	1 619 X06 749	Screw	1	\$ 0.68	1	10
81	2 610 329 950	Screw	1	\$ 0.68	2	10
82	1 619 X01 258	mat seal	1	\$ 1.12	1	11
83	1 619 X06 283	Set Of Handles	1	\$ 6.57	1	21
84	2 610 318 324	Nut	1	\$ 1.12	1	11
85	1 619 X06 294	Screw	1	\$ 2.58	1	15
86	1 619 X04 746	Screw	1	\$ 0.68	4	10
87	1 619 X06 242	Bushing	1	\$ 0.68	1	10
88	1 619 X06 254	Washer	1	\$ 0.68	1	10
90	1 619 X01 260	Bearing Cover	1	\$ 1.12	1	11
91	1 619 X06 749	Screw	1	\$ 0.68	1	10
92	2 610 932 218	Screw	1	\$ 0.68	1	10
93	1 619 X01 283	Nut	1	\$ 1.70	2	13
105	1 619 X03 501	Washer	1	\$ 0.68	1	10
107	1 619 X07 186	Screw	1	-,-	1	-
119	1 619 X06 256	Spring	1	\$ 0.68	1	10
120	1 619 X06 257	Screw	1	\$ 0.68	1	10
122	1 619 X05 847	Washer	1	\$ 0.68	1	10
651	1 619 X04 755	Wrench Socket	1	\$ 2.94	1	16
801	1 619 X09 237	Motor Housing	1	\$ 24.00	1	33
808	1 619 X09 214	Nameplate	1	\$ 0.68	1	10
810	1 619 X08 020	Carbon-Brush Set	1	\$ 4.94	1	19
819	1 619 X06 258	Base Plate	1	\$ 24.00	1	33
821	1 619 X06 241	Gear Housing	1	\$ 30.50	1	35

Item	Part Number	Description	Illustration	Price	Quantity	Price Group
834	1 619 X07 035	Set Of Gears	1	\$ 42.00	1	38
867	1 619 X09 014	groove ball bearing	1	\$ 3.73	1	17

Illustration - Type E



Modifications reserved
 Änderungen vorbehalten
 Modificaciones reservadas
 Salvo modificaciones

F 012 771 000
 Issue } 15-02-10
 Stand }
Fig./Abb. 1

Information subject to change without further notice.