

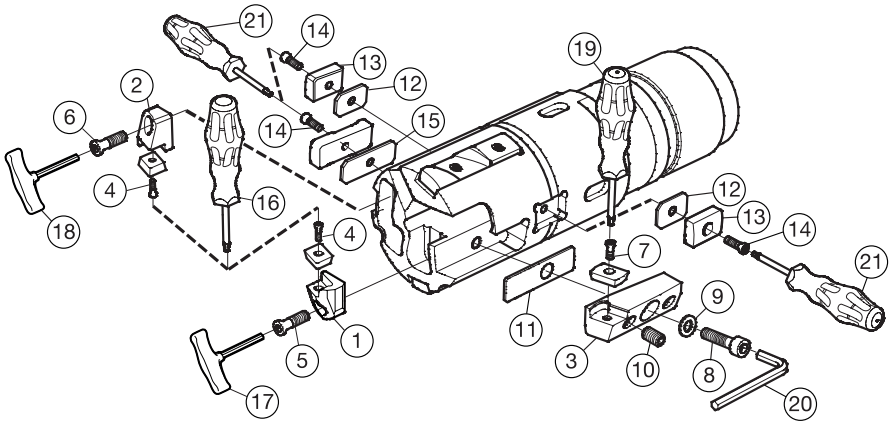
SANDVIK
Coromant

CoroDrill® 801

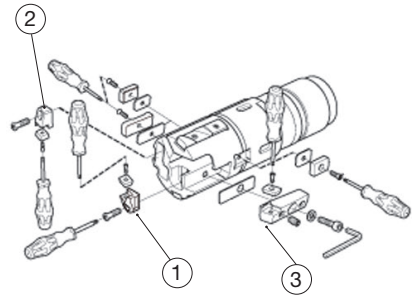
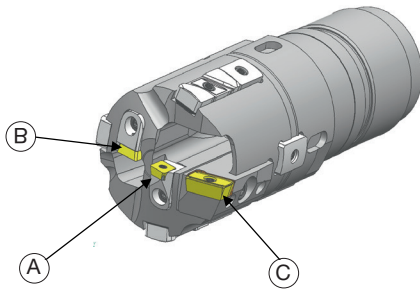


Product and spare part overview, CoroDrill® 801	ENG 4 - 7
产品和备件概述 CoroDrill® 801	CHI 8 - 11
CoroDrill® 801 – Produit et pièces détachées	FRE 12 - 15
Übersicht – Produkte und Ersatzteile, CoroDrill® 801	GER 16 - 19
Panoramica – Prodotto e parti di ricambio CoroDrill® 801	ITA 20 - 23
製品および部品一覧 コロドリル 801	JPN 24 - 27
Visão geral do produto e componentes, CoroDrill® 801	POR 28 - 31
Обзор продукции и комплектующих, CoroDrill® 801	RUS 32 - 35
Descripción del producto y de las piezas de repuesto, CoroDrill® 801	SPA 36 - 39

Spare parts for CoroDrill® 801



- | | |
|--------------------------|-----------------------|
| ① Central cartridge | ⑫ Safety pad shim set |
| ② Intermediate cartridge | ⑬ Safety pad |
| ③ Peripheral cartridge | ⑭ Screw |
| ④ Insert screw | ⑮ Pad shim set |
| ⑤ Screw | ⑯ Screwdriver |
| ⑥ Screw | ⑰ Key |
| ⑦ Insert screw | ⑱ Screwdriver |
| ⑧ Screw | ⑲ Key |
| ⑨ Washer | ⑳ Screwdriver |
| ⑩ Screw | |
| ⑪ Cartridge shim set | |



*) Quantity **) Radial adjustment

Ordering code	**) mm (inch)	Inserts						Cartridge					
		A Central insert	*)	B Intermediate insert	*)	C Peripheral insert	*)	1 Central cartridge	*)	2 Intermediate cartridge	*)	3 Peripheral cartridge	*)
A801.20-14D2625	(0.030)	800-12 T3 08M-C-G	1	800-12 T3 08M-I-G	1	R424.9-13T308-22	1	L801-12T3C	1	R801-12T3I	1	R801-13T3P	1
A801.20-15D2750	(0.020)	800-08 T3 08M-C-G 800-06 T3 08M-C-G	1 2	800-08 T3 08M-I-G	1	R424.9-13T308-22	1	L801-06T3C-2 L801-06T3C	1 1	R801-08T3I	1	R801-13T3P	1
A801.20-16D2875	(0.079)	800-12 T3 08M-C-G	1	800-12 T3 08M-I-G	1	R424.9-180608-22	1	L801-12T3C	1	R801-12T3I	1	R801-1806P	1
A801.20-16D2952	(0.079)	800-12 T3 08M-C-G	1	800-12 T3 08M-I-G	1	R424.9-180608-22	1	L801-12T3C	1	R801-12T3I	1	R801-1806P	1
A801.20-16D3000	(0.079)	800-12 T3 08M-C-G	1	800-12 T3 08M-I-G	1	R424.9-180608-22	1	L801-12T3C	1	R801-12T3I	1	R801-1806P	1
A801.20-17D3187	(0.079)	800-08 T3 08M-C-G 800-06 T3 08M-C-G	1 2	800-12 T3 08M-I-G	1	R424.9-180608-22	1	L801-06T3C-2 L801-06T3C	1 1	R801-12T3I	1	R801-1806P	1
A801.20-17D3250	(0.079)	800-08 T3 08M-C-G 800-06 T3 08M-C-G	1 2	800-12 T3 08M-I-G	1	R424.9-180608-22	1	L801-06T3C-2 L801-06T3C	1 1	R801-12T3I	1	R801-1806P	1
A801.20-18D3500	(0.079)	800-08 T3 08M-C-G 800-06 T3 08M-C-G	2 1	800-12 T3 08M-I-G	1	R424.9-180608-22	1	L801-08T3C L801-06T3C	2 1	R801-12T3I	1	R801-1806P	1
A801.20-19D4000	(0.098)	800-12 T3 08M-C-G	1	800-08 T3 08M-I-G 800-12 T3 08M-I-G	1 2	R424.9-180608-22	1	L801-12T3C	1	R801-08T3I R801-12T3I	1 2	R801-1806P	1
A801.20-19D4250	(0.098)	800-12 T3 08M-C-G	1	800-08 T3 08M-I-G 800-12 T3 08M-I-G	1 2	R424.9-180608-22	1	L801-12T3C	1	R801-08T3I R801-12T3I	1 2	R801-1806P	1
A801.20-19D4375	(0.098)	800-12 T3 08M-C-G	1	800-12 T3 08M-I-G	3	R424.9-180608-22	1	L801-12T3C	3	R801-12T3I	3	R801-1806P	1
A801.20-20D4500	(0.098)	800-12 T3 08M-C-G	1	800-12 T3 08M-I-G	3	R424.9-180608-22	1	L801-12T3C	1	R801-12T3I	3	R801-1806P	1
A801.20-22D5375	(0.098)	800-12 T3 08M-C-G	1	800-08 T3 08M-I-G 800-12 T3 08M-I-G	2 3	R424.9-180608-22	1	L801-12T3C	1	R801-08T3I R801-12T3I	2 3	R801-1806P	1
A801.20-22D5750	(0.098)	800-12 T3 08M-C-G	1	800-08 T3 08M-I-G 800-12 T3 08M-I-G	1 4	R424.9-180608-22	1	L801-12T3C	1	R801-08T3I R801-12T3I	1 4	R801-1806P	1
A801.20-23D6000	(0.098)	800-12 T3 08M-C-G	1	800-08 T3 08M-I-G 800-12 T3 08M-I-G	1 4	R424.9-180608-22	1	L801-12T3C	1	R801-08T3I R801-12T3I	1 4	R801-1806P	1
A801.20-24D6500	(0.098)	800-10 T3 08M-C-G 800-08 T3 08M-C-G	1 2	800-08 T3 08M-I-G 800-12 T3 08M-I-G	6 1	R424.9-180608-22	1	L801-10T3C L801-08T3C	1	R801-08T3I R801-12T3I	6 1	R801-1806P	1
801.20-14D0650	0.75	800-12 T3 08M-C-G	1	800-12 T3 08M-I-G	1	R424.9-13T308-22	1	L801-12T3C	1	R801-12T3I	1	R801-13T3P	1
801.20-15D0680	0.75	800-12 T3 08M-C-G	1	800-12 T3 08M-I-G	1	R424.9-13T308-22	1	L801-12T3C	1	R801-12T3I	1	R801-13T3P	1
801.20-15D0700	0.50	800-08 T3 08M-C-G 800-06 T3 08M-C-G	2 1	800-08 T3 08M-I-G	1	R424.9-13T308-22	1	L801-06T3C-2 L801-06T3C	1	R801-08T3I	1	R801-13T3P	1
801.20-15D0710	1.50	800-10 T3 08M-C-G	1	800-12 T3 08M-I-G	1	R424.9-180608-22	1	L801-10T3C	1	R801-12T3I	1	R801-1806P	1
801.20-17D0800	2.00	800-08 T3 08M-C-G 800-06 T3 08M-C-G	1 2	800-12 T3 08M-I-G	1	R424.9-180608-22	1	L801-06T3C-2 L801-06T3C	1 1	R801-12T3I	1	R801-1806P	1
801.20-17D0860	2.00	800-08 T3 08M-C-G 800-06 T3 08M-C-G	2 1	800-12 T3 08M-I-G	1	R424.9-180608-22	1	L801-08T3C L801-06T3C	2 1	R801-12T3I	1	R801-1806P	1
801.20-18D0900	2.00	800-08 T3 08M-C-G	3	800-12 T3 08M-I-G	1	R424.9-180608-22	1	L801-08T3C	3	R801-12T3I	1	R801-1806P	1
801.20-18D0940	0.75	800-08 T3 08M-C-G	3	800-12 T3 08M-I-G	1	R424.9-180608-22	1	L801-08T3C	1	R801-12T3I	1	R801-1806P	1
801.20-18D0950	2.00	800-12 T3 08M-C-G	1	800-08 T3 08M-I-G 800-12 T3 08M-I-G	2 1	R424.9-180608-22	1	L801-12T3C	1	R801-08T3I R801-12T3I	2 1	R801-1806P	1
801.20-18D0980	2.00	800-12 T3 08M-C-G	1	800-08 T3 08M-I-G 800-12 T3 08M-I-G	2 1	R424.9-180608-22	1	L801-12T3C	1	R801-08T3I R801-12T3I	2 1	R801-1806P	1
801.20-19D1050	2.50	800-12 T3 08M-C-G	1	800-08 T3 08M-I-G 800-12 T3 08M-I-G	1 2	R424.9-180608-22	1	L801-12T3C	1	R801-08T3I R801-12T3I	1 2	R801-1806P	1
801.20-20D1200	2.50	800-12 T3 08M-C-G	1	800-08 T3 08M-I-G 800-12 T3 08M-I-G	4 1	R424.9-180608-22	1	L801-12T3C	1	R801-08T3I R801-12T3I	4 1	R801-1806P	1
801.20-21D1250	2.50	800-12 T3 08M-C-G	1	800-08 T3 08M-I-G 800-12 T3 08M-I-G	4 1	R424.9-180608-22	1	L801-12T3C	1	R801-08T3I R801-12T3I	4 1	R801-1806P	1
801.20-21D1300	2.50	800-12 T3 08M-C-G	1	800-08 T3 08M-I-G 800-12 T3 08M-I-G	3 2	R424.9-180608-22	1	L801-12T3C	1	R801-08T3I R801-12T3I	3 2	R801-1806P	1
801.20-21D1350	2.50	800-12 T3 08M-C-G	1	800-08 T3 08M-I-G 800-12 T3 08M-I-G	3 2	R424.9-180608-22	1	L801-12T3C	1	R801-08T3I R801-12T3I	3 2	R801-1806P	1
801.20-22D1415	2.50	800-12 T3 08M-C-G	1	800-08 T3 08M-I-G 800-12 T3 08M-I-G	2 3	R424.9-180608-22	1	L801-12T3C	1	R801-08T3I R801-12T3I	2 3	R801-1806P	1
801.20-23D1500	2.50	800-12 T3 08M-C-G	1	800-08 T3 08M-I-G 800-12 T3 08M-I-G	1 4	R424.9-180608-22	1	L801-12T3C	1	R801-08T3I R801-12T3I	1 4	R801-1806P	1
801.20-23D1570	2.50	800-12 T3 08M-C-G	1	800-12 T3 08M-I-G	5	R424.9-180608-22	1	L801-12T3C	1	R801-12T3I	5	R801-1806P	1
801.20-24D1620	2.50	800-12 T3 08M-C-G	1	800-12 T3 08M-I-G	5	R424.9-180608-22	1	L801-12T3C	1	R801-12T3I	5	R801-1806P	1

Central cartridge	A Insert	4 Insert screw	16 Screwdriver	5 Screw
L801-06T3C	800-06 T3 08M-C-G	5513 020-34	5680 046-01	5513 020-25
L801-08T3C	800-08 T3 08M-C-G	5513 020-34	5680 046-01	5513 020-25
L801-10T3C	800-10 T3 08M-C-G	5513 020-34	5680 046-01	5513 020-26
L801-12T3C	800-12 T3 08M-C-G	5513 020-34	5680 046-01	5513 020-26

Central cartridge	A Insert	B Insert	4 Insert screw	16 Screwdriver
L801-06T3C-2	800-08 T3 08M-C-G	800-06 T3 08M-C-G	5513 020-34	5680 046-01

Intermediate cartridge	A Insert	4 Insert screw	16 Screwdriver	6 Screw
R801-08T3I	800-08 T3 08M-I-G	5513 020-34	5680 046-01	5513 020-25
R801-12T3I	800-12 T3 08M-I-G	5513 020-34	5680 046-01	5513 020-26

Peripheral cartridge	A Insert	7 Insert screw	19 Screwdriver	8 Screw
R801-13T3P	R424.9-13T308-22	5513 020-24	5680 046-04	3212 010-310
R801-1806P	R424.9-180608-22	5513 020-25	5680 046-02	3212 010-361



Please contact your local Sandvik Coromant representative for more information regarding appropriate inserts.

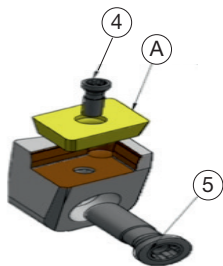
11 Cartridge shim set 5549 128-40 < 70.99 Ø			Individual shims
Pcs	mm	Size Inch	
2	0.1	0.004	5549 128-41
2	0.15	0.006	5549 128-42
1	0.5	0.020	5549 128-43
1	1	0.039	5549 128-44
1	1.5	0.059	5549 128-45

11 Cartridge shim set 5549 128-60 > 71.00 Ø			Individual shims
Pcs	mm	Size Inch	
2	0.1	0.004	5549 128-51
2	0.15	0.006	5549 128-52
1	0.5	0.020	5549 128-53
1	1	0.039	5549 128-54
1	1.5	0.059	5549 128-55
1	0.75	0.029	5549 128-56
1	2	0.079	5549 128-57
1	2.5	0.098	5549 128-58

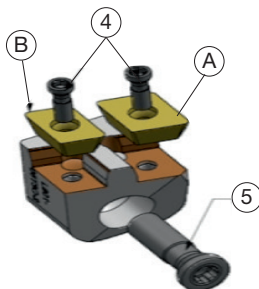
12 Safety pads shim set 5549 126-90		
Pcs	Size	
	mm	Inch
1	0.2	0.008
1	0.5	0.020
1	1	0.039

12 Safety pads shim set 5549 126-91		
Pcs	Size	
	mm	Inch
1	0.2	0.008
1	0.5	0.020
1	1	0.039

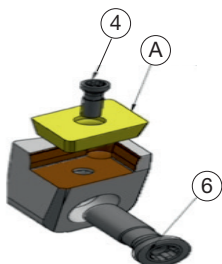
17 Key
5680 048-01
5680 048-01
5680 048-03
5680 048-03



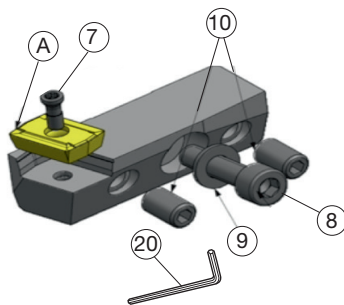
5 Screw	17 Key
5513 020-26	5680 048-03



18 Key
5680 048-01
5680 048-03

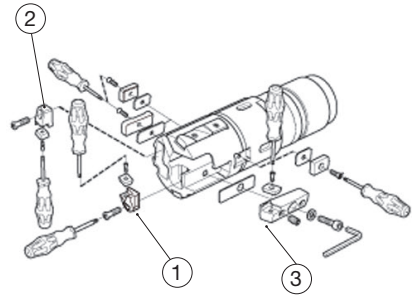
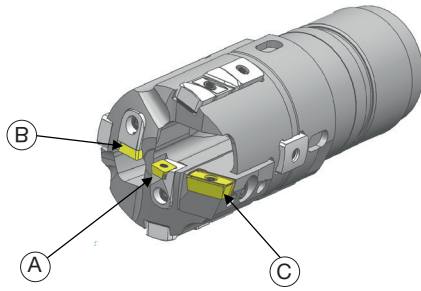


20 Key	9 Washer	10 Screw
3021 010-040	3411 011-053	3214 010-357
3021 010-050	3411 011-064	3214 010-357



15 Pad shim set 5549 126-10			Individual shims
Pcs	Size		
	mm	Inch	
3	0.05	0.002	5549 126-07
3	0.1	0.004	5549 126-01
3	0.15	0.006	5549 126-04
3	0.2	0.008	5549 126-02
3	0.3	0.012	5549 126-03
3	2	0.079	5549 126-05
3	2.5	0.098	5549 126-06

15 Pad shim set 5549 127-20			Individual shims
Pcs	Size		
	mm	Inch	
3	0.05	0.002	5549 127-22
3	0.1	0.004	5549 127-01
3	0.15	0.006	5549 127-21
3	0.2	0.008	5549 127-02
3	0.3	0.012	5549 127-03
3	0.5	0.020	5549 127-04
3	0.75	0.029	5549 127-23
3	1.5	0.059	5549 127-24
3	2	0.079	5549 127-07



*) 可订购的数量 **) 径向调整量

订货号 钻头	**) mm (inch)	刀片			刀夹								
		A 中心刀片	B 中间刀片	C 周边刀片	1 中心刀夹	2 中间刀夹	3 周边刀夹						
A801.20-14D2625	(0.030)	800-12 T3 08M-C-G	1	800-12 T3 08M+G	1	R424.9-13T308-22	1	L801-12T3C	1	R801-12T3I	1	R801-13T3P	1
A801.20-15D2750	(0.020)	800-08 T3 08M-C-G 800-06 T3 08M-C-G	1 2	800-08 T3 08M+G	1	R424.9-13T308-22	1	L801-06T3C L801-06T3C	1 1	R801-08T3I	1	R801-13T3P	1
A801.20-16D2875	(0.079)	800-12 T3 08M-C-G	1	800-12 T3 08M+G	1	R424.9-180608-22	1	L801-12T3C	1	R801-12T3I	1	R801-1806P	1
A801.20-16D2952	(0.079)	800-12 T3 08M-C-G	1	800-12 T3 08M+G	1	R424.9-180608-22	1	L801-12T3C	1	R801-12T3I	1	R801-1806P	1
A801.20-16D3000	(0.079)	800-12 T3 08M-C-G	1	800-12 T3 08M+G	1	R424.9-180608-22	1	L801-12T3C	1	R801-12T3I	1	R801-1806P	1
A801.20-17D3187	(0.079)	800-08 T3 08M-C-G 800-06 T3 08M-C-G	1 2	800-12 T3 08M+G	1	R424.9-180608-22	1	L801-06T3C-2 L801-06T3C	1 1	R801-12T3I	1	R801-1806P	1
A801.20-17D3250	(0.079)	800-08 T3 08M-C-G 800-06 T3 08M-C-G	1 2	800-12 T3 08M+G	1	R424.9-180608-22	1	L801-06T3C-2 L801-06T3C	1 1	R801-12T3I	1	R801-1806P	1
A801.20-18D3500	(0.079)	800-08 T3 08M-C-G 800-06 T3 08M-C-G	1 2	800-12 T3 08M+G	1	R424.9-180608-22	1	L801-08T3C L801-06T3C	1 2	R801-12T3I	1	R801-1806P	1
A801.20-19D4000	(0.098)	800-12 T3 08M-C-G	1	800-08 T3 08M+G 800-12 T3 08M+G	1 2	R424.9-180608-22	1	L801-12T3C	1	R801-08T3I R801-12T3I	1 2	R801-1806P	1
A801.20-19D4250	(0.098)	800-12 T3 08M-C-G	1	800-08 T3 08M+G 800-12 T3 08M+G	1 2	R424.9-180608-22	1	L801-12T3C	1	R801-08T3I R801-12T3I	1 2	R801-1806P	1
A801.20-19D4375	(0.098)	800-12 T3 08M-C-G	1	800-12 T3 08M+G	3	R424.9-180608-22	1	L801-12T3C	1	R801-12T3I	3	R801-1806P	1
A801.20-20D4500	(0.098)	800-12 T3 08M-C-G	1	800-12 T3 08M+G	3	R424.9-180608-22	3	L801-12T3C	3	R801-12T3I	3	R801-1806P	1
A801.20-22D5375	(0.098)	800-12 T3 08M-C-G	1	800-08 T3 08M+G 800-12 T3 08M+G	2 3	R424.9-180608-22	1	L801-12T3C	1	R801-08T3I R801-12T3I	2 3	R801-1806P	1
A801.20-22D5750	(0.098)	800-12 T3 08M-C-G	1	800-08 T3 08M+G 800-12 T3 08M+G	1 4	R424.9-180608-22	1	L801-12T3C	1	R801-08T3I R801-12T3I	1 4	R801-1806P	1
A801.20-23D6000	(0.098)	800-12 T3 08M-C-G	1	800-08 T3 08M+G 800-12 T3 08M+G	1 4	R424.9-180608-22	1	L801-12T3C	1	R801-08T3I R801-12T3I	1 4	R801-1806P	1
A801.20-24D6500	(0.098)	800-10 T3 08M-C-G 800-08 T3 08-M-C-G	1 2	800-08 T3 08M+G 800-12 T3 08M+G	6 1	R424.9-180608-22	1	L801-10T3C L801-08T3C	1 2	R801-08T3I R801-12T3I	6 1	R801-1806P	1
801.20-14D0650	0.75	800-12 T3 08M-C-G	1	800-12 T3 08M+G	1	R424.9-13T308-22	1	L801-12T3C	1	R801-12T3I	1	R801-13T3P	1
801.20-15D0680	0.75	800-12 T3 08M-C-G	1	800-12 T3 08M+G	1	R424.9-13T308-22	1	L801-12T3C	1	R801-12T3I	1	R801-13T3P	1
801.20-15D0700	0.50	800-08 T3 08M-C-G 800-06 T3 08M-C-G	2 1	800-08 T3 08M+G	1	R424.9-13T308-22	1	L801-06T3C-2 L801-06T3C	1 1	R801-08T3I	1	R801-13T3P	1
801.20-15D0710	1.50	800-10 T3 08M-C-G	1	800-12 T3 08M+G	1	R424.9-180608-22	1	L801-10T3C	1	R801-12T3I	1	R801-1806P	1
801.20-17D0800	2.00	800-08 T3 08M-C-G 800-06 T3 08M-C-G	1 2	800-12 T3 08M+G	1	R424.9-180608-22	1	L801-06T3C-2 L801-06T3C	1 1	R801-12T3I	1	R801-1806P	1
801.20-17D0860	2.00	800-08 T3 08M-C-G 800-06 T3 08M-C-G	2 1	800-12 T3 08M+G	1	R424.9-180608-22	1	L801-08T3C L801-06T3C	2 1	R801-12T3I	1	R801-1806P	1
801.20-18D0900	2.00	800-08 T3 08M-C-G	3	800-12 T3 08M+G	1	R424.9-180608-22	1	L801-08T3C	3	R801-12T3I	1	R801-1806P	1
801.20-18D0940	0.75	800-08 T3 08M-C-G	3	800-12 T3 08M+G	1	R424.9-180608-22	1	L801-08T3C	3	R801-12T3I	1	R801-1806P	1
801.20-18D0950	2.00	800-12 T3 08M-C-G	1	800-08 T3 08M+G 800-12 T3 08M+G	2 2	R424.9-180608-22	1	L801-12T3C	1	R801-08T3I R801-12T3I	2 2	R801-1806P	1
801.20-18D0980	2.00	800-12 T3 08M-C-G	1	800-08 T3 08M+G 800-12 T3 08M+G	2 2	R424.9-180608-22	1	L801-12T3C	1	R801-08T3I R801-12T3I	2 2	R801-1806P	1
801.20-19D1050	2.50	800-12 T3 08M-C-G	1	800-08 T3 08M+G 800-12 T3 08M+G	1 2	R424.9-180608-22	1	L801-12T3C	1	R801-08T3I R801-12T3I	1 2	R801-1806P	1
801.20-20D1200	2.50	800-12 T3 08M-C-G	1	800-08 T3 08M+G 800-12 T3 08M+G	4 1	R424.9-180608-22	1	L801-12T3C	1	R801-08T3I R801-12T3I	4 1	R801-1806P	1
801.20-21D1250	2.50	800-12 T3 08M-C-G	1	800-08 T3 08M+G 800-12 T3 08M+G	4 1	R424.9-180608-22	1	L801-12T3C	1	R801-08T3I R801-12T3I	4 1	R801-1806P	1
801.20-21D1300	2.50	800-12 T3 08M-C-G	1	800-08 T3 08M+G 800-12 T3 08M+G	3 2	R424.9-180608-22	1	L801-12T3C	1	R801-08T3I R801-12T3I	3 2	R801-1806P	1
801.20-21D1350	2.50	800-12 T3 08M-C-G	1	800-08 T3 08M+G 800-12 T3 08M+G	3 2	R424.9-180608-22	1	L801-12T3C	1	R801-08T3I R801-12T3I	3 2	R801-1806P	1
801.20-22D1415	2.50	800-12 T3 08M-C-G	1	800-08 T3 08M+G 800-12 T3 08M+G	2 3	R424.9-180608-22	1	L801-12T3C	1	R801-08T3I R801-12T3I	2 3	R801-1806P	1
801.20-23D1500	2.50	800-12 T3 08M-C-G	1	800-08 T3 08M+G 800-12 T3 08M+G	1 4	R424.9-180608-22	1	L801-12T3C	1	R801-08T3I R801-12T3I	1 4	R801-1806P	1
801.20-23D1570	2.50	800-12 T3 08M-C-G	1	800-12 T3 08M+G	5	R424.9-180608-22	1	L801-12T3C	1	R801-12T3I	5	R801-1806P	1
801.20-24D1620	2.50	800-12 T3 08M-C-G	1	800-12 T3 08M+G	5	R424.9-180608-22	1	L801-12T3C	1	R801-12T3I	5	R801-1806P	1

中心刀夹	A 刀片	4 刀片螺钉	16 改锥	5 螺钉
L801-06T3C	800-06 T3 08M-C-G	5513 020-34	5680 046-01	5513 020-25
L801-08T3C	800-08 T3 08M-C-G	5513 020-34	5680 046-01	5513 020-25
L801-10T3C	800-10 T3 08M-C-G	5513 020-34	5680 046-01	5513 020-26
L801-12T3C	800-12 T3 08M-C-G	5513 020-34	5680 046-01	5513 020-26

中心刀夹	A 刀片	B 刀片	4 刀片螺钉	16 改锥
L801-06T3C-2	800-08 T3 08M-C-G	800-06 T3 08M-C-G	5513 020-34	5680 046-01

中间刀夹	A 刀片	4 刀片螺钉	16 改锥	6 螺钉
R801-08T3I	800-08 T3 08M-I-G	5513 020-34	5680 046-01	5513 020-25
R801-12T3I	800-12 T3 08M-I-G	5513 020-34	5680 046-01	5513 020-26

周边刀夹	A 刀片	7 刀片螺钉	19 改锥	8 螺钉
R801-13T3P	R424.9-13T308-22	5513 020-24	5680 046-04	3212 010-310
R801-1806P	R424.9-180608-22	5513 020-25	5680 046-02	3212 010-361



如需更多信息，请与您当地的山特维克可乐满办事处联系。

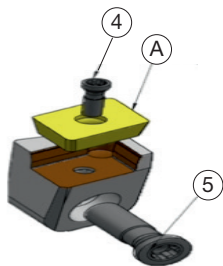
11 刀夹垫片组件 5549 128-40 < 70.99 Ø			单个刀垫
件	mm	尺寸 Inch	
2	0.1	0.004	5549 128-41
2	0.15	0.006	5549 128-42
1	0.5	0.020	5549 128-43
1	1	0.039	5549 128-44
1	1.5	0.059	5549 128-45

11 刀夹垫片组件 5549 128-60 > 71.00 Ø			单个刀垫
件	mm	尺寸 Inch	
2	0.1	0.004	5549 128-51
2	0.15	0.006	5549 128-52
1	0.5	0.020	5549 128-53
1	1	0.039	5549 128-54
1	1.5	0.059	5549 128-55
1	0.75	0.029	5549 128-56
1	2	0.079	5549 128-57
1	2.5	0.098	5549 128-58

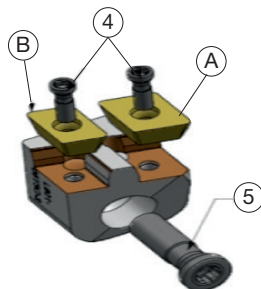
12 保护板垫片组件 5549 126-90		
件	尺寸	
	mm	Inch
1	0.2	0.008
1	0.5	0.020
1	1	0.039

12 保护板垫片组件 5549 126-91		
件	尺寸	
	mm	Inch
1	0.2	0.008
1	0.5	0.020
1	1	0.039

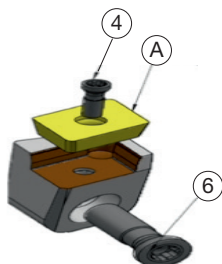
17 扳手
5680 048-01
5680 048-01
5680 048-03
5680 048-03



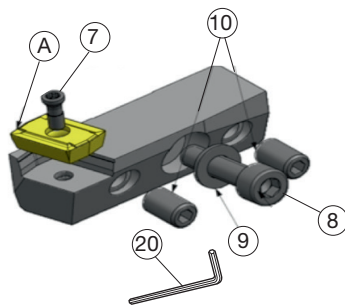
5 螺钉	17 扳手
5513 020-26	5680 048-03



18 扳手
5680 048-01
5680 048-03

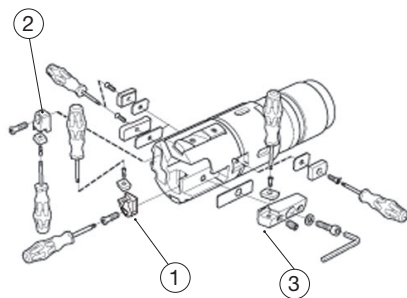
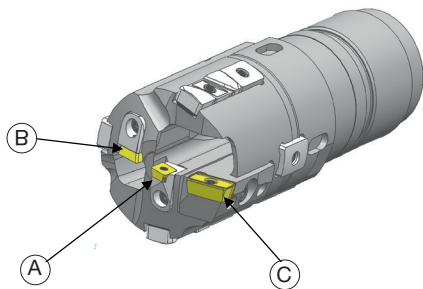


20 扳手	9 垫圈	10 螺钉
3021 010-040	3411 011-053	3214 010-357
3021 010-050	3411 011-064	3214 010-357



15 支撑板垫片组件 5549 126-10			单个刀垫
件	尺寸		
	mm	Inch	
3	0.05	0.002	5549 126-07
3	0.1	0.004	5549 126-01
3	0.15	0.006	5549 126-04
3	0.2	0.008	5549 126-02
3	0.3	0.012	5549 126-03
3	2	0.079	5549 126-05
3	2.5	0.098	5549 126-06

15 支撑板垫片组件 5549 127-20			单个刀垫
件	尺寸		
	mm	Inch	
3	0.05	0.002	5549 127-22
3	0.1	0.004	5549 127-01
3	0.15	0.006	5549 127-21
3	0.2	0.008	5549 127-02
3	0.3	0.012	5549 127-03
3	0.5	0.020	5549 127-04
3	0.75	0.029	5549 127-23
3	1.5	0.059	5549 127-24
3	2	0.079	5549 127-07



*) Quantité **) Réglage radial

Référence de commande Tête de forage	**) mm (pouce)	Plaquettes			Cartouche								
		A Plaquette centrale	B Plaquette intermédiaire	C Plaquette périphérique	1 Cartouche central	2 Cartouche intermédiaire	3 Cartouche périphérique						
A801.20-14D2625	(0.030)	800-12 T3 08M-C-G	1	800-12 T3 08M-I-G	1	R424.9-13T308-22	1	L801-12T3C	1	R801-12T3I	1	R801-13T3P	1
A801.20-15D2750	(0.020)	800-08 T3 08M-C-G 800-06 T3 08M-C-G	1 2	800-08 T3 08M-I-G	1	R424.9-13T308-22	1	L801-06T3C-2 L801-06T3C	1 1	R801-08T3I	1	R801-13T3P	1
A801.20-16D2875	(0.079)	800-12 T3 08M-C-G	1	800-12 T3 08M-I-G	1	R424.9-180608-22	1	L801-12T3C	1	R801-12T3I	1	R801-1806P	1
A801.20-16D2952	(0.079)	800-12 T3 08M-C-G	1	800-12 T3 08M-I-G	1	R424.9-180608-22	1	L801-12T3C	1	R801-12T3I	1	R801-1806P	1
A801.20-16D3000	(0.079)	800-12 T3 08M-C-G	1	800-12 T3 08M-I-G	1	R424.9-180608-22	1	L801-12T3C	1	R801-12T3I	1	R801-1806P	1
A801.20-17D3187	(0.079)	800-08 T3 08M-C-G 800-06 T3 08M-C-G	1 2	800-12 T3 08M-I-G	1	R424.9-180608-22	1	L801-06T3C-2 L801-06T3C	1 1	R801-12T3I	1	R801-1806P	1
A801.20-17D3250	(0.079)	800-08 T3 08M-C-G 800-06 T3 08M-C-G	1 2	800-12 T3 08M-I-G	1	R424.9-180608-22	1	L801-06T3C-2 L801-06T3C	1 1	R801-12T3I	1	R801-1806P	1
A801.20-18D3500	(0.079)	800-08 T3 08M-C-G 800-06 T3 08M-C-G	1 2	800-12 T3 08M-I-G	1	R424.9-180608-22	1	L801-08T3C L801-06T3C	2 1	R801-12T3I	1	R801-1806P	1
A801.20-19D4000	(0.098)	800-12 T3 08M-C-G	1	800-08 T3 08M-I-G 800-12 T3 08M-I-G	1 2	R424.9-180608-22	1	L801-12T3C	1	R801-08T3I R801-12T3I	1 2	R801-1806P	1
A801.20-19D4250	(0.098)	800-12 T3 08M-C-G	1	800-08 T3 08M-I-G 800-12 T3 08M-I-G	1 2	R424.9-180608-22	1	L801-12T3C	1	R801-08T3I R801-12T3I	1 2	R801-1806P	1
A801.20-19D4375	(0.098)	800-12 T3 08M-C-G	1	800-12 T3 08M-I-G	3	R424.9-180608-22	1	L801-12T3C	1	R801-12T3I	3	R801-1806P	1
A801.20-20D4500	(0.098)	800-12 T3 08M-C-G	1	800-12 T3 08M-I-G	3	R424.9-180608-22	1	L801-12T3C	1	R801-12T3I	3	R801-1806P	1
A801.20-22D5375	(0.098)	800-12 T3 08M-C-G	1	800-08 T3 08M-I-G 800-12 T3 08M-I-G	2 3	R424.9-180608-22	1	L801-12T3C	1	R801-08T3I R801-12T3I	2 3	R801-1806P	1
A801.20-22D5750	(0.098)	800-12 T3 08M-C-G	1	800-08 T3 08M-I-G 800-12 T3 08M-I-G	1 4	R424.9-180608-22	1	L801-12T3C	1	R801-08T3I R801-12T3I	1 4	R801-1806P	1
A801.20-23D6000	(0.098)	800-12 T3 08M-C-G	1	800-08 T3 08M-I-G 800-12 T3 08M-I-G	1 4	R424.9-180608-22	1	L801-12T3C	1	R801-08T3I R801-12T3I	1 4	R801-1806P	1
A801.20-24D6500	(0.098)	800-10 T3 08M-C-G 800-08 T3 08M-C-G	1 2	800-08 T3 08M-I-G 800-12 T3 08M-I-G	6 1	R424.9-180608-22	1	L801-10T3C L801-08T3C	1 2	R801-08T3I R801-12T3I	6 1	R801-1806P	1
801.20-14D0650	0.75	800-12 T3 08M-C-G	1	800-12 T3 08M-I-G	1	R424.9-13T308-22	1	L801-12T3C	1	R801-12T3I	1	R801-13T3P	1
801.20-15D0680	0.75	800-12 T3 08M-C-G	1	800-12 T3 08M-I-G	1	R424.9-13T308-22	1	L801-12T3C	1	R801-12T3I	1	R801-13T3P	1
801.20-15D0700	0.50	800-08 T3 08M-C-G 800-06 T3 08M-C-G	2 1	800-08 T3 08M-I-G	1	R424.9-13T308-22	1	L801-06T3C-2 L801-06T3C	1 1	R801-08T3I	1	R801-13T3P	1
801.20-15D0710	1.50	800-10 T3 08M-C-G	1	800-12 T3 08M-I-G	1	R424.9-180608-22	1	L801-10T3C	1	R801-12T3I	1	R801-1806P	1
801.20-17D0800	2.00	800-08 T3 08M-C-G 800-06 T3 08M-C-G	1 2	800-12 T3 08M-I-G	1	R424.9-180608-22	1	L801-06T3C-2 L801-06T3C	1 1	R801-12T3I	1	R801-1806P	1
801.20-17D0860	2.00	800-08 T3 08M-C-G 800-06 T3 08M-C-G	2 1	800-12 T3 08M-I-G	1	R424.9-180608-22	1	L801-08T3C L801-06T3C	2 1	R801-12T3I	1	R801-1806P	1
801.20-18D0900	2.00	800-08 T3 08M-C-G	3	800-12 T3 08M-I-G	1	R424.9-180608-22	1	L801-08T3C	3	R801-12T3I	1	R801-1806P	1
801.20-18D0940	0.75	800-08 T3 08M-C-G	3	800-12 T3 08M-I-G	1	R424.9-180608-22	1	L801-08T3C	3	R801-12T3I	1	R801-1806P	1
801.20-18D0950	2.00	800-12 T3 08M-C-G	1	800-08 T3 08M-I-G 800-12 T3 08M-I-G	2 1	R424.9-180608-22	1	L801-12T3C	1	R801-08T3I R801-12T3I	2 2	R801-1806P	1
801.20-18D0980	2.00	800-12 T3 08M-C-G	1	800-08 T3 08M-I-G 800-12 T3 08M-I-G	2 1	R424.9-180608-22	1	L801-12T3C	1	R801-08T3I R801-12T3I	2 2	R801-1806P	1
801.20-19D1050	2.50	800-12 T3 08M-C-G	1	800-08 T3 08M-I-G 800-12 T3 08M-I-G	1 2	R424.9-180608-22	1	L801-12T3C	1	R801-08T3I R801-12T3I	1 2	R801-1806P	1
801.20-20D1200	2.50	800-12 T3 08M-C-G	1	800-08 T3 08M-I-G 800-12 T3 08M-I-G	4 1	R424.9-180608-22	1	L801-12T3C	1	R801-08T3I R801-12T3I	4 1	R801-1806P	1
801.20-21D1250	2.50	800-12 T3 08M-C-G	1	800-08 T3 08M-I-G 800-12 T3 08M-I-G	4 1	R424.9-180608-22	1	L801-12T3C	1	R801-08T3I R801-12T3I	4 1	R801-1806P	1
801.20-21D1300	2.50	800-12 T3 08M-C-G	1	800-08 T3 08M-I-G 800-12 T3 08M-I-G	3 2	R424.9-180608-22	1	L801-12T3C	1	R801-08T3I R801-12T3I	3 2	R801-1806P	1
801.20-21D1350	2.50	800-12 T3 08M-C-G	1	800-08 T3 08M-I-G 800-12 T3 08M-I-G	3 2	R424.9-180608-22	1	L801-12T3C	1	R801-08T3I R801-12T3I	3 2	R801-1806P	1
801.20-22D1415	2.50	800-12 T3 08M-C-G	1	800-08 T3 08M-I-G 800-12 T3 08M-I-G	2 3	R424.9-180608-22	1	L801-12T3C	1	R801-08T3I R801-12T3I	2 3	R801-1806P	1
801.20-23D1500	2.50	800-12 T3 08M-C-G	1	800-08 T3 08M-I-G 800-12 T3 08M-I-G	1 4	R424.9-180608-22	1	L801-12T3C	1	R801-08T3I R801-12T3I	1 4	R801-1806P	1
801.20-23D1570	2.50	800-12 T3 08M-C-G	1	800-12 T3 08M-I-G	5	R424.9-180608-22	1	L801-12T3C	1	R801-12T3I	5	R801-1806P	1
801.20-24D1620	2.50	800-12 T3 08M-C-G	1	800-12 T3 08M-I-G	5	R424.9-180608-22	1	L801-12T3C	1	R801-12T3I	5	R801-1806P	1

Cartouche central	A Plaquette	4 Vis de plaquette	16 Tournevis	5 Vis
L801-06T3C	800-06 T3 08M-C-G	5513 020-34	5680 046-01	5513 020-25
L801-08T3C	800-08 T3 08M-C-G	5513 020-34	5680 046-01	5513 020-25
L801-10T3C	800-10 T3 08M-C-G	5513 020-34	5680 046-01	5513 020-26
L801-12T3C	800-12 T3 08M-C-G	5513 020-34	5680 046-01	5513 020-26

Cartouche central	A Plaquette	B Plaquette	4 Vis de plaquette	16 Tournevis
L801-06T3C-2	800-08 T3 08M-C-G	800-06 T3 08M-C-G	5513 020-34	5680 046-01

Cartouche intermédiaire	A Plaquette	4 Vis de plaquette	16 Tournevis	6 Vis
R801-08T3I	800-08 T3 08M-I-G	5513 020-34	5680 046-01	5513 020-25
R801-12T3I	800-12 T3 08M-I-G	5513 020-34	5680 046-01	5513 020-26

Cartouche périphérique	A Plaquettes	7 Vis de plaquette	19 Tournevis	8 Vis
R801-13T3P	R424.9-13T308-22	5513 020-24	5680 046-04	3212 010-310
R801-1806P	R424.9-180608-22	5513 020-25	5680 046-02	3212 010-361



Pour plus de précisions sur les plaquettes adaptées, veuillez vous adresser à votre représentant Sandvik Coromant.

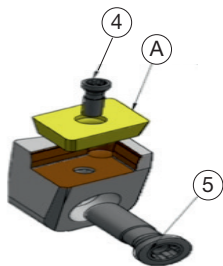
11 Jeu de cales-supports pour cartouche 5549 128-40 < 70.99 Ø			Cales support individuelles
Pcs	Taille		
	mm	Pouce	
2	0.1	0.004	5549 128-41
2	0.15	0.006	5549 128-42
1	0.5	0.020	5549 128-43
1	1	0.039	5549 128-44
1	1.5	0.059	5549 128-45

11 Jeu de cales-supports pour cartouche 5549 128-60 > 71.00 Ø			Cales support individuelles
Pcs	Taille		
	mm	Pouce	
2	0.1	0.004	5549 128-51
2	0.15	0.006	5549 128-52
1	0.5	0.020	5549 128-53
1	1	0.039	5549 128-54
1	1.5	0.059	5549 128-55
1	0.75	0.029	5549 128-56
1	2	0.079	5549 128-57
1	2.5	0.098	5549 128-58

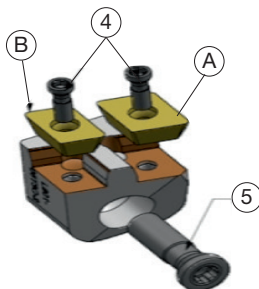
12 Jeu de cales d'ételles 5549 126-90		
Pcs	Taille	
	mm	Pouce
1	0.2	0.008
1	0.5	0.020
1	1	0.039

12 Jeu de cales d'ételles 5549 126-91		
Pcs	Taille	
	mm	Pouce
1	0.2	0.008
1	0.5	0.020
1	1	0.039

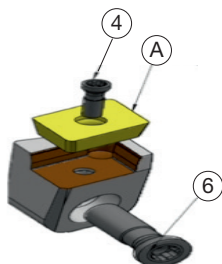
17 Clé
5680 048-01
5680 048-01
5680 048-03
5680 048-03



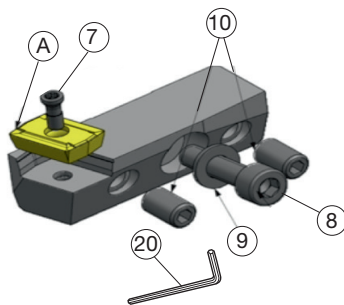
5 Vis	17 Clé
5513 020-26	5680 048-03



18 Clé
5680 048-01
5680 048-03

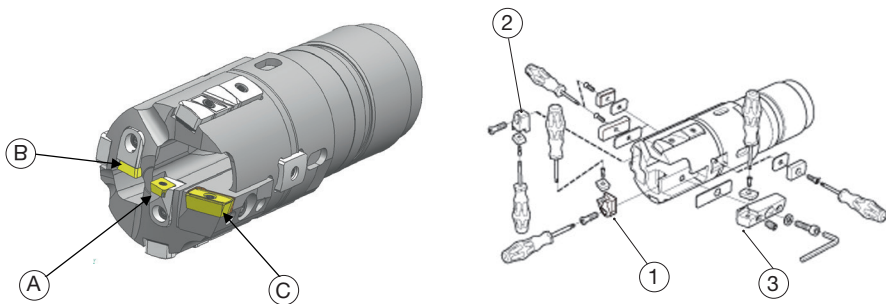


20 Clé	9 Rondelle	10 Vis
3021 010-040	3411 011-053	3214 010-357
3021 010-050	3411 011-064	3214 010-357



15 Jeu de cales d'ételles 5549 126-10			Cales support individuelles
Pcs	Taille		
	mm	Pouce	
3	0.05	0.002	5549 126-07
3	0.1	0.004	5549 126-01
3	0.15	0.006	5549 126-04
3	0.2	0.008	5549 126-02
3	0.3	0.012	5549 126-03
3	2	0.079	5549 126-05
3	2.5	0.098	5549 126-06

15 Jeu de cales d'ételles 5549 127-20			Cales support individuelles
Pcs	Taille		
	mm	Pouce	
3	0.05	0.002	5549 127-22
3	0.1	0.004	5549 127-01
3	0.15	0.006	5549 127-21
3	0.2	0.008	5549 127-02
3	0.3	0.012	5549 127-03
3	0.5	0.020	5549 127-04
3	0.75	0.029	5549 127-23
3	1.5	0.059	5549 127-24
3	2	0.079	5549 127-07



*) Menge **) Radiale Verstellung

Bestellnummer Bohrkopf	**) mm (Zoll)	Wendepatte			Einbauehalter								
		A Zentrumschneide	*) B Zwischenschneide	*) C Außenschneide	*) 1 Hauptein- bauehalter	*) 2 Zwischenein- bauehalter	*) 3 Außenein- bauehalter						
A801.20-14D2625	(0.030)	800-12 T3 08M-C-G	1	800-12 T3 08M-I-G	1	R424.9-13T308-22	1	L801-12T3C	1	R801-12T3I	1	R801-13T3P	1
A801.20-15D2750	(0.020)	800-08 T3 08M-C-G 800-06 T3 08M-C-G	1 2	800-08 T3 08M-I-G	1	R424.9-13T308-22	1	L801-06T3C-2 L801-06T3C	1 1	R801-08T3I	1	R801-13T3P	1
A801.20-16D2875	(0.079)	800-12 T3 08M-C-G	1	800-12 T3 08M-I-G	1	R424.9-180608-22	1	L801-12T3C	1	R801-12T3I	1	R801-1806P	1
A801.20-16D2952	(0.079)	800-12 T3 08M-C-G	1	800-12 T3 08M-I-G	1	R424.9-180608-22	1	L801-12T3C	1	R801-12T3I	1	R801-1806P	1
A801.20-16D3000	(0.079)	800-12 T3 08M-C-G	1	800-12 T3 08M-I-G	1	R424.9-180608-22	1	L801-12T3C	1	R801-12T3I	1	R801-1806P	1
A801.20-17D3187	(0.079)	800-08 T3 08M-C-G 800-06 T3 08M-C-G	1 2	800-12 T3 08M-I-G	1	R424.9-180608-22	1	L801-06T3C-2 L801-06T3C	1 1	R801-12T3I	1	R801-1806P	1
A801.20-17D3250	(0.079)	800-08 T3 08M-C-G 800-06 T3 08M-C-G	1 2	800-12 T3 08M-I-G	1	R424.9-180608-22	1	L801-06T3C-2 L801-06T3C	1 1	R801-12T3I	1	R801-1806P	1
A801.20-18D3500	(0.079)	800-08 T3 08M-C-G 800-06 T3 08M-C-G	2 1	800-12 T3 08M-I-G	1	R424.9-180608-22	1	L801-08T3C L801-06T3C	2 1	R801-12T3I	1	R801-1806P	1
A801.20-19D4000	(0.098)	800-12 T3 08M-C-G	1	800-08 T3 08M-I-G 800-12 T3 08M-I-G	1 2	R424.9-180608-22	1	L801-12T3C	1	R801-08T3I R801-12T3I	1 2	R801-1806P	1
A801.20-19D4250	(0.098)	800-12 T3 08M-C-G	1	800-08 T3 08M-I-G 800-12 T3 08M-I-G	1 2	R424.9-180608-22	1	L801-12T3C	1	R801-08T3I R801-12T3I	1 2	R801-1806P	1
A801.20-19D4375	(0.098)	800-12 T3 08M-C-G	1	800-12 T3 08M-I-G	3	R424.9-180608-22	1	L801-12T3C	1	R801-12T3I	3	R801-1806P	1
A801.20-20D4500	(0.098)	800-12 T3 08M-C-G	1	800-12 T3 08M-I-G	3	R424.9-180608-22	1	L801-12T3C	1	R801-12T3I	3	R801-1806P	1
A801.20-22D5375	(0.098)	800-12 T3 08M-C-G	1	800-08 T3 08M-I-G 800-12 T3 08M-I-G	2 3	R424.9-180608-22	1	L801-12T3C	1	R801-08T3I R801-12T3I	2 3	R801-1806P	1
A801.20-22D5750	(0.098)	800-12 T3 08M-C-G	1	800-08 T3 08M-I-G 800-12 T3 08M-I-G	1 4	R424.9-180608-22	1	L801-12T3C	1	R801-08T3I R801-12T3I	1 4	R801-1806P	1
A801.20-23D6000	(0.098)	800-12 T3 08M-C-G	1	800-08 T3 08M-I-G 800-12 T3 08M-I-G	1 4	R424.9-180608-22	1	L801-12T3C	1	R801-08T3I R801-12T3I	1 4	R801-1806P	1
A801.20-24D6500	(0.098)	800-10 T3 08M-C-G 800-08 T3 08M-C-G	2 2	800-08 T3 08M-I-G 800-12 T3 08M-I-G	6 1	R424.9-180608-22	1	L801-10T3C L801-08T3C	2 2	R801-08T3I R801-12T3I	6 1	R801-1806P	1
801.20-14D0650	0.75	800-12 T3 08M-C-G	1	800-12 T3 08M-I-G	1	R424.9-13T308-22	1	L801-12T3C	1	R801-12T3I	1	R801-13T3P	1
801.20-15D0680	0.75	800-12 T3 08M-C-G	1	800-12 T3 08M-I-G	1	R424.9-13T308-22	1	L801-12T3C	1	R801-12T3I	1	R801-13T3P	1
801.20-15D0700	0.50	800-08 T3 08M-C-G 800-06 T3 08M-C-G	2 1	800-08 T3 08M-I-G	1	R424.9-13T308-22	1	L801-06T3C-2 L801-06T3C	1 1	R801-08T3I	1	R801-13T3P	1
801.20-15D0710	1.50	800-10 T3 08M-C-G	1	800-12 T3 08M-I-G	1	R424.9-180608-22	1	L801-10T3C	1	R801-12T3I	1	R801-1806P	1
801.20-17D0800	2.00	800-08 T3 08M-C-G 800-06 T3 08M-C-G	1 2	800-12 T3 08M-I-G	1	R424.9-180608-22	1	L801-06T3C-2 L801-06T3C	1 1	R801-12T3I	1	R801-1806P	1
801.20-17D0860	2.00	800-08 T3 08M-C-G 800-06 T3 08M-C-G	2 1	800-12 T3 08M-I-G	1	R424.9-180608-22	1	L801-08T3C L801-06T3C	2 1	R801-12T3I	1	R801-1806P	1
801.20-18D0900	2.00	800-08 T3 08M-C-G	3	800-12 T3 08M-I-G	1	R424.9-180608-22	1	L801-08T3C	3	R801-12T3I	1	R801-1806P	1
801.20-18D0940	0.75	800-08 T3 08M-C-G	3	800-12 T3 08M-I-G	1	R424.9-180608-22	1	L801-08T3C	3	R801-12T3I	1	R801-1806P	1
801.20-18D0950	2.00	800-12 T3 08M-C-G	1	800-08 T3 08M-I-G 800-12 T3 08M-I-G	2 1	R424.9-180608-22	1	L801-12T3C	1	R801-08T3I R801-12T3I	2 1	R801-1806P	1
801.20-18D0980	2.00	800-12 T3 08M-C-G	1	800-08 T3 08M-I-G 800-12 T3 08M-I-G	2 1	R424.9-180608-22	1	L801-12T3C	1	R801-08T3I R801-12T3I	2 1	R801-1806P	1
801.20-19D1050	2.50	800-12 T3 08M-C-G	1	800-08 T3 08M-I-G 800-12 T3 08M-I-G	1 2	R424.9-180608-22	1	L801-12T3C	1	R801-08T3I R801-12T3I	1 2	R801-1806P	1
801.20-20D1200	2.50	800-12 T3 08M-C-G	1	800-08 T3 08M-I-G 800-12 T3 08M-I-G	4 1	R424.9-180608-22	1	L801-12T3C	1	R801-08T3I R801-12T3I	4 1	R801-1806P	1
801.20-21D1250	2.50	800-12 T3 08M-C-G	1	800-08 T3 08M-I-G 800-12 T3 08M-I-G	4 1	R424.9-180608-22	1	L801-12T3C	1	R801-08T3I R801-12T3I	4 1	R801-1806P	1
801.20-21D1300	2.50	800-12 T3 08M-C-G	1	800-08 T3 08M-I-G 800-12 T3 08M-I-G	3 2	R424.9-180608-22	1	L801-12T3C	1	R801-08T3I R801-12T3I	3 2	R801-1806P	1
801.20-21D1350	2.50	800-12 T3 08M-C-G	1	800-08 T3 08M-I-G 800-12 T3 08M-I-G	3 2	R424.9-180608-22	1	L801-12T3C	1	R801-08T3I R801-12T3I	3 2	R801-1806P	1
801.20-22D1415	2.50	800-12 T3 08M-C-G	1	800-08 T3 08M-I-G 800-12 T3 08M-I-G	2 3	R424.9-180608-22	1	L801-12T3C	1	R801-08T3I R801-12T3I	2 3	R801-1806P	1
801.20-23D1500	2.50	800-12 T3 08M-C-G	1	800-08 T3 08M-I-G 800-12 T3 08M-I-G	1 4	R424.9-180608-22	1	L801-12T3C	1	R801-08T3I R801-12T3I	1 4	R801-1806P	1
801.20-23D1570	2.50	800-12 T3 08M-C-G	1	800-12 T3 08M-I-G	5	R424.9-180608-22	1	L801-12T3C	1	R801-12T3I	5	R801-1806P	1
801.20-24D1620	2.50	800-12 T3 08M-C-G	1	800-12 T3 08M-I-G	5	R424.9-180608-22	1	L801-12T3C	1	R801-12T3I	5	R801-1806P	1

Haupteinbauhalter	A Wendeplatte	4 Wendeplatten- schraube	16 Schraubendreher	5 Schraube
L801-06T3C	800-06 T3 08M-C-G	5513 020-34	5680 046-01	5513 020-25
L801-08T3C	800-08 T3 08M-C-G	5513 020-34	5680 046-01	5513 020-25
L801-10T3C	800-10 T3 08M-C-G	5513 020-34	5680 046-01	5513 020-26
L801-12T3C	800-12 T3 08M-C-G	5513 020-34	5680 046-01	5513 020-26

Haupteinbauhalter	A Wendeplatte	B Wendeplatte	4 Wendeplattenschraube	16 Schraubendreher
L801-06T3C-2	800-08 T3 08M-C-G	800-06 T3 08M-C-G	5513 020-34	5680 046-01

Zwischeneinbauhalter	A Wendeplatte	4 Wendeplattenschraube	16 Schraubendreher	6 Schraube
R801-08T3I	800-08 T3 08M-I-G	5513 020-34	5680 046-01	5513 020-25
R801-12T3I	800-12 T3 08M-I-G	5513 020-34	5680 046-01	5513 020-26

Außereinbauhalter	A Wendeplatte	7 Wendeplattenschraube	19 Schraubendreher	8 Schraube
R801-13T3P	R424.9-13T308-22	5513 020-24	5680 046-04	3212 010-310
R801-1806P	R424.9-180608-22	5513 020-25	5680 046-02	3212 010-361



Bei weiteren Fragen zu entsprechenden Wendeplatten kontaktieren Sie bitte Ihren Sandvik Coromant Ansprechpartner.

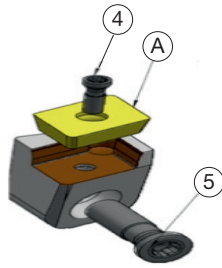
11 Einbauhalter Zwischenlagensatz 5549 128-40 < 70.99 Ø			Zwischen- lagen
Anz.	mm	Größe Zoll	
2	0.1	0.004	5549 128-41
2	0.15	0.006	5549 128-42
1	0.5	0.020	5549 128-43
1	1	0.039	5549 128-44
1	1.5	0.059	5549 128-45

11 Einbauhalter Zwischenlagensatz 5549 128-60 > 71.00 Ø			Zwischen- lagen
Anz.	mm	Größe Zoll	
2	0.1	0.004	5549 128-51
2	0.15	0.006	5549 128-52
1	0.5	0.020	5549 128-53
1	1	0.039	5549 128-54
1	1.5	0.059	5549 128-55
1	0.75	0.029	5549 128-56
1	2	0.079	5549 128-57
1	2.5	0.098	5549 128-58

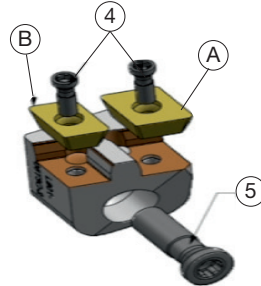
12 Sicherheits-Führungsleiste Zwischenlagensatz 5549 126-90		
Anz.	mm	Größe Zoll
1	0.2	0.008
1	0.5	0.020
1	1	0.039

12 Sicherheits-Führungsleiste Zwischenlagensatz 5549 126-91		
Anz.	mm	Größe Zoll
1	0.2	0.008
1	0.5	0.020
1	1	0.039

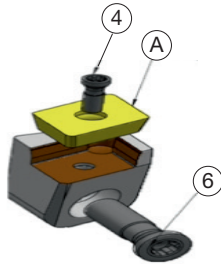
17	Schlüssel
5680 048-01	
5680 048-01	
5680 048-03	
5680 048-03	



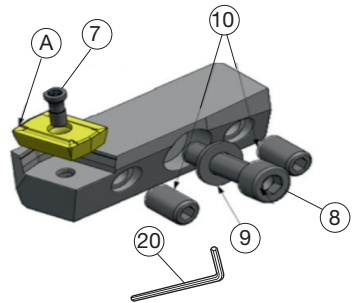
5	17
Schraube	Schlüssel
5513 020-26	5680 048-03



18	Schlüssel
5680 048-01	
5680 048-03	

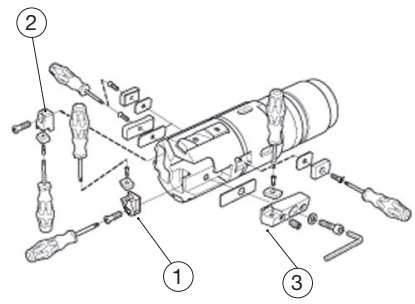
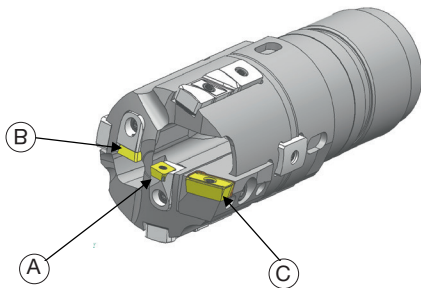


20	9	10
Schlüssel	Unterlegscheibe	Schraube
3021 010-040	3411 011-053	3214 010-357
3021 010-050	3411 011-064	3214 010-357



15			Zwischenlagen
Führungsleiste Zwischenlagensatz			
5549 126-10			Zwischenlagen
Anz.	Größe		
	mm	Zoll	
3	0.05	0.002	5549 126-07
3	0.1	0.004	5549 126-01
3	0.15	0.006	5549 126-04
3	0.2	0.008	5549 126-02
3	0.3	0.012	5549 126-03
3	2	0.079	5549 126-05
3	2.5	0.098	5549 126-06

15			Zwischenlagen
Führungsleiste Zwischenlagensatz			
5549 127-20			Zwischenlagen
Anz.	Größe		
	mm	Zoll	
3	0.05	0.002	5549 127-22
3	0.1	0.004	5549 127-01
3	0.15	0.006	5549 127-21
3	0.2	0.008	5549 127-02
3	0.3	0.012	5549 127-03
3	0.5	0.020	5549 127-04
3	0.75	0.029	5549 127-23
3	1.5	0.059	5549 127-24
3	2	0.079	5549 127-07



*) Quantità da ordinare **) Regolazione radiale

Codice di ordinazione Punta	**) mm (pollici)	Inserti			Cartucce								
		A Insetto centrale	B Insetto intermedio	C Insetto periferico	1 Cartuccia centrale	2 Cartuccia intermedia	3 Cartuccia periferica						
A801.20-14D2625	(0.030)	800-12 T3 08M-C-G	1	800-12 T3 08M-I-G	1	R424.9-13T308-22	1	L801-12T3C	1	R801-12T3I	1	R801-13T3P	1
A801.20-15D2750	(0.020)	800-08 T3 08M-C-G 800-06 T3 08M-C-G	1 2	800-08 T3 08M-I-G	1	R424.9-13T308-22	1	L801-06T3C-2 L801-06T3C	1 1	R801-08T3I	1	R801-13T3P	1
A801.20-16D2875	(0.079)	800-12 T3 08M-C-G	1	800-12 T3 08M-I-G	1	R424.9-180608-22	1	L801-12T3C	1	R801-12T3I	1	R801-1806P	1
A801.20-16D2952	(0.079)	800-12 T3 08M-C-G	1	800-12 T3 08M-I-G	1	R424.9-180608-22	1	L801-12T3C	1	R801-12T3I	1	R801-1806P	1
A801.20-16D3000	(0.079)	800-12 T3 08M-C-G	1	800-12 T3 08M-I-G	1	R424.9-180608-22	1	L801-12T3C	1	R801-12T3I	1	R801-1806P	1
A801.20-17D3187	(0.079)	800-08 T3 08M-C-G 800-06 T3 08M-C-G	1 2	800-12 T3 08M-I-G	1	R424.9-180608-22	1	L801-06T3C-2 L801-06T3C	1 1	R801-12T3I	1	R801-1806P	1
A801.20-17D3250	(0.079)	800-08 T3 08M-C-G 800-06 T3 08M-C-G	1 2	800-12 T3 08M-I-G	1	R424.9-180608-22	1	L801-06T3C-2 L801-06T3C	1 1	R801-12T3I	1	R801-1806P	1
A801.20-18D3500	(0.079)	800-08 T3 08M-C-G 800-06 T3 08M-C-G	2 1	800-12 T3 08M-I-G	1	R424.9-180608-22	1	L801-08T3C L801-06T3C	2 1	R801-12T3I	1	R801-1806P	1
A801.20-19D4000	(0.098)	800-12 T3 08M-C-G	1	800-08 T3 08M-I-G 800-12 T3 08M-I-G	1 2	R424.9-180608-22	1	L801-12T3C	1	R801-08T3I R801-12T3I	1 2	R801-1806P	1
A801.20-19D4250	(0.098)	800-12 T3 08M-C-G	1	800-08 T3 08M-I-G 800-12 T3 08M-I-G	1 2	R424.9-180608-22	1	L801-12T3C	1	R801-08T3I R801-12T3I	1 2	R801-1806P	1
A801.20-19D4375	(0.098)	800-12 T3 08M-C-G	1	800-12 T3 08M-I-G	3	R424.9-180608-22	1	L801-12T3C	1	R801-12T3I	3	R801-1806P	1
A801.20-20D4500	(0.098)	800-12 T3 08M-C-G	1	800-12 T3 08M-I-G	3	R424.9-180608-22	1	L801-12T3C	1	R801-12T3I	3	R801-1806P	1
A801.20-22D5375	(0.098)	800-12 T3 08M-C-G	1	800-08 T3 08M-I-G 800-12 T3 08M-I-G	2 3	R424.9-180608-22	2	L801-12T3C	1	R801-08T3I R801-12T3I	2 3	R801-1806P	1
A801.20-22D5750	(0.098)	800-12 T3 08M-C-G	1	800-08 T3 08M-I-G 800-12 T3 08M-I-G	1 4	R424.9-180608-22	1	L801-12T3C	1	R801-08T3I R801-12T3I	1 4	R801-1806P	1
A801.20-23D6000	(0.098)	800-12 T3 08M-C-G	1	800-08 T3 08M-I-G 800-12 T3 08M-I-G	1 4	R424.9-180608-22	1	L801-12T3C	1	R801-08T3I R801-12T3I	1 4	R801-1806P	1
A801.20-24D6500	(0.098)	800-10 T3 08M-C-G 800-08 T3 08M-C-G	2 2	800-08 T3 08M-I-G 800-12 T3 08M-I-G	6 1	R424.9-180608-22	1	L801-10T3C L801-08T3C	1 2	R801-08T3I R801-12T3I	6 1	R801-1806P	1
801.20-14D0650	0.75	800-12 T3 08M-C-G	1	800-12 T3 08M-I-G	1	R424.9-13T308-22	1	L801-12T3C	1	R801-12T3I	1	R801-13T3P	1
801.20-15D0680	0.75	800-12 T3 08M-C-G	1	800-12 T3 08M-I-G	1	R424.9-13T308-22	1	L801-12T3C	1	R801-12T3I	1	R801-13T3P	1
801.20-15D0700	0.50	800-08 T3 08M-C-G 800-06 T3 08M-C-G	2 1	800-08 T3 08M-I-G	1	R424.9-13T308-22	1	L801-06T3C-2 L801-06T3C	1 1	R801-08T3I	1	R801-13T3P	1
801.20-15D0710	1.50	800-10 T3 08M-C-G	1	800-12 T3 08M-I-G	1	R424.9-180608-22	1	L801-10T3C	1	R801-12T3I	1	R801-1806P	1
801.20-17D0800	2.00	800-08 T3 08M-C-G 800-06 T3 08M-C-G	2 2	800-12 T3 08M-I-G	1	R424.9-180608-22	1	L801-06T3C-2 L801-06T3C	2 1	R801-12T3I	1	R801-1806P	1
801.20-17D0860	2.00	800-08 T3 08M-C-G 800-06 T3 08M-C-G	2 1	800-12 T3 08M-I-G	1	R424.9-180608-22	1	L801-08T3C L801-06T3C	2 1	R801-12T3I	1	R801-1806P	1
801.20-18D0900	2.00	800-08 T3 08M-C-G	3	800-12 T3 08M-I-G	1	R424.9-180608-22	1	L801-08T3C	3	R801-12T3I	1	R801-1806P	1
801.20-18D0940	0.75	800-08 T3 08M-C-G	3	800-12 T3 08M-I-G	1	R424.9-180608-22	1	L801-08T3C	3	R801-12T3I	1	R801-1806P	1
801.20-18D0950	2.00	800-12 T3 08M-C-G	1	800-08 T3 08M-I-G 800-12 T3 08M-I-G	2 1	R424.9-180608-22	1	L801-12T3C	1	R801-08T3I R801-12T3I	2 1	R801-1806P	1
801.20-18D0980	2.00	800-12 T3 08M-C-G	1	800-08 T3 08M-I-G 800-12 T3 08M-I-G	2 1	R424.9-180608-22	1	L801-12T3C	1	R801-08T3I R801-12T3I	2 1	R801-1806P	1
801.20-19D1050	2.50	800-12 T3 08M-C-G	1	800-08 T3 08M-I-G 800-12 T3 08M-I-G	1 2	R424.9-180608-22	1	L801-12T3C	1	R801-08T3I R801-12T3I	1 2	R801-1806P	1
801.20-20D1200	2.50	800-12 T3 08M-C-G	1	800-08 T3 08M-I-G 800-12 T3 08M-I-G	4 1	R424.9-180608-22	1	L801-12T3C	1	R801-08T3I R801-12T3I	4 1	R801-1806P	1
801.20-21D1250	2.50	800-12 T3 08M-C-G	1	800-08 T3 08M-I-G 800-12 T3 08M-I-G	4 1	R424.9-180608-22	1	L801-12T3C	1	R801-08T3I R801-12T3I	4 1	R801-1806P	1
801.20-21D1300	2.50	800-12 T3 08M-C-G	1	800-08 T3 08M-I-G 800-12 T3 08M-I-G	3 2	R424.9-180608-22	1	L801-12T3C	1	R801-08T3I R801-12T3I	3 2	R801-1806P	1
801.20-21D1350	2.50	800-12 T3 08M-C-G	1	800-08 T3 08M-I-G 800-12 T3 08M-I-G	3 2	R424.9-180608-22	1	L801-12T3C	1	R801-08T3I R801-12T3I	3 2	R801-1806P	1
801.20-22D1415	2.50	800-12 T3 08M-C-G	1	800-08 T3 08M-I-G 800-12 T3 08M-I-G	2 3	R424.9-180608-22	1	L801-12T3C	1	R801-08T3I R801-12T3I	2 3	R801-1806P	1
801.20-23D1500	2.50	800-12 T3 08M-C-G	1	800-08 T3 08M-I-G 800-12 T3 08M-I-G	1 4	R424.9-180608-22	1	L801-12T3C	1	R801-08T3I R801-12T3I	1 4	R801-1806P	1
801.20-23D1570	2.50	800-12 T3 08M-C-G	1	800-12 T3 08M-I-G	5	R424.9-180608-22	1	L801-12T3C	1	R801-12T3I	5	R801-1806P	1
801.20-24D1620	2.50	800-12 T3 08M-C-G	1	800-12 T3 08M-I-G	5	R424.9-180608-22	1	L801-12T3C	1	R801-12T3I	5	R801-1806P	1

Cartuccia centrale	A Inserto	4 Vite dell'inserto	16 Cacciavite	5 Vite
L801-06T3C	800-06 T3 08M-C-G	5513 020-34	5680 046-01	5513 020-25
L801-08T3C	800-08 T3 08M-C-G	5513 020-34	5680 046-01	5513 020-25
L801-10T3C	800-10 T3 08M-C-G	5513 020-34	5680 046-01	5513 020-26
L801-12T3C	800-12 T3 08M-C-G	5513 020-34	5680 046-01	5513 020-26

Cartuccia centrale	A Inserto	B Inserto	4 Vite dell'inserto	16 Cacciavite
L801-06T3C-2	800-08 T3 08M-C-G	800-06 T3 08M-C-G	5513 020-34	5680 046-01

Cartuccia intermedia	A Inserto	4 Vite dell'inserto	16 Cacciavite	6 Vite
R801-08T3I	800-08 T3 08M-I-G	5513 020-34	5680 046-01	5513 020-25
R801-12T3I	800-12 T3 08M-I-G	5513 020-34	5680 046-01	5513 020-26

Cartuccia periferica	A Inserto	7 Vite dell'inserto	19 Cacciavite	8 Vite
R801-13T3P	R424.9-13T308-22	5513 020-24	5680 046-04	3212 010-310
R801-1806P	R424.9-180608-22	5513 020-25	5680 046-02	3212 010-361



Contattare il tecnico di vendita locale di Sandvik Coromant per ulteriori informazioni riguardanti gli inserti appropriati.

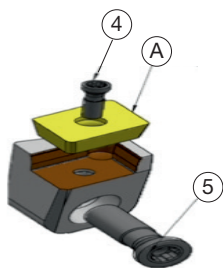
11 Set di supporti per cartuccia 5549 128-40 < 70.99 Ø			Spessori singoli
Pezzi	Dimensioni		
	mm	Pollici	
2	0.1	0.004	5549 128-41
2	0.15	0.006	5549 128-42
1	0.5	0.020	5549 128-43
1	1	0.039	5549 128-44
1	1.5	0.059	5549 128-45

11 Set di supporti per cartuccia 5549 128-60 > 71.00 Ø			Spessori singoli
Pezzi	Dimensioni		
	mm	Pollici	
2	0.1	0.004	5549 128-51
2	0.15	0.006	5549 128-52
1	0.5	0.020	5549 128-53
1	1	0.039	5549 128-54
1	1.5	0.059	5549 128-55
1	0.75	0.029	5549 128-56
1	2	0.079	5549 128-57
1	2.5	0.098	5549 128-58

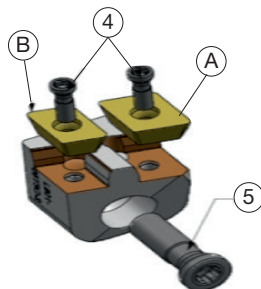
12 Set di supporti per pattino di sicurezza 5549 126-90		
Pezzi	Dimensioni	
	mm	Pollici
1	0.2	0.008
1	0.5	0.020
1	1	0.039

12 Set di supporti per pattino di sicurezza 5549 126-91		
Pezzi	Dimensioni	
	mm	Pollici
1	0.2	0.008
1	0.5	0.020
1	1	0.039

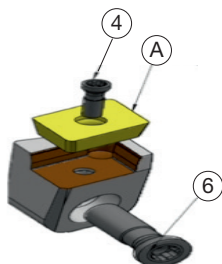
17	Chiave
5680 048-01	
5680 048-01	
5680 048-03	
5680 048-03	



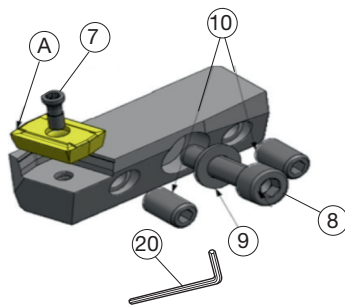
5	17
Vite	Chiave
5513 020-26	5680 048-03



18	Chiave
5680 048-01	
5680 048-03	

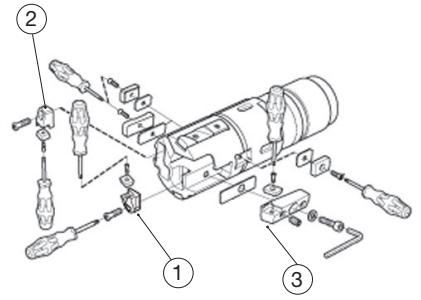
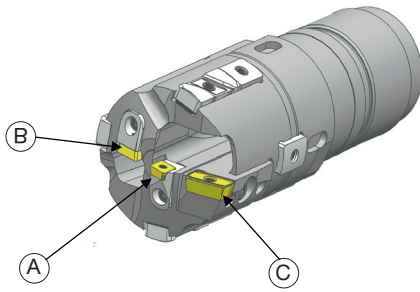


20	9	10
Chiave	Rondella	Vite
3021 010-040	3411 011-053	3214 010-357
3021 010-050	3411 011-064	3214 010-357



15 Set di supporti per pattino 5549 126-10			Spessori singoli
Pezzi	Dimensioni		
	mm	Pollici	
3	0.05	0.002	5549 126-07
3	0.1	0.004	5549 126-01
3	0.15	0.006	5549 126-04
3	0.2	0.008	5549 126-02
3	0.3	0.012	5549 126-03
3	2	0.079	5549 126-05
3	2.5	0.098	5549 126-06

15 Set di supporti per pattino 5549 127-20			Spessori singoli
Pezzi	Dimensioni		
	mm	Pollici	
3	0.05	0.002	5549 127-22
3	0.1	0.004	5549 127-01
3	0.15	0.006	5549 127-21
3	0.2	0.008	5549 127-02
3	0.3	0.012	5549 127-03
3	0.5	0.020	5549 127-04
3	0.75	0.029	5549 127-23
3	1.5	0.059	5549 127-24
3	2	0.079	5549 127-07



*) 必要数 **) シムによる径調整

型番 ドリルヘッド	**) mm (inch)	チップ			カートリッジ								
		A 中心刃	B 中間刃	C 外周刃	1 中心カートリッジ	2 中間カートリッジ	3 外周カートリッジ						
A801.20-14D2625	(0.030)	800-12 T3 08M-C-G	1	800-12 T3 08M-I-G	1	R424.9-13T308-22	1	L801-12T3C	1	R801-12T3I	1	R801-13T3P	1
A801.20-15D2750	(0.020)	800-08 T3 08M-C-G	1	800-08 T3 08M-I-G	1	R424.9-13T308-22	1	L801-06T3C-2	1	R801-08T3I	1	R801-13T3P	1
A801.20-16D2875	(0.079)	800-12 T3 08M-C-G	1	800-12 T3 08M-I-G	1	R424.9-180608-22	1	L801-12T3C	1	R801-12T3I	1	R801-1806P	1
A801.20-16D2952	(0.079)	800-12 T3 08M-C-G	1	800-12 T3 08M-I-G	1	R424.9-180608-22	1	L801-12T3C	1	R801-12T3I	1	R801-1806P	1
A801.20-16D3000	(0.079)	800-12 T3 08M-C-G	1	800-12 T3 08M-I-G	1	R424.9-180608-22	1	L801-12T3C	1	R801-12T3I	1	R801-1806P	1
A801.20-17D3187	(0.079)	800-08 T3 08M-C-G	1	800-12 T3 08M-I-G	1	R424.9-180608-22	1	L801-06T3C-2	1	R801-12T3I	1	R801-1806P	1
A801.20-17D3250	(0.079)	800-08 T3 08M-C-G	1	800-12 T3 08M-I-G	1	R424.9-180608-22	1	L801-06T3C-2	1	R801-12T3I	1	R801-1806P	1
A801.20-18D3500	(0.079)	800-08 T3 08M-C-G	2	800-12 T3 08M-I-G	1	R424.9-180608-22	1	L801-08T3C	2	R801-12T3I	1	R801-1806P	1
A801.20-19D4000	(0.098)	800-12 T3 08M-C-G	1	800-08 T3 08M-I-G	1	R424.9-180608-22	1	L801-12T3C	1	R801-08T3I	1	R801-1806P	1
A801.20-19D4250	(0.098)	800-12 T3 08M-C-G	1	800-12 T3 08M-I-G	2	R424.9-180608-22	1	L801-12T3C	1	R801-12T3I	2	R801-1806P	1
A801.20-19D4375	(0.098)	800-12 T3 08M-C-G	1	800-08 T3 08M-I-G	3	R424.9-180608-22	1	L801-12T3C	1	R801-08T3I	3	R801-1806P	1
A801.20-20D4500	(0.098)	800-12 T3 08M-C-G	1	800-12 T3 08M-I-G	3	R424.9-180608-22	1	L801-12T3C	1	R801-12T3I	3	R801-1806P	1
A801.20-22D5375	(0.098)	800-12 T3 08M-C-G	1	800-08 T3 08M-I-G	2	R424.9-180608-22	1	L801-12T3C	1	R801-08T3I	2	R801-1806P	1
A801.20-22D5750	(0.098)	800-12 T3 08M-C-G	1	800-08 T3 08M-I-G	4	R424.9-180608-22	1	L801-12T3C	1	R801-08T3I	4	R801-1806P	1
A801.20-23D6000	(0.098)	800-12 T3 08M-C-G	1	800-08 T3 08M-I-G	4	R424.9-180608-22	1	L801-12T3C	1	R801-08T3I	4	R801-1806P	1
A801.20-24D6500	(0.098)	800-10 T3 08M-C-G	1	800-08 T3 08M-I-G	6	R424.9-180608-22	1	L801-10T3C	1	R801-08T3I	6	R801-1806P	1
A801.20-14D0650	0.75	800-12 T3 08M-C-G	1	800-12 T3 08M-I-G	1	R424.9-13T308-22	1	L801-12T3C	1	R801-12T3I	1	R801-13T3P	1
801.20-15D0680	0.75	800-12 T3 08M-C-G	1	800-12 T3 08M-I-G	1	R424.9-13T308-22	1	L801-12T3C	1	R801-12T3I	1	R801-13T3P	1
801.20-15D0700	0.50	800-08 T3 08M-C-G	2	800-08 T3 08M-I-G	1	R424.9-13T308-22	1	L801-06T3C-2	1	R801-08T3I	1	R801-13T3P	1
801.20-15D0710	1.50	800-10 T3 08M-C-G	1	800-12 T3 08M-I-G	1	R424.9-180608-22	1	L801-10T3C	1	R801-12T3I	1	R801-1806P	1
801.20-17D0800	2.00	800-08 T3 08M-C-G	1	800-12 T3 08M-I-G	1	R424.9-180608-22	1	L801-06T3C-2	1	R801-12T3I	1	R801-1806P	1
801.20-17D0860	2.00	800-08 T3 08M-C-G	2	800-12 T3 08M-I-G	1	R424.9-180608-22	1	L801-08T3C	2	R801-12T3I	1	R801-1806P	1
801.20-18D0900	2.00	800-08 T3 08M-C-G	3	800-12 T3 08M-I-G	1	R424.9-180608-22	1	L801-08T3C	3	R801-12T3I	1	R801-1806P	1
801.20-18D0940	0.75	800-08 T3 08M-C-G	3	800-12 T3 08M-I-G	1	R424.9-180608-22	1	L801-08T3C	3	R801-12T3I	1	R801-1806P	1
801.20-18D0950	2.00	800-12 T3 08M-C-G	1	800-08 T3 08M-I-G	2	R424.9-180608-22	1	L801-12T3C	1	R801-08T3I	2	R801-1806P	1
801.20-18D0980	2.00	800-12 T3 08M-C-G	1	800-08 T3 08M-I-G	2	R424.9-180608-22	1	L801-12T3C	1	R801-08T3I	2	R801-1806P	1
801.20-19D1050	2.50	800-12 T3 08M-C-G	1	800-08 T3 08M-I-G	2	R424.9-180608-22	1	L801-12T3C	1	R801-08T3I	2	R801-1806P	1
801.20-20D1200	2.50	800-12 T3 08M-C-G	1	800-08 T3 08M-I-G	4	R424.9-180608-22	1	L801-12T3C	1	R801-08T3I	4	R801-1806P	1
801.20-21D1250	2.50	800-12 T3 08M-C-G	1	800-08 T3 08M-I-G	4	R424.9-180608-22	1	L801-12T3C	1	R801-08T3I	4	R801-1806P	1
801.20-21D1300	2.50	800-12 T3 08M-C-G	1	800-08 T3 08M-I-G	3	R424.9-180608-22	1	L801-12T3C	1	R801-08T3I	3	R801-1806P	1
801.20-21D1350	2.50	800-12 T3 08M-C-G	1	800-08 T3 08M-I-G	3	R424.9-180608-22	1	L801-12T3C	1	R801-08T3I	3	R801-1806P	1
801.20-22D1415	2.50	800-12 T3 08M-C-G	1	800-08 T3 08M-I-G	2	R424.9-180608-22	1	L801-12T3C	1	R801-08T3I	2	R801-1806P	1
801.20-23D1500	2.50	800-12 T3 08M-C-G	1	800-08 T3 08M-I-G	4	R424.9-180608-22	1	L801-12T3C	1	R801-08T3I	4	R801-1806P	1
801.20-23D1570	2.50	800-12 T3 08M-C-G	1	800-12 T3 08M-I-G	5	R424.9-180608-22	1	L801-12T3C	1	R801-12T3I	5	R801-1806P	1
801.20-24D1620	2.50	800-12 T3 08M-C-G	1	800-12 T3 08M-I-G	5	R424.9-180608-22	1	L801-12T3C	1	R801-12T3I	5	R801-1806P	1

中心カートリッジ	A チップ	4 チップスクリュー	16 レンチ	5 スクリュー
L801-06T3C	800-06 T3 08M-C-G	5513 020-34	5680 046-01	5513 020-25
L801-08T3C	800-08 T3 08M-C-G	5513 020-34	5680 046-01	5513 020-25
L801-10T3C	800-10 T3 08M-C-G	5513 020-34	5680 046-01	5513 020-26
L801-12T3C	800-12 T3 08M-C-G	5513 020-34	5680 046-01	5513 020-26

中心カートリッジ	A チップ	B チップ	4 チップスクリュー	16 レンチ
L801-06T3C-2	800-08 T3 08M-C-G	800-06 T3 08M-C-G	5513 020-34	5680 046-01

中間カートリッジ	A チップ	4 チップスクリュー	16 レンチ	6 スクリュー
R801-08T3I	800-08 T3 08M-I-G	5513 020-34	5680 046-01	5513 020-25
R801-12T3I	800-12 T3 08M-I-G	5513 020-34	5680 046-01	5513 020-26

外周カートリッジ	A チップ	7 チップスクリュー	19 レンチ	8 スクリュー
R801-13T3P	R424.9-13T308-22	5513 020-24	5680 046-04	3212 010-310
R801-1806P	R424.9-180608-22	5513 020-25	5680 046-02	3212 010-361



チップに関する詳細は、最寄のサンドビック・コロマント営業所にお問い合わせください。

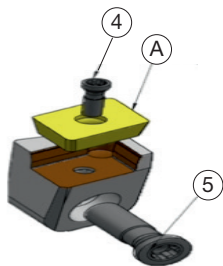
11 カートリッジシムセット 5549 128-40 < 70.99 Ø			シム単品
個数	サイズ		
	mm	Inch	
2	0.1	0.004	5549 128-41
2	0.15	0.006	5549 128-42
1	0.5	0.020	5549 128-43
1	1	0.039	5549 128-44
1	1.5	0.059	5549 128-45

11 カートリッジシムセット 5549 128-60 > 71.00 Ø			シム単品
Pcs	Size		
	mm	Inch	
2	0.1	0.004	5549 128-51
2	0.15	0.006	5549 128-52
1	0.5	0.020	5549 128-53
1	1	0.039	5549 128-54
1	1.5	0.059	5549 128-55
1	0.75	0.029	5549 128-56
1	2	0.079	5549 128-57
1	2.5	0.098	5549 128-58

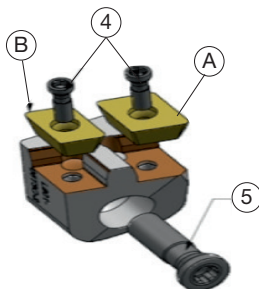
12 セーフティパッドシムセット 5549 126-90		
個数	サイズ	
	mm	Inch
1	0.2	0.008
1	0.5	0.020
1	1	0.039

12 セーフティパッドシムセット 5549 126-91		
個数	サイズ	
	mm	Inch
1	0.2	0.008
1	0.5	0.020
1	1	0.039

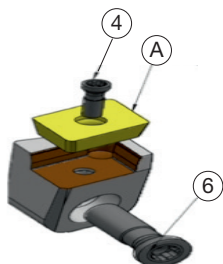
17 レンチ
5680 048-01
5680 048-01
5680 048-03
5680 048-03



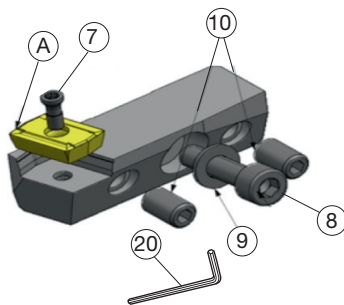
5 スクリュー	17 レンチ
5513 020-26	5680 048-03



18 レンチ
5680 048-01
5680 048-03

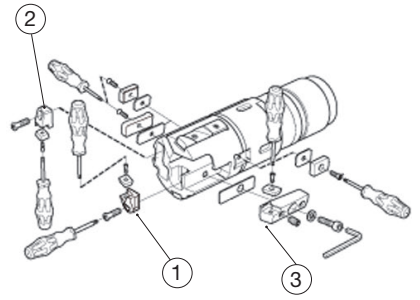
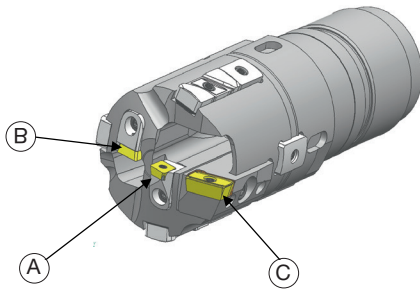


20 レンチ	9 ワッシャー	10 スクリュー
3021 010-040	3411 011-053	3214 010-357
3021 010-050	3411 011-064	3214 010-357



個数	サイズ		シム単品
	mm	Inch	
3	0.05	0.002	5549 126-07
3	0.1	0.004	5549 126-01
3	0.15	0.006	5549 126-04
3	0.2	0.008	5549 126-02
3	0.3	0.012	5549 126-03
3	2	0.079	5549 126-05
3	2.5	0.098	5549 126-06

個数	サイズ		シム単品
	mm	Inch	
3	0.05	0.002	5549 127-22
3	0.1	0.004	5549 127-01
3	0.15	0.006	5549 127-21
3	0.2	0.008	5549 127-02
3	0.3	0.012	5549 127-03
3	0.5	0.020	5549 127-04
3	0.75	0.029	5549 127-23
3	1.5	0.059	5549 127-24
3	2	0.079	5549 127-07



*) Quantidade **) Ajuste radial

Código para pedido Cabeça de broca	**) mm (pol.)	Pastilhas			Cápsula								
		A Pastilha central	B Pastilha intermediária	C Pastilha periférica	1 Cápsula central	2 Cápsula intermediária	3 Cápsula periférica						
A801.20-14D2625	(0.030)	800-12 T3 08M-C-G	1	800-12 T3 08M-I-G	1	R424.9-13T308-22	1	L801-12T3C	1	R801-12T3I	1	R801-13T3P	1
A801.20-15D2750	(0.020)	800-08 T3 08M-C-G 800-06 T3 08M-C-G	1 2	800-08 T3 08M-I-G	1	R424.9-13T308-22	1	L801-06T3C-2 L801-06T3C	1 1	R801-08T3I	1	R801-13T3P	1
A801.20-16D2875	(0.079)	800-12 T3 08M-C-G	1	800-12 T3 08M-I-G	1	R424.9-180608-22	1	L801-12T3C	1	R801-12T3I	1	R801-1806P	1
A801.20-16D2952	(0.079)	800-12 T3 08M-C-G	1	800-12 T3 08M-I-G	1	R424.9-180608-22	1	L801-12T3C	1	R801-12T3I	1	R801-1806P	1
A801.20-16D3000	(0.079)	800-12 T3 08M-C-G	1	800-12 T3 08M-I-G	1	R424.9-180608-22	1	L801-12T3C	1	R801-12T3I	1	R801-1806P	1
A801.20-17D3187	(0.079)	800-08 T3 08M-C-G 800-06 T3 08M-C-G	1 2	800-12 T3 08M-I-G	1	R424.9-180608-22	1	L801-06T3C-2 L801-06T3C	1 1	R801-12T3I	1	R801-1806P	1
A801.20-17D3250	(0.079)	800-08 T3 08M-C-G 800-06 T3 08M-C-G	1 2	800-12 T3 08M-I-G	1	R424.9-180608-22	1	L801-06T3C-2 L801-06T3C	1 1	R801-12T3I	1	R801-1806P	1
A801.20-18D3500	(0.079)	800-08 T3 08M-C-G 800-06 T3 08M-C-G	2 1	800-12 T3 08M-I-G	1	R424.9-180608-22	1	L801-08T3C L801-06T3C	1 1	R801-12T3I	1	R801-1806P	1
A801.20-19D4000	(0.098)	800-12 T3 08M-C-G	1	800-08 T3 08M-I-G 800-12 T3 08M-I-G	1 2	R424.9-180608-22	1	L801-12T3C	1	R801-08T3I R801-12T3I	1 2	R801-1806P	1
A801.20-19D4250	(0.098)	800-12 T3 08M-C-G	1	800-08 T3 08M-I-G 800-12 T3 08M-I-G	1 2	R424.9-180608-22	1	L801-12T3C	1	R801-08T3I R801-12T3I	1 2	R801-1806P	1
A801.20-19D4375	(0.098)	800-12 T3 08M-C-G	1	800-12 T3 08M-I-G	3	R424.9-180608-22	1	L801-12T3C	1	R801-12T3I	3	R801-1806P	1
A801.20-20D4500	(0.098)	800-12 T3 08M-C-G	1	800-12 T3 08M-I-G	3	R424.9-180608-22	1	L801-12T3C	1	R801-12T3I	3	R801-1806P	1
A801.20-22D5375	(0.098)	800-12 T3 08M-C-G	1	800-08 T3 08M-I-G 800-12 T3 08M-I-G	2 3	R424.9-180608-22	1	L801-12T3C	1	R801-08T3I R801-12T3I	2 3	R801-1806P	1
A801.20-22D5750	(0.098)	800-12 T3 08M-C-G	1	800-08 T3 08M-I-G 800-12 T3 08M-I-G	1 4	R424.9-180608-22	1	L801-12T3C	1	R801-08T3I R801-12T3I	1 4	R801-1806P	1
A801.20-23D6000	(0.098)	800-12 T3 08M-C-G	1	800-08 T3 08M-I-G 800-12 T3 08M-I-G	1 4	R424.9-180608-22	1	L801-12T3C	1	R801-08T3I R801-12T3I	1 4	R801-1806P	1
A801.20-24D6500	(0.098)	800-10 T3 08M-C-G 800-08 T3 08M-C-G	2 2	800-08 T3 08M-I-G 800-12 T3 08M-I-G	6 1	R424.9-180608-22	1	L801-10T3C L801-08T3C	1	R801-08T3I R801-12T3I	6 1	R801-1806P	1
801.20-14D0650	0.75	800-12 T3 08M-C-G	1	800-12 T3 08M-I-G	1	R424.9-13T308-22	1	L801-12T3C	1	R801-12T3I	1	R801-13T3P	1
801.20-15D0680	0.75	800-12 T3 08M-C-G	1	800-12 T3 08M-I-G	1	R424.9-13T308-22	1	L801-12T3C	1	R801-12T3I	1	R801-13T3P	1
801.20-15D0700	0.50	800-08 T3 08M-C-G 800-06 T3 08M-C-G	2 1	800-08 T3 08M-I-G	1	R424.9-13T308-22	1	L801-06T3C-2 L801-06T3C	1	R801-08T3I	1	R801-13T3P	1
801.20-15D0710	1.50	800-10 T3 08M-C-G	1	800-12 T3 08M-I-G	1	R424.9-180608-22	1	L801-10T3C	1	R801-12T3I	1	R801-1806P	1
801.20-17D0800	2.00	800-08 T3 08M-C-G 800-06 T3 08M-C-G	1 2	800-12 T3 08M-I-G	1	R424.9-180608-22	1	L801-06T3C-2 L801-06T3C	1 1	R801-12T3I	1	R801-1806P	1
801.20-17D0860	2.00	800-08 T3 08M-C-G 800-06 T3 08M-C-G	2 1	800-12 T3 08M-I-G	1	R424.9-180608-22	1	L801-08T3C L801-06T3C	2 1	R801-12T3I	1	R801-1806P	1
801.20-18D0900	2.00	800-08 T3 08M-C-G	3	800-12 T3 08M-I-G	1	R424.9-180608-22	1	L801-08T3C	3	R801-12T3I	1	R801-1806P	1
801.20-18D0940	0.75	800-08 T3 08M-C-G	3	800-12 T3 08M-I-G	1	R424.9-180608-22	1	L801-08T3C	3	R801-12T3I	1	R801-1806P	1
801.20-18D0950	2.00	800-12 T3 08M-C-G	1	800-08 T3 08M-I-G 800-12 T3 08M-I-G	2 1	R424.9-180608-22	1	L801-12T3C	1	R801-08T3I R801-12T3I	2 1	R801-1806P	1
801.20-18D0980	2.00	800-12 T3 08M-C-G	1	800-08 T3 08M-I-G 800-12 T3 08M-I-G	2 1	R424.9-180608-22	1	L801-12T3C	1	R801-08T3I R801-12T3I	2 1	R801-1806P	1
801.20-19D1050	2.50	800-12 T3 08M-C-G	1	800-08 T3 08M-I-G 800-12 T3 08M-I-G	1 2	R424.9-180608-22	1	L801-12T3C	1	R801-08T3I R801-12T3I	1 2	R801-1806P	1
801.20-20D1200	2.50	800-12 T3 08M-C-G	1	800-08 T3 08M-I-G 800-12 T3 08M-I-G	4 1	R424.9-180608-22	1	L801-12T3C	1	R801-08T3I R801-12T3I	4 1	R801-1806P	1
801.20-21D1250	2.50	800-12 T3 08M-C-G	1	800-08 T3 08M-I-G 800-12 T3 08M-I-G	4 1	R424.9-180608-22	1	L801-12T3C	1	R801-08T3I R801-12T3I	4 1	R801-1806P	1
801.20-21D1300	2.50	800-12 T3 08M-C-G	1	800-08 T3 08M-I-G 800-12 T3 08M-I-G	3 2	R424.9-180608-22	1	L801-12T3C	1	R801-08T3I R801-12T3I	3 2	R801-1806P	1
801.20-21D1350	2.50	800-12 T3 08M-C-G	1	800-08 T3 08M-I-G 800-12 T3 08M-I-G	3 2	R424.9-180608-22	1	L801-12T3C	1	R801-08T3I R801-12T3I	3 2	R801-1806P	1
801.20-22D1415	2.50	800-12 T3 08M-C-G	1	800-08 T3 08M-I-G 800-12 T3 08M-I-G	2 3	R424.9-180608-22	1	L801-12T3C	1	R801-08T3I R801-12T3I	2 3	R801-1806P	1
801.20-23D1500	2.50	800-12 T3 08M-C-G	1	800-08 T3 08M-I-G 800-12 T3 08M-I-G	1 4	R424.9-180608-22	1	L801-12T3C	1	R801-08T3I R801-12T3I	1 4	R801-1806P	1
801.20-23D1570	2.50	800-12 T3 08M-C-G	1	800-12 T3 08M-I-G	5	R424.9-180608-22	1	L801-12T3C	1	R801-12T3I	5	R801-1806P	1
801.20-24D1620	2.50	800-12 T3 08M-C-G	1	800-12 T3 08M-I-G	5	R424.9-180608-22	1	L801-12T3C	1	R801-12T3I	5	R801-1806P	1

Cápsula central	A Pastilha	4 Parafuso da pastilha	16 Chave (Torx Plus)	5 Parafuso
L801-06T3C	800-06 T3 08M-C-G	5513 020-34	5680 046-01	5513 020-25
L801-08T3C	800-08 T3 08M-C-G	5513 020-34	5680 046-01	5513 020-25
L801-10T3C	800-10 T3 08M-C-G	5513 020-34	5680 046-01	5513 020-26
L801-12T3C	800-12 T3 08M-C-G	5513 020-34	5680 046-01	5513 020-26

Cápsula central	A Pastilha	B Pastilha	4 Parafuso da pastilha	16 Chave (Torx Plus)
L801-06T3C-2	800-08 T3 08M-C-G	800-06 T3 08M-C-G	5513 020-34	5680 046-01

Cápsula intermediária	A Pastilha	4 Parafuso da pastilha	16 Chave (Torx Plus)	6 Parafuso
R801-08T3I	800-08 T3 08M-I-G	5513 020-34	5680 046-01	5513 020-25
R801-12T3I	800-12 T3 08M-I-G	5513 020-34	5680 046-01	5513 020-26

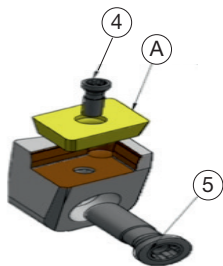
Cápsula periférica	A Pastilha	7 Parafuso da pastilha	19 Chave (Torx Plus)	8 Parafuso
R801-13T3P	R424.9-13T308-22	5513 020-24	5680 046-04	3212 010-310
R801-1806P	R424.9-180608-22	5513 020-25	5680 046-02	3212 010-361



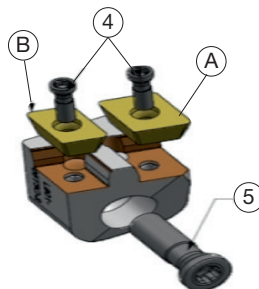
Entre em contato com seu representante Sandvik Coromant local para mais informações sobre pastilhas apropriadas.

11 Jogo de calço para cápsula 5549 128-40 < 70.99 Ø	Calços individuais		11 Jogo de calço para cápsula 5549 128-60 > 71.00 Ø	Calços individuais		12 Jogo de calço para guia de segurança 5549 126-90	Tamanho			
	Peças	Tamanho		Peças	Tamanho		mm	Pol.	mm	Pol.
	mm	Pol.		mm	Pol.					
2	0.1	0.004	5549 128-41	2	0.1	0.004	5549 128-51	1	0.2	0.008
2	0.15	0.006	5549 128-42	2	0.15	0.006	5549 128-52	1	0.5	0.020
1	0.5	0.020	5549 128-43	1	0.5	0.020	5549 128-53	1	1	0.039
1	1	0.039	5549 128-44	1	1	0.039	5549 128-54			
1	1.5	0.059	5549 128-45	1	1.5	0.059	5549 128-55			
				1	0.75	0.029	5549 128-56			
				1	2	0.079	5549 128-57			
				1	2.5	0.098	5549 128-58			
								12 Jogo de calço para guia de segurança 5549 126-91	Tamanho	
								Peças	mm	Pol.
								1	0.2	0.008
								1	0.5	0.020
								1	1	0.039

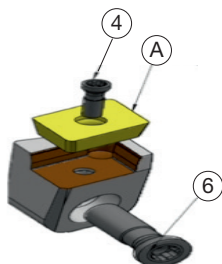
17	Chave (mm)
5680 048-01	
5680 048-01	
5680 048-03	
5680 048-03	



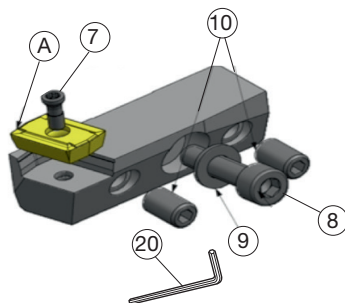
5	Parafuso	17	Chave (mm)
5513 020-26		5680 048-03	



18	Chave (mm)
5680 048-01	
5680 048-03	

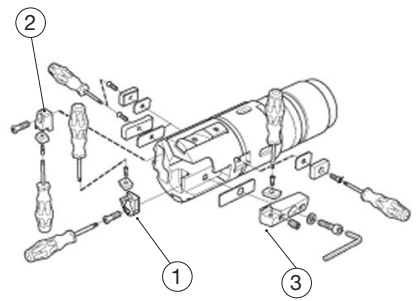
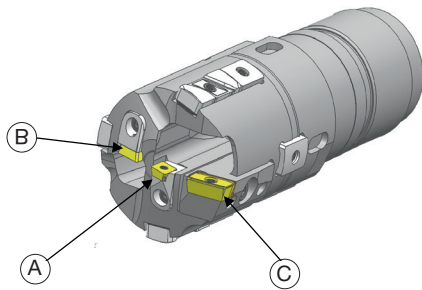


20	Chave (mm)	9	Arruela	10	Parafuso
3021 010-040		3411 011-053		3214 010-357	
3021 010-050		3411 011-064		3214 010-357	



15 Jogo de calço da guia 5549 126-10			Calços individuais
Peças	Tamanho		
	mm	Pol.	
3	0.05	0.002	5549 126-07
3	0.1	0.004	5549 126-01
3	0.15	0.006	5549 126-04
3	0.2	0.008	5549 126-02
3	0.3	0.012	5549 126-03
3	2	0.079	5549 126-05
3	2.5	0.098	5549 126-06

15 Jogo de calço da guia 5549 127-20			Calços individuais
Peças	Tamanho		
	mm	Pol.	
3	0.05	0.002	5549 127-22
3	0.1	0.004	5549 127-01
3	0.15	0.006	5549 127-21
3	0.2	0.008	5549 127-02
3	0.3	0.012	5549 127-03
3	0.5	0.020	5549 127-04
3	0.75	0.029	5549 127-23
3	1.5	0.059	5549 127-24
3	2	0.079	5549 127-07



*) Количество **) Радиальная регулировка

Код заказа Свертильная головка	**) мм (дюйм)	Пластины				Резцовые вставки							
		А Центральная пластина	*) В Промежуточная пластина	*) С Периферийная пластина	*) 1 Центральная резцовая вставка	*) 2 Промежуточная резцовая вставка	*) 3 Периферийная резцовая вставка	*)					
A801.20-14D2625	(0.030)	800-12 Т3 08М-С-С	1	800-12 Т3 08М-I-С	1	R424.9-13Т308-22	1	L801-12Т3С	1	R801-12Т3И	1	R801-13Т3Р	1
A801.20-15D2750	(0.020)	800-08 Т3 08М-С-С 800-06 Т3 08М-С-С	1 2	800-08 Т3 08М-I-С	1	R424.9-13Т308-22	1	L801-06Т3С-2 L801-06Т3С	1 1	R801-08Т3И	1	R801-13Т3Р	1
A801.20-16D2875	(0.079)	800-12 Т3 08М-С-С	1	800-12 Т3 08М-I-С	1	R424.9-180608-22	1	L801-12Т3С	1	R801-12Т3И	1	R801-1806Р	1
A801.20-16D2952	(0.079)	800-12 Т3 08М-С-С	1	800-12 Т3 08М-I-С	1	R424.9-180608-22	1	L801-12Т3С	1	R801-12Т3И	1	R801-1806Р	1
A801.20-16D3000	(0.079)	800-12 Т3 08М-С-С	1	800-12 Т3 08М-I-С	1	R424.9-180608-22	1	L801-12Т3С	1	R801-12Т3И	1	R801-1806Р	1
A801.20-17D3187	(0.079)	800-08 Т3 08М-С-С 800-06 Т3 08М-С-С	1 2	800-12 Т3 08М-I-С	1	R424.9-180608-22	1	L801-06Т3С-2 L801-06Т3С	1 1	R801-12Т3И	1	R801-1806Р	1
A801.20-17D3250	(0.079)	800-08 Т3 08М-С-С 800-06 Т3 08М-С-С	1 2	800-12 Т3 08М-I-С	1	R424.9-180608-22	1	L801-06Т3С-2 L801-06Т3С	1 1	R801-12Т3И	1	R801-1806Р	1
A801.20-18D3500	(0.079)	800-08 Т3 08М-С-С 800-06 Т3 08М-С-С	2 2	800-12 Т3 08М-I-С	1	R424.9-180608-22	1	L801-08Т3С L801-06Т3С	2 1	R801-12Т3И	1	R801-1806Р	1
A801.20-19D4000	(0.098)	800-12 Т3 08М-С-С	1	800-08 Т3 08М-I-С 800-12 Т3 08М-I-С	1 2	R424.9-180608-22	1	L801-12Т3С	1	R801-08Т3И R801-12Т3И	1 2	R801-1806Р	1
A801.20-19D4250	(0.098)	800-12 Т3 08М-С-С	1	800-08 Т3 08М-I-С 800-12 Т3 08М-I-С	1 2	R424.9-180608-22	1	L801-12Т3С	1	R801-08Т3И R801-12Т3И	1 2	R801-1806Р	1
A801.20-19D4375	(0.098)	800-12 Т3 08М-С-С	1	800-12 Т3 08М-I-С	3	R424.9-180608-22	1	L801-12Т3С	1	R801-12Т3И	3	R801-1806Р	1
A801.20-20D4500	(0.098)	800-12 Т3 08М-С-С	1	800-12 Т3 08М-I-С	2	R424.9-180608-22	1	L801-12Т3С	1	R801-12Т3И	3	R801-1806Р	1
A801.20-22D5375	(0.098)	800-12 Т3 08М-С-С	1	800-08 Т3 08М-I-С 800-12 Т3 08М-I-С	2 3	R424.9-180608-22	1	L801-12Т3С	1	R801-08Т3И R801-12Т3И	2 3	R801-1806Р	1
A801.20-22D5750	(0.098)	800-12 Т3 08М-С-С	1	800-08 Т3 08М-I-С 800-12 Т3 08М-I-С	1 4	R424.9-180608-22	1	L801-12Т3С	1	R801-08Т3И R801-12Т3И	1 4	R801-1806Р	1
A801.20-23D6000	(0.098)	800-12 Т3 08М-С-С	1	800-08 Т3 08М-I-С 800-12 Т3 08М-I-С	1 4	R424.9-180608-22	1	L801-12Т3С	1	R801-08Т3И R801-12Т3И	1 4	R801-1806Р	1
A801.20-24D6500	(0.098)	800-10 Т3 08М-С-С 800-08 Т3 08М-С-С	1 2	800-12 Т3 08М-I-С 800-12 Т3 08М-I-С	6 1	R424.9-180608-22	1	L801-10Т3С L801-08Т3С	1 2	R801-12Т3И	6 1	R801-1806Р	1
801.20-14D0650	0.75	800-12 Т3 08М-С-С	2	800-12 Т3 08М-I-С	1	R424.9-13Т308-22	1	L801-12Т3С	1	R801-12Т3И	1	R801-13Т3Р	1
801.20-15D0680	0.75	800-12 Т3 08М-С-С	1	800-12 Т3 08М-I-С	1	R424.9-13Т308-22	1	L801-12Т3С	1	R801-12Т3И	1	R801-13Т3Р	1
801.20-15D0700	0.50	800-08 Т3 08М-С-С 800-06 Т3 08М-С-С	2 2	800-08 Т3 08М-I-С	1	R424.9-13Т308-22	1	L801-06Т3С-2 L801-06Т3С	1 1	R801-08Т3И	1	R801-13Т3Р	1
801.20-15D0710	1.50	800-10 Т3 08М-С-С	1	800-12 Т3 08М-I-С	1	R424.9-180608-22	1	L801-10Т3С	1	R801-12Т3И	1	R801-1806Р	1
801.20-17D0800	2.00	800-08 Т3 08М-С-С 800-06 Т3 08М-С-С	1 2	800-12 Т3 08М-I-С	1	R424.9-180608-22	1	L801-06Т3С-2 L801-06Т3С	1 1	R801-12Т3И	1	R801-1806Р	1
801.20-17D0860	2.00	800-12 Т3 08М-С-С	2	800-12 Т3 08М-I-С	1	R424.9-180608-22	1	L801-08Т3С L801-06Т3С	2 1	R801-12Т3И	1	R801-1806Р	1
801.20-18D0900	2.00	800-08 Т3 08М-С-С	3	800-12 Т3 08М-I-С	1	R424.9-180608-22	1	L801-08Т3С	3	R801-12Т3И	1	R801-1806Р	1
801.20-18D0940	0.75	800-08 Т3 08М-С-С	3	800-12 Т3 08М-I-С	1	R424.9-180608-22	1	L801-08Т3С	3	R801-12Т3И	1	R801-1806Р	1
801.20-18D0950	2.00	800-12 Т3 08М-С-С	1	800-08 Т3 08М-I-С 800-12 Т3 08М-I-С	2 1	R424.9-180608-22	1	L801-12Т3С	1	R801-08Т3И R801-12Т3И	2 1	R801-1806Р	1
801.20-18D0980	2.00	800-12 Т3 08М-С-С	1	800-08 Т3 08М-I-С 800-12 Т3 08М-I-С	2 1	R424.9-180608-22	1	L801-12Т3С	1	R801-08Т3И R801-12Т3И	2 1	R801-1806Р	1
801.20-19D1050	2.50	800-12 Т3 08М-С-С	1	800-08 Т3 08М-I-С 800-12 Т3 08М-I-С	1 2	R424.9-180608-22	1	L801-12Т3С	1	R801-08Т3И R801-12Т3И	1 2	R801-1806Р	1
801.20-20D1200	2.50	800-12 Т3 08М-С-С	1	800-08 Т3 08М-I-С 800-12 Т3 08М-I-С	4 1	R424.9-180608-22	1	L801-12Т3С	1	R801-08Т3И R801-12Т3И	4 1	R801-1806Р	1
801.20-21D1250	2.50	800-12 Т3 08М-С-С	1	800-08 Т3 08М-I-С 800-12 Т3 08М-I-С	4 1	R424.9-180608-22	1	L801-12Т3С	1	R801-08Т3И R801-12Т3И	4 1	R801-1806Р	1
801.20-21D1300	2.50	800-12 Т3 08М-С-С	1	800-08 Т3 08М-I-С 800-12 Т3 08М-I-С	3 2	R424.9-180608-22	1	L801-12Т3С	1	R801-08Т3И R801-12Т3И	3 2	R801-1806Р	1
801.20-21D1350	2.50	800-12 Т3 08М-С-С	1	800-08 Т3 08М-I-С 800-12 Т3 08М-I-С	3 2	R424.9-180608-22	1	L801-12Т3С	1	R801-08Т3И R801-12Т3И	3 2	R801-1806Р	1
801.20-22D1415	2.50	800-12 Т3 08М-С-С	1	800-08 Т3 08М-I-С 800-12 Т3 08М-I-С	2 3	R424.9-180608-22	1	L801-12Т3С	1	R801-08Т3И R801-12Т3И	2 3	R801-1806Р	1
801.20-23D1500	2.50	800-12 Т3 08М-С-С	1	800-08 Т3 08М-I-С 800-12 Т3 08М-I-С	1 4	R424.9-180608-22	1	L801-12Т3С	1	R801-08Т3И R801-12Т3И	1 4	R801-1806Р	1
801.20-23D1570	2.50	800-12 Т3 08М-С-С	1	800-12 Т3 08М-I-С	5	R424.9-180608-22	1	L801-12Т3С	1	R801-12Т3И	5	R801-1806Р	1
801.20-24D1620	2.50	800-12 Т3 08М-С-С	1	800-12 Т3 08М-I-С	5	R424.9-180608-22	1	L801-12Т3С	1	R801-12Т3И	5	R801-1806Р	1

Центральная резцовая вставка	A Пластина	4 Винт пластины	16 Отвертка	5 Винт
L801-06T3C	800-06 T3 08M-C-G	5513 020-34	5680 046-01	5513 020-25
L801-08T3C	800-08 T3 08M-C-G	5513 020-34	5680 046-01	5513 020-25
L801-10T3C	800-10 T3 08M-C-G	5513 020-34	5680 046-01	5513 020-26
L801-12T3C	800-12 T3 08M-C-G	5513 020-34	5680 046-01	5513 020-26

Центральная резцовая вставка	A Пластина	B Пластина	4 Винт пластины	16 Отвертка
L801-06T3C-2	800-08 T3 08M-C-G	800-06 T3 08M-C-G	5513 020-34	5680 046-01

Промежуточная резцовая вставка	A Пластина	4 Винт пластины	16 Отвертка	6 Винт
R801-08T3I	800-08 T3 08M-I-G	5513 020-34	5680 046-01	5513 020-25
R801-12T3I	800-12 T3 08M-I-G	5513 020-34	5680 046-01	5513 020-26

Периферийная резцовая вставка	A Пластина	7 Винт пластины	19 Отвертка	8 Винт
R801-13T3P	R424.9-13T308-22	5513 020-24	5680 046-04	3212 010-310
R801-1806P	R424.9-180608-22	5513 020-25	5680 046-02	3212 010-361



Для получения подробной информации по выбору пластин, пожалуйста, обратитесь к региональному представителю Sandvik Coromant.

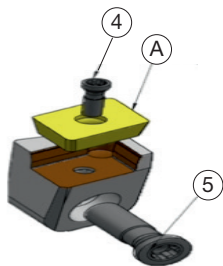
11 Набор регулировочных проставок для резцовой вставки 5549 128-40 < 70.99 Ø			Регулировочные проставки
Кол-во	Размер		
	мм	дюйм	
2	0.1	0.004	5549 128-41
2	0.15	0.006	5549 128-42
1	0.5	0.020	5549 128-43
1	1	0.039	5549 128-44
1	1.5	0.059	5549 128-45

11 Набор регулировочных проставок для резцовой вставки 5549 128-60 > 71.00 Ø			Регулировочные проставки
Кол-во	Размер		
	мм	дюйм	
2	0.1	0.004	5549 128-51
2	0.15	0.006	5549 128-52
1	0.5	0.020	5549 128-53
1	1	0.039	5549 128-54
1	1.5	0.059	5549 128-55
1	0.75	0.029	5549 128-56
1	2	0.079	5549 128-57
1	2.5	0.098	5549 128-58

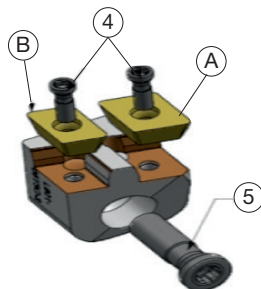
12 Набор регулировочных проставок для защитной пластины 5549 126-90		
Кол-во	Размер	
	мм	дюйм
1	0.2	0.008
1	0.5	0.020
1	1	0.039

12 Набор регулировочных проставок для защитной пластины 5549 126-91		
Кол-во	Размер	
	мм	дюйм
1	0.2	0.008
1	0.5	0.020
1	1	0.039

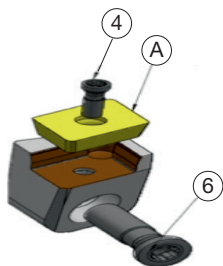
17 Ключ
5680 048-01
5680 048-01
5680 048-03
5680 048-03



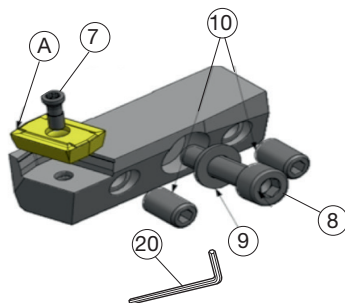
5 Винт	17 Ключ
5513 020-26	5680 048-03



18 Ключ
5680 048-01
5680 048-03

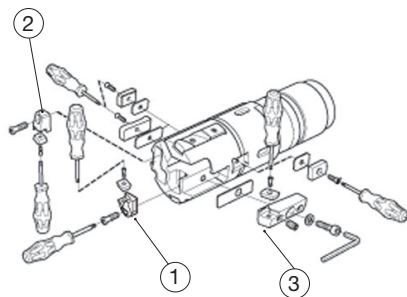
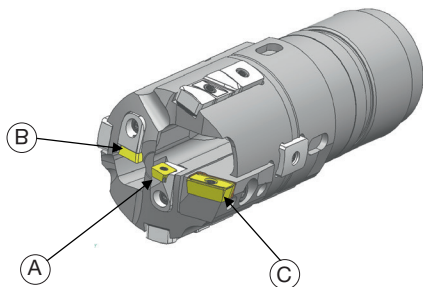


20 Ключ	9 Шайба	10 Регулировочный винт
3021 010-040	3411 011-053	3214 010-357
3021 010-050	3411 011-064	3214 010-357



15 Набор регулировочных проставок для опорно-направляющих пластин 5549 126-10			Регулировочные проставки
Кол-во	Размер		
	мм	дюйм	
3	0.05	0.002	5549 126-07
3	0.1	0.004	5549 126-01
3	0.15	0.006	5549 126-04
3	0.2	0.008	5549 126-02
3	0.3	0.012	5549 126-03
3	2	0.079	5549 126-05
3	2.5	0.098	5549 126-06

15 Набор регулировочных проставок для опорно-направляющих пластин 5549 127-20			Регулировочные проставки
Кол-во	Размер		
	мм	дюйм	
3	0.05	0.002	5549 127-22
3	0.1	0.004	5549 127-01
3	0.15	0.006	5549 127-21
3	0.2	0.008	5549 127-02
3	0.3	0.012	5549 127-03
3	0.5	0.020	5549 127-04
3	0.75	0.029	5549 127-23
3	1.5	0.059	5549 127-24
3	2	0.079	5549 127-07



*) Cantidad **) Ajuste radial

Código de pedido Cabeza para taladrado	**) mm (pul.)	Plaquitas			Cartucho								
		A Plaquita central	*) B Plaquita intermedia	*) C Plaquita periférica	*) 1 Cartucho central	*) 2 Cartucho intermedio	*) 3 Cartucho periférico						
A801.20-14D2625	(0.030)	800-12 T3 08M-C-G	1	800-12 T3 08M-I-G	1	R424.9-13T308-22	1	L801-12T3C	1	R801-12T3I	1	R801-13T3P	1
A801.20-15D2750	(0.020)	800-08 T3 08M-C-G 800-06 T3 08M-C-G	1 2	800-08 T3 08M-I-G	1	R424.9-13T308-22	1	L801-06T3C-2 L801-06T3C	1 1	R801-08T3I	1	R801-13T3P	1
A801.20-16D2875	(0.079)	800-12 T3 08M-C-G	1	800-12 T3 08M-I-G	1	R424.9-180608-22	1	L801-12T3C	1	R801-12T3I	1	R801-1806P	1
A801.20-16D2952	(0.079)	800-12 T3 08M-C-G	1	800-12 T3 08M-I-G	1	R424.9-180608-22	1	L801-12T3C	1	R801-12T3I	1	R801-1806P	1
A801.20-16D3000	(0.079)	800-12 T3 08M-C-G	1	800-12 T3 08M-I-G	1	R424.9-180608-22	1	L801-12T3C	1	R801-12T3I	1	R801-1806P	1
A801.20-17D3187	(0.079)	800-08 T3 08M-C-G 800-06 T3 08M-C-G	1 2	800-12 T3 08M-I-G	1	R424.9-180608-22	1	L801-06T3C-2 L801-06T3C	1 1	R801-12T3I	1	R801-1806P	1
A801.20-17D3250	(0.079)	800-08 T3 08M-C-G 800-06 T3 08M-C-G	1 2	800-12 T3 08M-I-G	1	R424.9-180608-22	1	L801-06T3C-2 L801-06T3C	1 1	R801-12T3I	1	R801-1806P	1
A801.20-18D3500	(0.079)	800-08 T3 08M-C-G 800-06 T3 08M-C-G	1 2	800-12 T3 08M-I-G	1	R424.9-180608-22	1	L801-08T3C L801-06T3C	2 1	R801-12T3I	1	R801-1806P	1
A801.20-19D4000	(0.098)	800-12 T3 08M-C-G	1	800-08 T3 08M-I-G 800-12 T3 08M-I-G	1 2	R424.9-180608-22	1	L801-12T3C	1	R801-08T3I R801-12T3I	1 2	R801-1806P	1
A801.20-19D4250	(0.098)	800-12 T3 08M-C-G	1	800-08 T3 08M-I-G 800-12 T3 08M-I-G	1 2	R424.9-180608-22	1	L801-12T3C	1	R801-08T3I R801-12T3I	1 2	R801-1806P	1
A801.20-19D4375	(0.098)	800-12 T3 08M-C-G	1	800-12 T3 08M-I-G	3	R424.9-180608-22	1	L801-12T3C	1	R801-12T3I	3	R801-1806P	1
A801.20-20D4500	(0.098)	800-12 T3 08M-C-G	1	800-12 T3 08M-I-G	3	R424.9-180608-22	1	L801-12T3C	1	R801-12T3I	3	R801-1806P	1
A801.20-22D5375	(0.098)	800-12 T3 08M-C-G	1	800-08 T3 08M-I-G 800-12 T3 08M-I-G	2 3	R424.9-180608-22	1	L801-12T3C	1	R801-08T3I R801-12T3I	2 3	R801-1806P	1
A801.20-22D5750	(0.098)	800-12 T3 08M-C-G	1	800-08 T3 08M-I-G 800-12 T3 08M-I-G	1 4	R424.9-180608-22	1	L801-12T3C	1	R801-08T3I R801-12T3I	1 4	R801-1806P	1
A801.20-23D6000	(0.098)	800-12 T3 08M-C-G	1	800-08 T3 08M-I-G 800-12 T3 08M-I-G	1 4	R424.9-180608-22	1	L801-12T3C	1	R801-08T3I R801-12T3I	1 4	R801-1806P	1
A801.20-24D6500	(0.098)	800-10 T3 08M-C-G 800-08 T3 08M-C-G	1 2	800-08 T3 08M-I-G 800-12 T3 08M-I-G	6 1	R424.9-180608-22	1	L801-10T3C L801-08T3C	2	R801-08T3I R801-12T3I	6 1	R801-1806P	1
801.20-14D0650	0.75	800-12 T3 08M-C-G	1	800-12 T3 08M-I-G	1	R424.9-13T308-22	1	L801-12T3C	1	R801-12T3I	1	R801-13T3P	1
801.20-15D0680	0.75	800-12 T3 08M-C-G	1	800-12 T3 08M-I-G	1	R424.9-13T308-22	1	L801-12T3C	1	R801-12T3I	1	R801-13T3P	1
801.20-15D0700	0.50	800-08 T3 08M-C-G 800-06 T3 08M-C-G	2 1	800-08 T3 08M-I-G	1	R424.9-13T308-22	1	L801-06T3C-2 L801-06T3C	1	R801-08T3I	1	R801-13T3P	1
801.20-15D0710	1.50	800-10 T3 08M-C-G	1	800-12 T3 08M-I-G	1	R424.9-180608-22	1	L801-10T3C	1	R801-12T3I	1	R801-1806P	1
801.20-17D0800	2.00	800-08 T3 08M-C-G 800-06 T3 08M-C-G	1 2	800-12 T3 08M-I-G	1	R424.9-180608-22	1	L801-06T3C-2 L801-06T3C	1	R801-12T3I	1	R801-1806P	1
801.20-17D0860	2.00	800-08 T3 08M-C-G 800-06 T3 08M-C-G	2 1	800-12 T3 08M-I-G	1	R424.9-180608-22	1	L801-08T3C L801-06T3C	2 1	R801-12T3I	1	R801-1806P	1
801.20-18D0900	2.00	800-08 T3 08M-C-G	3	800-12 T3 08M-I-G	1	R424.9-180608-22	1	L801-08T3C	3	R801-12T3I	1	R801-1806P	1
801.20-18D0940	0.75	800-08 T3 08M-C-G	3	800-12 T3 08M-I-G	1	R424.9-180608-22	1	L801-08T3C	3	R801-12T3I	1	R801-1806P	1
801.20-18D0950	2.00	800-12 T3 08M-C-G	1	800-08 T3 08M-I-G 800-12 T3 08M-I-G	2 1	R424.9-180608-22	1	L801-12T3C	1	R801-08T3I R801-12T3I	2 1	R801-1806P	1
801.20-18D0980	2.00	800-12 T3 08M-C-G	1	800-08 T3 08M-I-G 800-12 T3 08M-I-G	2 1	R424.9-180608-22	1	L801-12T3C	1	R801-08T3I R801-12T3I	2 1	R801-1806P	1
801.20-19D1050	2.50	800-12 T3 08M-C-G	1	800-08 T3 08M-I-G 800-12 T3 08M-I-G	1 2	R424.9-180608-22	1	L801-12T3C	1	R801-08T3I R801-12T3I	1 2	R801-1806P	1
801.20-20D1200	2.50	800-12 T3 08M-C-G	1	800-08 T3 08M-I-G 800-12 T3 08M-I-G	4 1	R424.9-180608-22	1	L801-12T3C	1	R801-08T3I R801-12T3I	4 1	R801-1806P	1
801.20-21D1250	2.50	800-12 T3 08M-C-G	1	800-08 T3 08M-I-G 800-12 T3 08M-I-G	4 1	R424.9-180608-22	1	L801-12T3C	1	R801-08T3I R801-12T3I	4 1	R801-1806P	1
801.20-21D1300	2.50	800-12 T3 08M-C-G	1	800-08 T3 08M-I-G 800-12 T3 08M-I-G	3 2	R424.9-180608-22	1	L801-12T3C	1	R801-08T3I R801-12T3I	3 2	R801-1806P	1
801.20-21D1350	2.50	800-12 T3 08M-C-G	1	800-08 T3 08M-I-G 800-12 T3 08M-I-G	3 2	R424.9-180608-22	1	L801-12T3C	1	R801-08T3I R801-12T3I	3 2	R801-1806P	1
801.20-22D1415	2.50	800-12 T3 08M-C-G	1	800-08 T3 08M-I-G 800-12 T3 08M-I-G	2 3	R424.9-180608-22	1	L801-12T3C	1	R801-08T3I R801-12T3I	2 3	R801-1806P	1
801.20-23D1500	2.50	800-12 T3 08M-C-G	1	800-08 T3 08M-I-G 800-12 T3 08M-I-G	1 4	R424.9-180608-22	1	L801-12T3C	1	R801-08T3I R801-12T3I	1 4	R801-1806P	1
801.20-23D1570	2.50	800-12 T3 08M-C-G	1	800-12 T3 08M-I-G	5	R424.9-180608-22	1	L801-12T3C	1	R801-12T3I	5	R801-1806P	1
801.20-24D1620	2.50	800-12 T3 08M-C-G	1	800-12 T3 08M-I-G	5	R424.9-180608-22	1	L801-12T3C	1	R801-12T3I	5	R801-1806P	1

Cartucho central	A Plaquitas	4 Tornillo de la plaquita	16 Destornillador	5 Tornillo
L801-06T3C	800-06 T3 08M-C-G	5513 020-34	5680 046-01	5513 020-25
L801-08T3C	800-08 T3 08M-C-G	5513 020-34	5680 046-01	5513 020-25
L801-10T3C	800-10 T3 08M-C-G	5513 020-34	5680 046-01	5513 020-26
L801-12T3C	800-12 T3 08M-C-G	5513 020-34	5680 046-01	5513 020-26

Cartucho central	A Plaquitas	B Plaquitas	4 Tornillo de la plaquita	16 Destornillador
L801-06T3C-2	800-08 T3 08M-C-G	800-06 T3 08M-C-G	5513 020-34	5680 046-01

Cartucho intermedio	A Plaquitas	4 Tornillo de la plaquita	16 Destornillador	6 Tornillo
R801-08T3I	800-08 T3 08M-I-G	5513 020-34	5680 046-01	5513 020-25
R801-12T3I	800-12 T3 08M-I-G	5513 020-34	5680 046-01	5513 020-26

Cartucho periférico	A Plaquitas	7 Tornillo de la plaquita	19 Destornillador	8 Tornillo
R801-13T3P	R424.9-13T308-22	5513 020-24	5680 046-04	3212 010-310
R801-1806P	R424.9-180608-22	5513 020-25	5680 046-02	3212 010-361



Para obtener más información sobre las plaquitas apropiadas, póngase en contacto con su representante de Sandvik Coromant local.

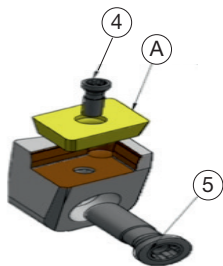
11 Juego de placas de apoyo del cartucho 5549 128-40 < 70.99 Ø			Placas de apoyo individuales
Piezas	Tamaño		
	mm	Pul.	
2	0.1	0.004	5549 128-41
2	0.15	0.006	5549 128-42
1	0.5	0.020	5549 128-43
1	1	0.039	5549 128-44
1	1.5	0.059	5549 128-45

11 Juego de placas de apoyo del cartucho 5549 128-60 > 71.00 Ø			Placas de apoyo individuales
Piezas	Tamaño		
	mm	Pul.	
2	0.1	0.004	5549 128-51
2	0.15	0.006	5549 128-52
1	0.5	0.020	5549 128-53
1	1	0.039	5549 128-54
1	1.5	0.059	5549 128-55
1	0.75	0.029	5549 128-56
1	2	0.079	5549 128-57
1	2.5	0.098	5549 128-58

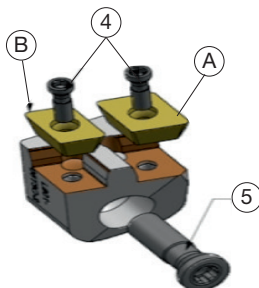
12 Juego de placas de apoyo del patín de seguridad 5549 126-90		
Piezas	Tamaño	
	mm	Pul.
1	0.2	0.008
1	0.5	0.020
1	1	0.039

12 Juego de placas de apoyo del patín de seguridad 5549 126-91		
Piezas	Tamaño	
	mm	Pul.
1	0.2	0.008
1	0.5	0.020
1	1	0.039

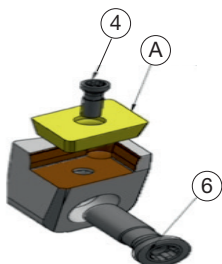
17	Llave
5680 048-01	
5680 048-01	
5680 048-03	
5680 048-03	



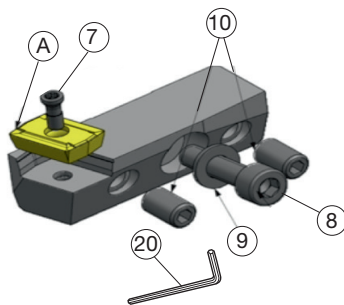
5	Tornillo	17	Llave
5513 020-26		5680 048-03	



18	Llave
5680 048-01	
5680 048-03	



20	Llave	9	Arandela	10	Tornillo
3021 010-040		3411 011-053		3214 010-357	
3021 010-050		3411 011-064		3214 010-357	



15 Juego de placas de apoyo del patín 5549 126-10			Placas de apoyo individuales
Piezas	Tamaño		
	mm	Pul.	
3	0.05	0.002	5549 126-07
3	0.1	0.004	5549 126-01
3	0.15	0.006	5549 126-04
3	0.2	0.008	5549 126-02
3	0.3	0.012	5549 126-03
3	2	0.079	5549 126-05
3	2.5	0.098	5549 126-06

15 Juego de placas de apoyo del patín 5549 127-20			Placas de apoyo individuales
Piezas	Tamaño		
	mm	Pul.	
3	0.05	0.002	5549 127-22
3	0.1	0.004	5549 127-01
3	0.15	0.006	5549 127-21
3	0.2	0.008	5549 127-02
3	0.3	0.012	5549 127-03
3	0.5	0.020	5549 127-04
3	0.75	0.029	5549 127-23
3	1.5	0.059	5549 127-24
3	2	0.079	5549 127-07



www.sandvik.coromant.com/corodrill801

Head office:
AB Sandvik Coromant
SE-811 81 Sandviken, Sweden
www.sandvik.coromant.com
E-mail: info.coromant@sandvik.com

92005

© AB Sandvik Coromant Rev 1 2014.01 Rev 2 2014.08,
Rev 3 2015.01, Rev 4 2015.03

SANDVIK
Coromant