

SH. 1
OF 1

CAT NO

1015B-4

SIZE

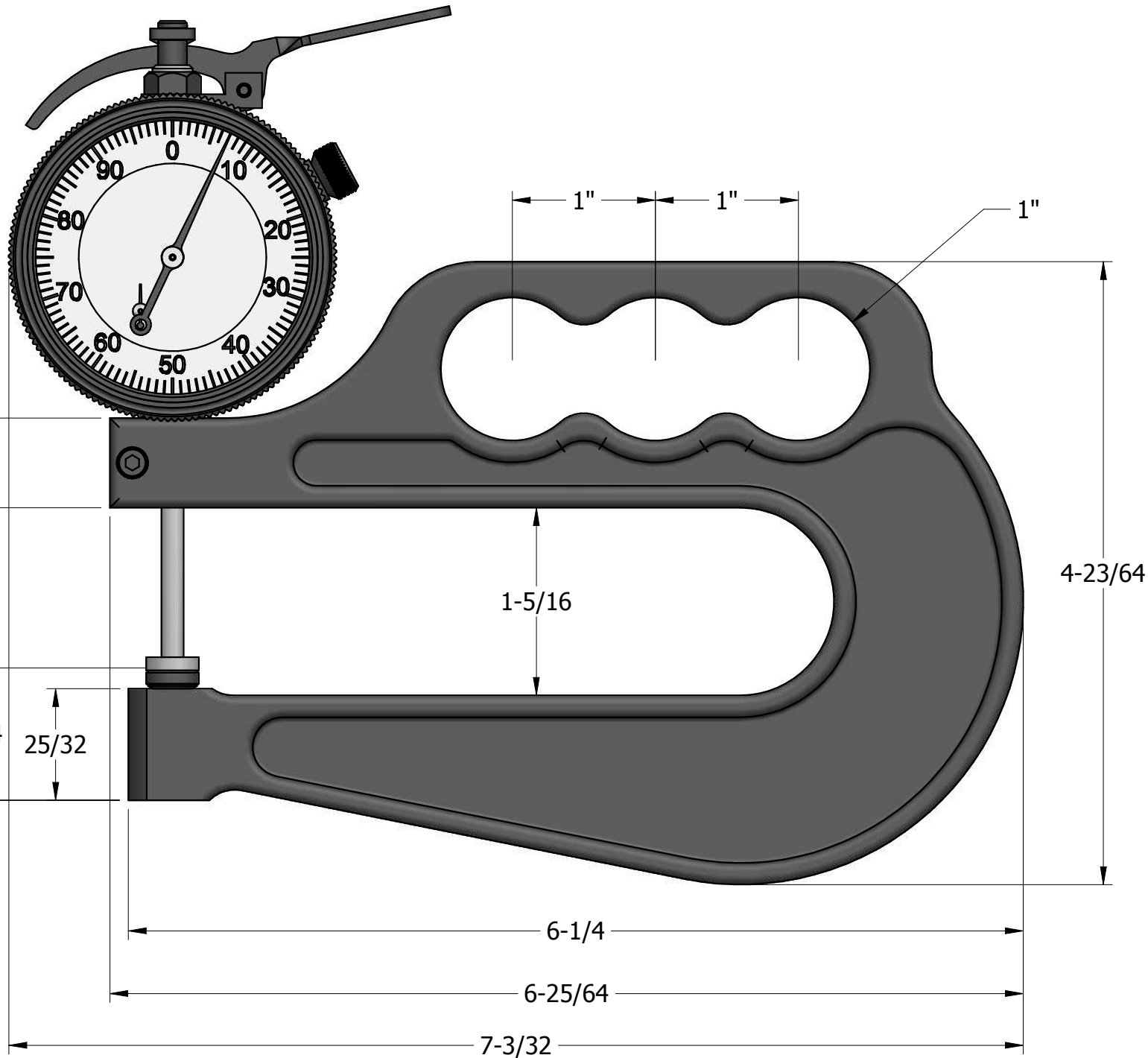
1"

DO NOT
SEPARATE
PRINT FROM
WORK

LOT NO

OPER

TOOLS



REV	DESCRIPTION	DATE	BY
-----	-------------	------	----

DR	BMD	CHK	DATE
----	-----	-----	------

PORTABLE DIAL
THICKNESS GAGE

THE L.S. STARRETT CO.
ATHOL, MASS.

FRACTIONAL TOLERANCE $\pm 1/64$ UNLESS OTHERWISE NOTED