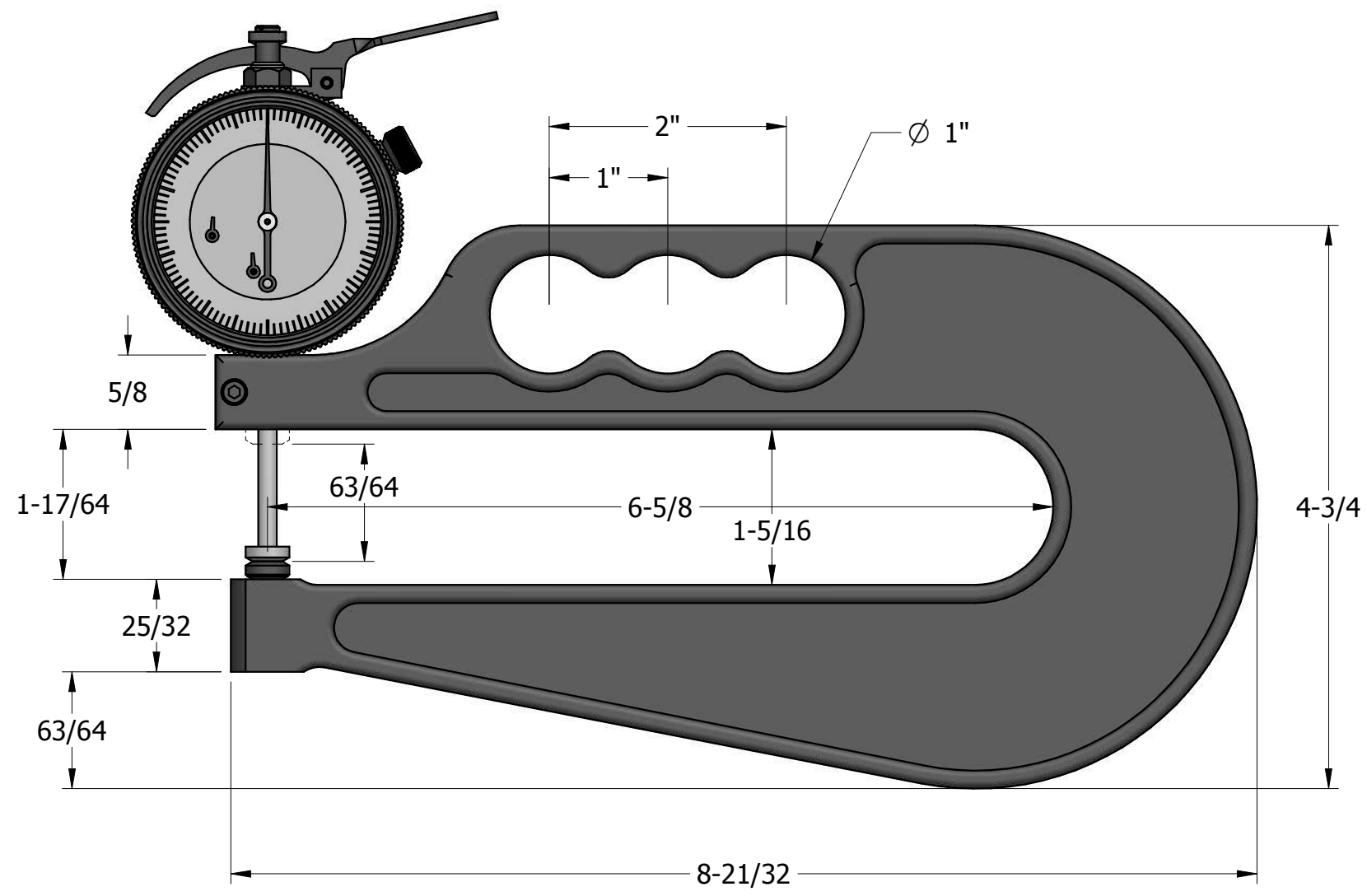


SH. 1 OF 1	CAT NO	1015MB-150	SIZE	25mm	DO NOT SEPARATE PRINT FROM WORK	LOT NO
---------------	--------	------------	------	------	--	--------

OPER	TOOLS



REV	DESCRIPTION	DATE	BY
DR	BMD	CHK	DATE

**PORTABLE DIAL
THICKNESS GAGE**

THE L.S. STARRETT CO.
ATHOL, MASS.

FRACTIONAL TOLERANCE $\pm 1/64$ UNLESS OTHERWISE NOTED