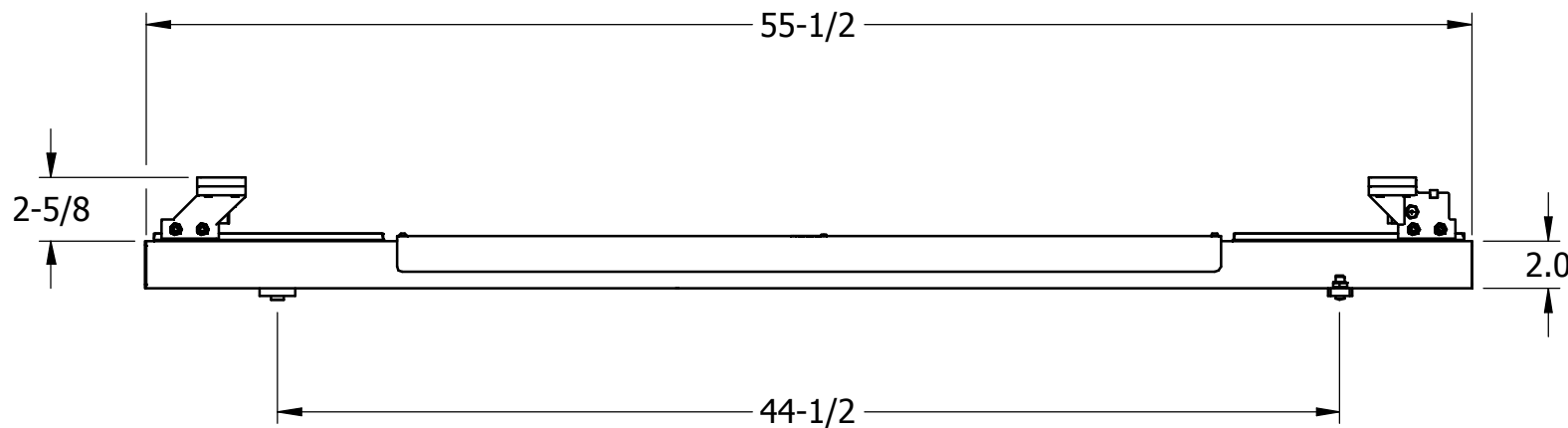
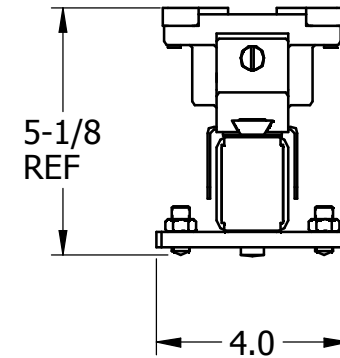
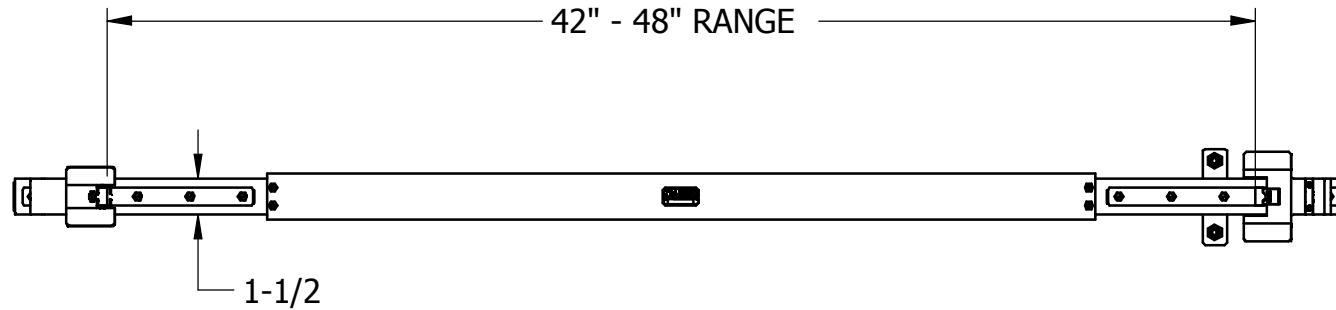


OPER

TOOLS



REV	DESCRIPTION	DATE	BY
-----	-------------	------	----

DR	WEN	CHK	DATE
----	-----	-----	------

**INTERNAL - EXTERNAL
SETTING MASTER
RANGE 42" - 48"**

**THE L.S. STARRETT CO.
ATHOL, MASS.**

FRACTIONAL TOLERANCE +- 1/64 UNLESS OTHERWISE NOTED