

SH. 1
OF 1

CAT NO

123EMZ-24

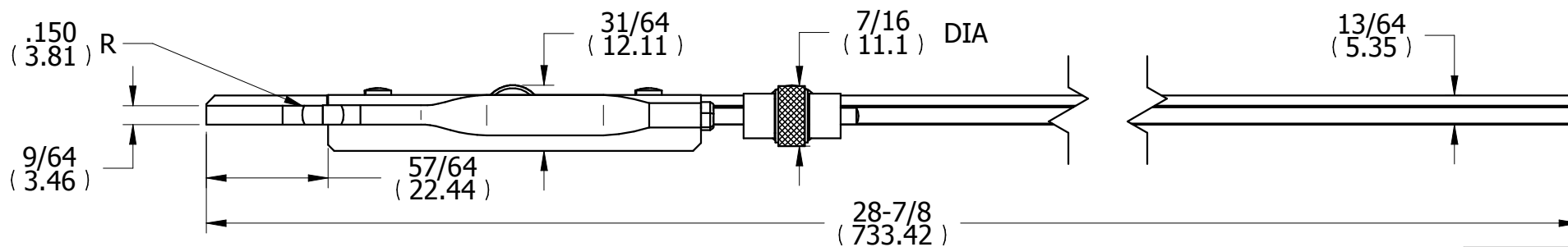
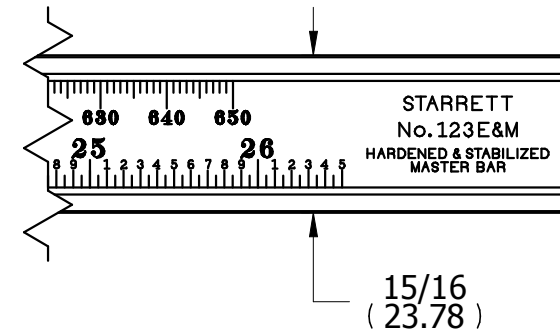
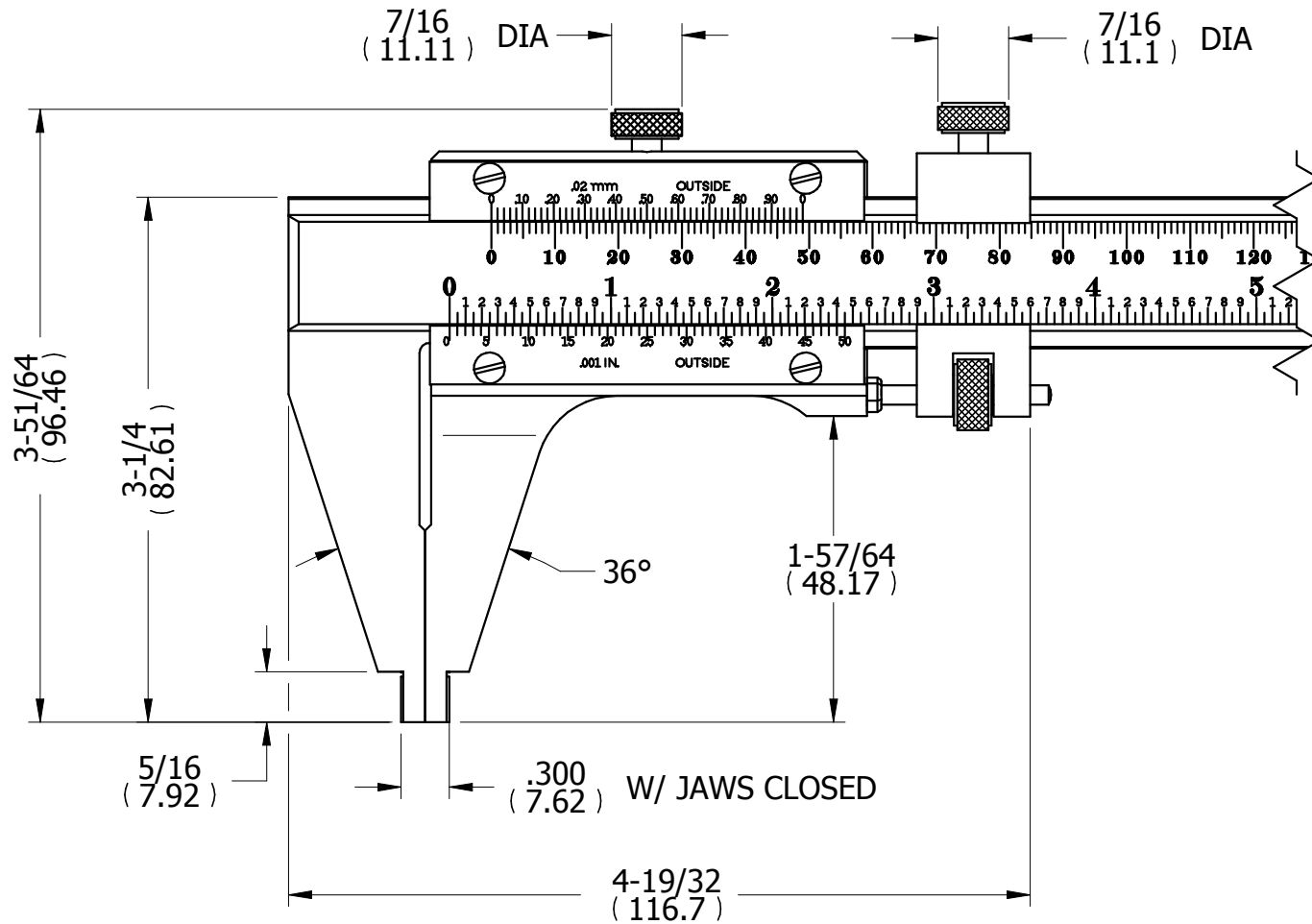
CUSTOMER DIMENSIONS

DO NOT
SEPARATE
PRINT FROM
WORK

LOT NO

OPER

TOOLS



FRACTIONAL TOLERANCE $\pm \frac{1}{64}$ UNLESS OTHERWISE NOTED

DR	WFN	CHK	DATE
MASTER VERNIER CALIPER ENGLISH & METRIC 24" & 600mm			
THE L.S. STARRETT CO. ATHOL, MASS.			