

SH. 1  
OF 1

CAT NO

12-18-4R

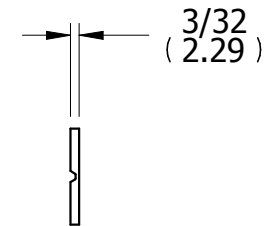
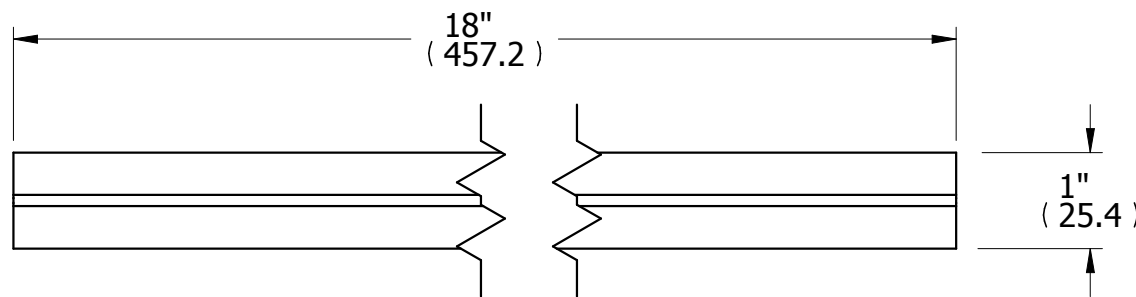
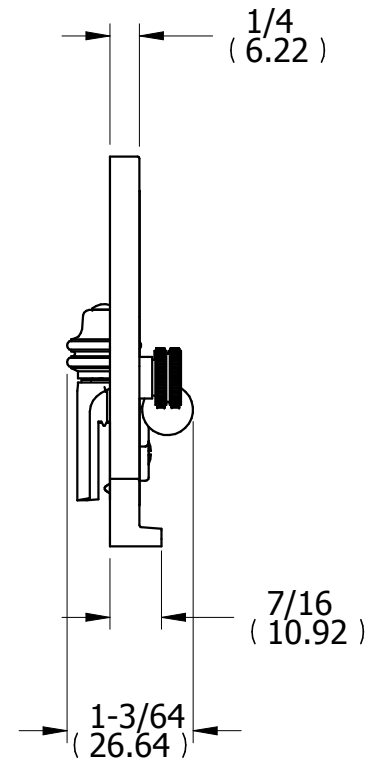
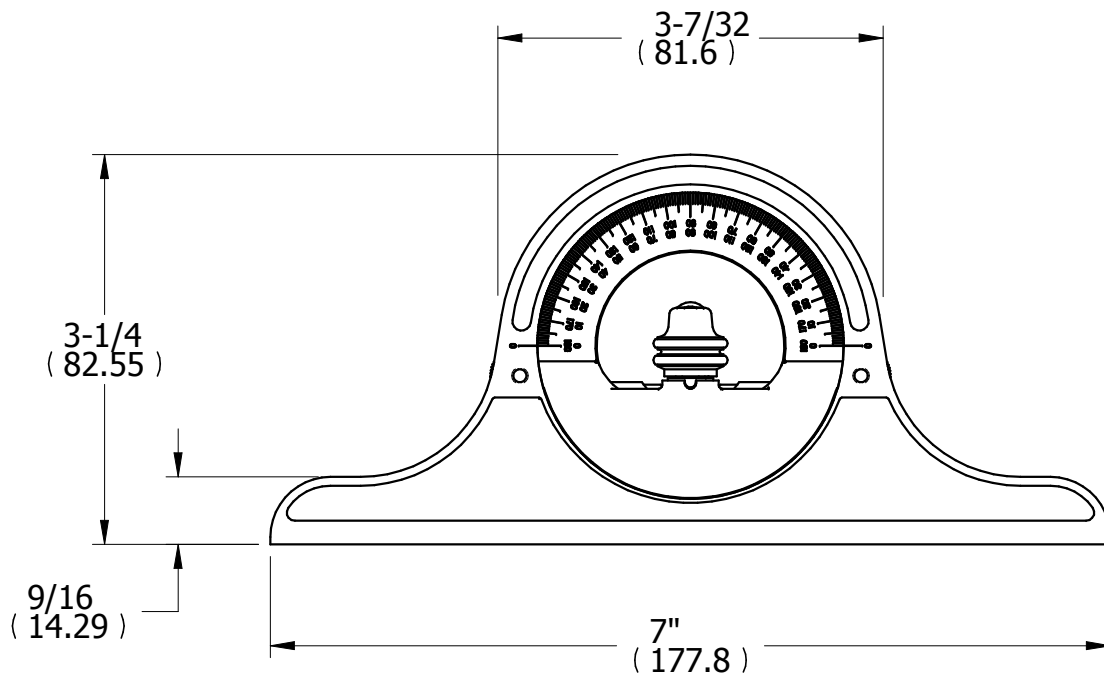
CUSTOMER DIMENSIONS

DO NOT  
SEPARATE  
PRINT FROM  
WORK

LOT NO

OPER

TOOLS




REV	DESCRIPTION	DATE	BY
-----	-------------	------	----

DR	JEG	CHK	DATE
----	-----	-----	------

**BEVEL PROTRACTOR  
NON-REVERSIBLE**

**THE L.S. STARRETT CO.  
ATHOL, MASS.**

FRACTIONAL TOLERANCE +- 1/64 UNLESS OTHERWISE NOTED