

SH. 1
OF 1

CAT NO

161AA

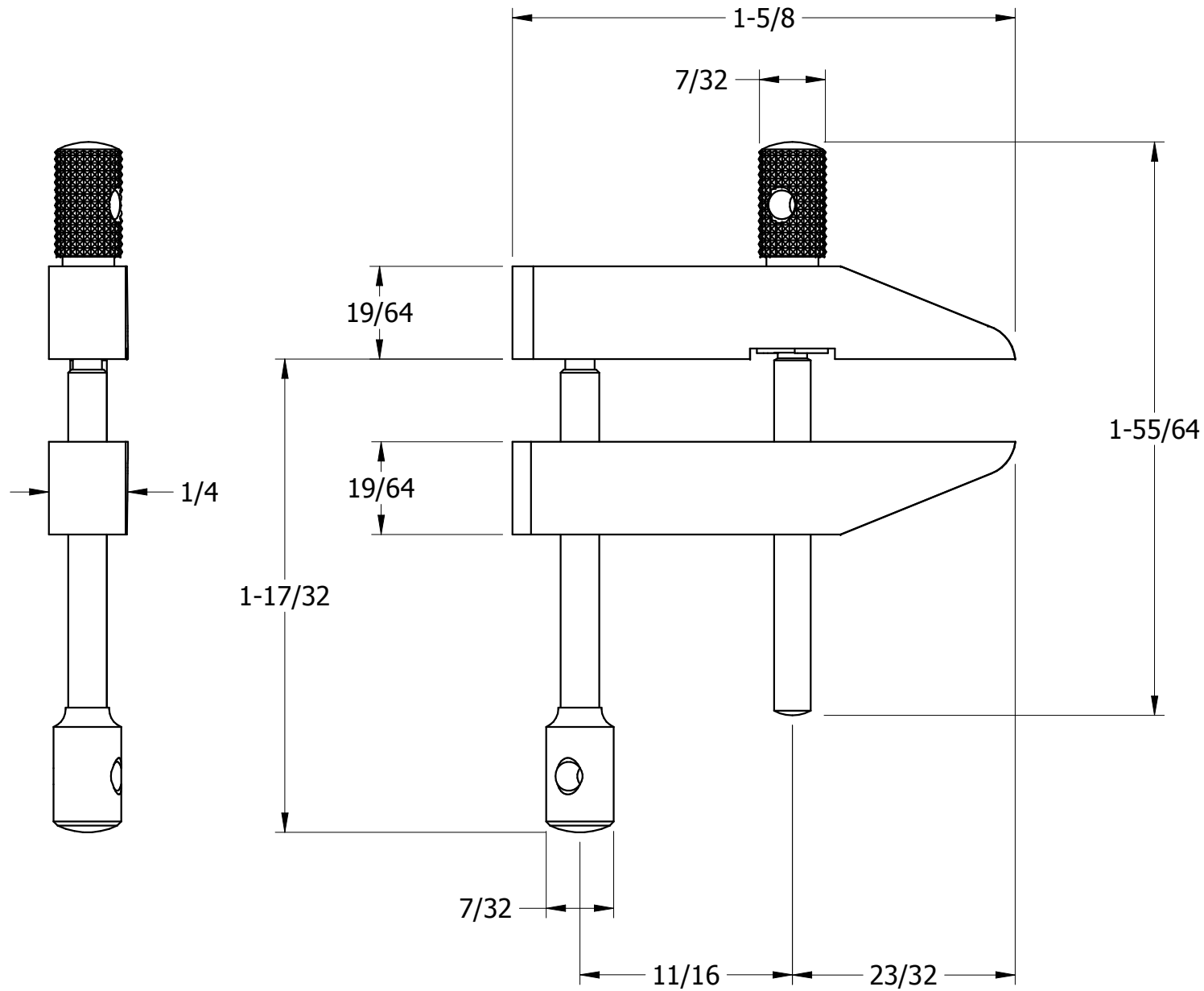
CUSTOMER DIMENSIONS

DO NOT
SEPARATE
PRINT FROM
WORK

LOT NO

OPER

TOOLS



REV	DESCRIPTION	DATE	BY
DR	CAP	CHK	DATE 10/13/14

TOOL MAKERS
PARALLEL CLAMPS

THE L.S. STARRETT CO.
ATHOL, MASS.

FRACTIONAL TOLERANCE $\pm 1/64$ UNLESS OTHERWISE NOTED