

SH. 1  
OF 1

CAT NO

161D

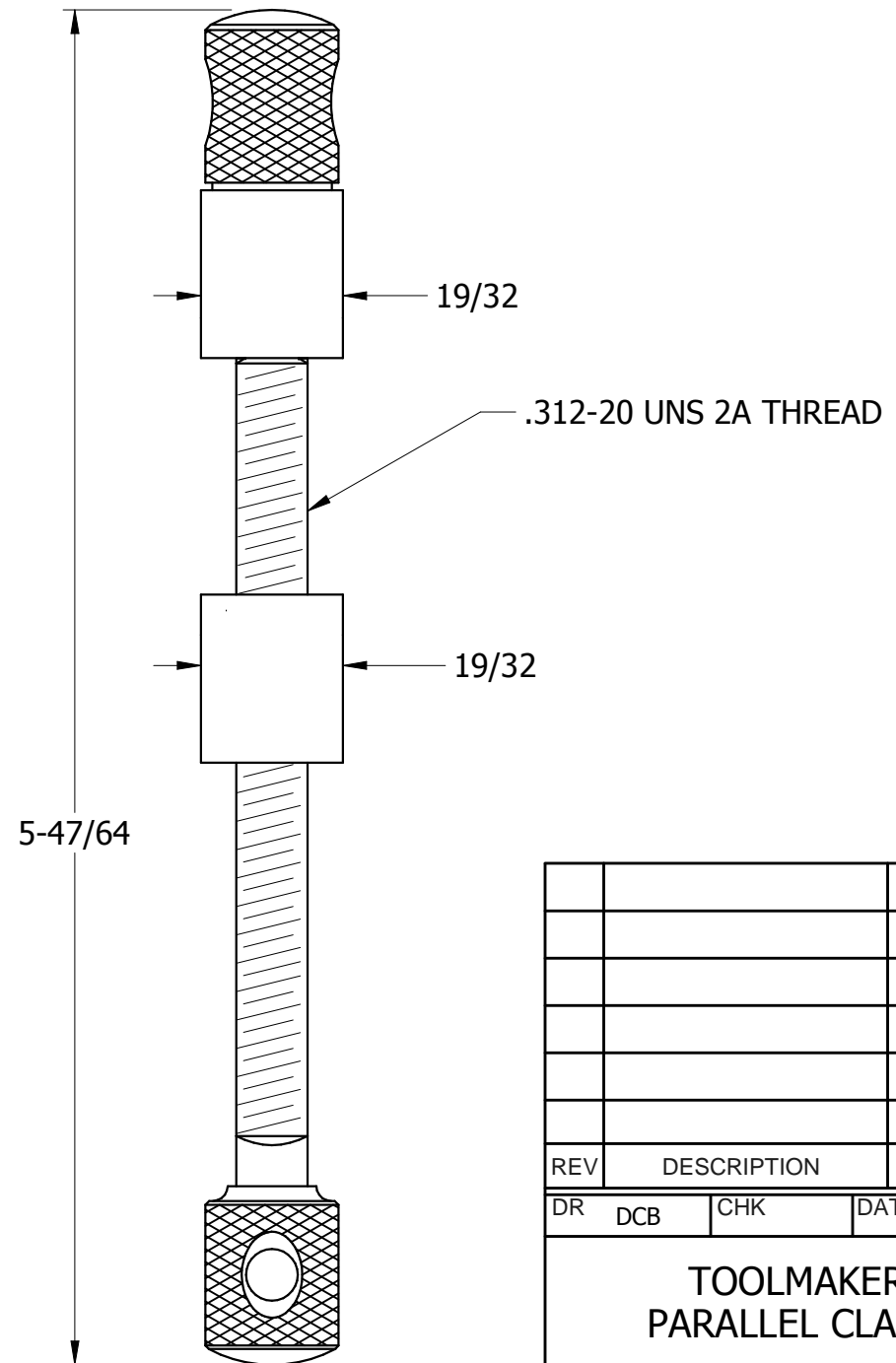
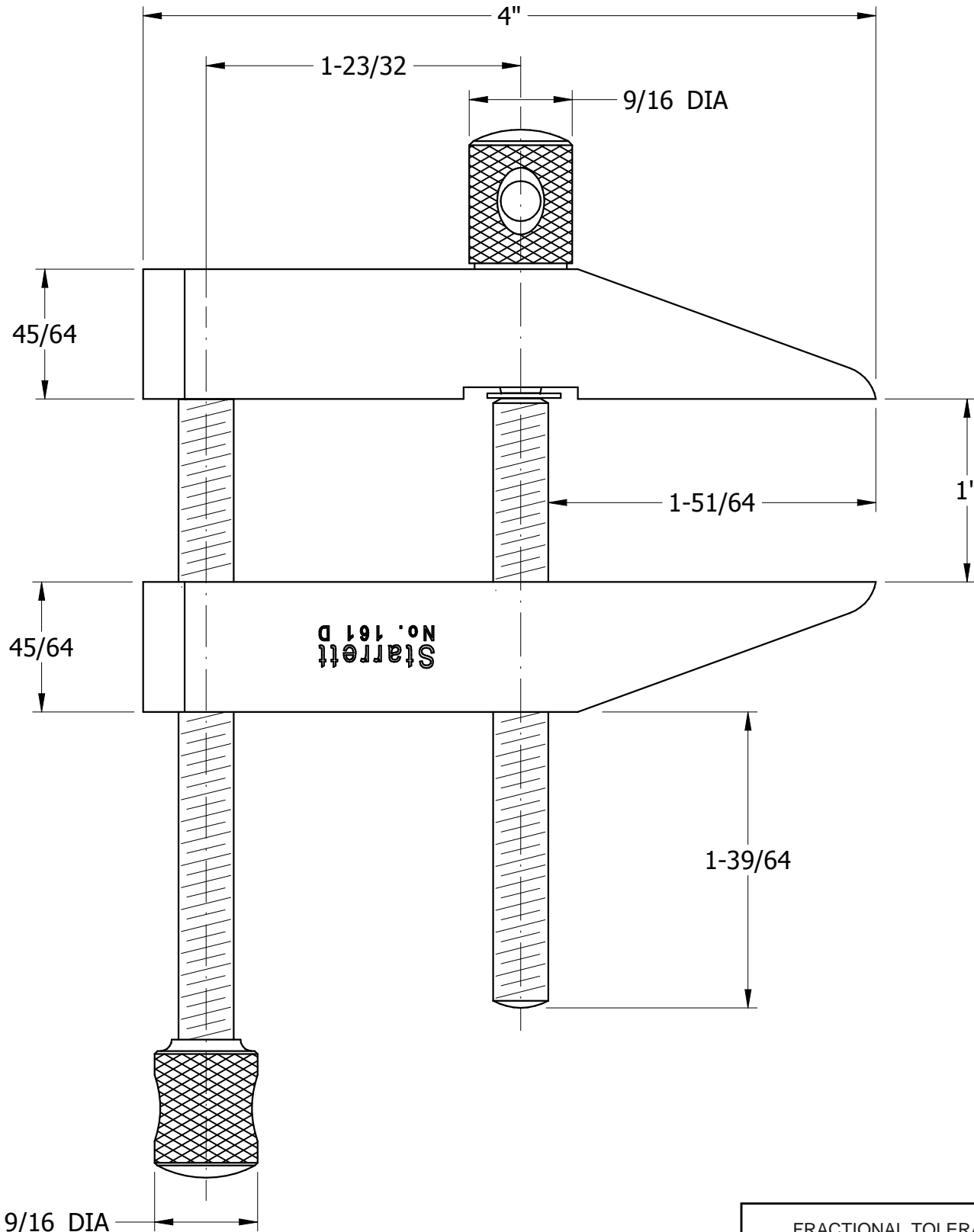
CUSTOMER DIMENSIONS

DO NOT  
SEPARATE  
PRINT FROM  
WORK

LOT NO

OPER

TOOLS



FRACTIONAL TOLERANCE  $\pm \frac{1}{64}$  UNLESS OTHERWISE NOTED

|  |  |  |  |
|--|--|--|--|
|  |  |  |  |
|  |  |  |  |
|  |  |  |  |
|  |  |  |  |
|  |  |  |  |
|  |  |  |  |
|  |  |  |  |
|  |  |  |  |

| REV | DESCRIPTION | DATE | BY |
|-----|-------------|------|----|
|-----|-------------|------|----|

|    |     |     |      |
|----|-----|-----|------|
| DR | DCB | CHK | DATE |
|----|-----|-----|------|

TOOLMAKERS  
PARALLEL CLAMPS

THE L.S. STARRETT CO.  
ATHOL, MASS.