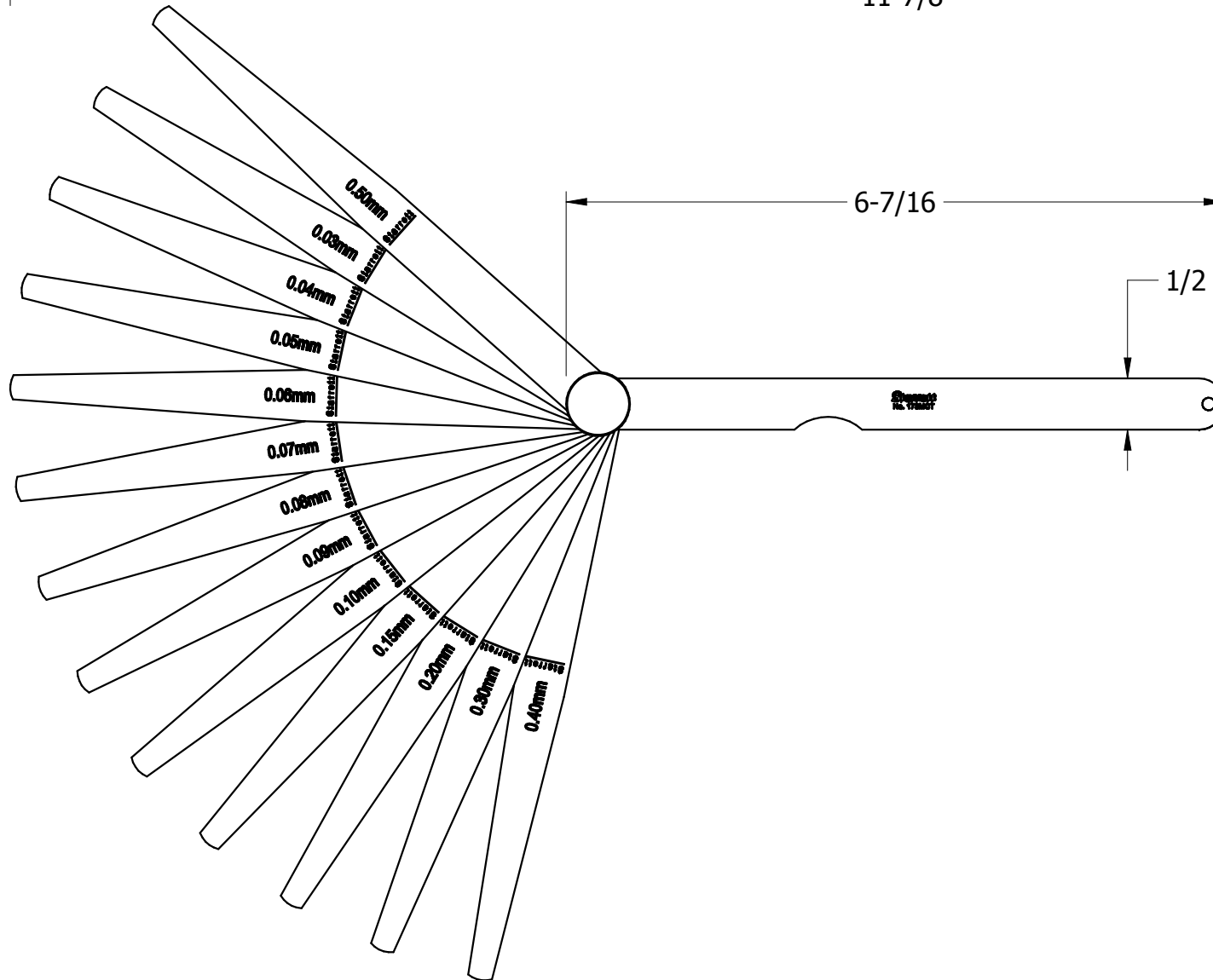
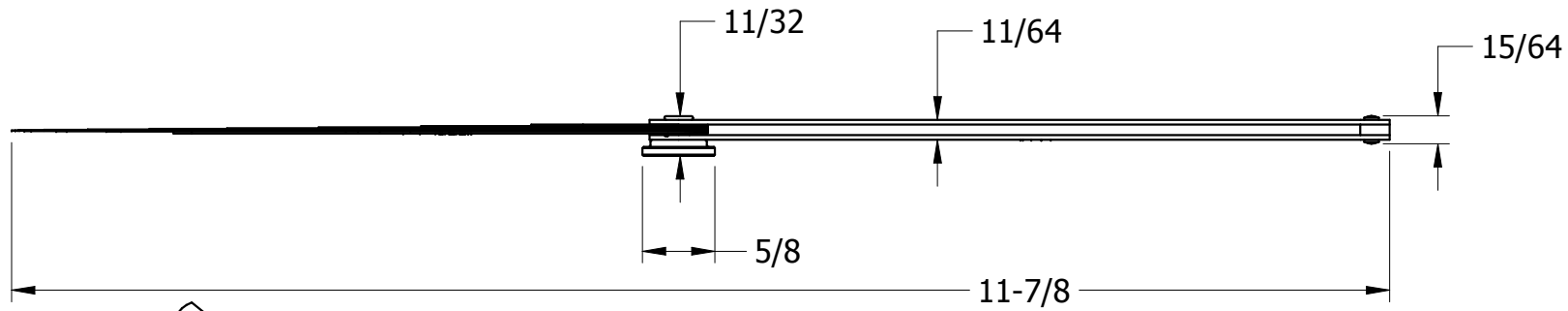


OPER

TOOLS



REV	DESCRIPTION	DATE	BY
DR	GW	CHK	DATE

THICKNESS GAGE
ASSEMBLY

THE L.S. STARRETT CO.
ATHOL, MASS.

FRACTIONAL TOLERANCE +- 1/64 UNLESS OTHERWISE NOTED