

SH. 1
OF 1

CAT NO

190A

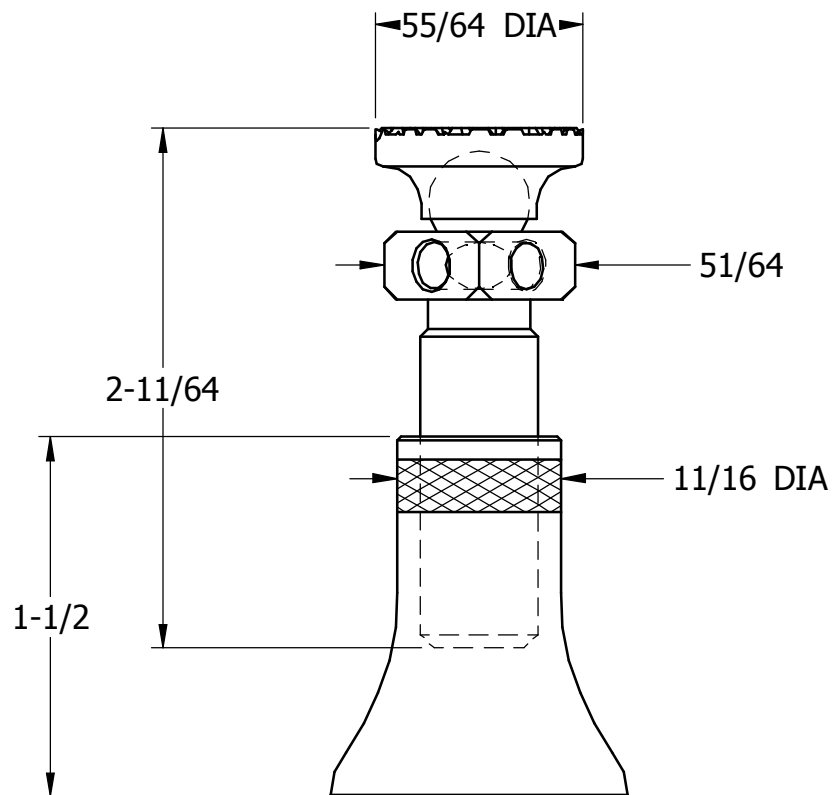
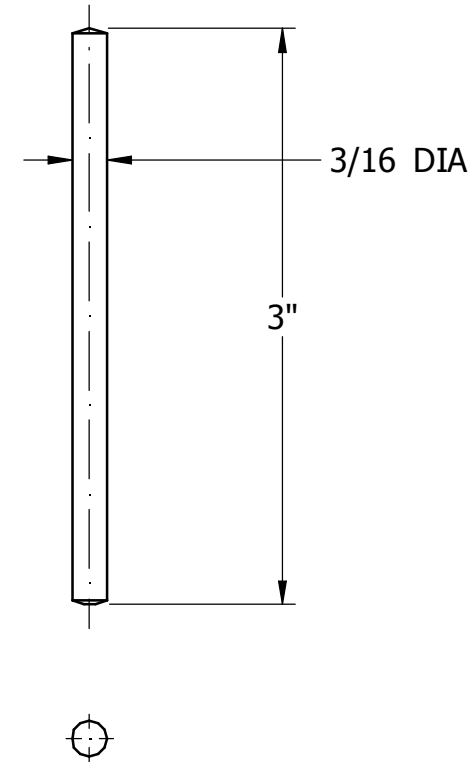
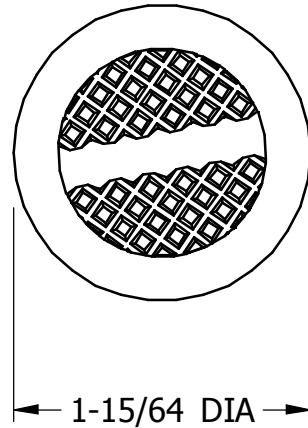
CUSTOMER DIMENSIONS

DO NOT
SEPARATE
PRINT FROM
WORK

LOT NO

OPER

TOOLS



A	REDRAWN	2-12-13	JEG
REV	DESCRIPTION	DATE	BY
DR	DS	CHK	DATE

2-1/4" TO 6-1/4"
JACK SCREW%ASSEMBLY

THE L.S. STARRETT CO.
ATHOL, MASS.

FRACTIONAL TOLERANCE +- 1/64 UNLESS OTHERWISE NOTED