

SH. 1  
OF 1

CAT NO

209MRL

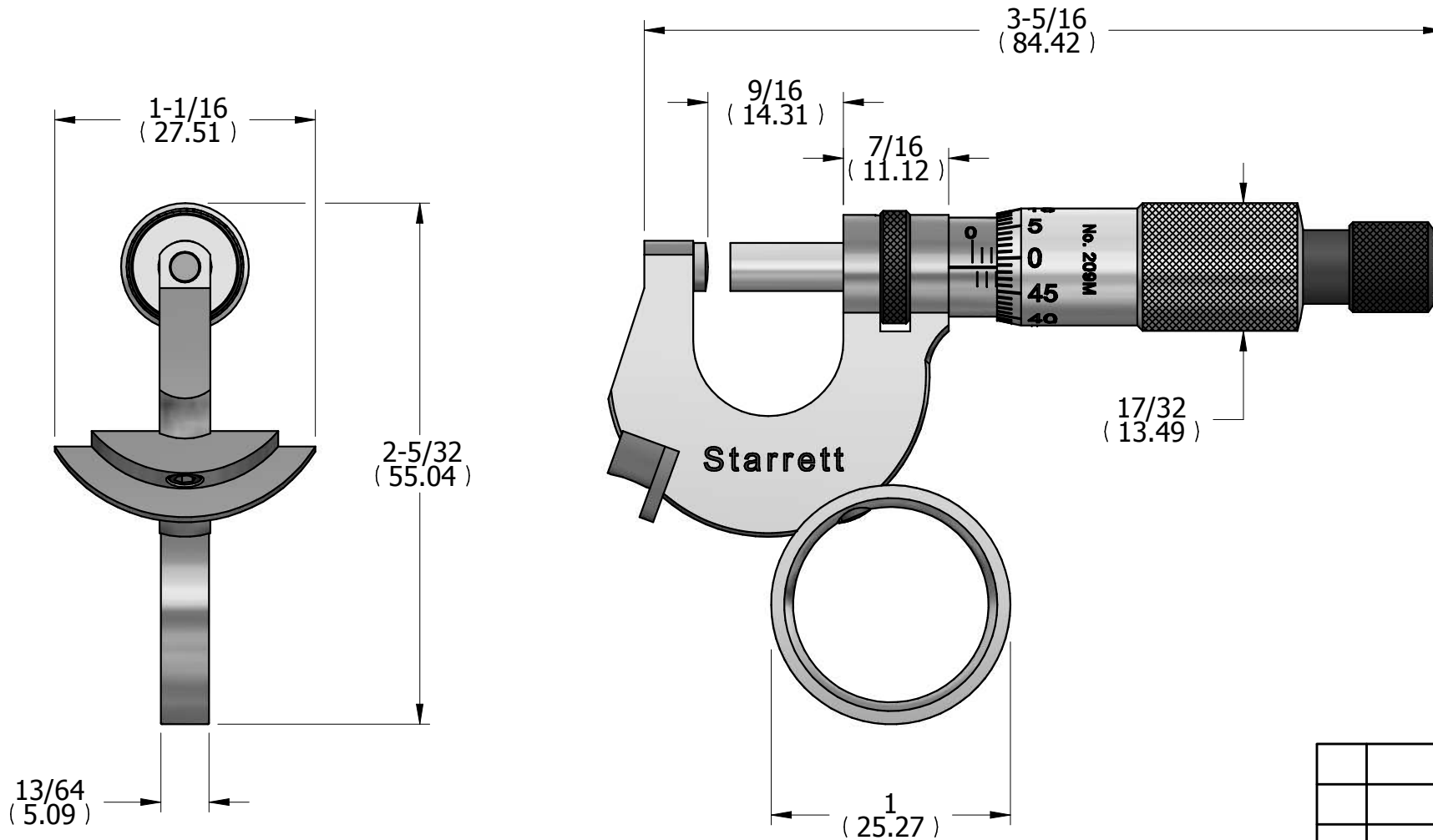
CUSTOMER DIMENSIONS

DO NOT  
SEPARATE  
PRINT FROM  
WORK

LOT NO

OPER

TOOLS




REV	DESCRIPTION	DATE	BY
-----	-------------	------	----

DR	CAP	CHK	DATE 1/15/15
----	-----	-----	--------------

**CAN-CURL MICROMETER  
METRIC ASSEMBLY**

FRACTIONAL TOLERANCE +- 1/64 UNLESS OTHERWISE NOTED

**THE L.S. STARRETT CO.  
ATHOL, MASS.**