

SH. 1
OF 1

CAT NO

209RL

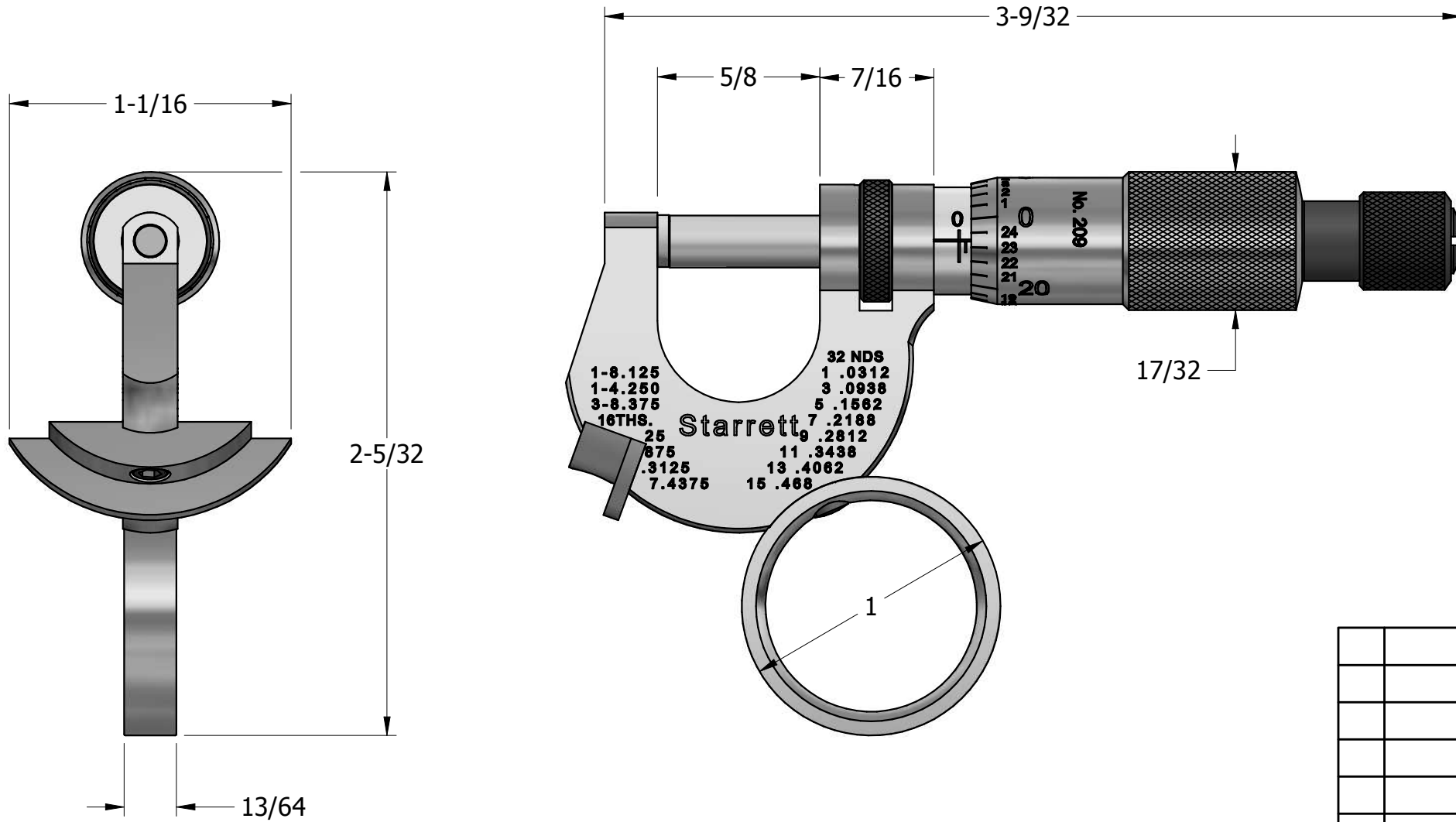
CUSTOMER DIMENSIONS

DO NOT
SEPARATE
PRINT FROM
WORK

LOT NO

OPER

TOOLS



A	DRAWN IN SOLID EDGE	5/5/12	CAP
REV	DESCRIPTION	DATE	BY
DR	RBW	CHK	DATE

CAN-CURL MICROMETER
ASSEMBLY

THE L.S. STARRETT CO.
ATHOL, MASS.

FRACTIONAL TOLERANCE +- 1/64 UNLESS OTHERWISE NOTED