

SH. 1
OF 1

CAT NO

229E

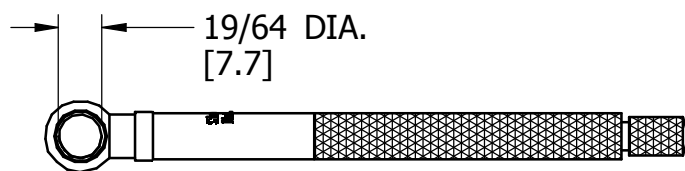
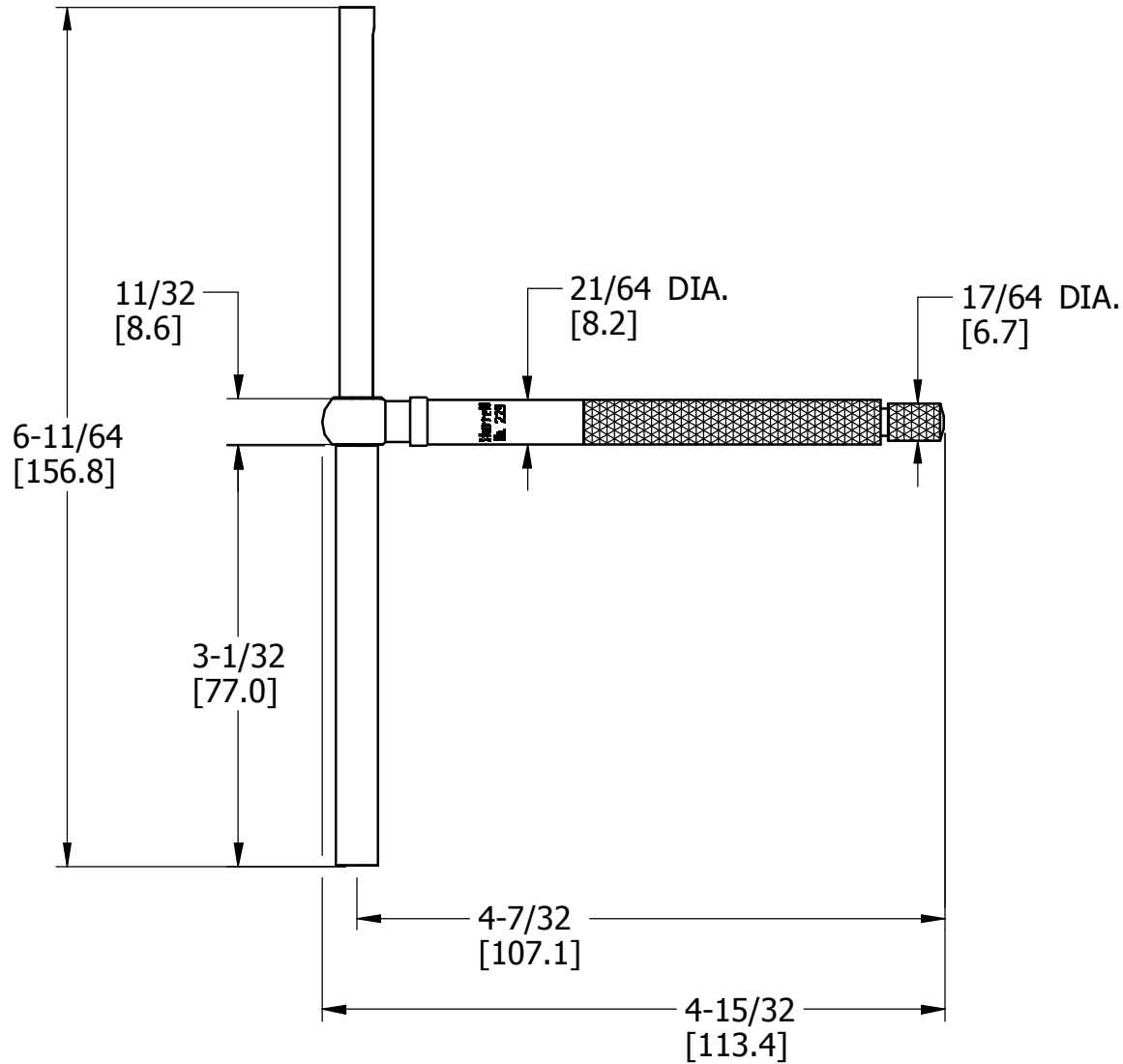
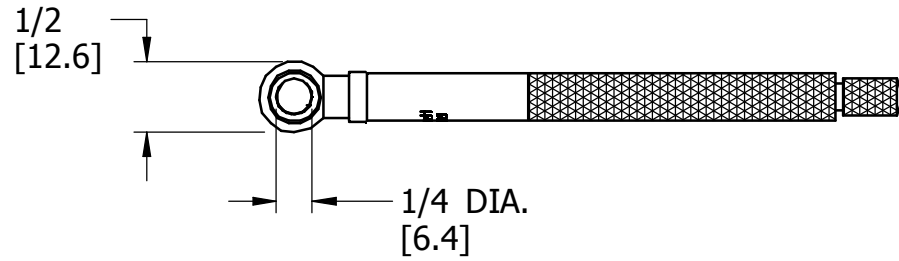
CUSTOMER DIMENSIONS

DO NOT
SEPARATE
PRINT FROM
WORK

LOT NO

OPER

TOOLS



FRACTIONAL TOLERANCE $\pm 1/64$ UNLESS OTHERWISE NOTED

REV	DESCRIPTION	DATE	BY

DR	PBM	CHK	DATE

3-1/2" - 6"
TELESCOPING GAGE
ASSEMBLY

THE L.S. STARRETT CO.
ATHOL, MASS.