

SH. 1
OF 1

CAT NO

248

SIZE

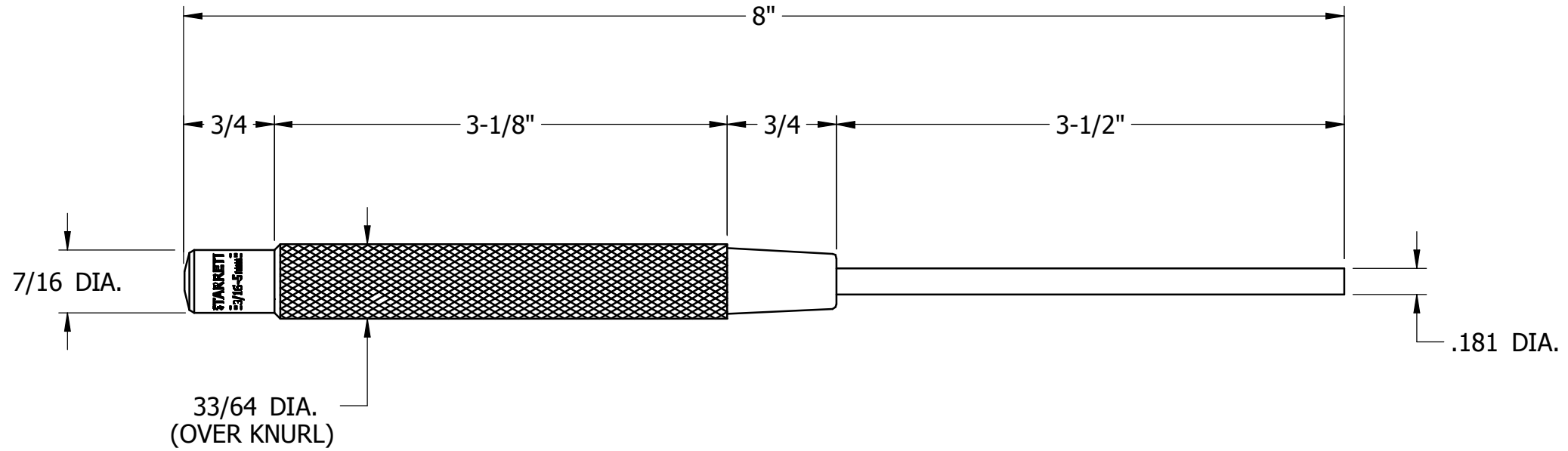
B

DO NOT
SEPARATE
PRINT FROM
WORK

LOT NO

OPER

TOOLS



REV	DESCRIPTION	DATE	BY
-----	-------------	------	----

DR	HLS	CHK	DATE
----	-----	-----	------

3/16" DRIVE PIN PUNCH
ASSEMBLY

THE L.S. STARRETT CO.
ATHOL, MASS.

FRACTIONAL TOLERANCE +- 1/64 UNLESS OTHERWISE NOTED