

SH. 1
OF 1

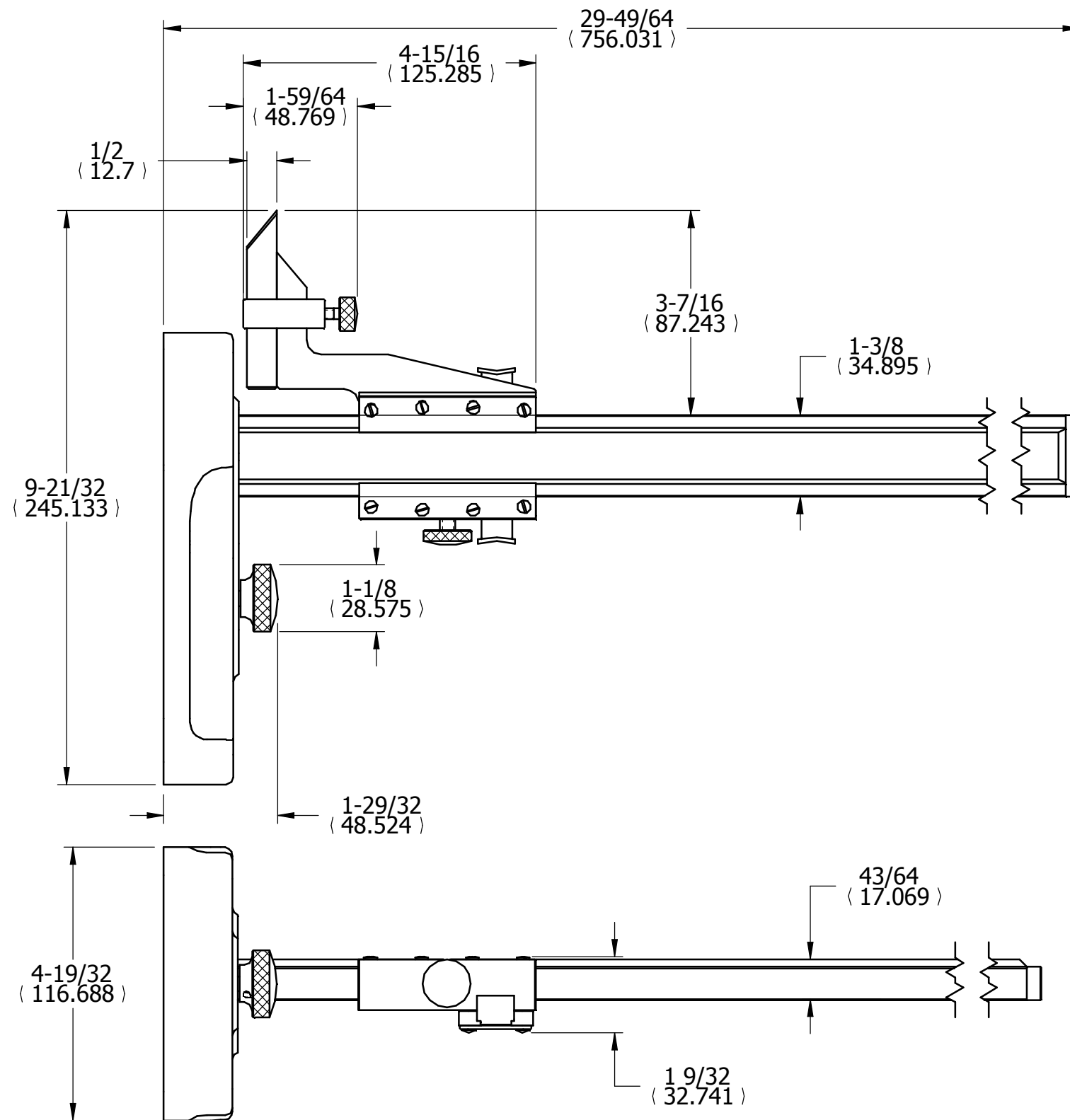
CAT NO

254EMZ-24

CUSTOMER DIMENSIONS

DO NOT
SEPARATE
PRINT FROM
WORK

LOT NO



FRACTIONAL TOLERANCE $\pm 1/64$ UNLESS OTHERWISE NOTED

REV	DESCRIPTION	DATE	BY
-----	-------------	------	----

DR	WRB	CHK	DATE
----	-----	-----	------

MASTER HEIGHT GAGE

THE L.S. STARRETT CO.
ATHOL, MASS.