

SH. 1
OF 1

CAT NO

25MSB

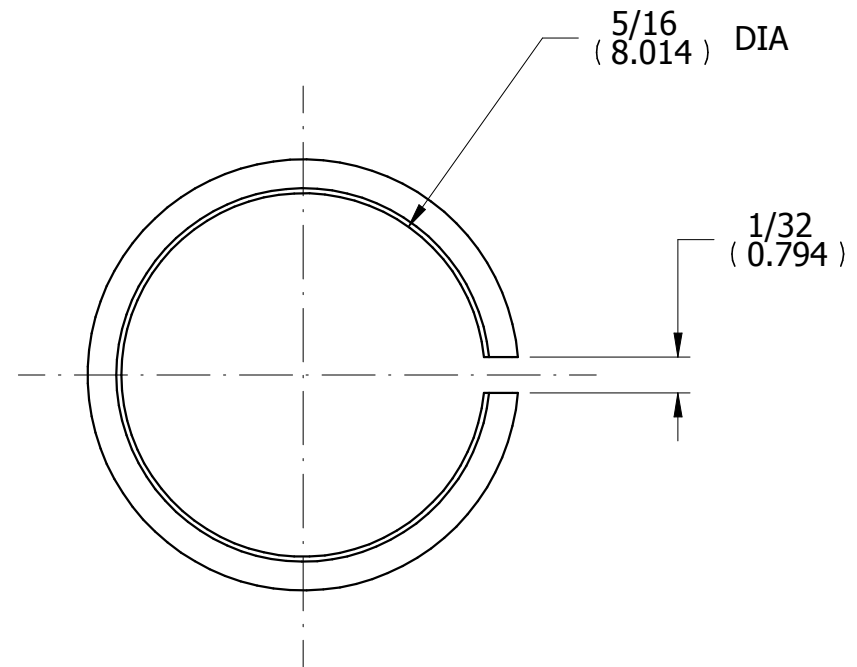
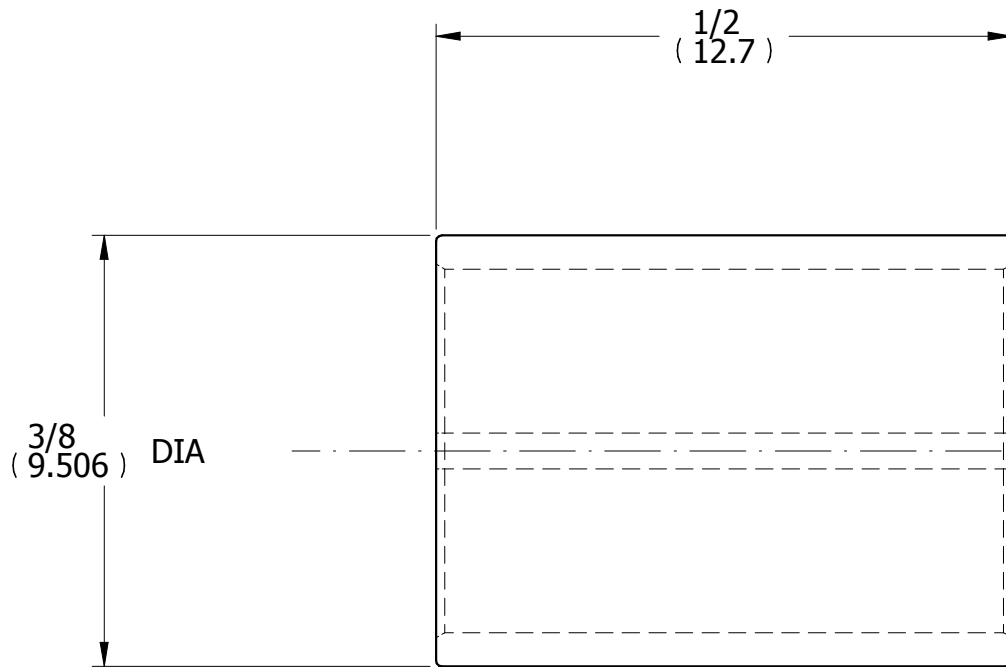
CUSTOMER DIMENSIONS

DO NOT
SEPARATE
PRINT FROM
WORK

LOT NO

OPER

TOOLS



REV	DESCRIPTION	DATE	BY
-----	-------------	------	----

DR	HB	CHK	DATE
----	----	-----	------

INDICATOR ACCESSORY
SPLIT STEM BUSHING
FOR - 8mm INSIDE DIA.

~~3/8" OUTSIDE DIA.~~
THE U.S. STARRETT CO.
ATHOL, MASS.

FRACTIONAL TOLERANCE $\pm 1/64$ UNLESS OTHERWISE NOTED