

SH. 1
OF 1

CAT NO

25W

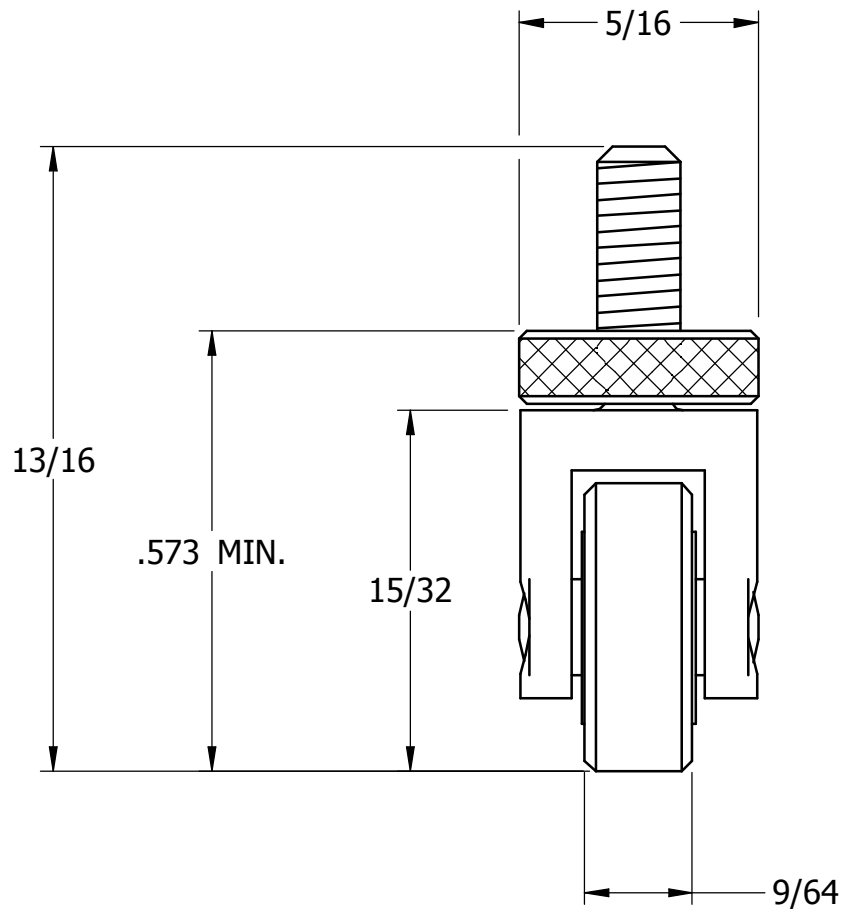
CUSTOMER DIMENSIONS

DO NOT
SEPARATE
PRINT FROM
WORK

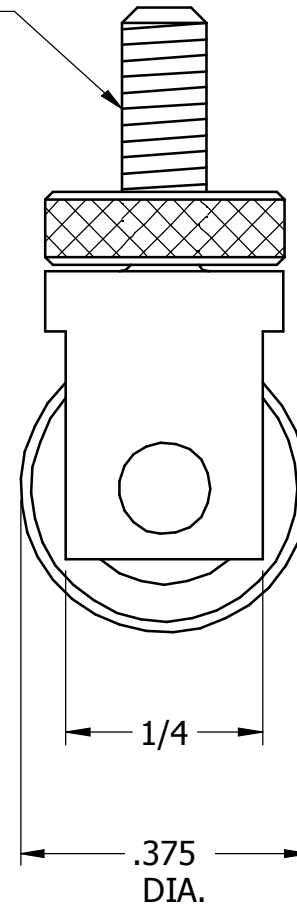
LOT NO

OPER

TOOLS



#4-48 THREAD



REV	DESCRIPTION	DATE	BY
DR	BJA	CHK	DATE

**DIAL INDICATOR
3/8" DIA ROLLER
CONTACT POINT**

**THE L.S. STARRETT CO.
ATHOL, MASS.**

FRACTIONAL TOLERANCE $\pm 1/64$ UNLESS OTHERWISE NOTED