

SH. 1  
OF 1

CAT NO

653GMJ

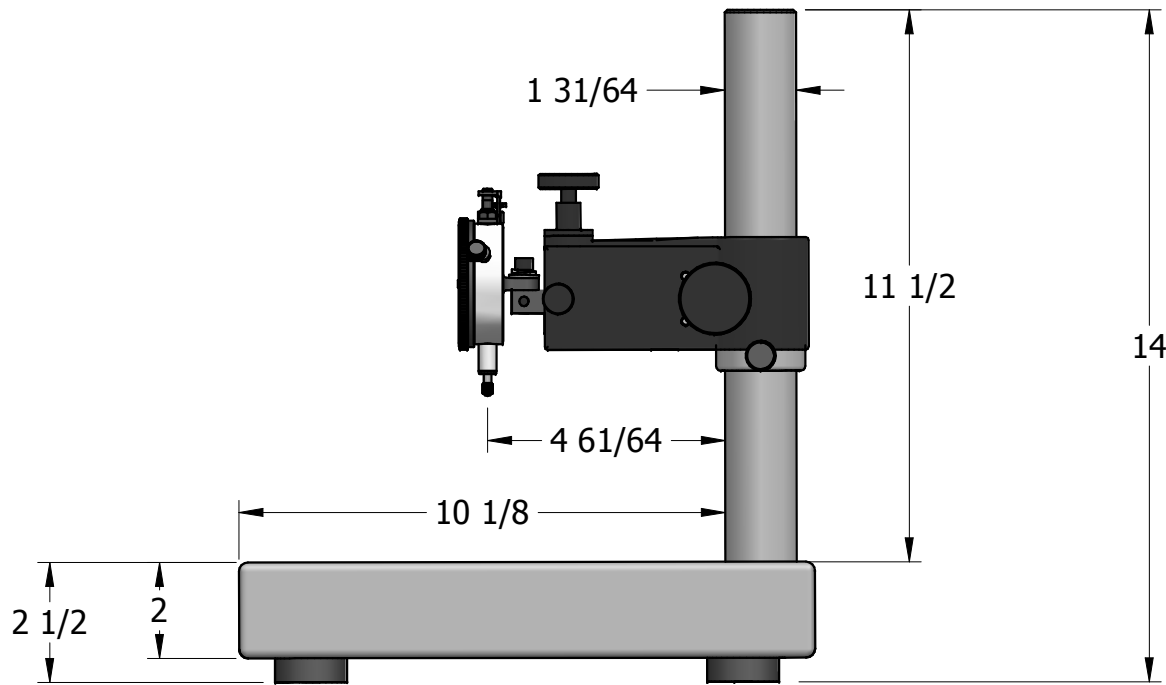
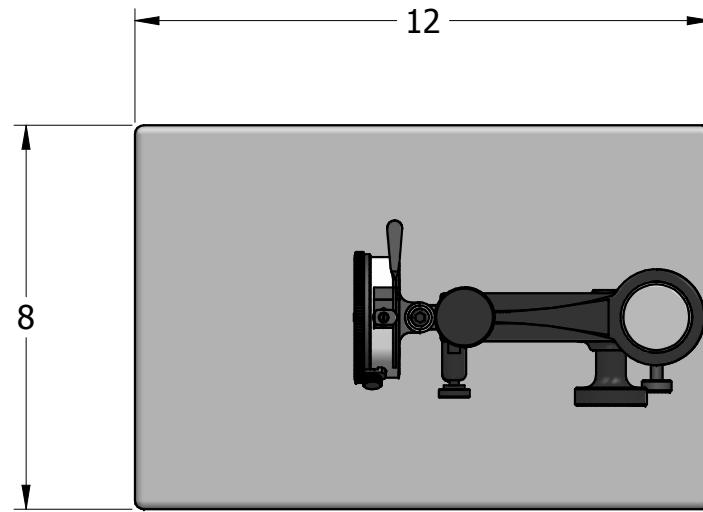
CUSTOMER DIMENSIONS

DO NOT  
SEPARATE  
PRINT FROM  
WORK

LOT NO

OPER

TOOLS




REV	DESCRIPTION	DATE	BY
-----	-------------	------	----

DR 653	CHK	DATE	
--------	-----	------	--

DIAL INDICATOR COMPARATOR  
GRANITE BASE - METRIC  
(VERTICLE ADJUSTMENT)

THE L.S. STARRETT CO.  
ATHOL, MASS.

FRACTIONAL TOLERANCE +- 1/64 UNLESS OTHERWISE NOTED