

SH. 1
OF 1

CAT NO

659AZ

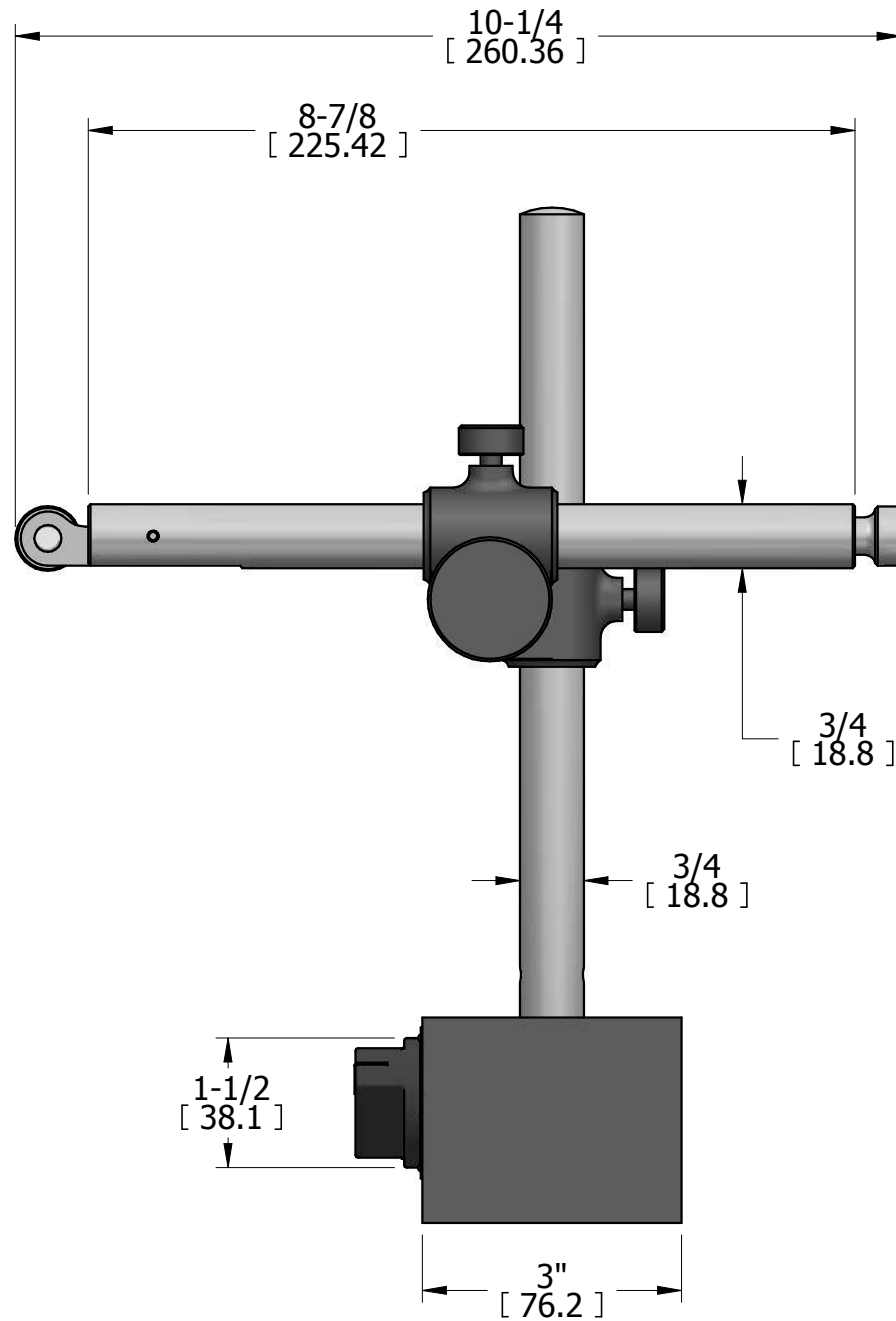
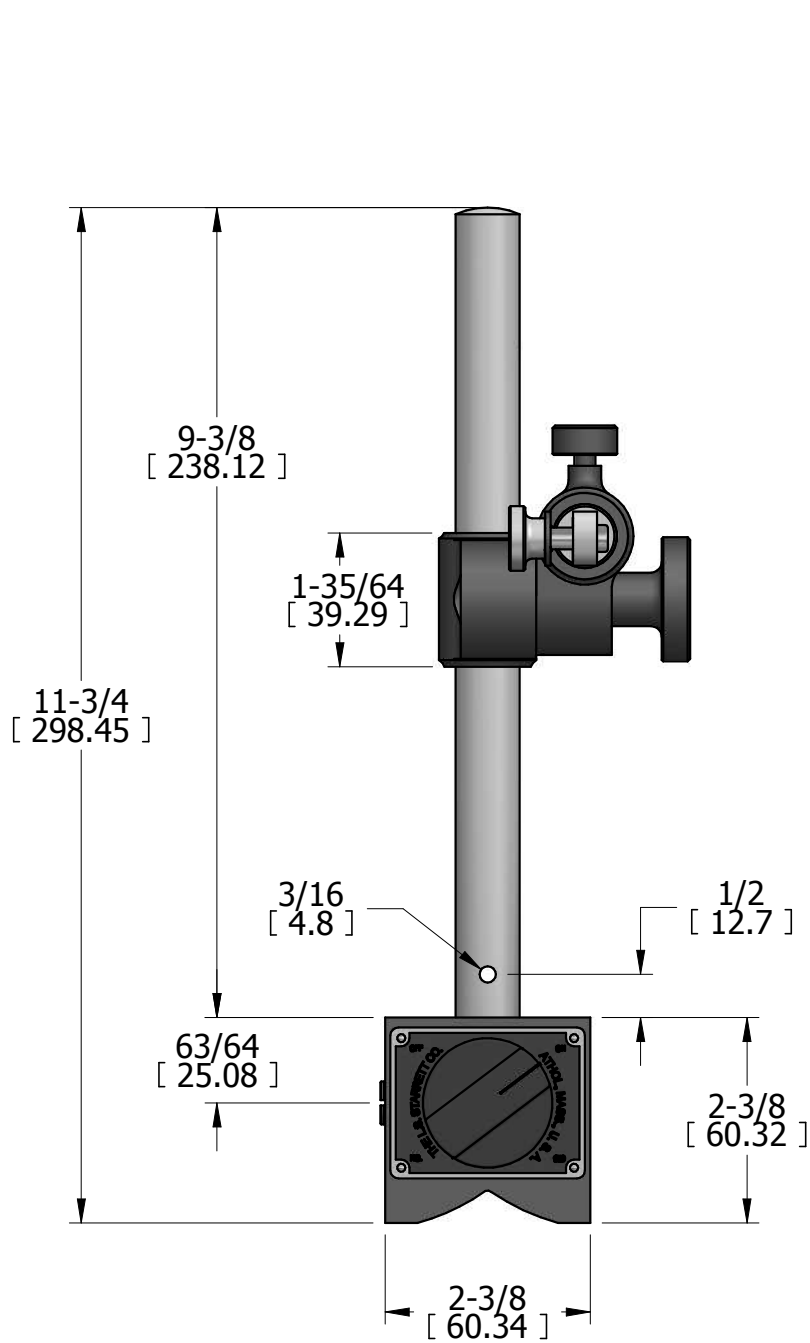
CUSTOMER DIMENSIONS

DO NOT
SEPARATE
PRINT FROM
WORK

LOT NO

OPER

TOOLS



REV	DESCRIPTION	DATE	BY
-----	-------------	------	----

DR	DSP	CHK	DATE
----	-----	-----	------

MAGNETIC BASE
ASSEMBLY
IN CASE

THE L.S. STARRETT CO.
ATHOL, MASS.

[MM]

FRACTIONAL TOLERANCE +- 1/64 UNLESS OTHERWISE NOTED