

SH. 1
OF 1

CAT NO

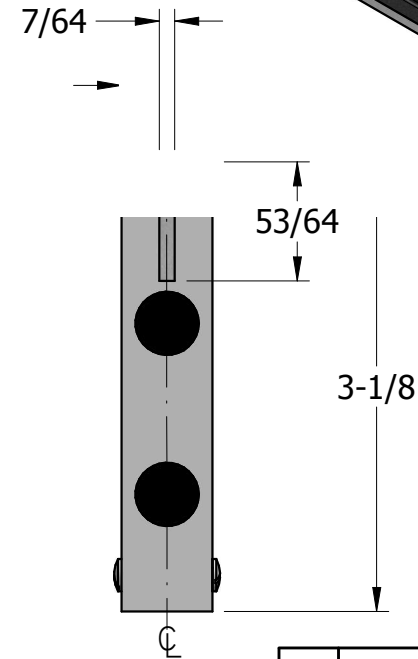
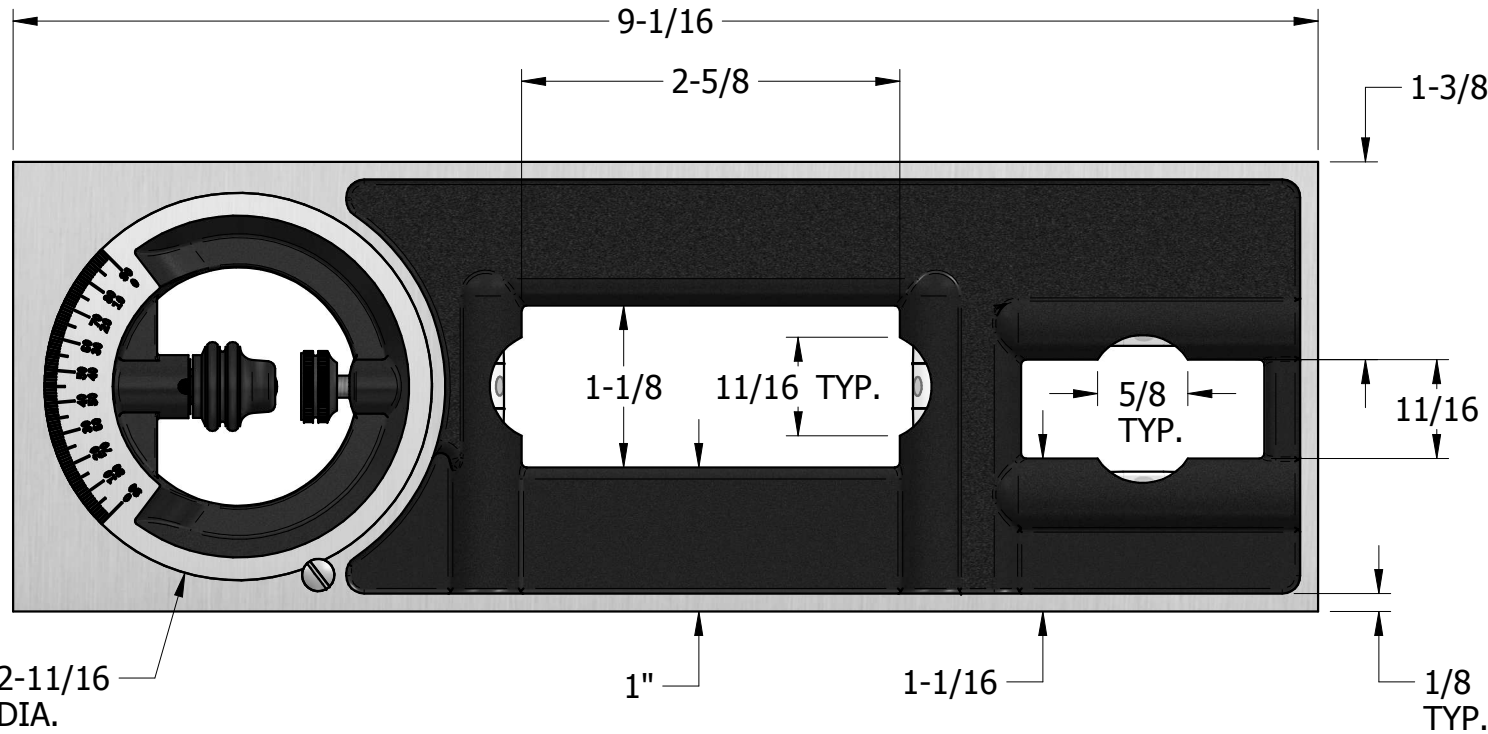
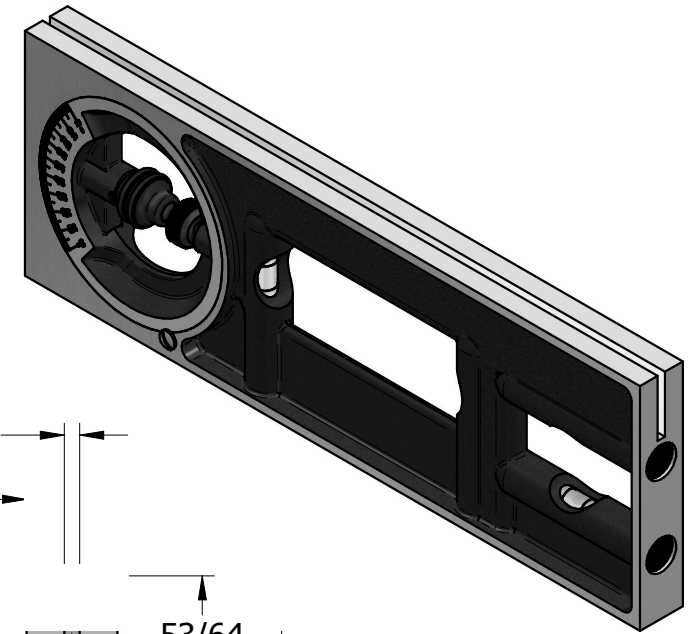
H439

CUSTOMER DIMENSIONS

DO NOT
SEPARATE
PRINT FROM
WORK

LOT NO

STOCK: 9" (230mm) LONG
GRADS: 0-12" PER FT. (1/2 PITCH INCREMENTS)
0-90° BOTH DIRECTIONS



REV	DESCRIPTION	DATE	BY
-----	-------------	------	----

DR	BMD	CHK	DATE
----	-----	-----	------

SQUARE
HEAD

THE L.S. STARRETT CO.
ATHOL, MASS.

FRACTIONAL TOLERANCE $\pm 1/64$ UNLESS OTHERWISE NOTED