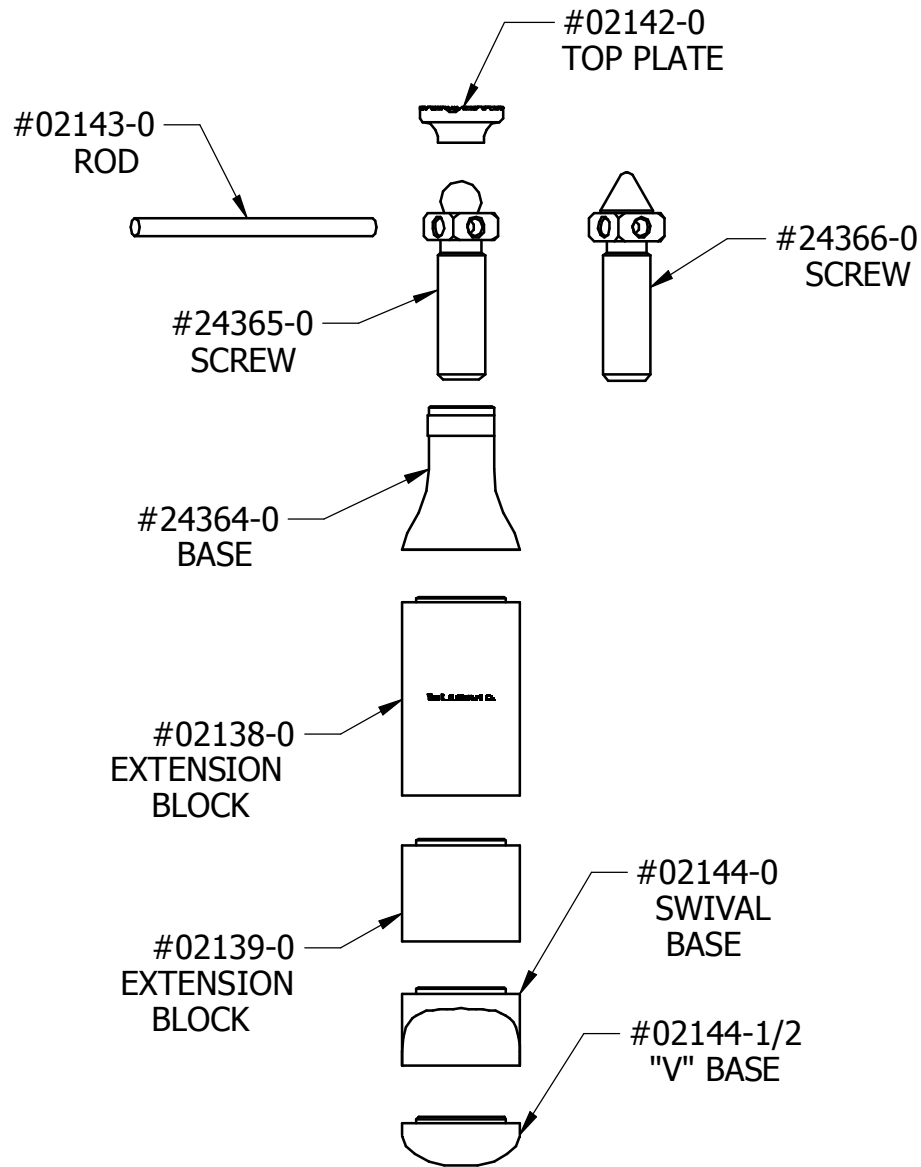


OPER

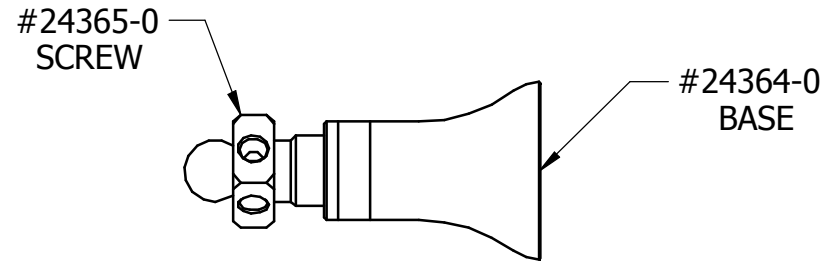
TOOLS



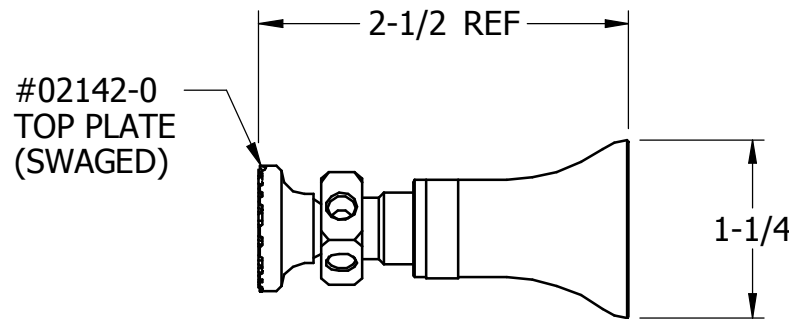
COMPLETE SET

RANGE = 2-1/4 - 3-3/8"

MAX HEIGHT = 6-3/8"



OPERATION No 3
SUB-ASSEMBLY



OPERATION No 3-2
SUB-ASSEMBLY

B			
REV	DESCRIPTION	DATE	BY
DR	CAP	CHK	DATE

**"LITTLE GIANT"
W/FINE ADJUSTING SCREW
AND ALL ATTACHMENTS**

**THE L.S. STARRETT CO.
ATHOL, MASS.**